



US00D981667S

(12) **United States Design Patent**
Ebrahimi Afrouzi

(10) **Patent No.:** **US D981,667 S**
(45) **Date of Patent:** **** Mar. 21, 2023**

- (54) **DISPLAY SCREEN WITH USER INPUTS**
- (71) Applicant: **Ali Ebrahimi Afrouzi**, San Diego, CA (US)
- (72) Inventor: **Ali Ebrahimi Afrouzi**, San Diego, CA (US)
- (**) Term: **15 Years**
- (21) Appl. No.: **29/709,051**
- (22) Filed: **Oct. 10, 2019**

D665,547 S *	8/2012	Nam	D32/21
D772,727 S *	11/2016	Silvera	D10/22
D843,671 S *	3/2019	Chei	D32/21
D844,645 S *	4/2019	Ebrahimi Afrouzi	D14/488
D872,953 S *	1/2020	Ebrahimi Afrouzi	D32/21
D890,457 S *	7/2020	Pearce	D32/21
D913,174 S *	3/2021	Kim	D12/192
D917,808 S *	4/2021	Kim	D32/21
D917,809 S *	4/2021	Kim	D32/21
D921,310 S *	6/2021	Kim	D32/21
D926,400 S *	7/2021	Kim	D32/21
D928,732 S *	8/2021	Ehrensward	D13/182
D932,123 S *	9/2021	Li	D32/21
D948,143 S *	4/2022	Pearce	D32/21
D967,094 S *	10/2022	Jones	D14/385

Related U.S. Application Data

- (63) Continuation-in-part of application No. 29/637,466, filed on Feb. 19, 2018, now abandoned.
- (51) **LOC (14) Cl.** **15-05**
- (52) **U.S. Cl.**
USPC **D32/21**
- (58) **Field of Classification Search**
USPC D32/21, 23, 24, 31; D14/203.7, 379, D14/388, 389
CPC ... E04H 4/1654; E04H 4/1663; E04H 4/1672; A47L 9/2842; A47L 9/2636; A47L 9/2852; G06N 3/008; G05D 1/0225
See application file for complete search history.

* cited by examiner

Primary Examiner — Daniel J Domino

(56) **References Cited**

U.S. PATENT DOCUMENTS

D452,250 S *	12/2001	Chan	D14/203.7
D548,902 S *	8/2007	Chun	D32/21

(57) **CLAIM**

The ornamental design for a display screen with user inputs, as shown and described.

DESCRIPTION

FIG. 1 illustrates a top plan view of a display screen with user inputs; and, FIG. 2 illustrates a top perspective view thereof. The broken lines illustrate environmental structures and form no part of the claimed design.

1 Claim, 2 Drawing Sheets

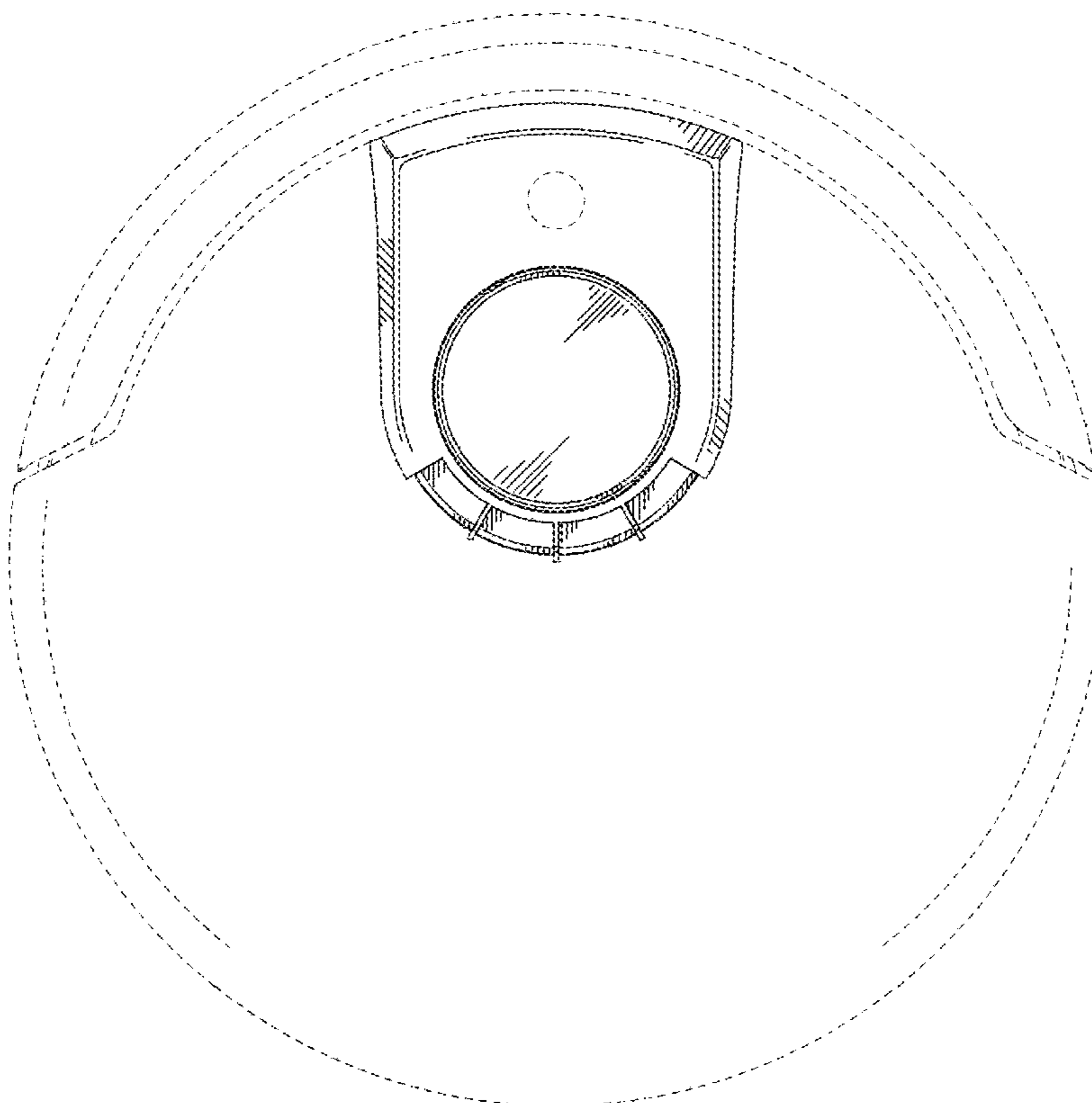


FIG. 1

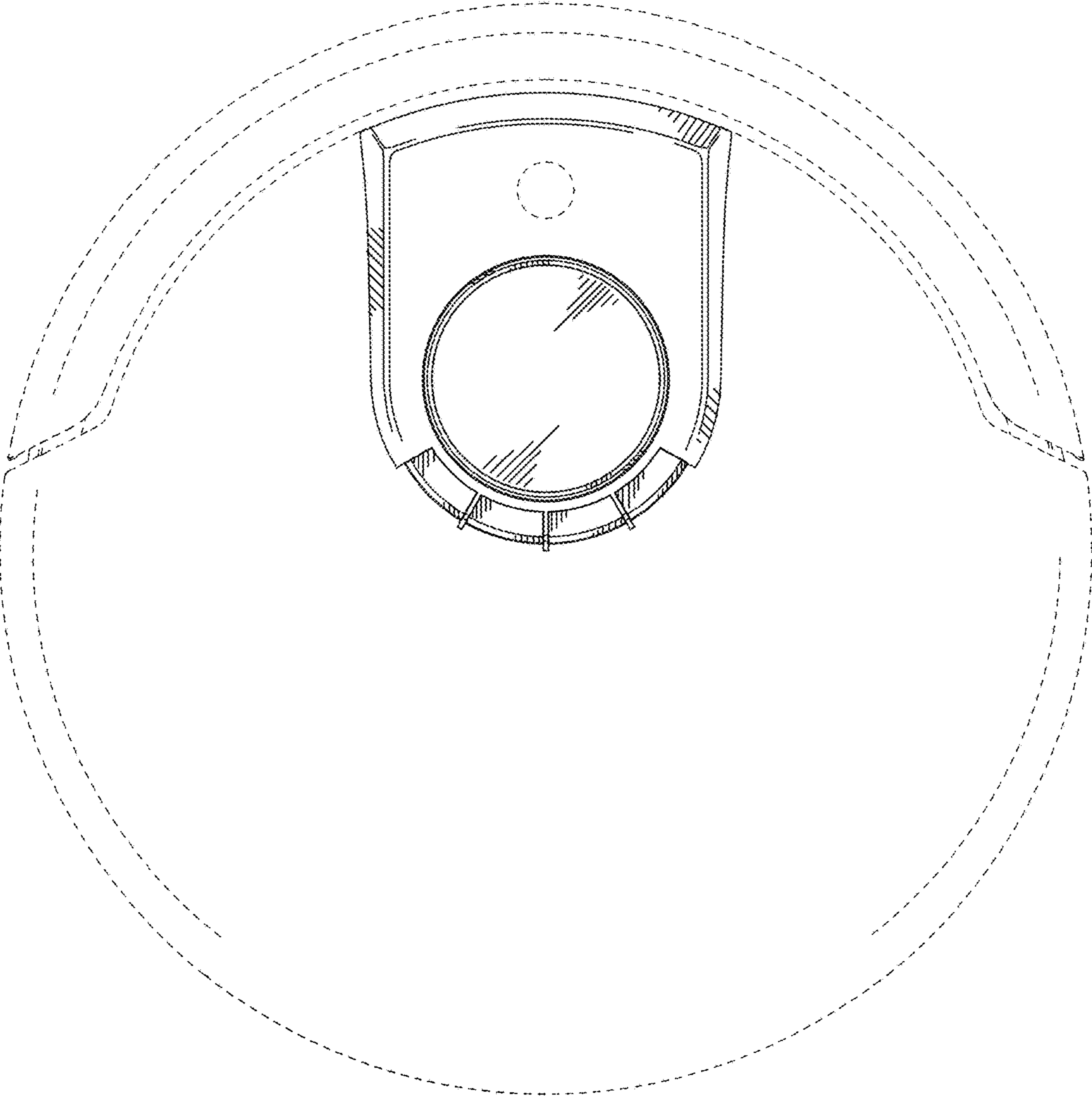


FIG. 2

