



US00D981666S

(12) **United States Design Patent**
Zhong et al.

(10) **Patent No.:** **US D981,666 S**
(45) **Date of Patent:** **** Mar. 21, 2023**

(54) **HAND-HELD VACUUM CLEANER**

(71) Applicant: **AUKEY TECHNOLOGY CO., LTD,**
Shenzhen (CN)

(72) Inventors: **Xiaomin Zhong,** Shenzhen (CN); **Bo Du,** Shenzhen (CN)

(73) Assignee: **AUKEY TECHNOLOGY CO., LTD,**
Shenzhen (CN)

(**) Term: **15 Years**

(21) Appl. No.: **29/796,152**

(22) Filed: **Jun. 23, 2021**

(51) **LOC (14) Cl.** **15-05**

(52) **U.S. Cl.**
USPC **D32/18**

(58) **Field of Classification Search**
USPC D32/15–25, 30–34
CPC ... A47L 5/24; A47L 5/26; A47L 5/367; A47L
7/0076; A47L 7/008; A47L 9/2857; A47L
9/32; A47L 9/322; A47L 9/1608
See application file for complete search history.

(56) **References Cited**

U.S. PATENT DOCUMENTS

D294,412 S * 2/1988 Sadashima D32/18
D653,008 S * 1/2012 Houghton D32/18

D720,101 S * 12/2014 Erlich D32/18
D812,327 S * 3/2018 Houghton D32/18
D918,502 S * 5/2021 Ma D32/18
D922,011 S * 6/2021 Ren D32/21
D941,539 S * 1/2022 Crawley D32/18
11,224,324 B2 * 1/2022 Conrad A47L 9/1608
D952,969 S * 5/2022 Chen D32/18
2021/0093141 A1 * 4/2021 Oka A47L 9/24
2022/0279995 A1 * 9/2022 Conrad A47L 9/1666

* cited by examiner

Primary Examiner — Kimberly Barnes

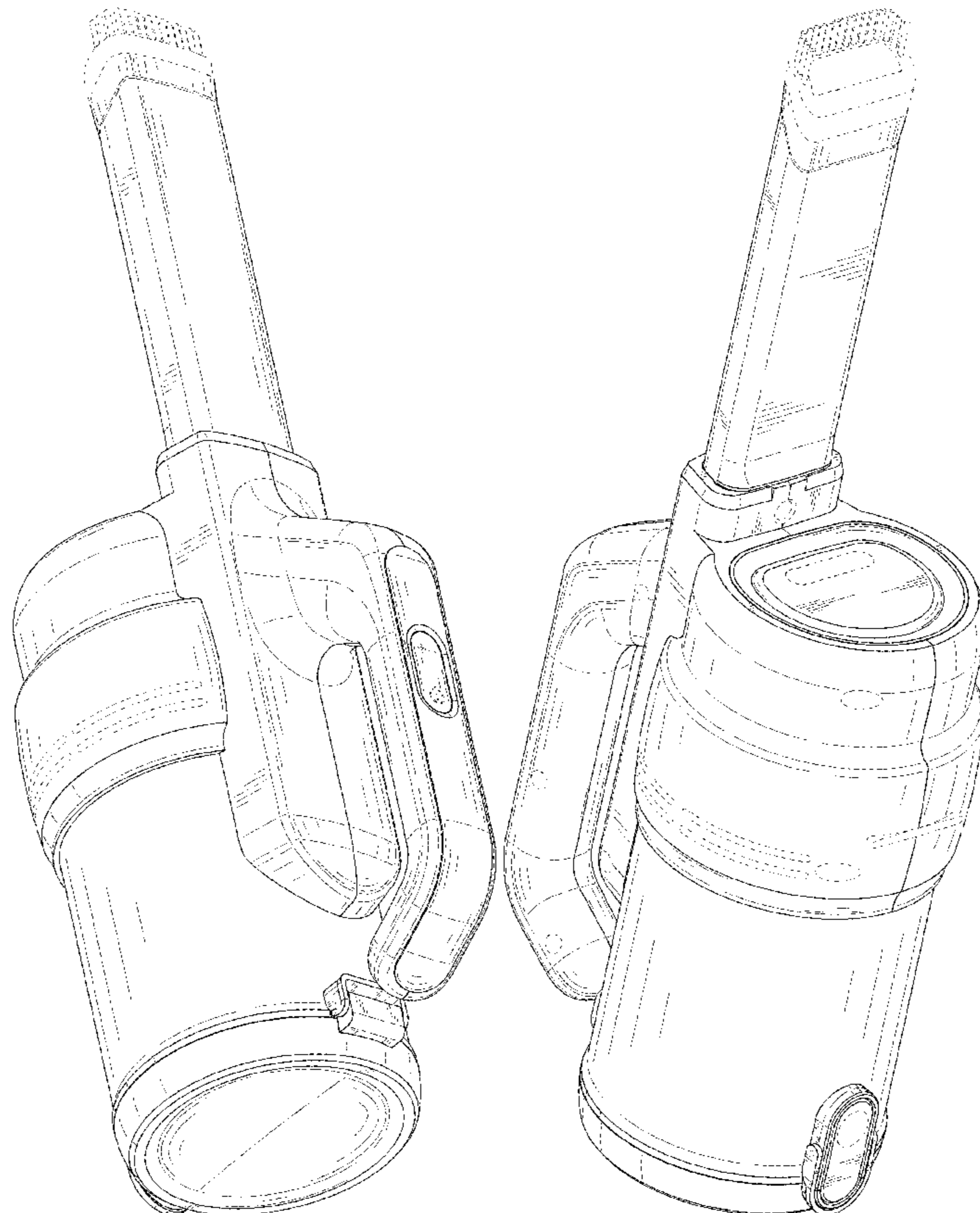
(57) **CLAIM**

The ornamental design for a hand-held vacuum cleaner, as shown and described.

DESCRIPTION

FIG. 1 is a first perspective view of a hand-held vacuum cleaner showing the claimed design in accordance with the present disclosure;
FIG. 2 is a second perspective view thereof;
FIG. 3 is a front elevational view thereof;
FIG. 4 is a rear elevational view thereof;
FIG. 5 is a left side elevational view thereof;
FIG. 6 is a right side elevational view thereof;
FIG. 7 is a top plan view thereof; and,
FIG. 8 is a bottom plan view thereof.
The broken lines in the Figures are for the purpose of illustrating portions of the article that form no part of the claimed design.

1 Claim, 8 Drawing Sheets



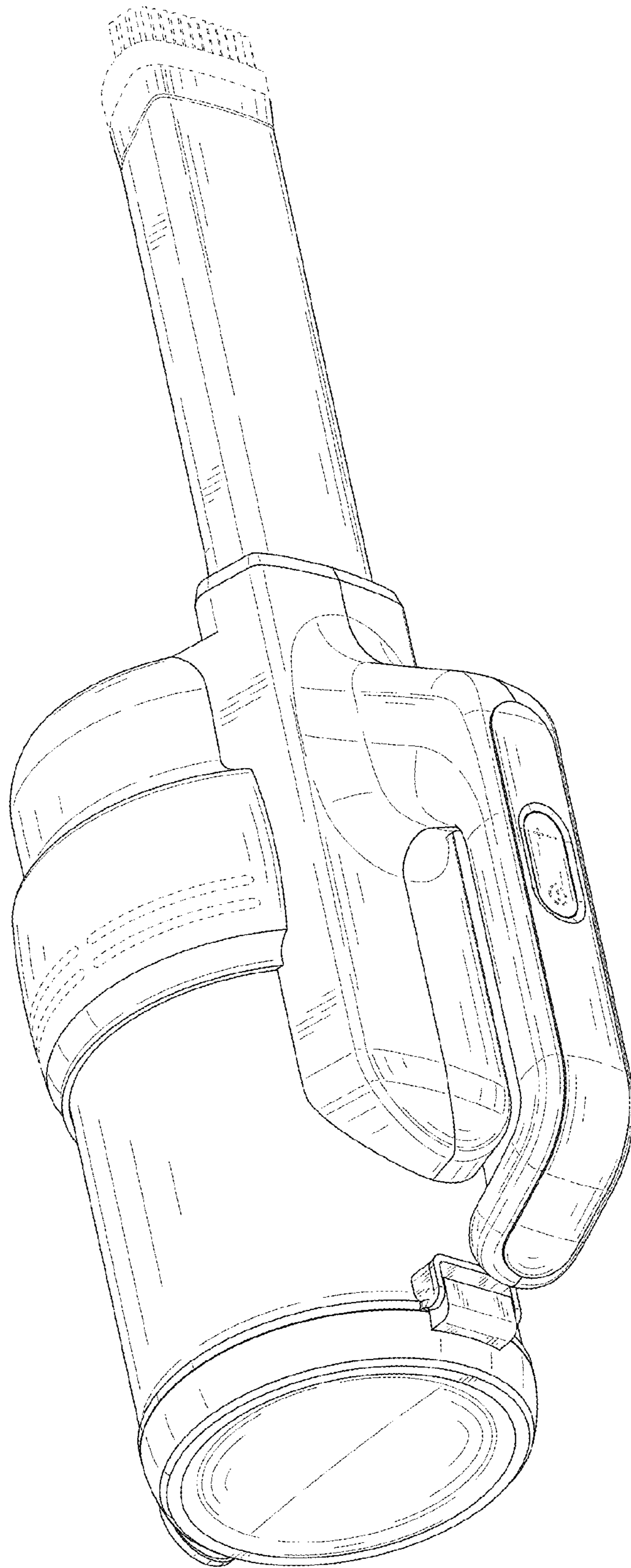


FIG. 1

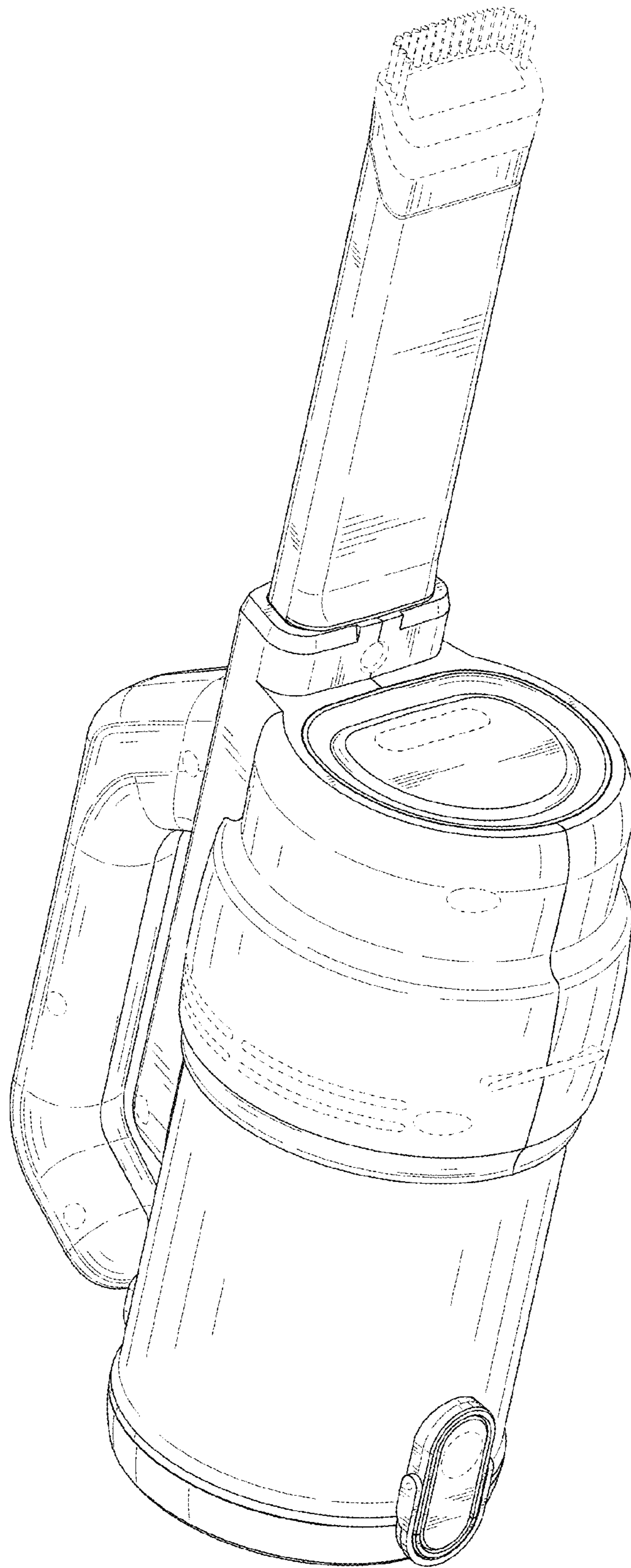


FIG. 2

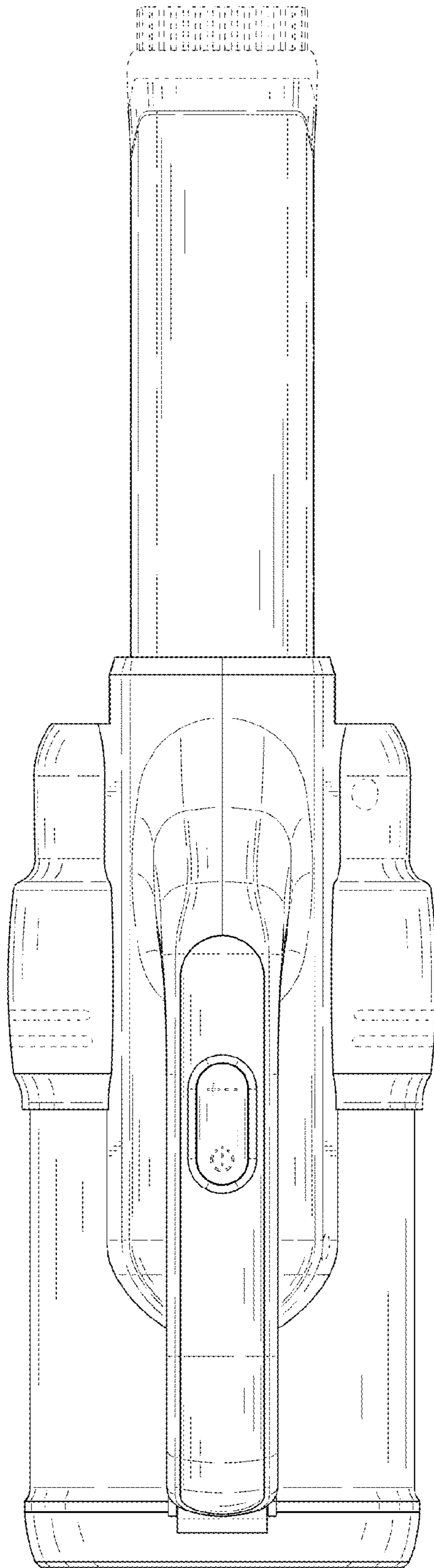


FIG. 3

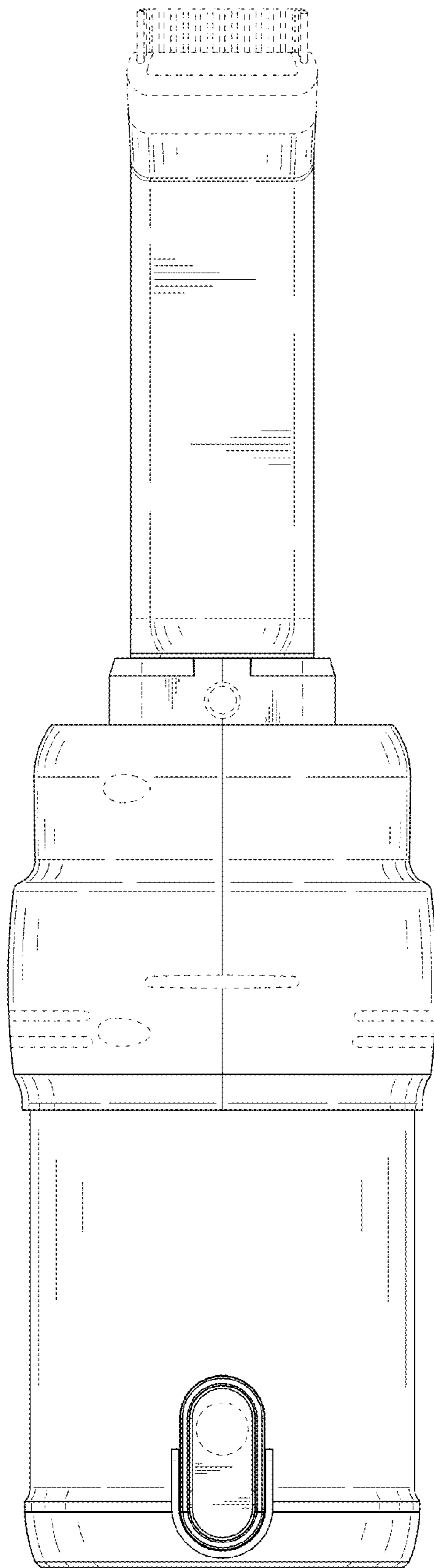


FIG. 4

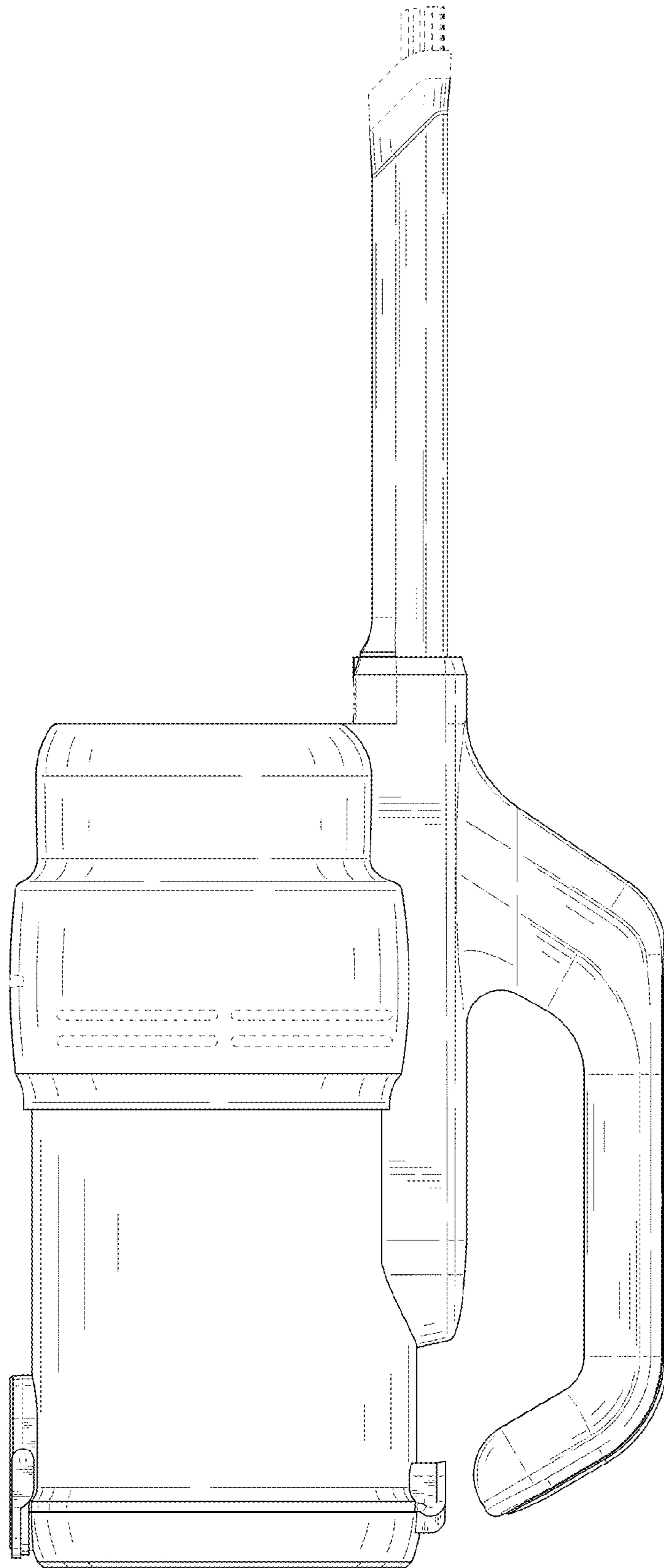


FIG. 5

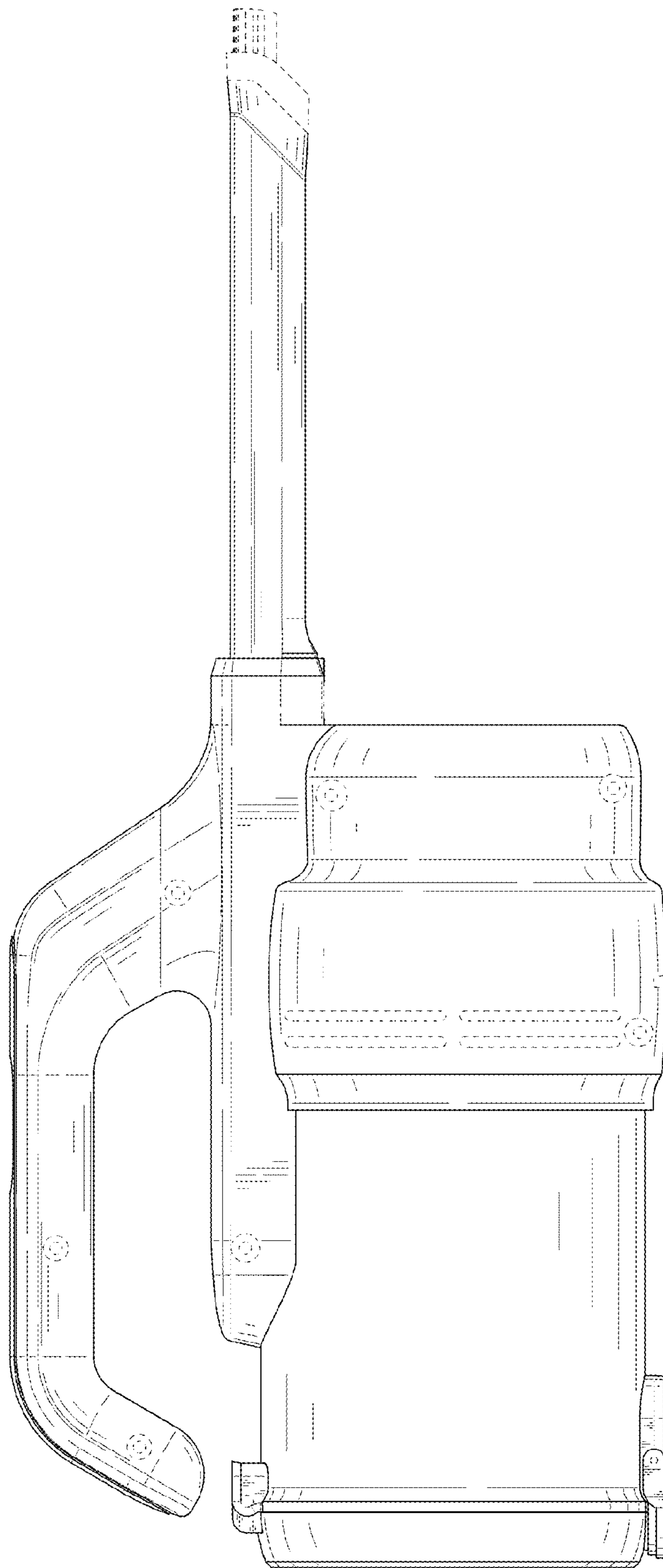


FIG. 6

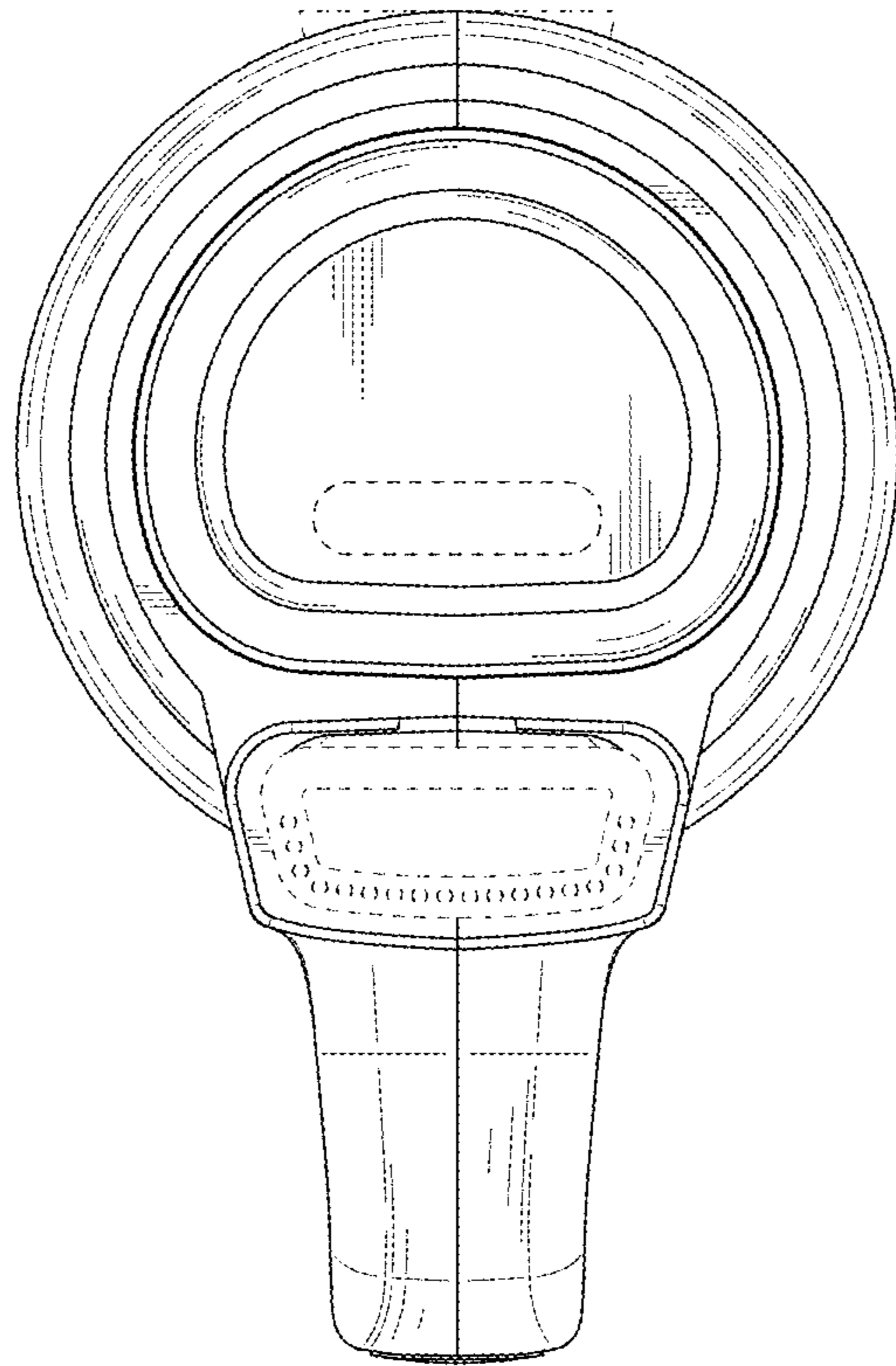


FIG. 7

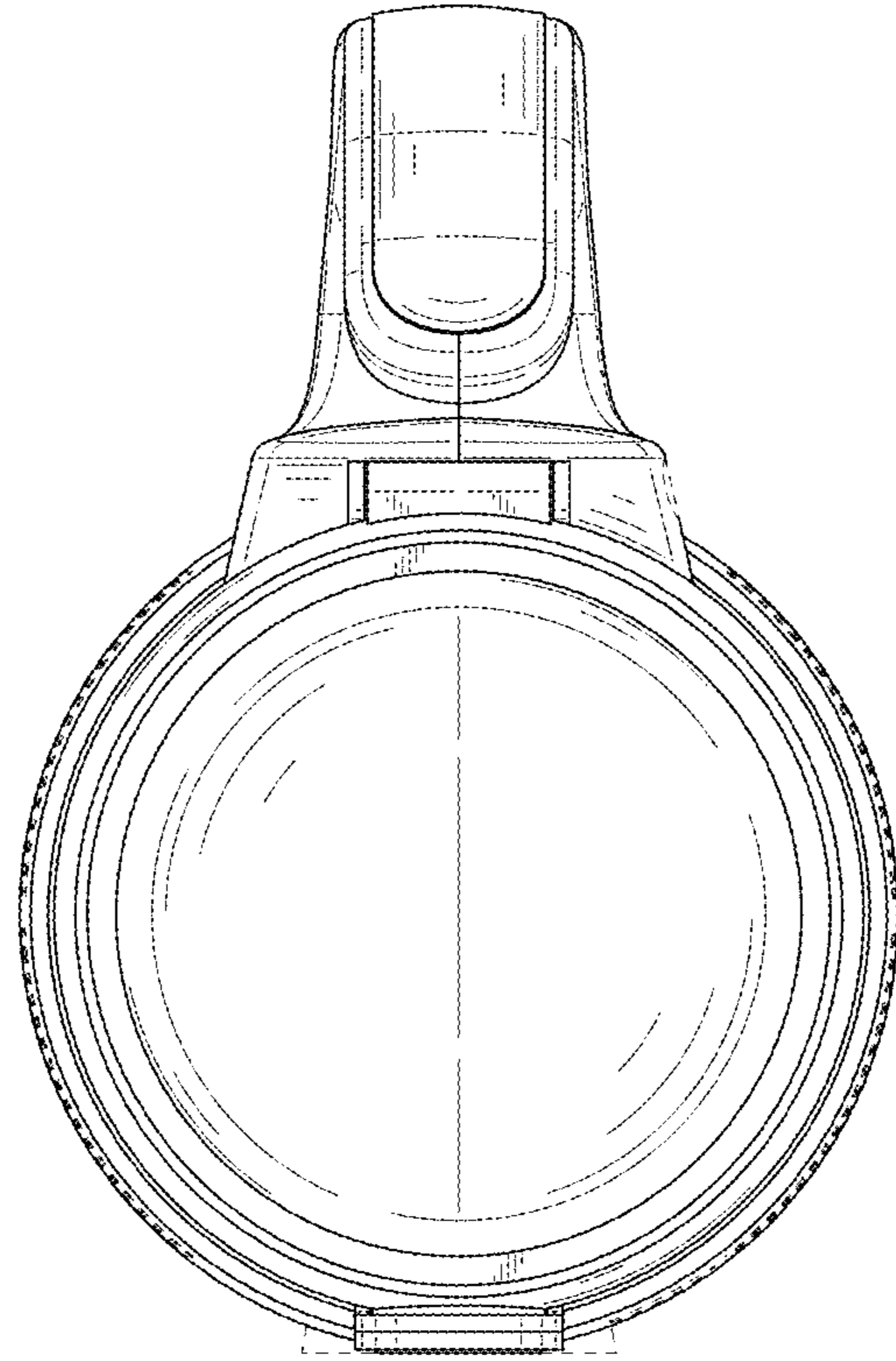


FIG. 8