



US00D981665S

(12) **United States Design Patent**
Nushart et al.

(10) **Patent No.:** **US D981,665 S**
(45) **Date of Patent:** **** Mar. 21, 2023**

(54) **PRESSURE WASHER**

FOREIGN PATENT DOCUMENTS

(71) Applicant: **Generac Power Systems, Inc.**,
Waukesha, WI (US)

AU 2005214976 B2 9/2005
CN 304800810 * 9/2018
EP 1393824 A3 5/2006

(72) Inventors: **Peter J. Nushart**, Waukesha, WI (US);
Matthew P. Fritsch, Madison, WI
(US); **Keith E. Muellenbach**, Madison,
WI (US)

OTHER PUBLICATIONS

(73) Assignee: **Generac Power Systems, Inc.**,
Waukesha, WI (US)

sandpointmarineandmotorsports.com 2021 Generac Pressure Washer
3300 <https://sandpointmarineandmotorsports.com/Pressure-Washers-Generac-Pressure-Washer-3300-psi-3-0-GPM-2021-Ponderay-ID-56dac62b-808d-4ff5-9a51-ad2d007fde05> (Year: 2021).*

(Continued)

(**) Term: **15 Years**

Primary Examiner — Kevin K Rudzinski
Assistant Examiner — Richard E Yenchesky
(74) *Attorney, Agent, or Firm* — Merchant & Gould P.C.

(21) Appl. No.: **29/745,209**

(22) Filed: **Aug. 4, 2020**

(51) **LOC (14) Cl.** **15-05**

(52) **U.S. Cl.**
USPC **D32/15**

(58) **Field of Classification Search**
USPC D32/15-17, 25, 31
CPC B08B 2203/0217; B08B 2203/0211; B08B
2203/0276; B08B 2203/027
See application file for complete search history.

(57) **CLAIM**

The ornamental design for a pressure washer, as shown and described.

DESCRIPTION

(56) **References Cited**

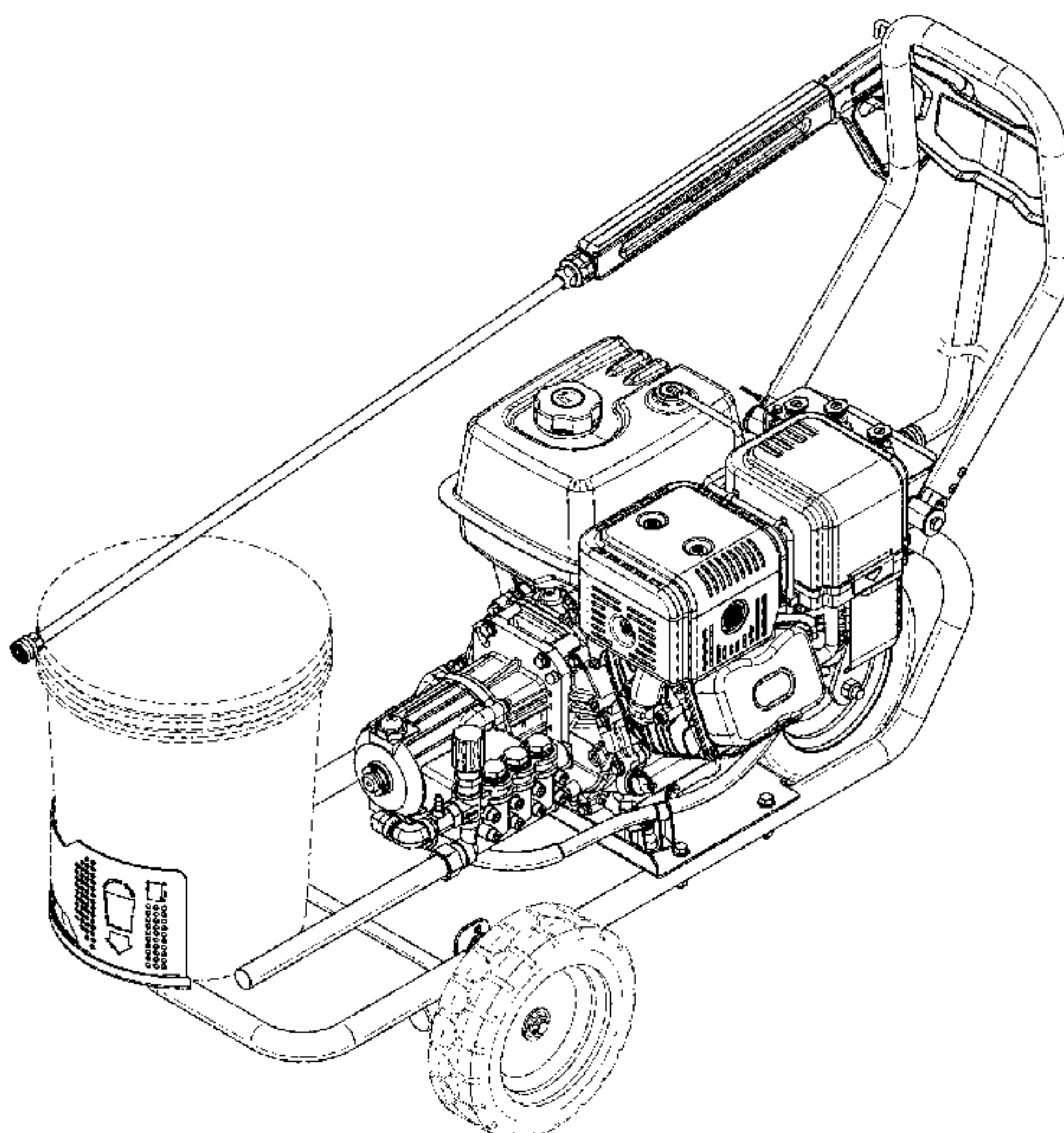
U.S. PATENT DOCUMENTS

D233,545 S * 11/1974 Johns D32/16
5,299,767 A * 4/1994 Simpson B05B 15/00
248/129
6,109,277 A 8/2000 Linton et al.
D467,692 S * 12/2002 Morgan D32/15
6,935,642 B1 * 8/2005 Craig F04B 17/06
280/47.24
D529,670 S * 10/2006 Hendy D32/15
D532,942 S * 11/2006 Busschaert D32/15
7,198,204 B2 4/2007 Bennett et al.
7,406,739 B2 8/2008 Guest et al.
7,562,780 B2 * 7/2009 Gilpatrick B08B 3/026
211/70.6
7,943,040 B2 5/2011 Taylor et al.

FIG. 1 is an isometric view of the pressure washer, and further illustrating a bucket thereon;
FIG. 2 is an isometric view thereof, without the bucket;
FIG. 3 is a rear view thereof;
FIG. 4 is a front view thereof;
FIG. 5 is a right side view thereof;
FIG. 6 is a left side view thereof;
FIG. 7 is a top view thereof;
FIG. 8 is a bottom view thereof; and,
FIG. 9 is a bottom isometric view thereof.
The dashed line showing of a bucket in FIG. 1 represents an exemplary environment and forms no part of the claimed design. The other dashed lines in the Figures depict portions of the pressure washer that form no part of the claimed design.

(Continued)

1 Claim, 9 Drawing Sheets



(56)

References Cited

U.S. PATENT DOCUMENTS

8,480,888 B2 7/2013 Ashley et al.
 8,602,323 B2 12/2013 Bearup et al.
 8,721,805 B2 5/2014 Barrios et al.
 8,783,587 B2 7/2014 Bearup et al.
 8,888,016 B2 11/2014 Linton et al.
 D726,382 S 4/2015 Taylor et al.
 D732,764 S * 6/2015 Kennard D32/15
 D735,959 S 8/2015 Linton et al.
 D740,501 S 10/2015 Taylor et al.
 9,301,661 B2 4/2016 Venard et al.
 9,451,861 B2 9/2016 Pedlar et al.
 9,510,721 B2 12/2016 Pedlar et al.
 9,724,734 B2 8/2017 Linton et al.
 9,877,624 B2 1/2018 Venard et al.
 9,877,625 B2 1/2018 Venard et al.
 D839,512 S 1/2019 Bearup et al.
 10,188,250 B2 1/2019 Venard et al.
 10,888,887 B2 * 1/2021 Masters B05B 7/32
 D925,844 S * 7/2021 Kanchibhotla D32/15
 D927,102 S * 8/2021 Alexander D32/15
 D932,716 S * 10/2021 Duan D32/15
 D933,316 S * 10/2021 Alexander D32/15
 D938,112 S * 12/2021 Masters D32/15
 D938,673 S * 12/2021 Kanchibhotla D32/16
 11,324,165 B2 * 5/2022 Rothrock A01D 43/14
 2006/0064844 A1 3/2006 Venard et al.
 2009/0188535 A1 7/2009 Taylor et al.

2010/0326103 A1 12/2010 Stamm et al.
 2011/0237373 A1 9/2011 Barrios et al.
 2013/0263394 A1 * 10/2013 Larimore B08B 3/024
 15/21.1
 2013/0270359 A1 * 10/2013 Saxton B05B 7/0093
 239/146
 2017/0217356 A1 8/2017 Yim et al.
 2017/0304873 A1 10/2017 Luby et al.
 2017/0340183 A1 11/2017 Pedlar et al.
 2018/0021819 A1 * 1/2018 Schaller B62B 3/04
 134/184
 2018/0110389 A1 4/2018 O’Kane
 2018/0272392 A1 9/2018 Jaramillo et al.
 2018/0274535 A1 9/2018 Jaramillo
 2018/0290180 A1 10/2018 Luby
 2021/0078049 A1 * 3/2021 Nushart E01H 1/101

OTHER PUBLICATIONS

gemplers.com Generac XC3300W 3,300 PSI <https://gemplers.com/products/xc3300w-3300-psi-gas-power-washer><https://gemplers.com/products/xc3300w-3300-psi-gas-power-washer> (Year: 2022). *
 Operator’s Manual of Cordless Go-Anywhere Pressure Washer, Sun Joe Ion, 24 pages, 2016.
 Kärcher North America; K3 Follow Me Pressure Washer; <https://www.kaercher.com/us/home-garden/electic-pressure-washers/k-3-follow-me-16019900.html>; 11 pages, archived copy dated Aug. 19, 2018 obtained from the WaybackMachine at web.archive.org.

* cited by examiner

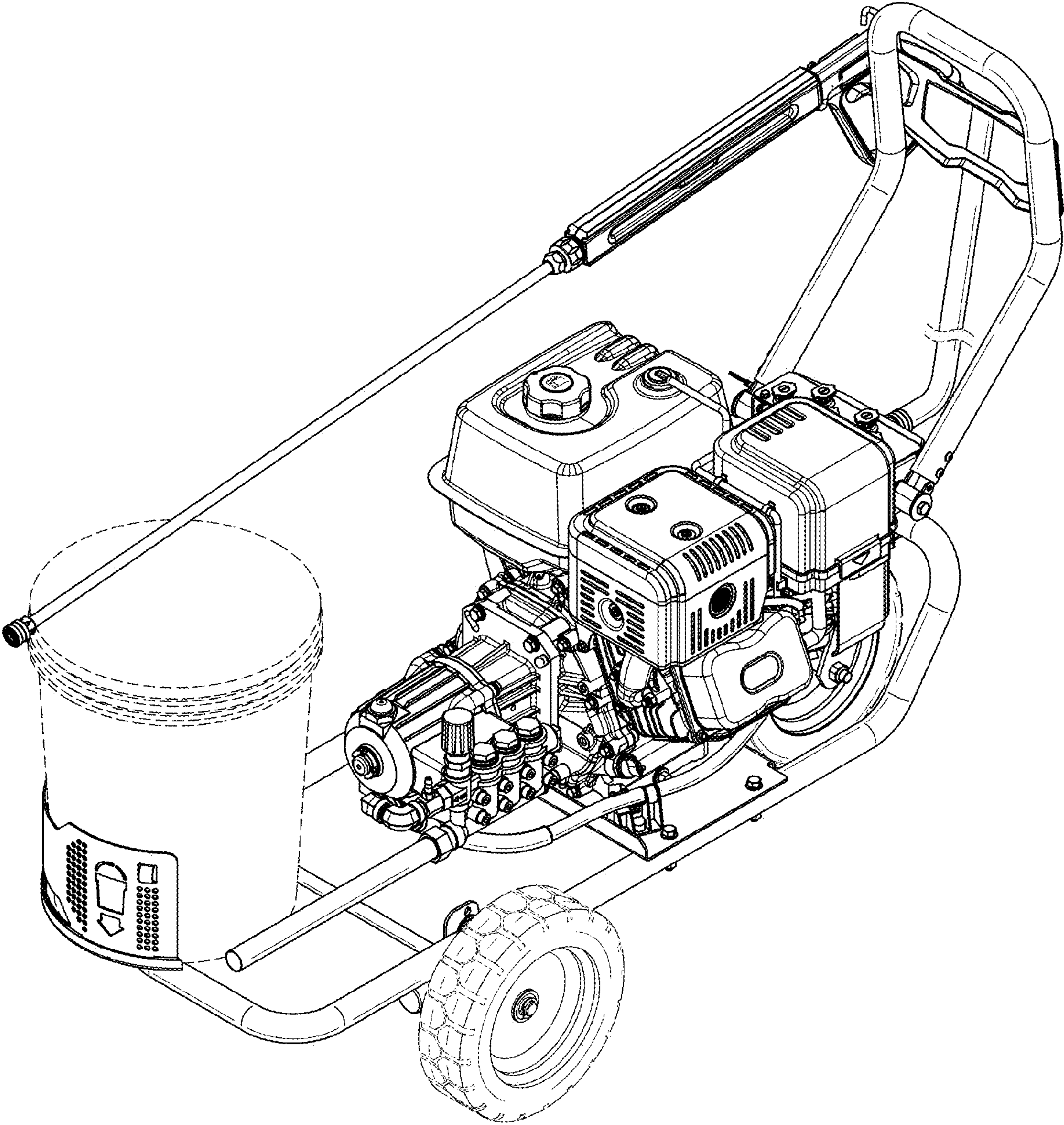


FIG. 1

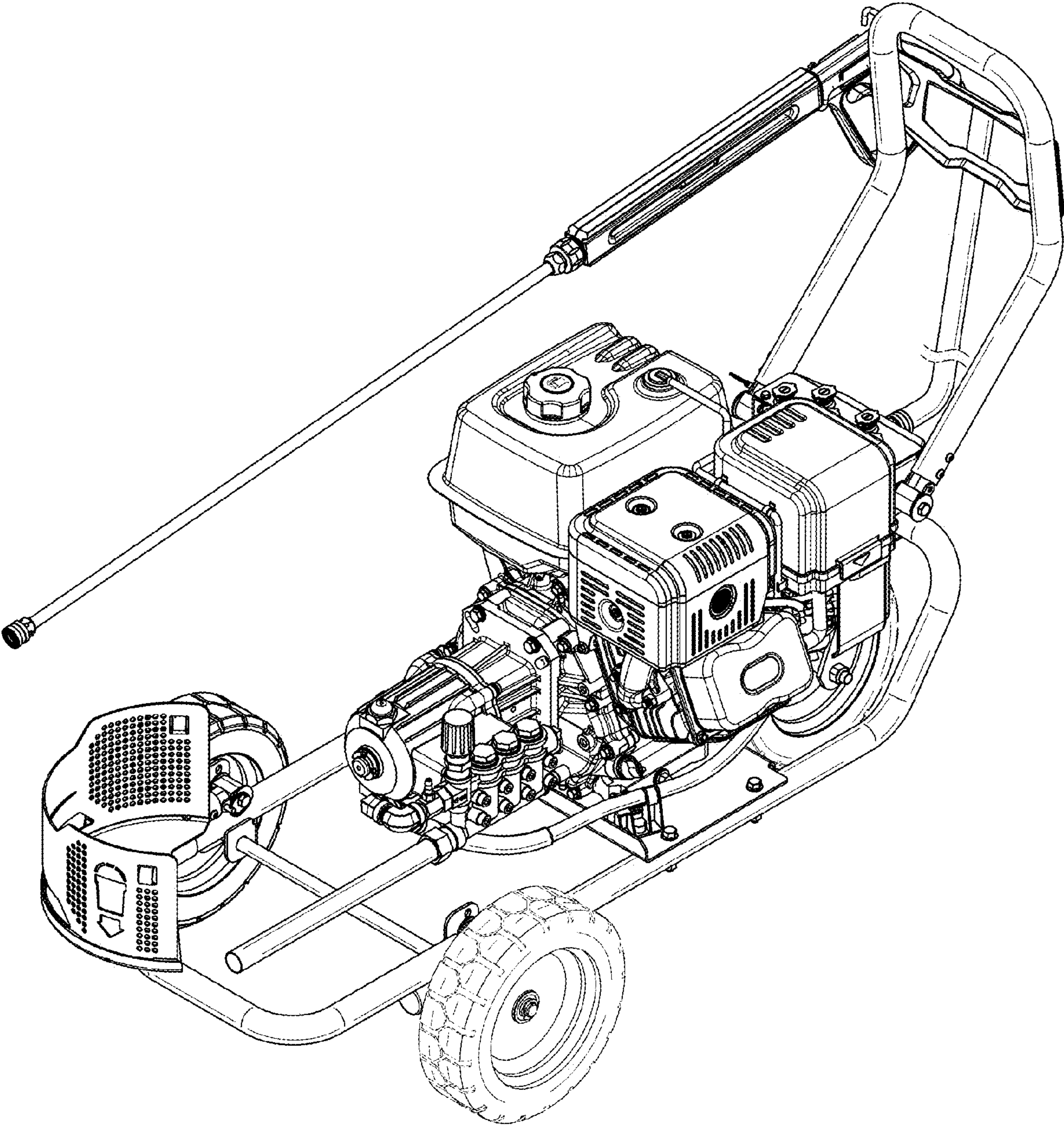


FIG. 2

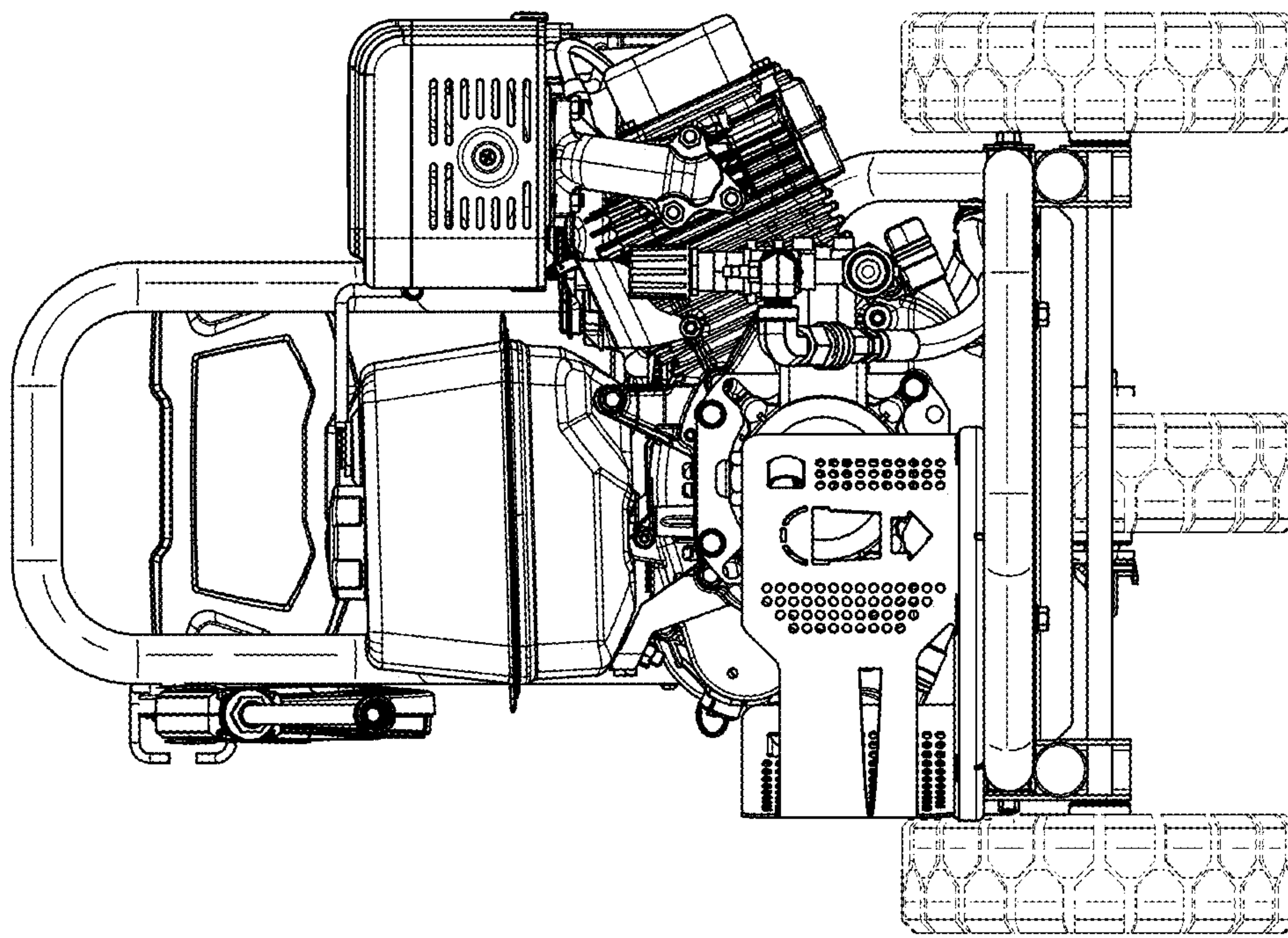


FIG. 3

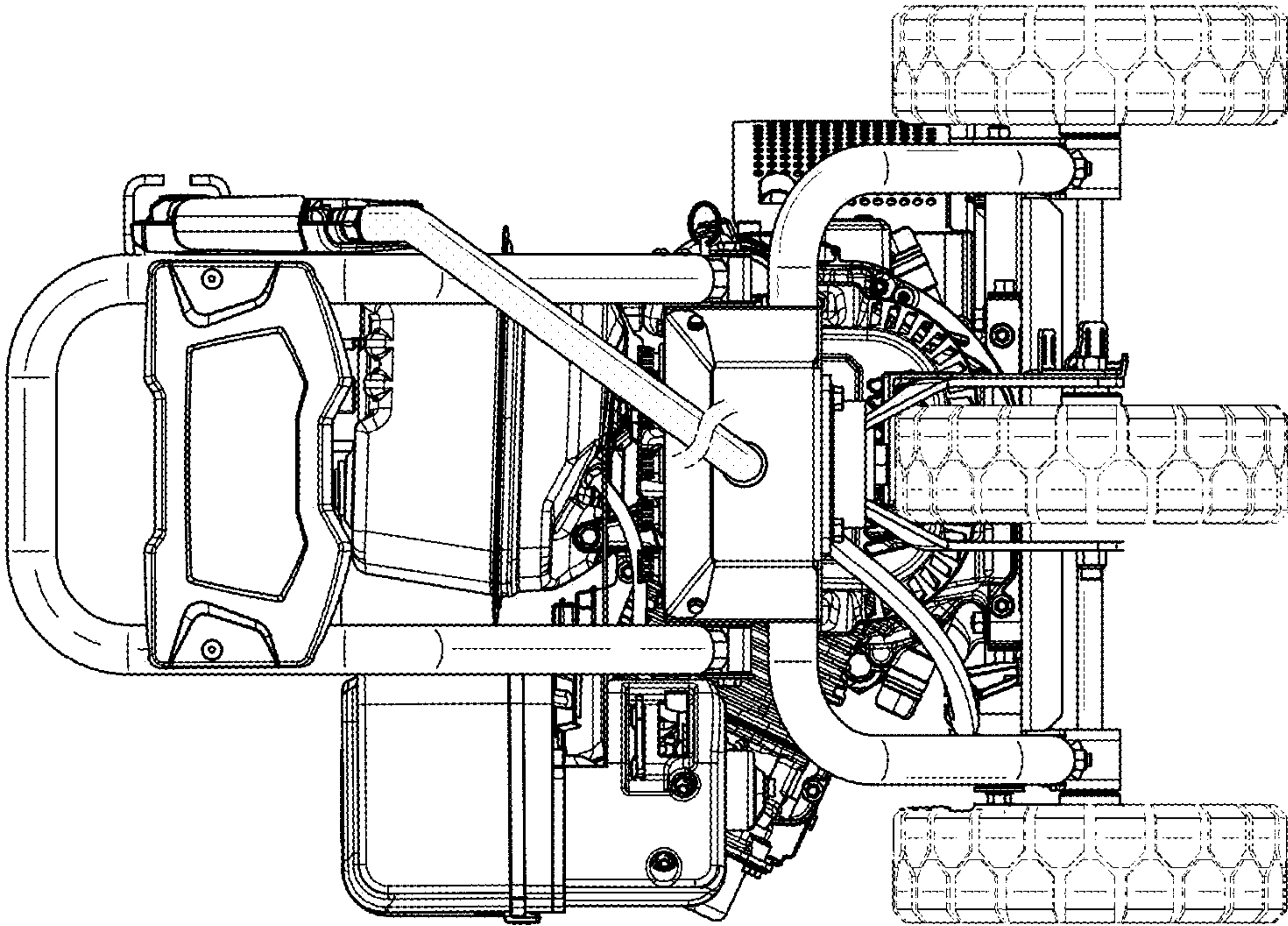


FIG. 4

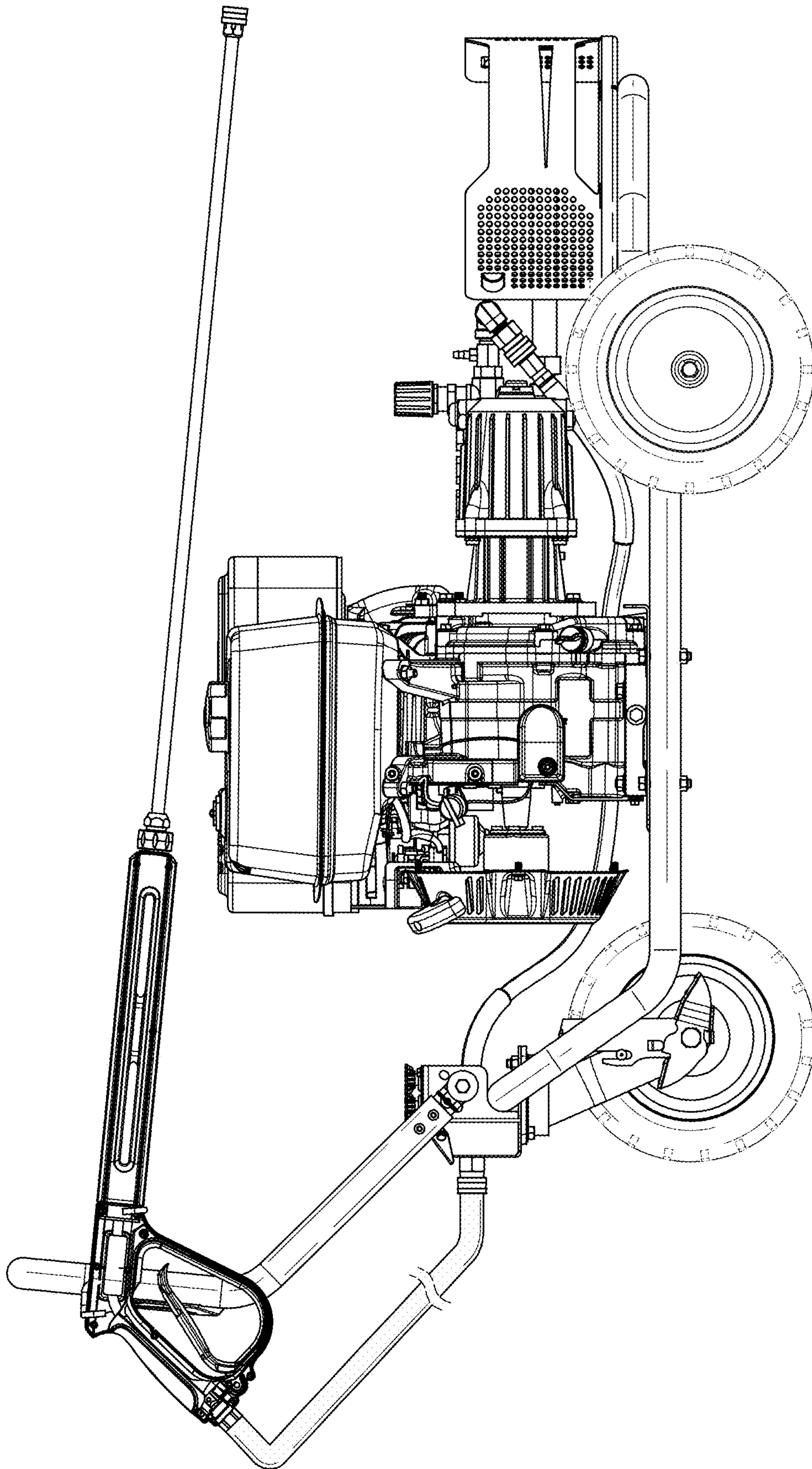


FIG. 5

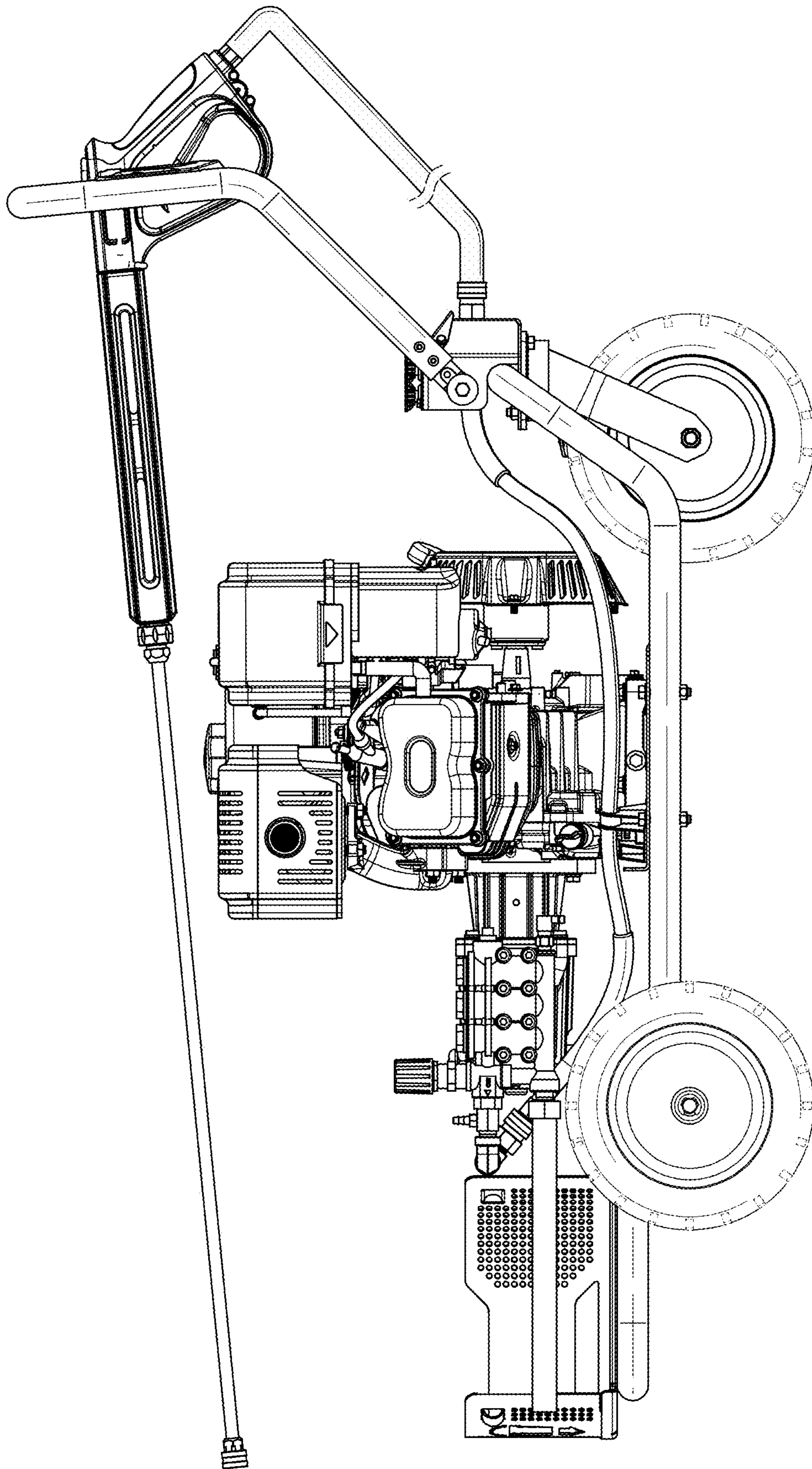


FIG. 6

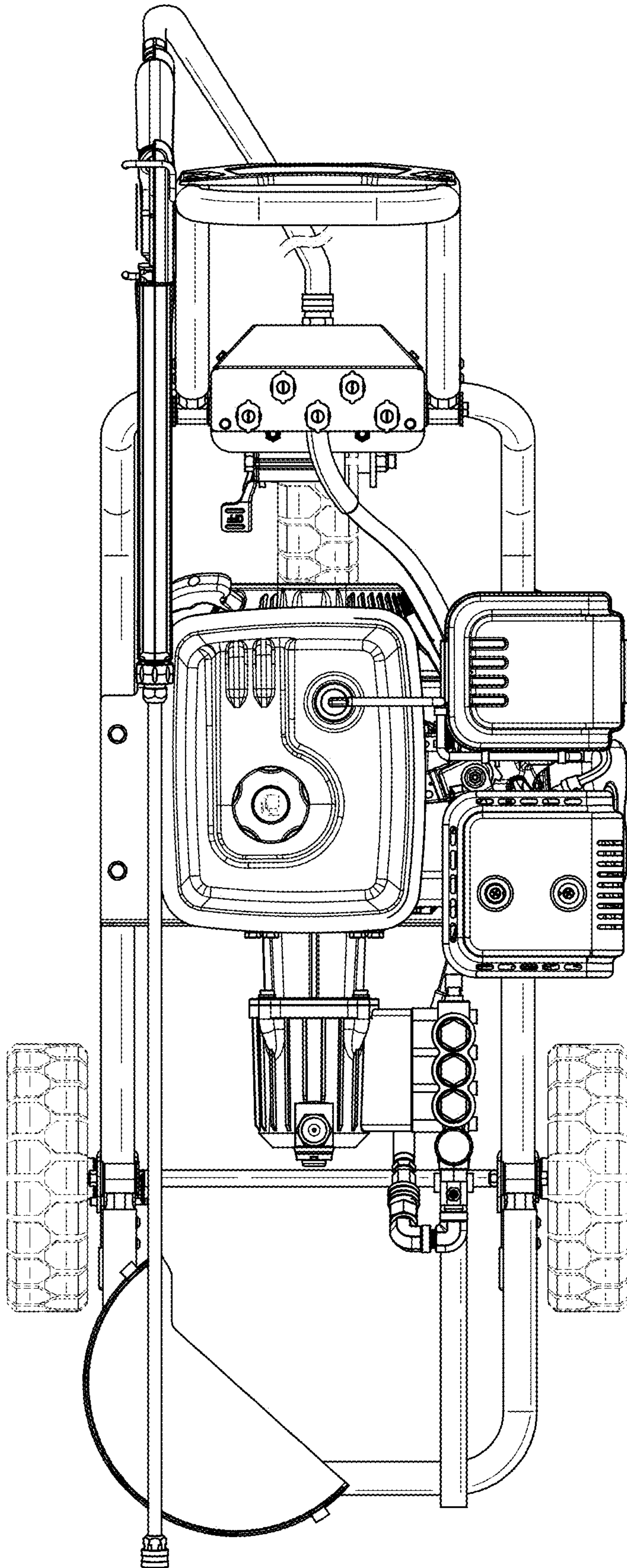


FIG. 7

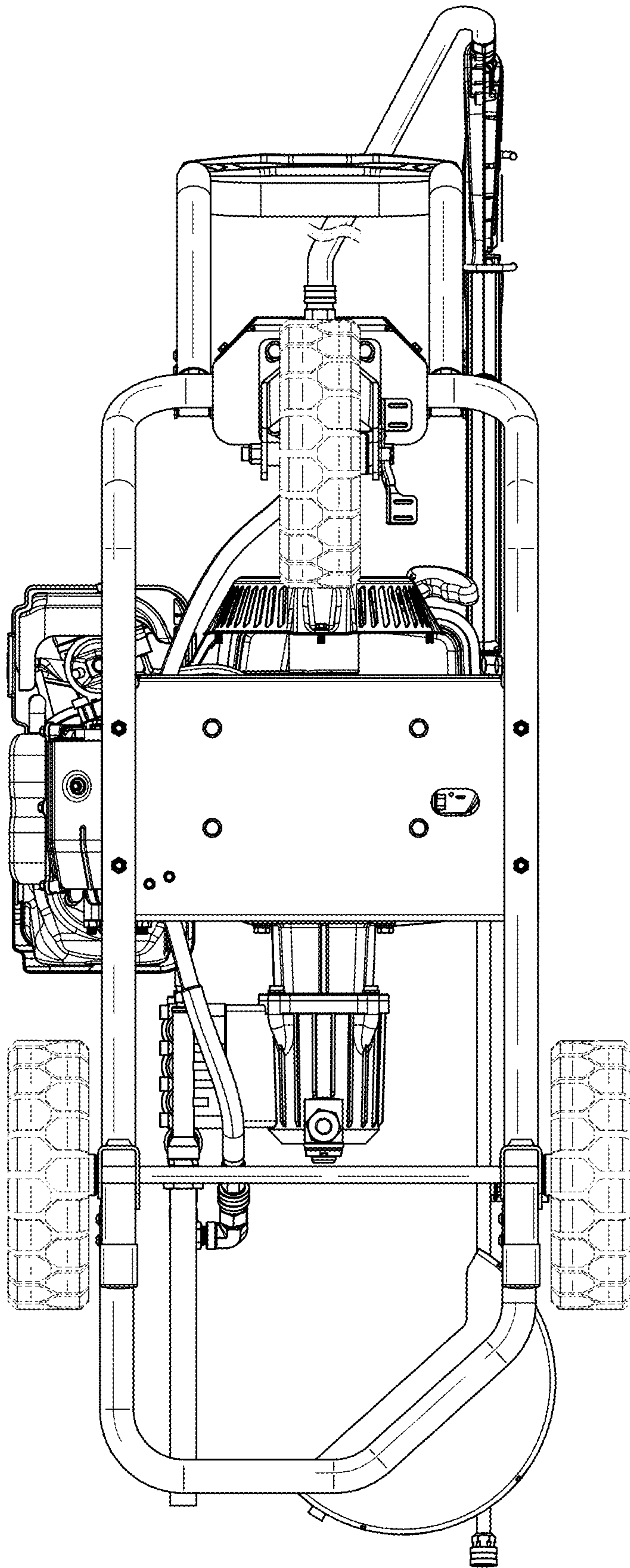


FIG. 8

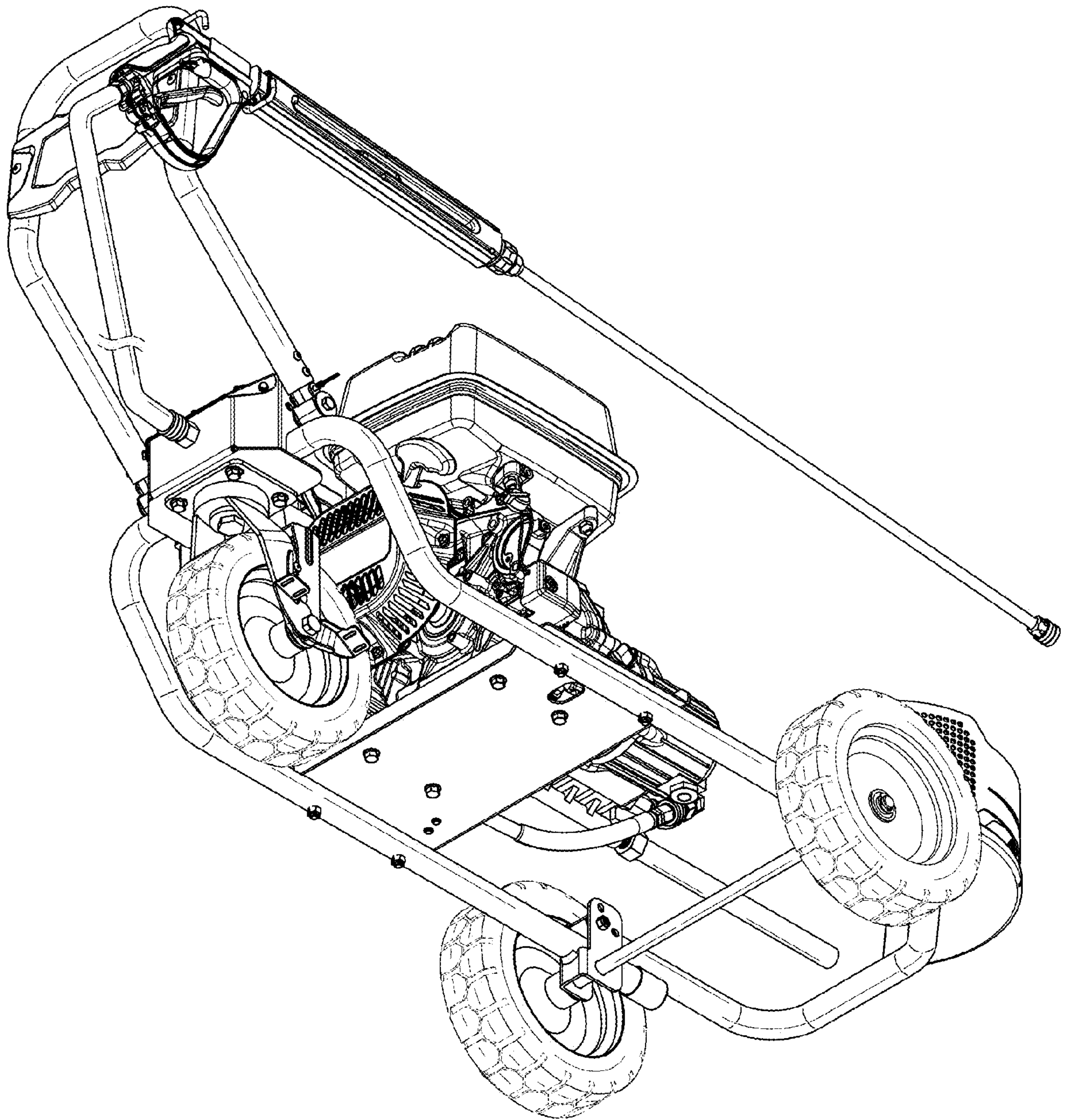


FIG. 9