



US00D981662S

(12) **United States Design Patent**
Georgeson

(10) **Patent No.:** **US D981,662 S**
(45) **Date of Patent:** **** Mar. 21, 2023**

(54) **MASK CLEANING DEVICE**

(71) Applicant: **Cleanbox Technology, Inc.**, Carlsbad, CA (US)

(72) Inventor: **David Allen Georgeson**, Vista, CA (US)

(73) Assignee: **Cleanbox Technology, Inc.**, Nashville, TN (US)

(**) Term: **15 Years**

(21) Appl. No.: **29/732,754**

(22) Filed: **Apr. 27, 2020**

(51) **LOC (14) Cl.** **15-05**

(52) **U.S. Cl.**
USPC **D32/1**

(58) **Field of Classification Search**

USPC D32/1, 10; D3/276, 294; D6/671.1, 691, D6/703.2; D7/605; D8/320; D14/499; D15/144; D21/526; D25/103
CPC A61L 2/0047; A61L 2/0058; A61L 2/088; A61L 2/025; A61L 2/10; A61L 2/20; A61L 2/24; A61L 9/20; A61L 12/063; A61L 2202/11; A61L 2202/17; A61L 2202/122; A61L 2202/212; B08B 3/12; B08B 5/02; B08B 7/0035; B08B 7/0057; B08B 7/005; B08B 9/051; B08B 9/0826; B08B 17/06; B08B 2203/0211; B08B 2209/005

See application file for complete search history.

(56) **References Cited**

U.S. PATENT DOCUMENTS

D223,470 S * 4/1972 Layton D32/1
D303,442 S * 9/1989 Harrison D32/1
D683,503 S * 5/2013 Helm D32/1
D835,862 S * 12/2018 Luo D32/1
10,328,166 B2 * 6/2019 Georgeson B08B 5/02
D862,814 S * 10/2019 Chang D32/1
D892,182 S * 8/2020 Ouyang D32/1

(Continued)

FOREIGN PATENT DOCUMENTS

EM 008197628-0001 * 12/2020
GB 9006820825-0001 * 9/2019
GB 9008197628-0001 * 10/2020

OTHER PUBLICATIONS

Cleanbox Technology to Help Combat Covid-19 PPE Shortage, available in <https://legacymedsearch.com>, announced May 11, 2020 [online], [site visited Apr. 8, 2022], Internet URL: <https://legacymedsearch.com/cleanbox-technology-to-help-combat-covid-19-ppe-shortage-by-allowing-safe-reuse-of-n95-masks/> (Year: 2020).*

(Continued)

Primary Examiner — Jennifer Rivard

Assistant Examiner — Jennylou M Binas

(74) *Attorney, Agent, or Firm* — Incubate IP; Randy R. Micheletti

(57) **CLAIM**

The ornamental design for a mask cleaning device, as shown and described.

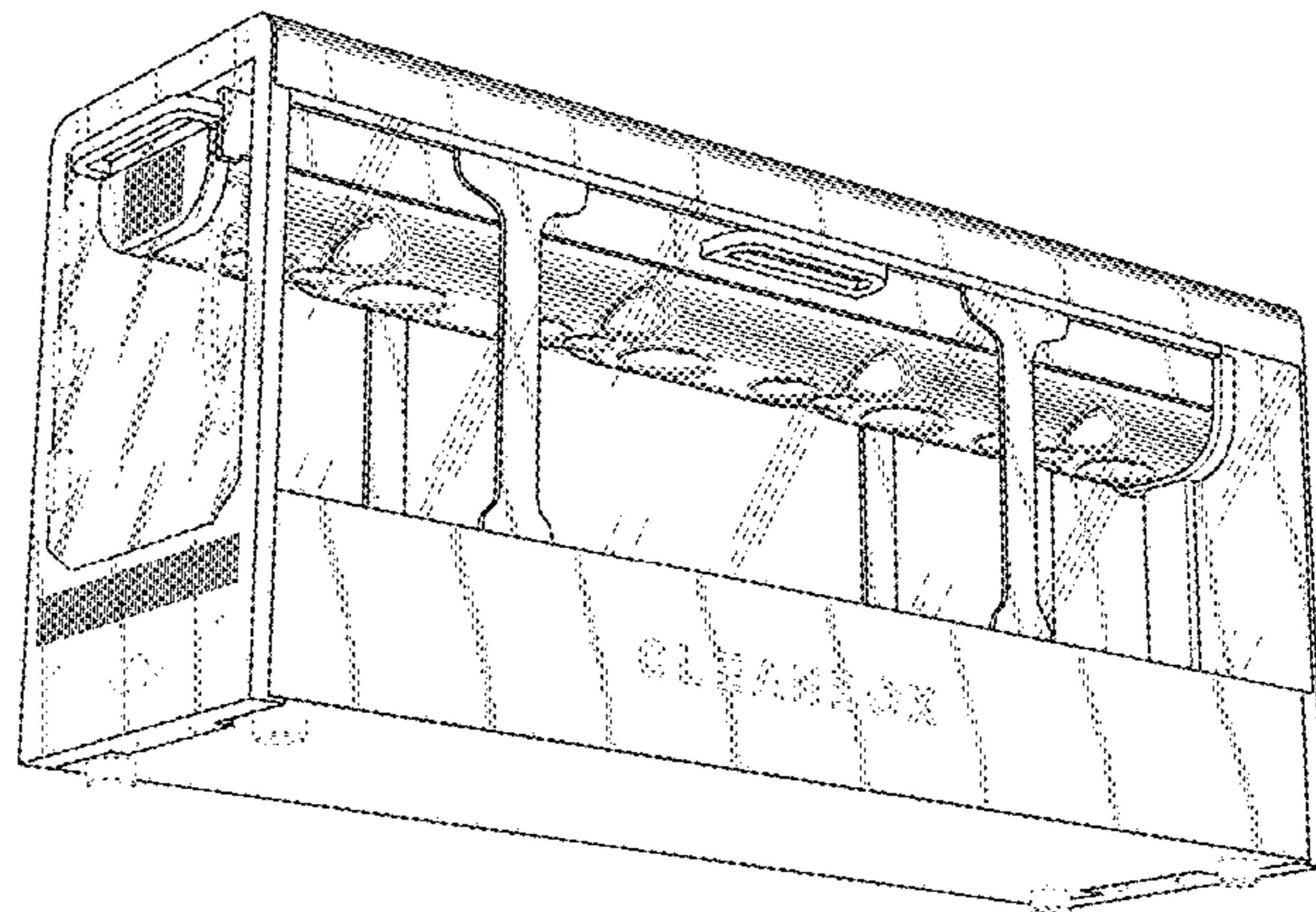
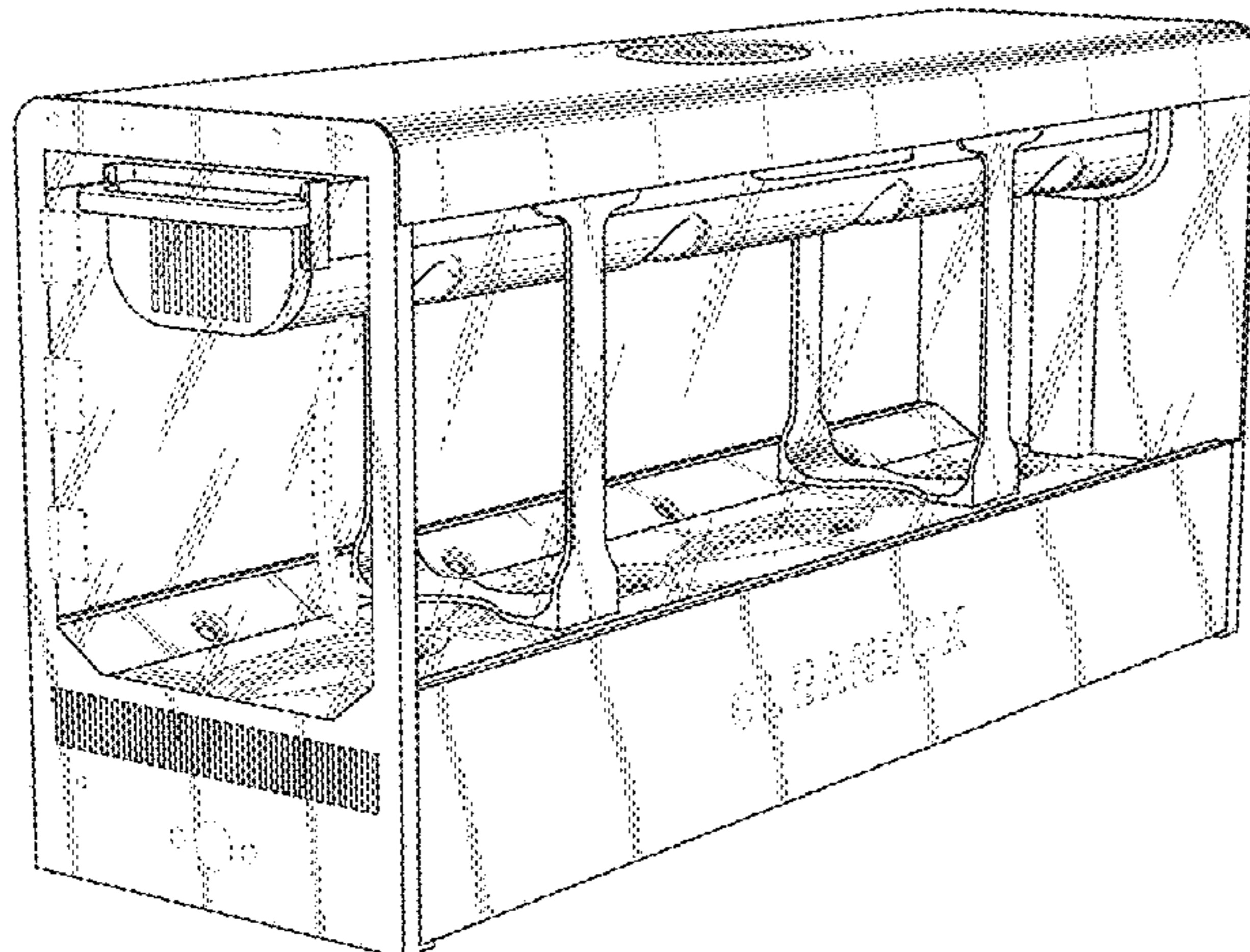
DESCRIPTION

FIG. 1 is a top perspective view of a mask cleaning device showing the new design.
FIG. 2 is a bottom perspective view thereof.
FIG. 3 is a front view thereof.
FIG. 4 is a rear view thereof.
FIG. 5 is a top view thereof.
FIG. 6 is a bottom view thereof.
FIG. 7 is a right side view thereof; and,
FIG. 8 is a left side view thereof.

The “CLEANBOX” forming part of the claimed design disclosure is a registered trademark of the CleanBox Technology, Inc.

The portions of the mask cleaning device shown in broken line form no part of the claimed design.

1 Claim, 5 Drawing Sheets



(56)

References Cited

U.S. PATENT DOCUMENTS

D900,172 S * 10/2020 Wu D32/1
10,894,100 B2 * 1/2021 Georgeson A61L 2/20
D916,400 S * 4/2021 Eckstein D32/1
2012/0107184 A1 * 5/2012 Asiyanbola A61L 2/24
422/291
2012/0285459 A1 * 11/2012 Sata F24F 8/10
128/205.27

OTHER PUBLICATIONS

Covid Killer Cleanbox In The Right Spot At The Right Time, available in <https://www.forbes.com>, announced Jun. 18, 2020 [online], [site visited Apr. 8, 2022], Internet URL: <https://www.forbes.com/sites/charliefink/2020/06/18/covid-killer-cleanbox-in-the-right-spot-at-the-right-time/?sh=3684d78627f7> (Year: 2020).*

Cleanbox To Introduce Virtual Reality Tech At San Diego Comic Con 2018, available in <https://thefoxmagazine.com>, announced Jul. 28, 2018 [online], [site visited Apr. 8, 2022], <https://thefoxmagazine.com/technology/cleanbox-to-introduce-virtual-reality-tech-at-san-diego-comic-con-2018/> (Year: 2018).*

* cited by examiner

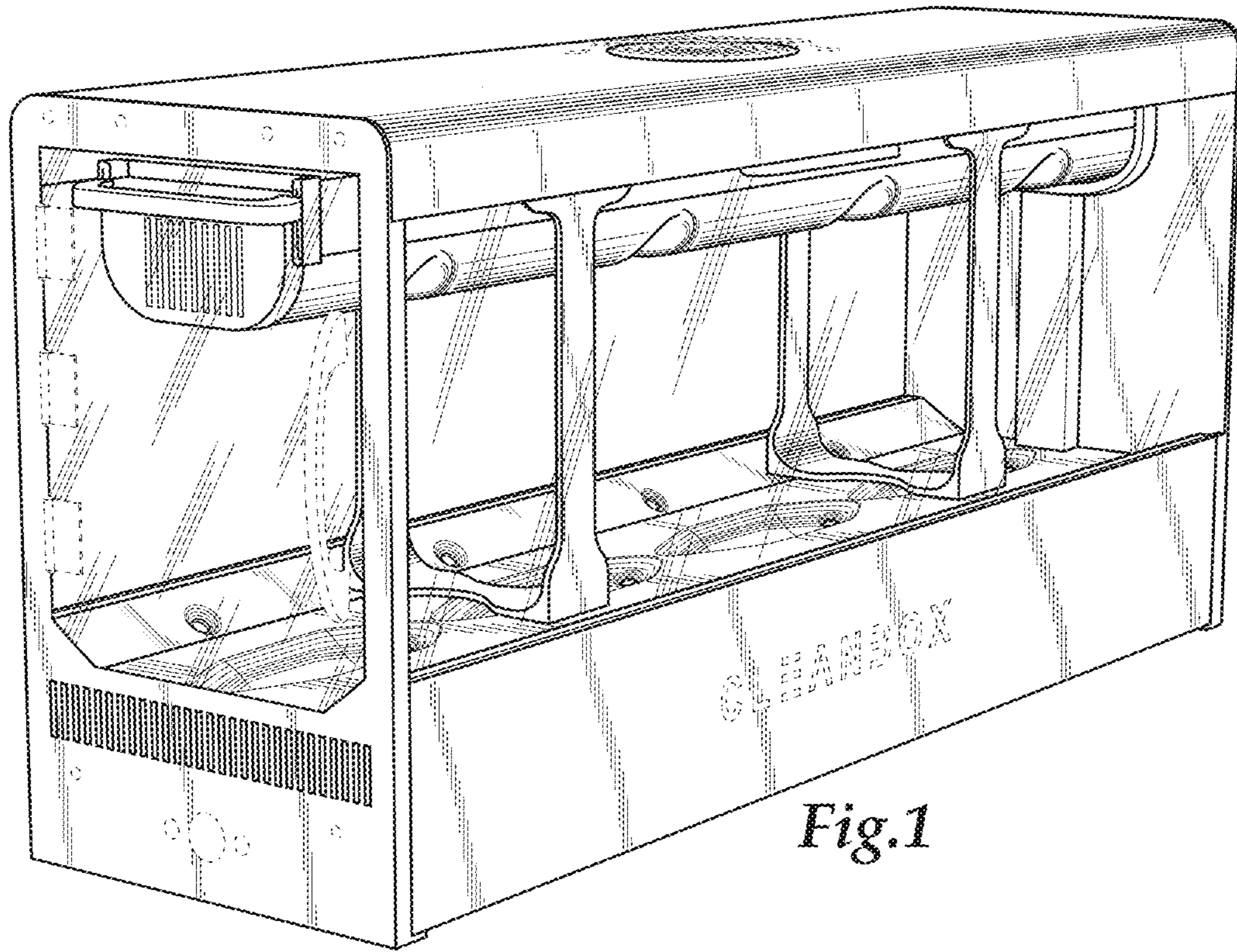


Fig.1

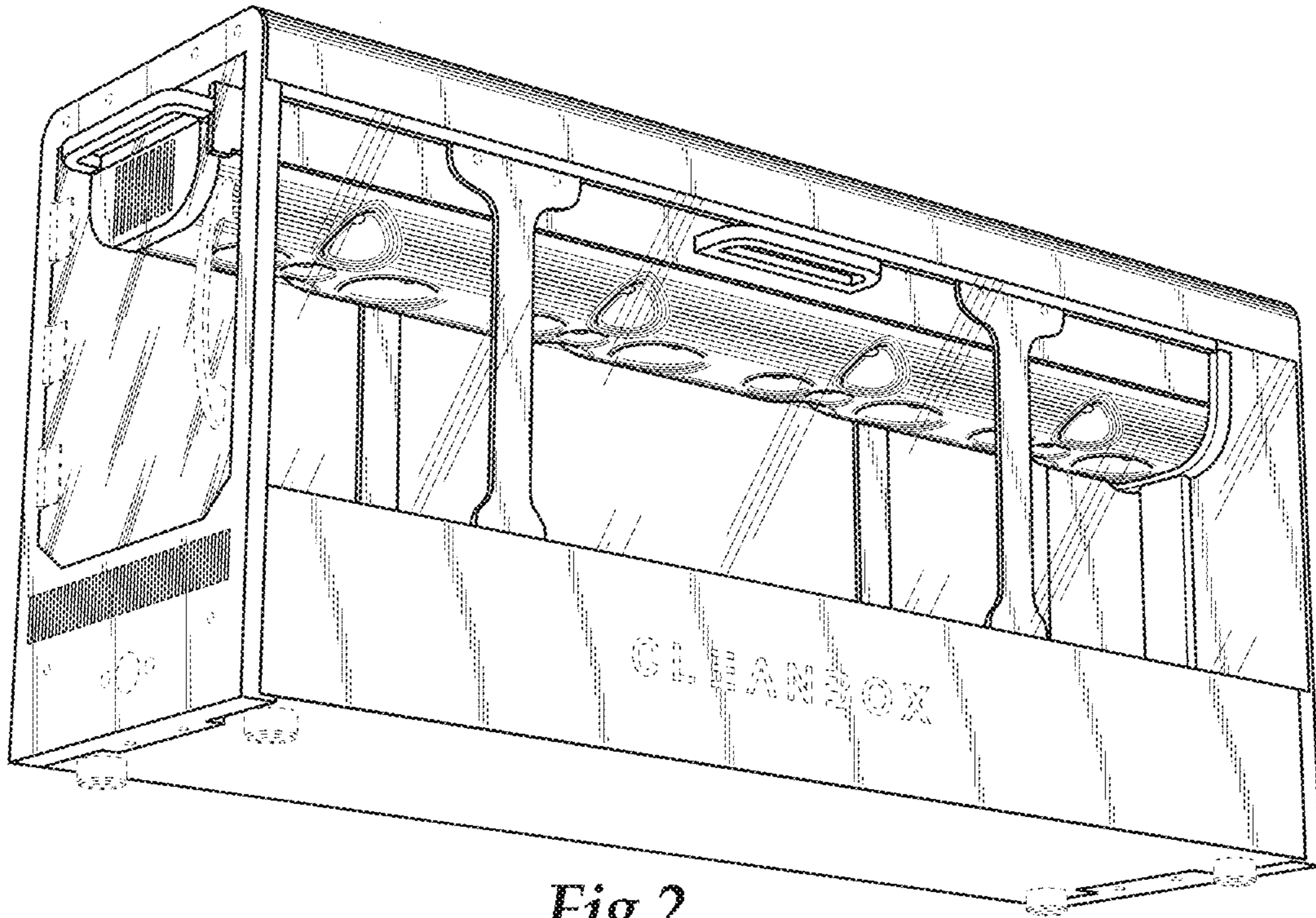


Fig.2

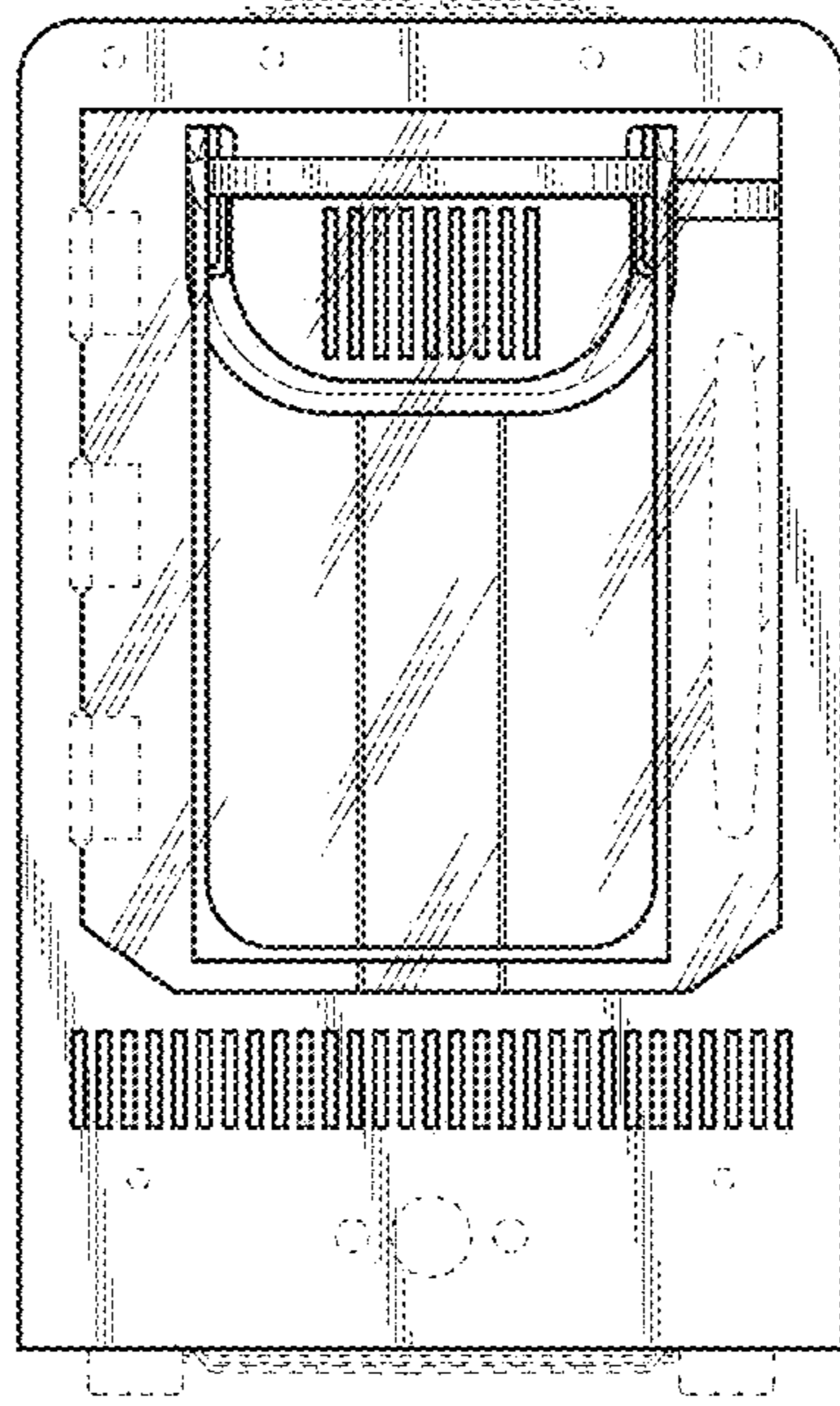


Fig.3

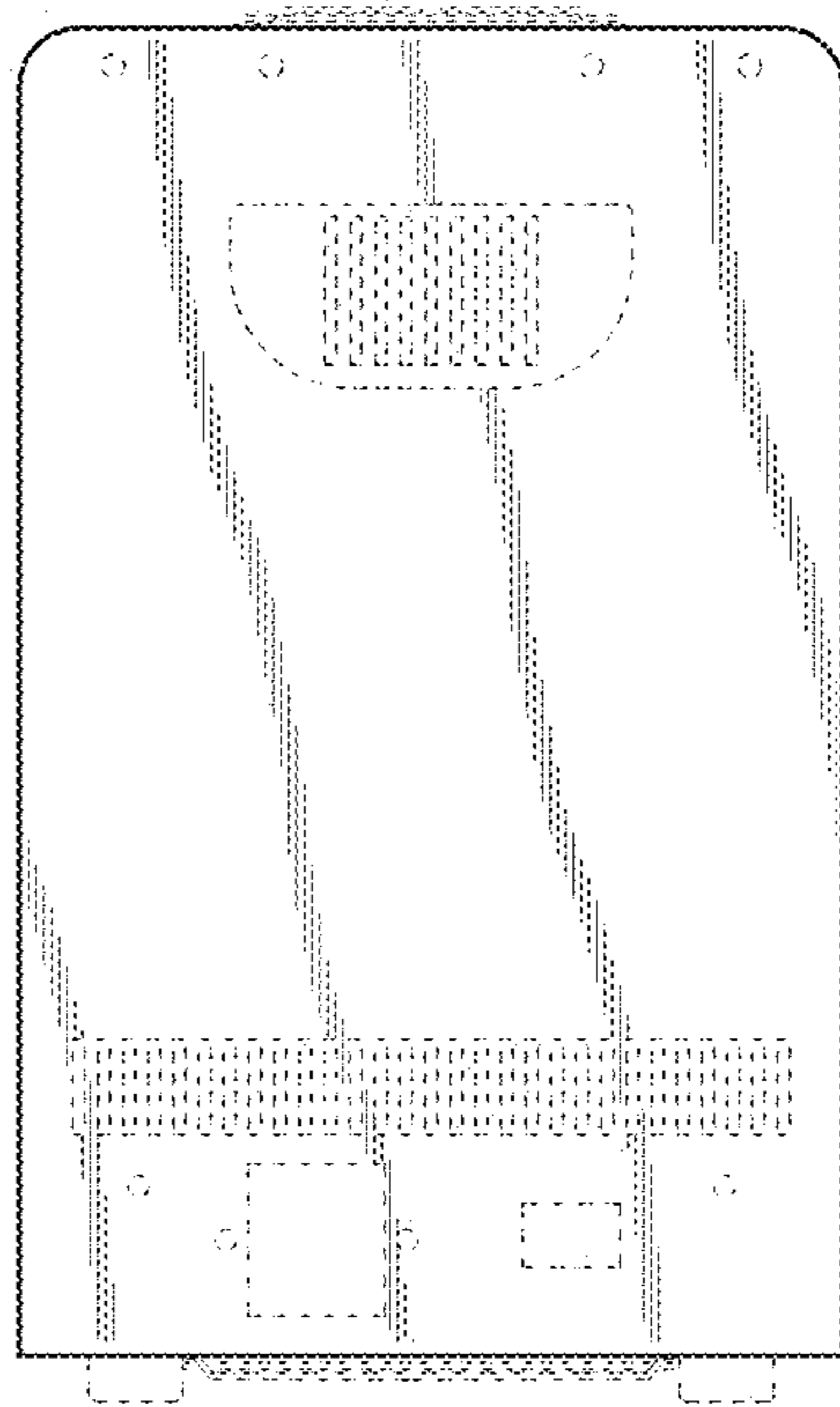


Fig.4

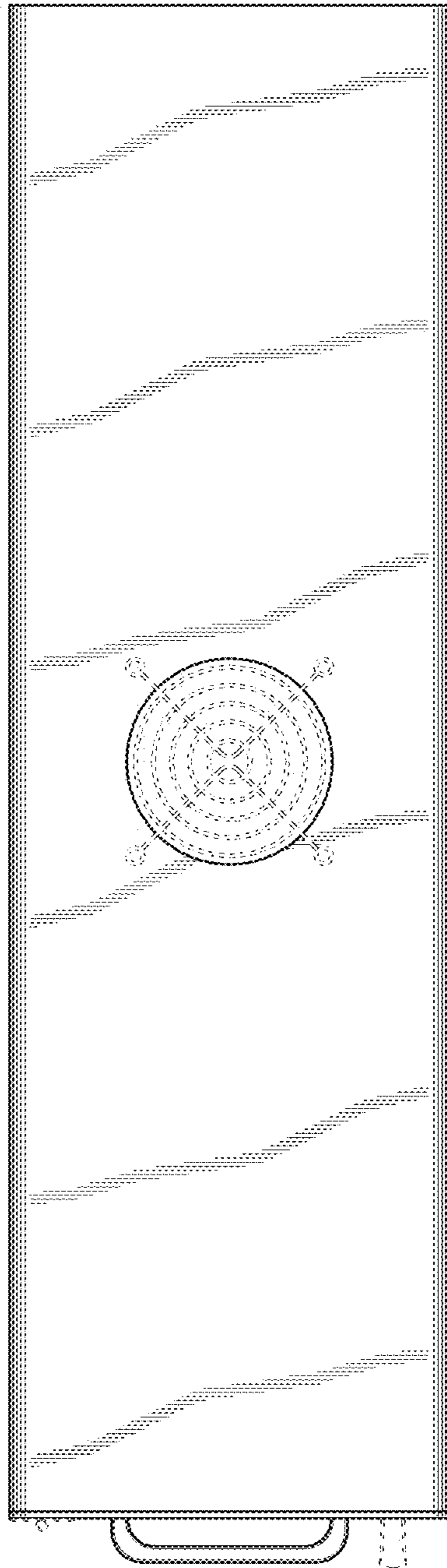


Fig.5

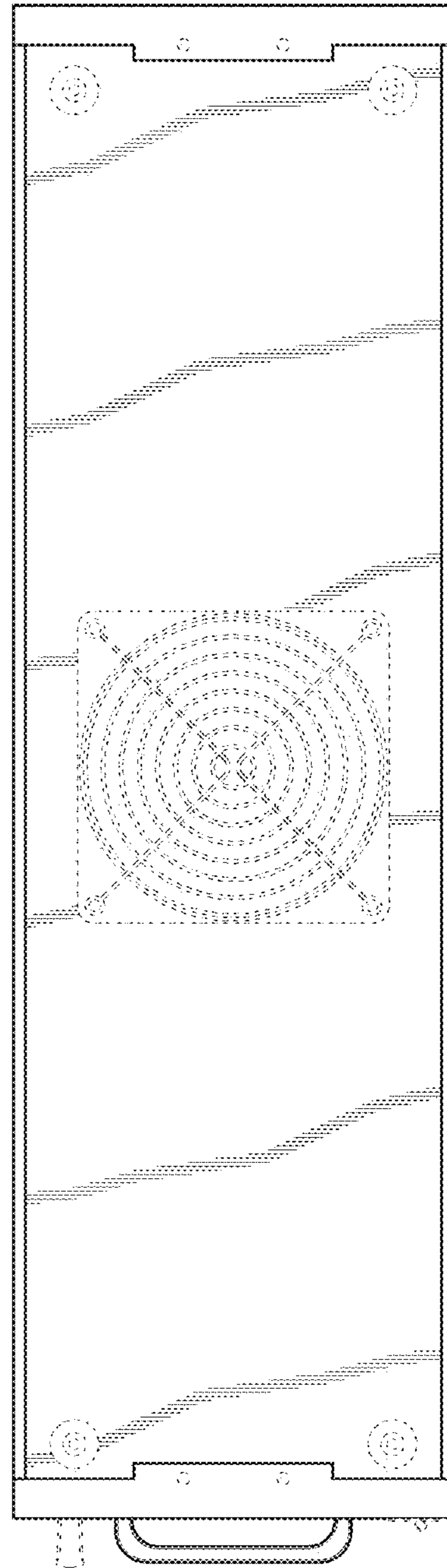


Fig.6

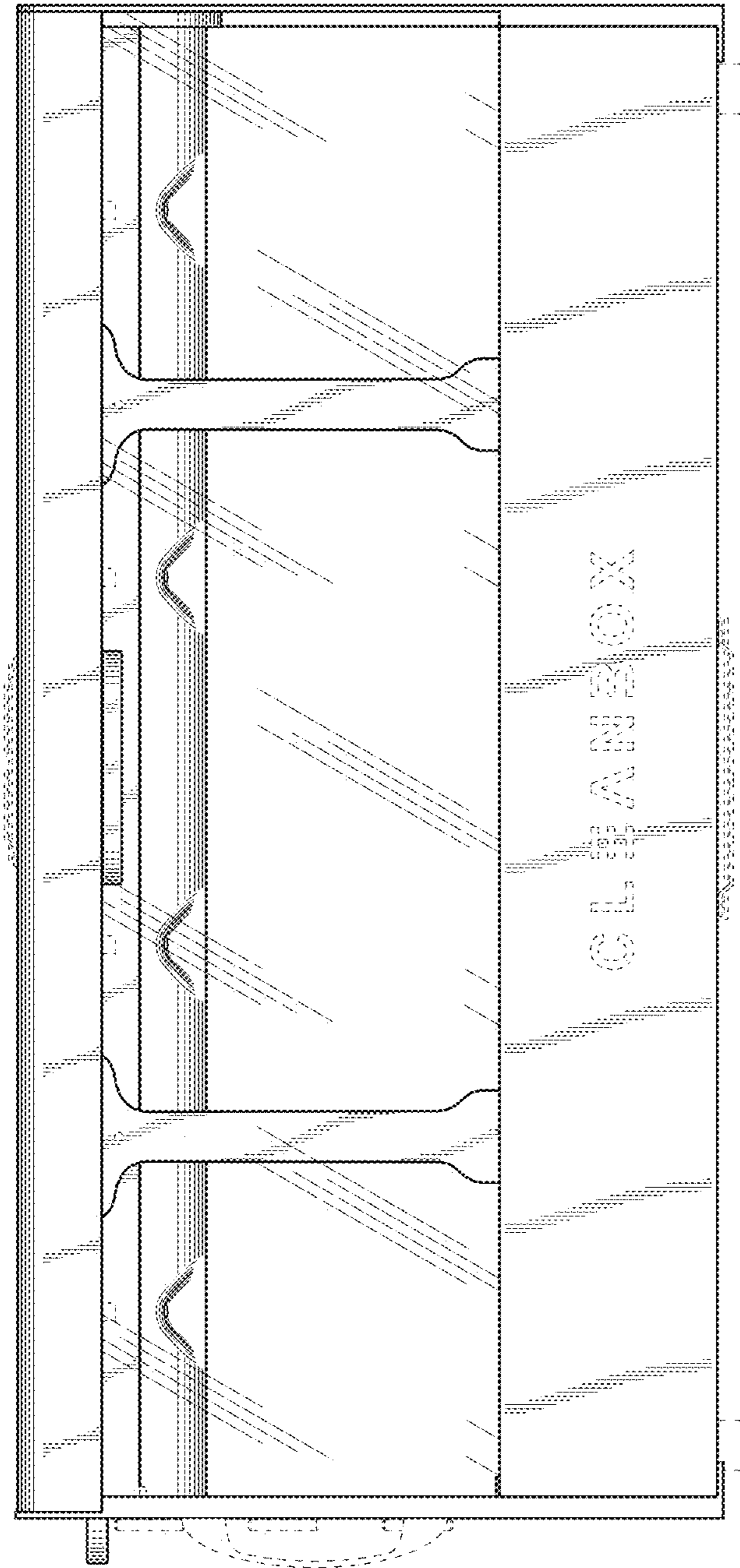


Fig. 7

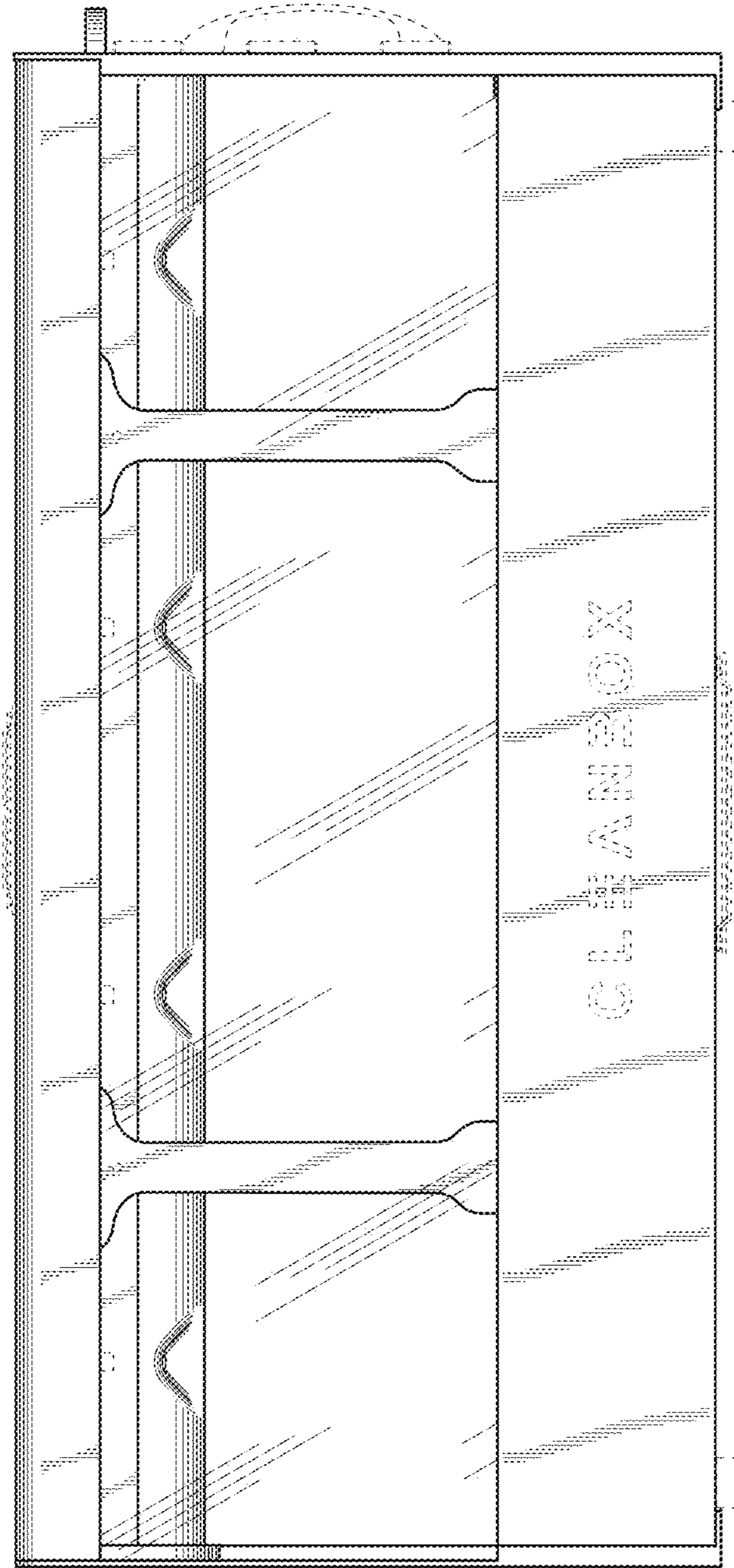


Fig.8