



US00D981661S

(12) **United States Design Patent** (10) **Patent No.:** **US D981,661 S**
Song (45) **Date of Patent:** **** Mar. 21, 2023**

(54) **CONTROLLER FOR PET TRAINING COLLAR**

(71) Applicant: **ShenZhen AFU Intelligent Internet Technology Co., Ltd.**, Guangdong (CN)

(72) Inventor: **Zongliang Song**, Guangdong (CN)

(73) Assignee: **SHENZHEN AFU INTELLIGENT INTERNET TECHNOLOGY CO., LTD.**, Shenzhen (CN)

(**) Term: **15 Years**

(21) Appl. No.: **29/781,887**

(22) Filed: **May 2, 2021**

(51) **LOC (14) Cl.** **30-99**

(52) **U.S. Cl.**
USPC **D30/199**; D13/168; D10/104.1

(58) **Field of Classification Search**
USPC D30/152, 199; D10/104.1; D14/137, D14/140, 218, 496; D13/168
CPC A01K 15/02; A01K 15/021; A01K 15/022; A01K 15/023
See application file for complete search history.

(56) **References Cited**

U.S. PATENT DOCUMENTS

D719,708 S *	12/2014	Ye	D10/104.1
D721,861 S *	1/2015	Guo	D10/104.1
D774,935 S *	12/2016	Liu	D10/104.1
D879,390 S *	3/2020	Cai	D10/104.1
D881,486 S *	4/2020	Li	D10/104.1
D884,995 S *	5/2020	Ni	D10/104.1
D904,214 S *	12/2020	Zinn	D10/104.1
D925,142 S *	7/2021	Jia	D10/104.1
D930,294 S *	9/2021	Jia	D10/104.1
D931,557 S *	9/2021	Xie	D10/104.1
D946,218 S *	3/2022	Xiao	D10/104.1

D950,866 S *	5/2022	Wen	D10/104.1
D955,670 S *	6/2022	Tan	D10/104.1
D961,863 S *	8/2022	Zhu	D10/104.1
D963,967 S *	9/2022	Jia	D10/104.1
D964,669 S *	9/2022	Wei	D10/104.1
2008/0036610 A1 *	2/2008	Hokuf	G08B 21/028 340/573.3
2012/0272924 A1 *	11/2012	So	A01K 15/021 119/720
2017/0208775 A1 *	7/2017	Van Curen	A01K 15/023

FOREIGN PATENT DOCUMENTS

CN	305440574	*	5/2019
CN	307048694	*	8/2021
CN	307286936	*	1/2022
CN	307632074	*	5/2022

OTHER PUBLICATIONS

Amazon.com_Zingtona Dog Shock Collar for Large Dogs(10-120lbs); first available date Dec. 23, 2021; 3 pgs.*

* cited by examiner

Primary Examiner — Selina Sikder

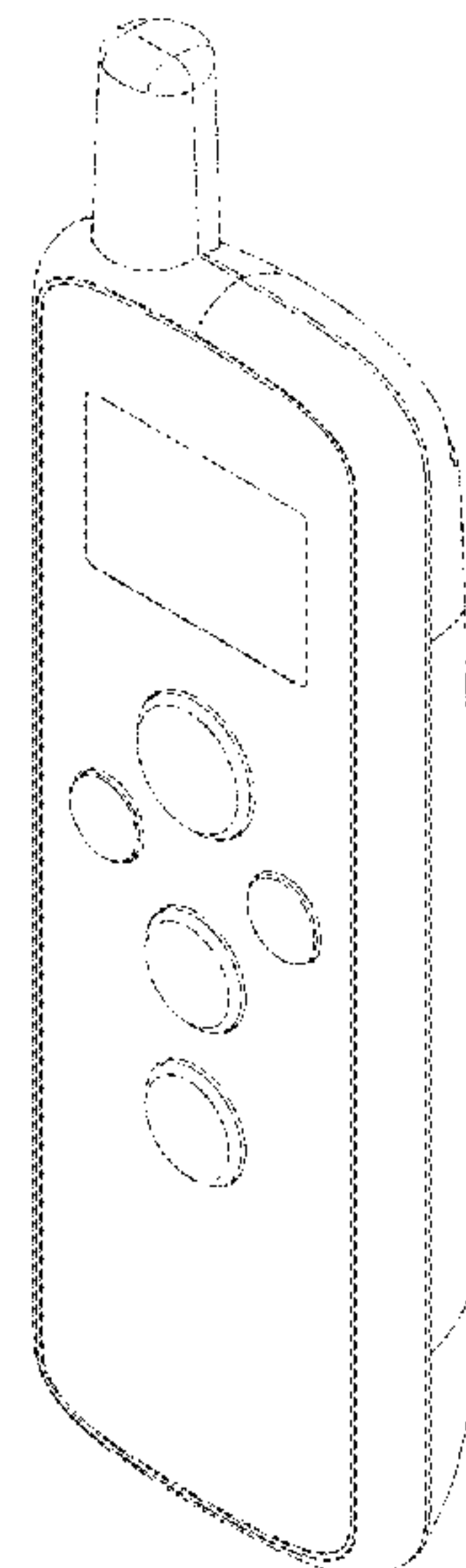
(57) **CLAIM**

The ornamental design for a controller for pet training collar, as shown and described.

DESCRIPTION

FIG. 1 is a perspective view of a controller for pet training collar showing my new design;
FIG. 2 is an alternative perspective view thereof;
FIG. 3 is a front view thereof;
FIG. 4 is a left side view thereof;
FIG. 5 is a right side view thereof;
FIG. 6 is a back view thereof;
FIG. 7 is a top view thereof; and,
FIG. 8 is a bottom view thereof.

1 Claim, 8 Drawing Sheets



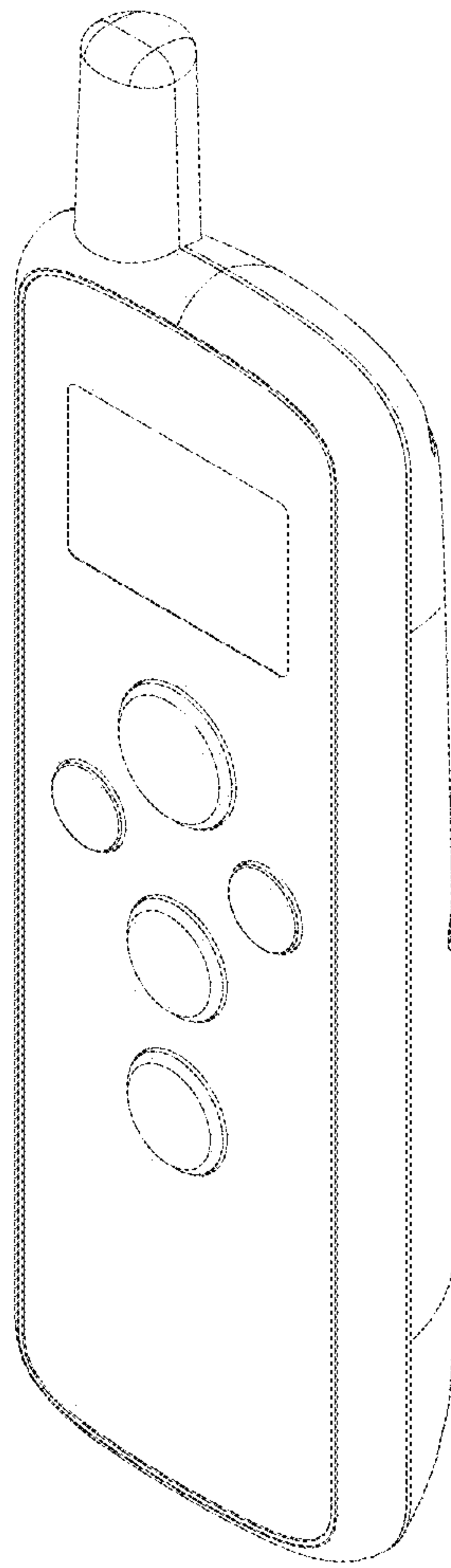


FIG. 1

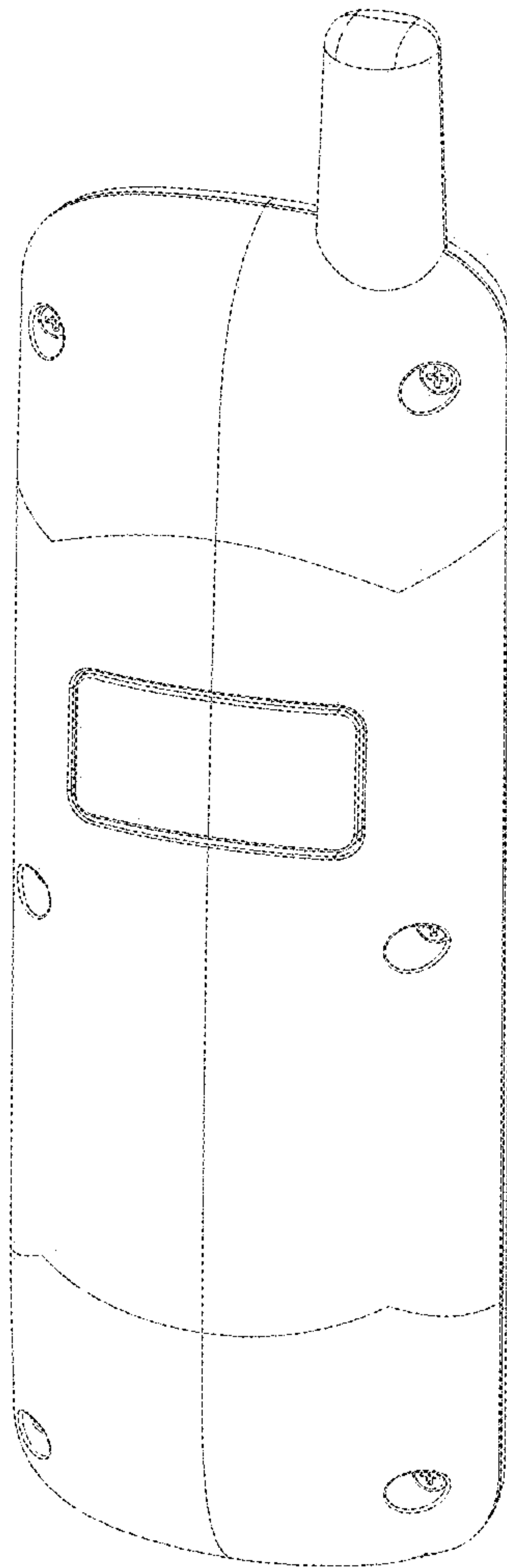


FIG. 2

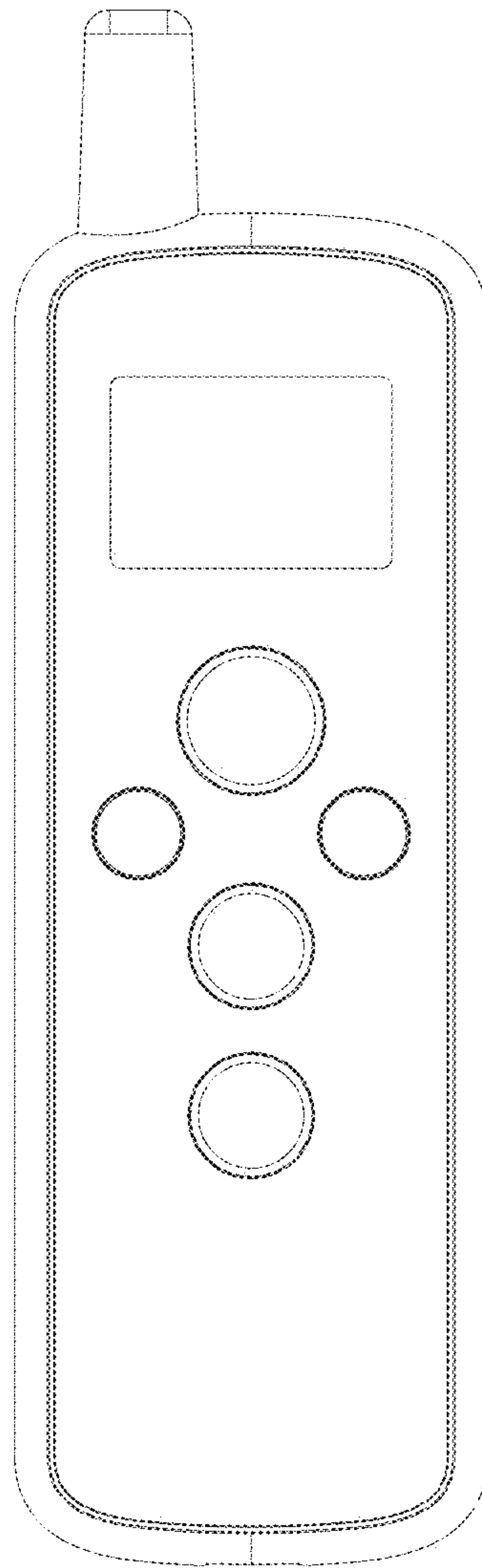


FIG. 3

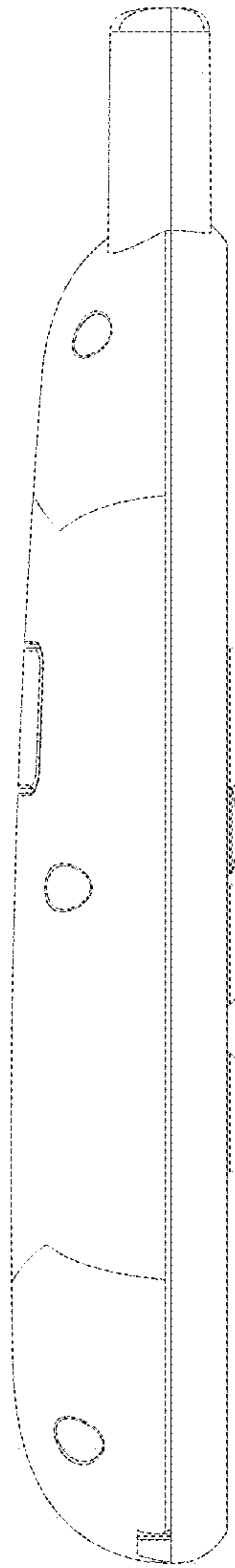


FIG. 4

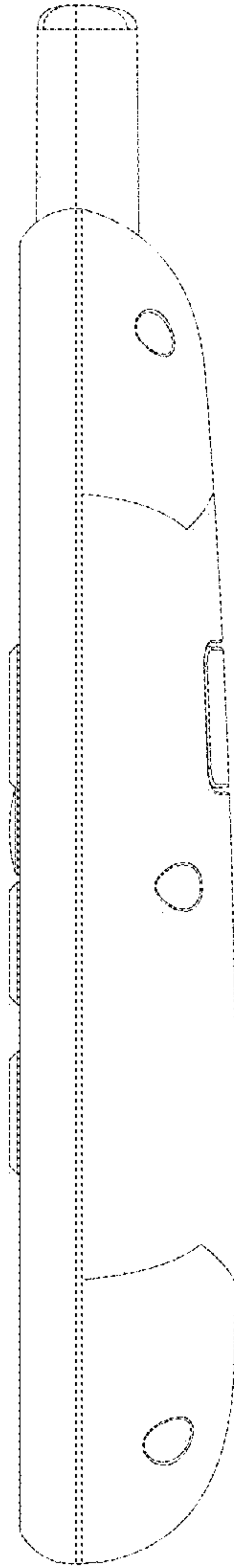


FIG. 5

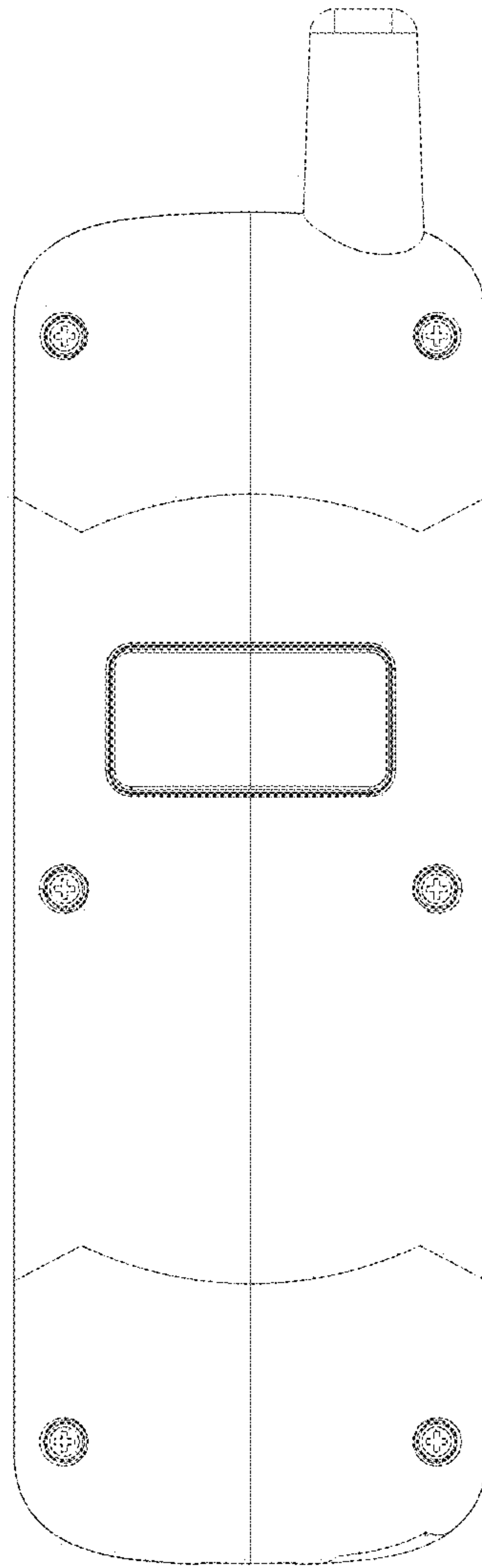


FIG. 6

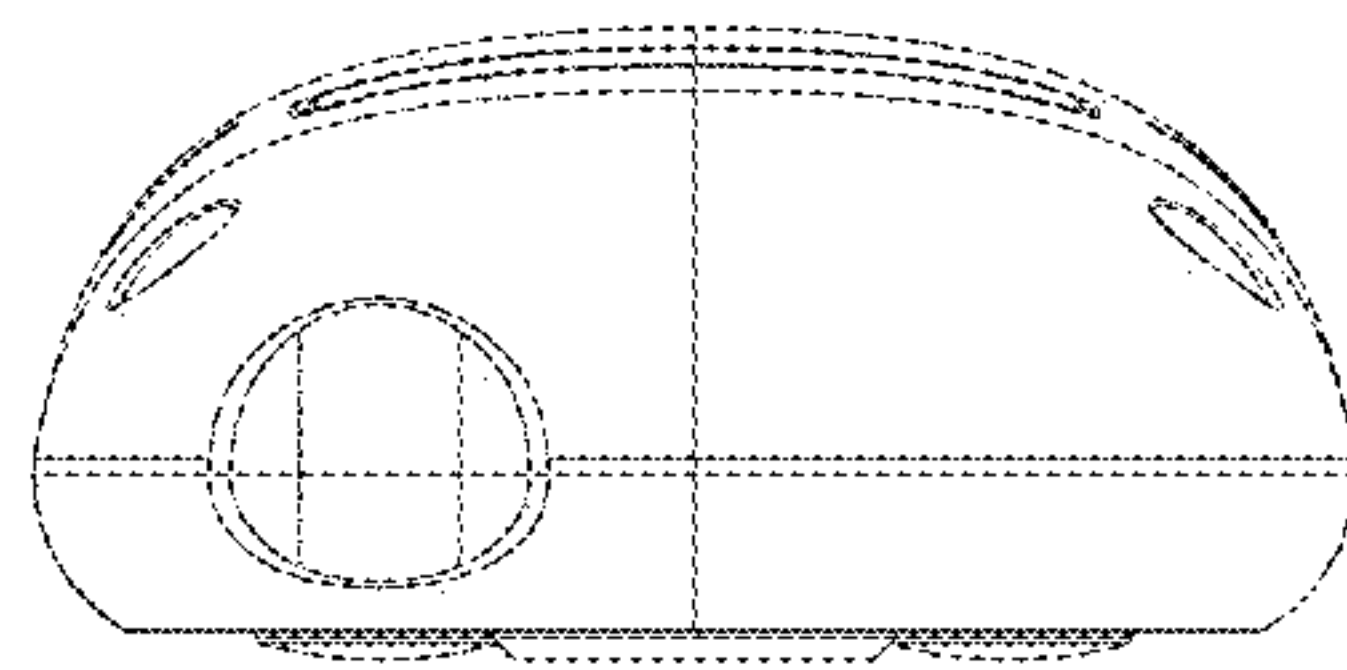


FIG. 7

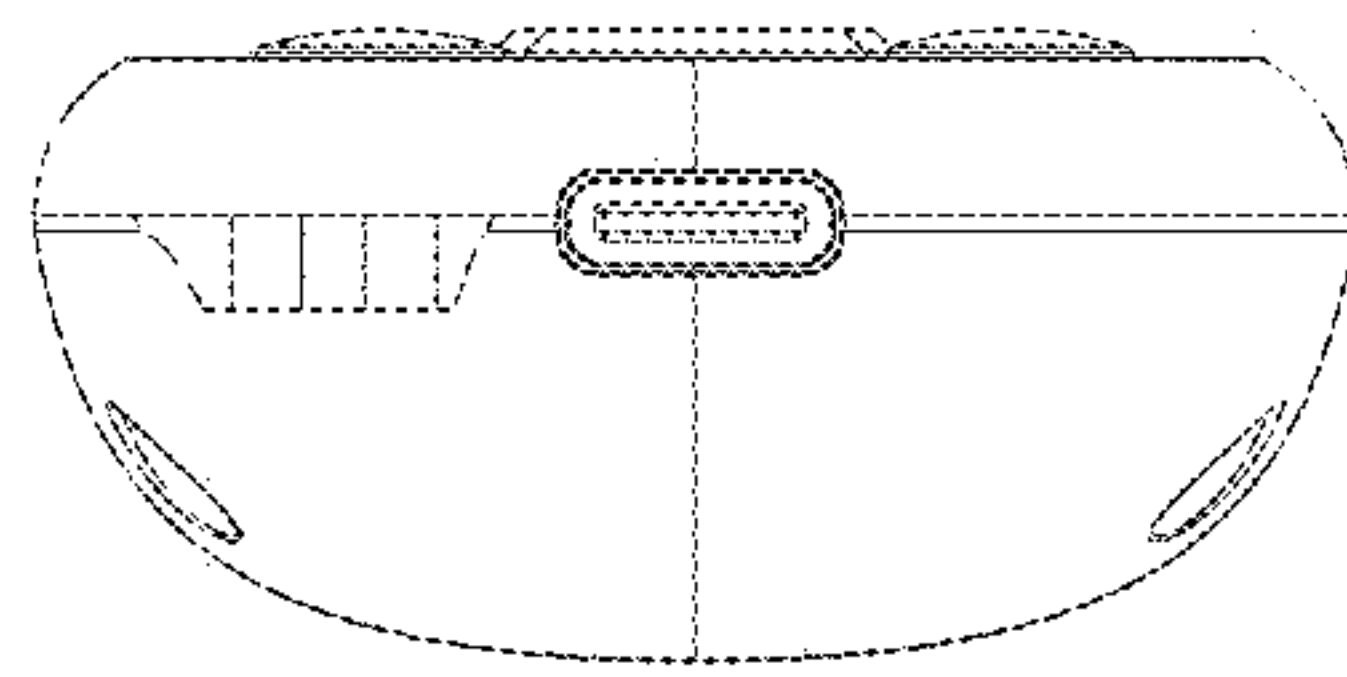


FIG. 8