



US00D981659S

(12) **United States Design Patent**  
**Song**

(10) **Patent No.:** **US D981,659 S**

(45) **Date of Patent:** **\*\* Mar. 21, 2023**

(54) **CAT TREE**

(71) Applicant: **Ziel Home Furnishing Technology Co., Ltd., Zhengzhou (CN)**

(72) Inventor: **Chuan Song, Zhengzhou (CN)**

(\*\*) Term: **15 Years**

(21) Appl. No.: **29/842,065**

(22) Filed: **Jun. 10, 2022**

(51) **LOC (14) Cl.** ..... **30-12**

(52) **U.S. Cl.**

USPC ..... **D30/160**

(58) **Field of Classification Search**

USPC ..... D30/108, 118, 119, 120, 151, 152, 153,  
D30/160, 199; D21/811, 814, 826

CPC ..... A01K 1/033; A01K 1/035; A01K 15/02;  
A01K 15/024; A01K 15/025; A01K  
15/027; A01K 13/004

See application file for complete search history.

(56) **References Cited**

**U.S. PATENT DOCUMENTS**

D364,489 S *	11/1995	Cook	.....	D30/108
D367,310 S *	2/1996	Ziegler, Jr.	.....	D21/827
D461,937 S *	8/2002	Small	.....	D30/108
6,431,119 B1 *	8/2002	Beymer	.....	A01K 1/033 119/485
D677,022 S *	2/2013	Cirincione	.....	D30/160
D846,818 S *	4/2019	He	.....	D30/160
D883,585 S	5/2020	Song		
D883,586 S	5/2020	Song		
D884,991 S	5/2020	Song		
D886,398 S *	6/2020	Song	.....	D30/160
D891,711 S	7/2020	He		
D928,427 S	8/2021	Guo		
D928,428 S	8/2021	Guo		
D963,961 S *	9/2022	Guo	.....	D30/160
2012/0186534 A1 *	7/2012	Lu	.....	A01K 1/035 119/706

2016/0360729 A1 *	12/2016	Shi	.....	A01K 29/005
2020/0315128 A1 *	10/2020	Becherer	.....	A01K 1/0114
2021/0400915 A1 *	12/2021	Monahan	.....	A01K 15/027

**OTHER PUBLICATIONS**

Heybly Cat Tree. Heybly, amazon.com (online) 10 pages. Posted Jun. 28, 2022. [Retrieved Jan. 9, 2023] <https://a.co/d/5HELVWO> (Year: 2022).\*

Vikiullf Modern Cat Tree. Vikiullf, amazon.com (online) 8 pages. Posted Oct. 21, 2021. [Retrieved Jan. 9, 2023] <https://a.co/d/6JGUIGC> (Year: 2021).\*

Feandrea Cat Tree and End Table. Feandrea, amazon.com (online) 11 pages. Posted Nov. 19, 2020. [Retrieved Jan. 9, 2023] <https://a.co/d/hitkMhC> (Year: 2020).\*

Made4Pets Cat Tree. Made4Pets, amazon.com (online) 14 pages. Posted May 20, 2020. [Retrieved Jan. 9, 2023] <https://a.co/d/h5jJDBx> (Year: 2020).\*

(Continued)

*Primary Examiner* — Kathleen L Jones

*Assistant Examiner* — Cole Sanders Holman

(74) *Attorney, Agent, or Firm* — Rumit Ranjit Kanakia

(57) **CLAIM**

The ornamental design for a cat tree, as shown and described.

**DESCRIPTION**

FIG. 1 is a front perspective view of a cat tree showing my new design;

FIG. 2 is a front view thereof;

FIG. 3 is a rear view thereof;

FIG. 4 is a left side view thereof;

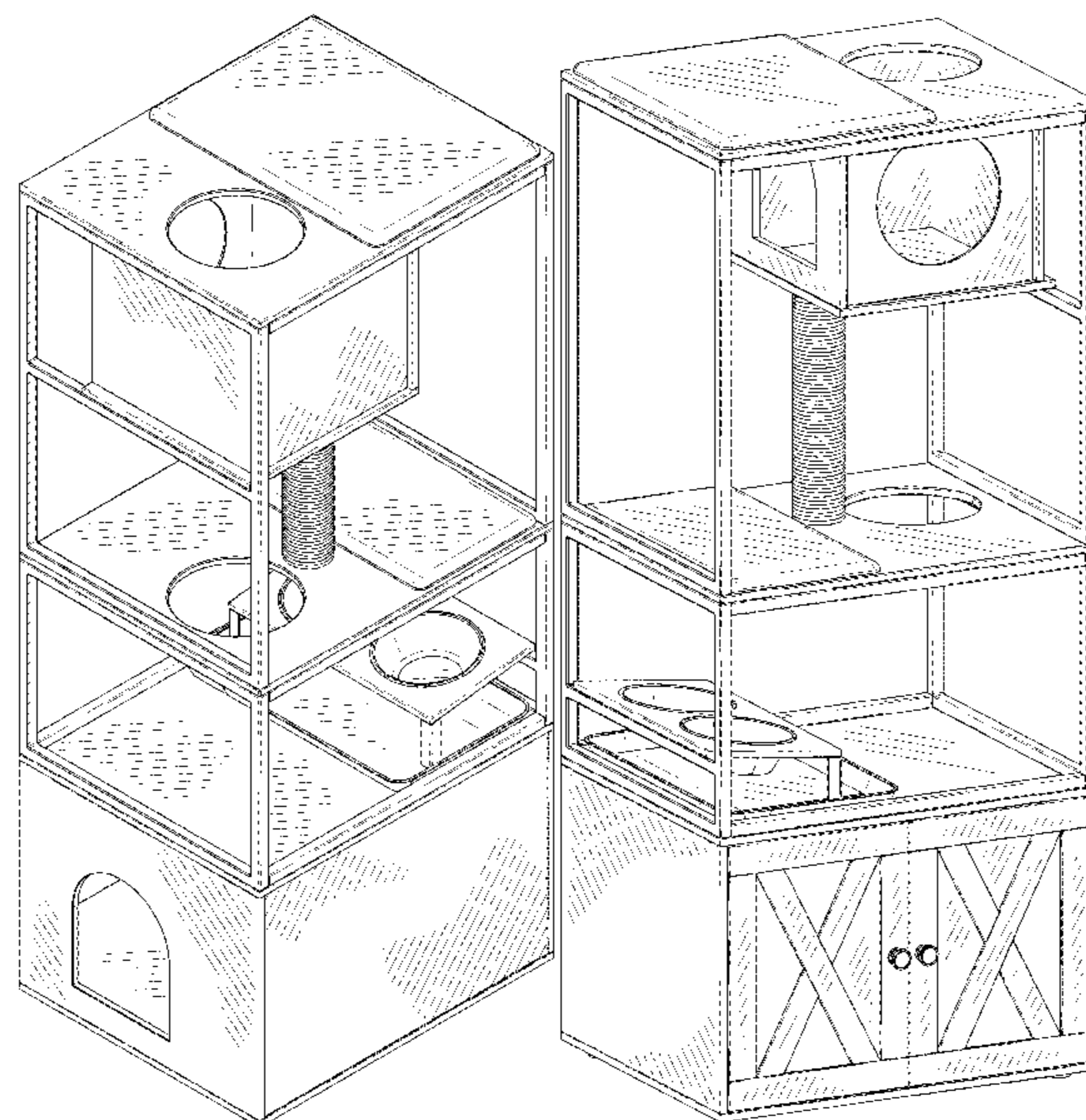
FIG. 5 is a right side view thereof;

FIG. 6 is a top view thereof;

FIG. 7 is a bottom view thereof; and,

FIG. 8 is another perspective view thereof.

**1 Claim, 8 Drawing Sheets**



(56)

**References Cited**

OTHER PUBLICATIONS

Kimmel 58" Cat Condo. Kimmel, inhomelivings.com (online) 10 pages. Posted Unknown. [Retrieved Jan. 9, 2023] <https://www.inhomelivings.com/products/rustic-brown-black-kimmel-58-cat-condo-perfect-napping-or-playing> (Year: NA).\*

Yoo Kwangbok, KR Design No. 300926030.0000, published at Orbit, publication date Oct. 17, 2017. Site visited Jan. 9, 2023. Available from internet. (Year: 2017).\*

\* cited by examiner

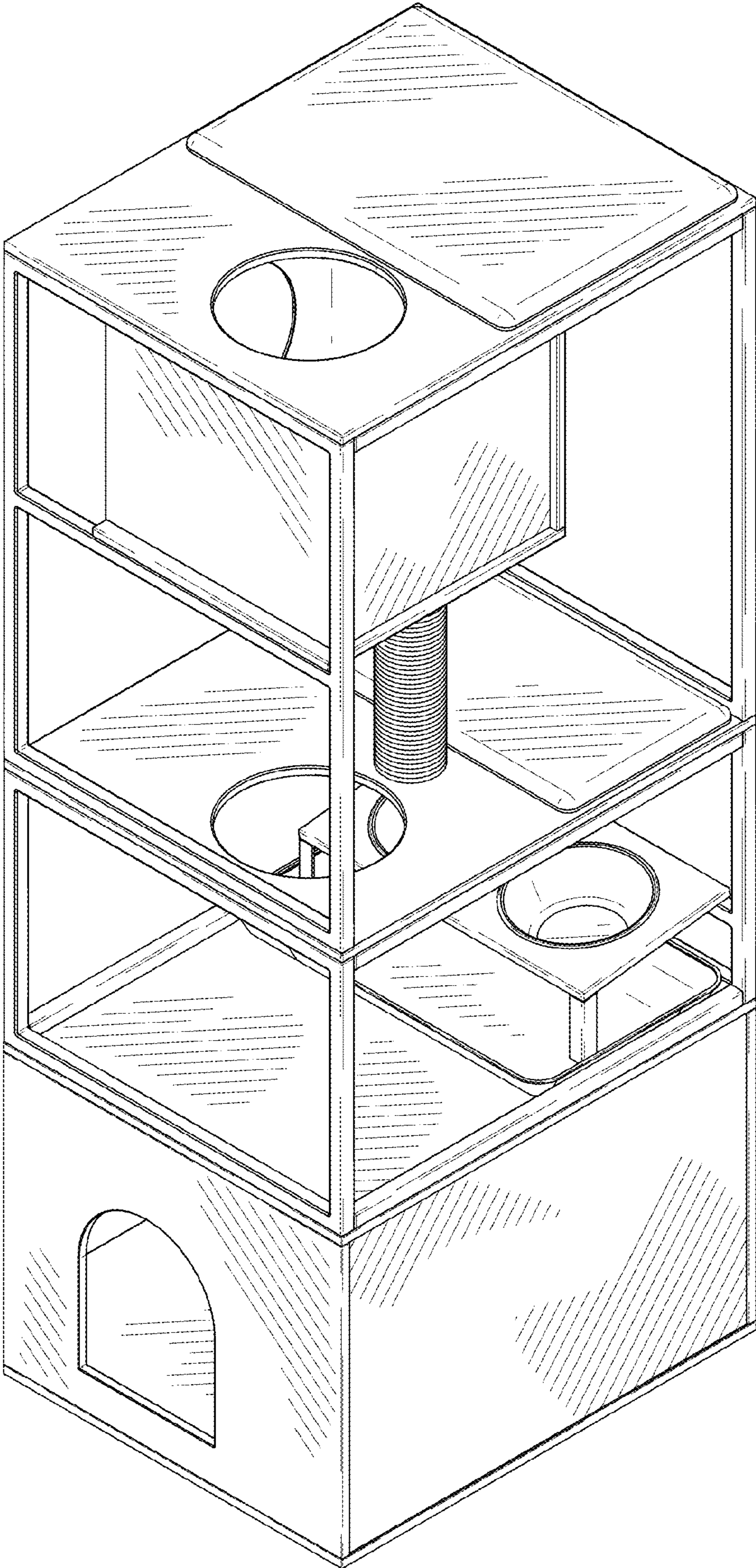


FIG. 1

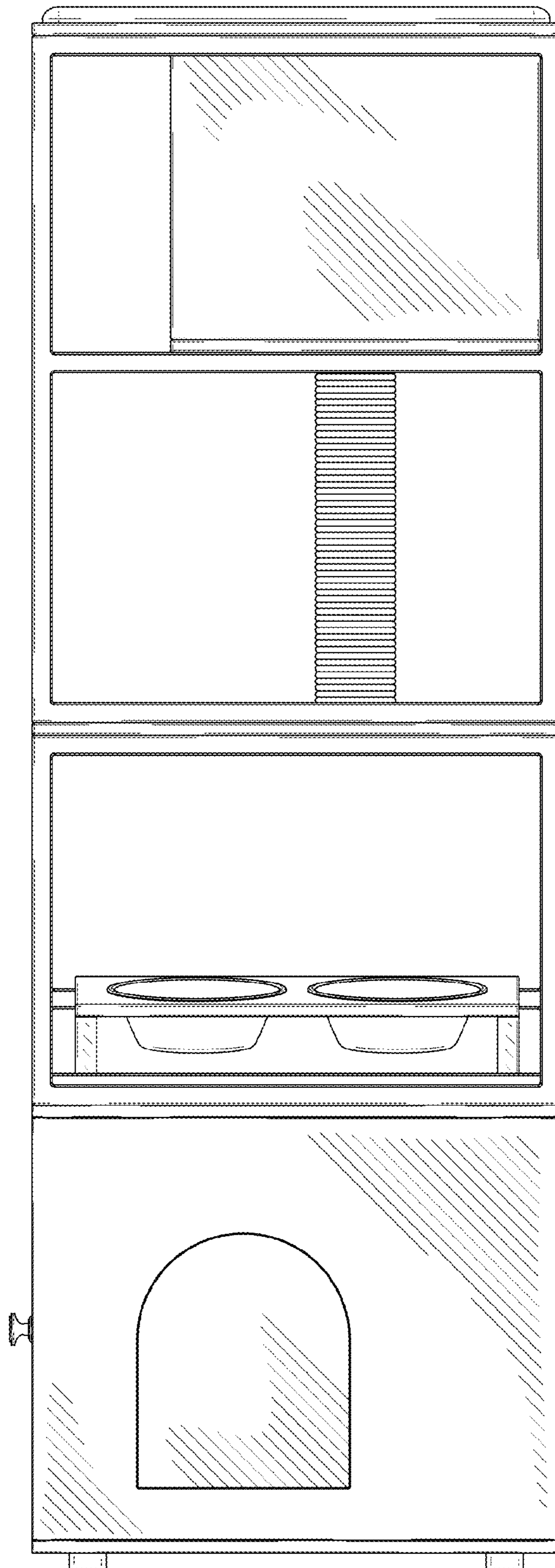


FIG. 2

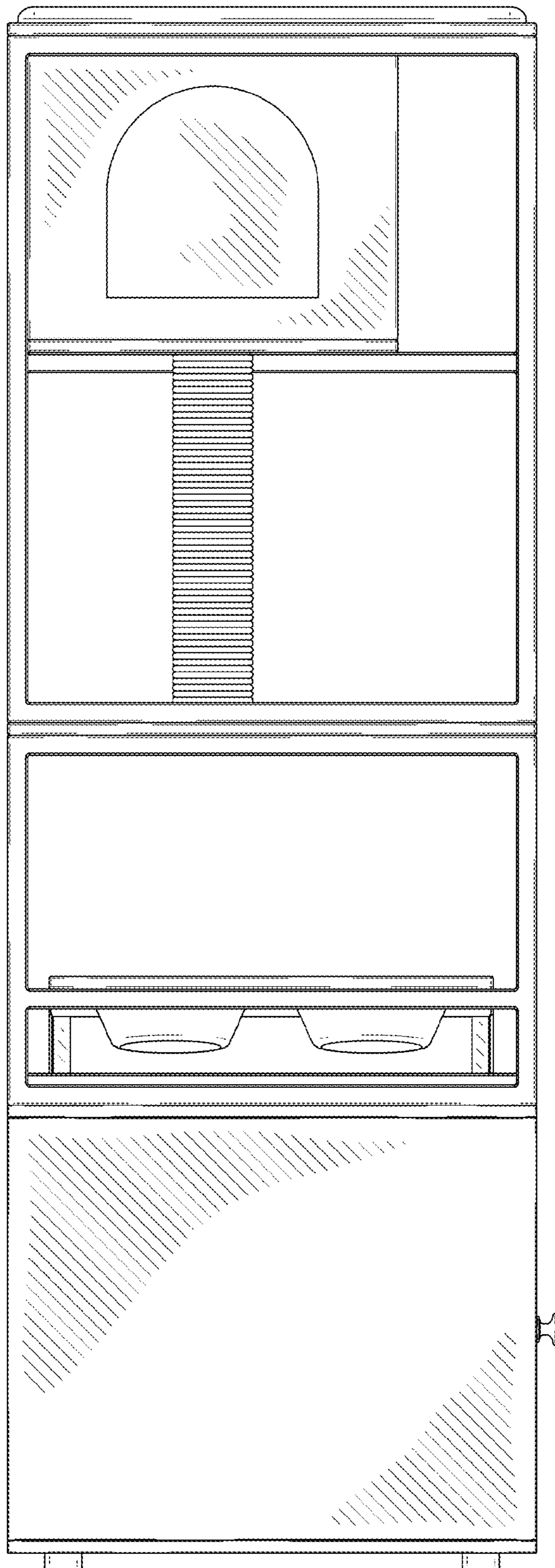


FIG. 3

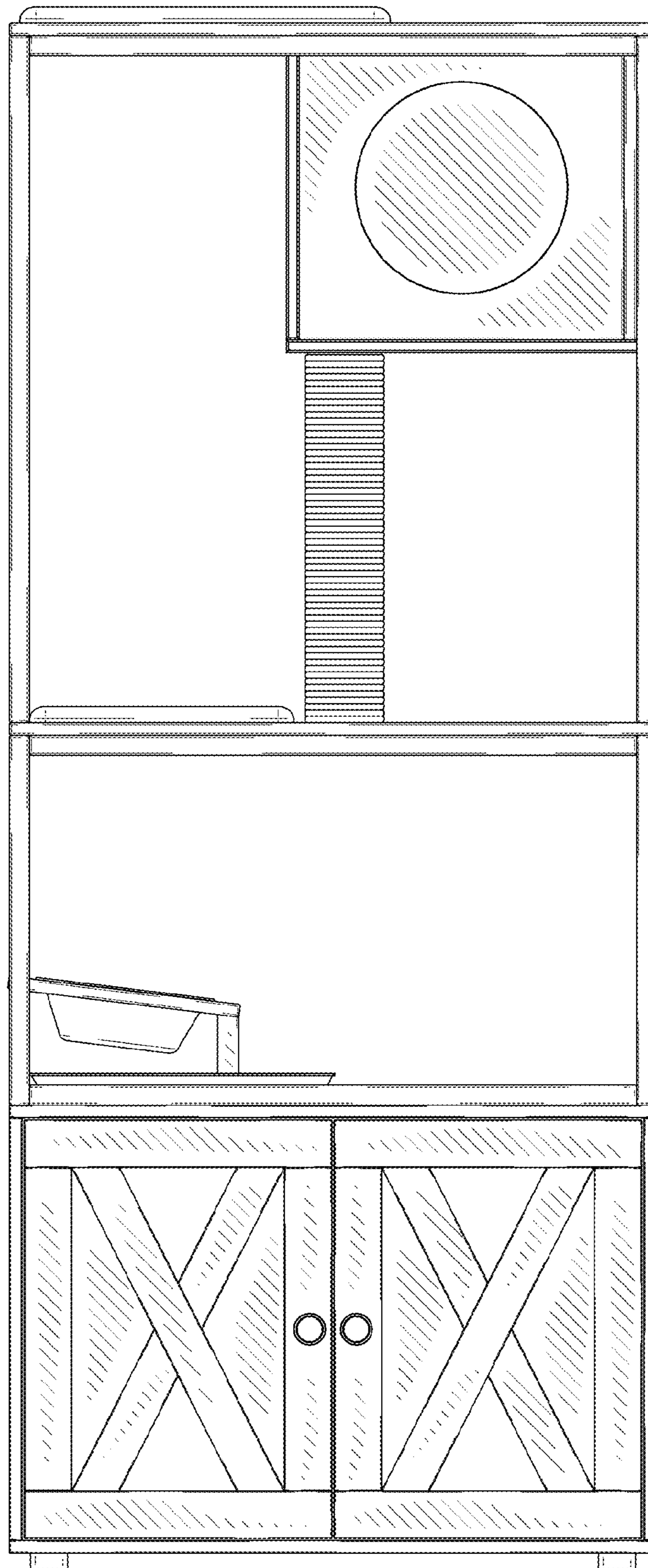


FIG. 4

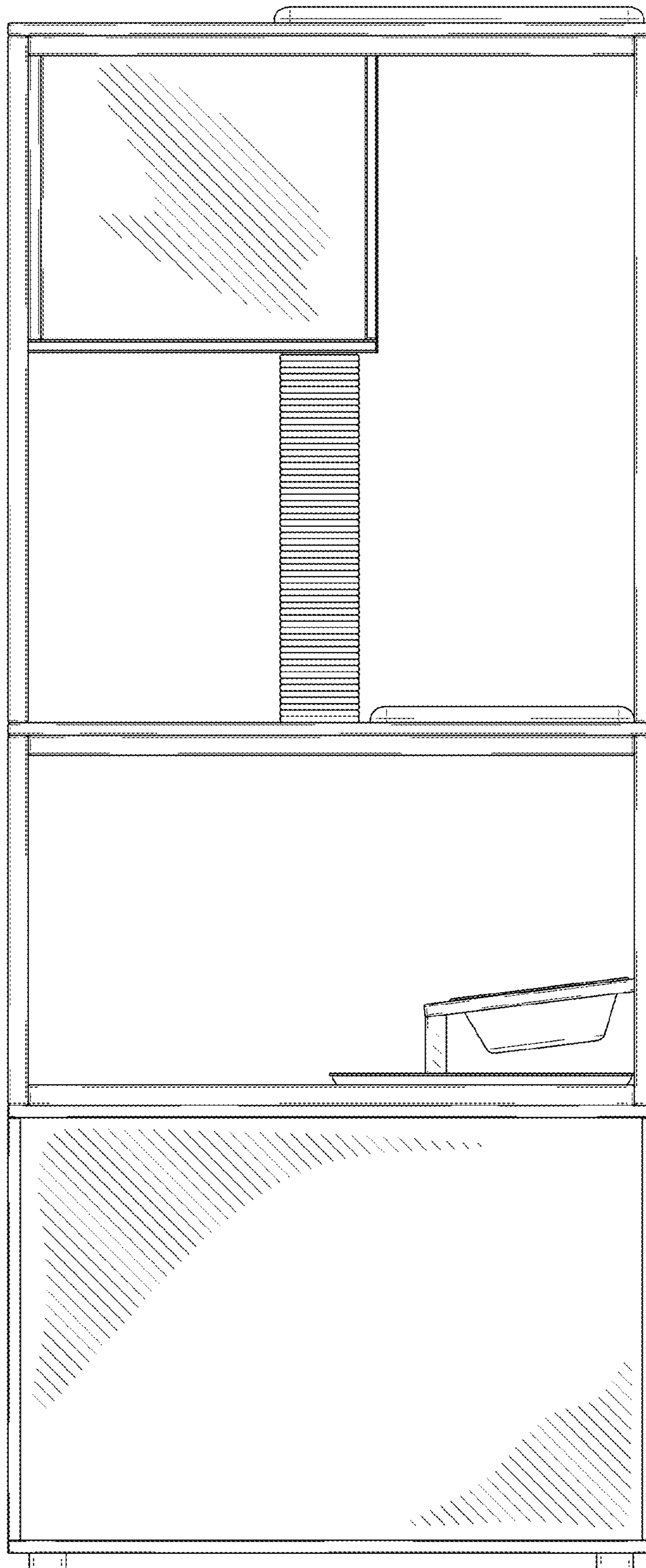


FIG. 5

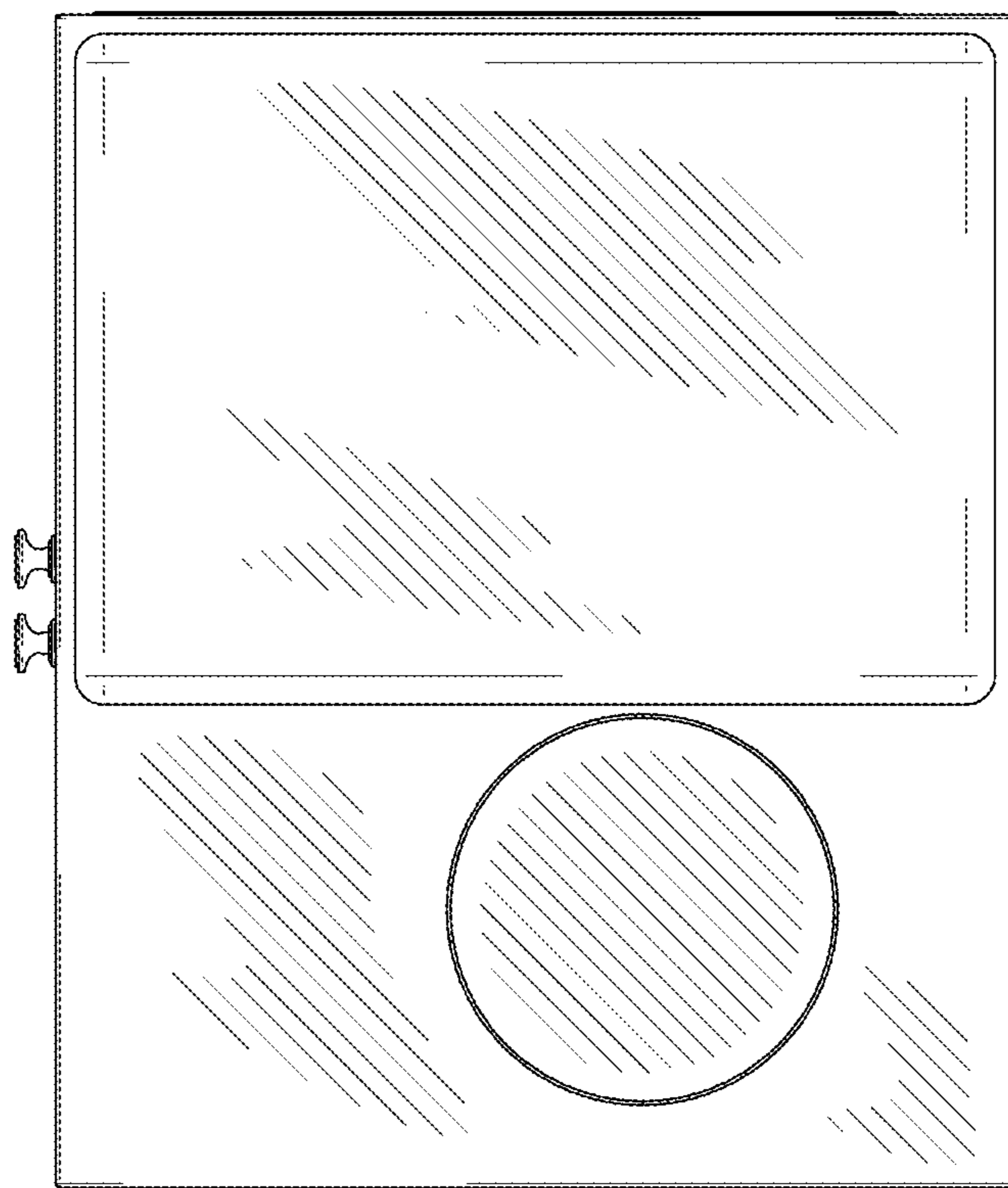


FIG. 6



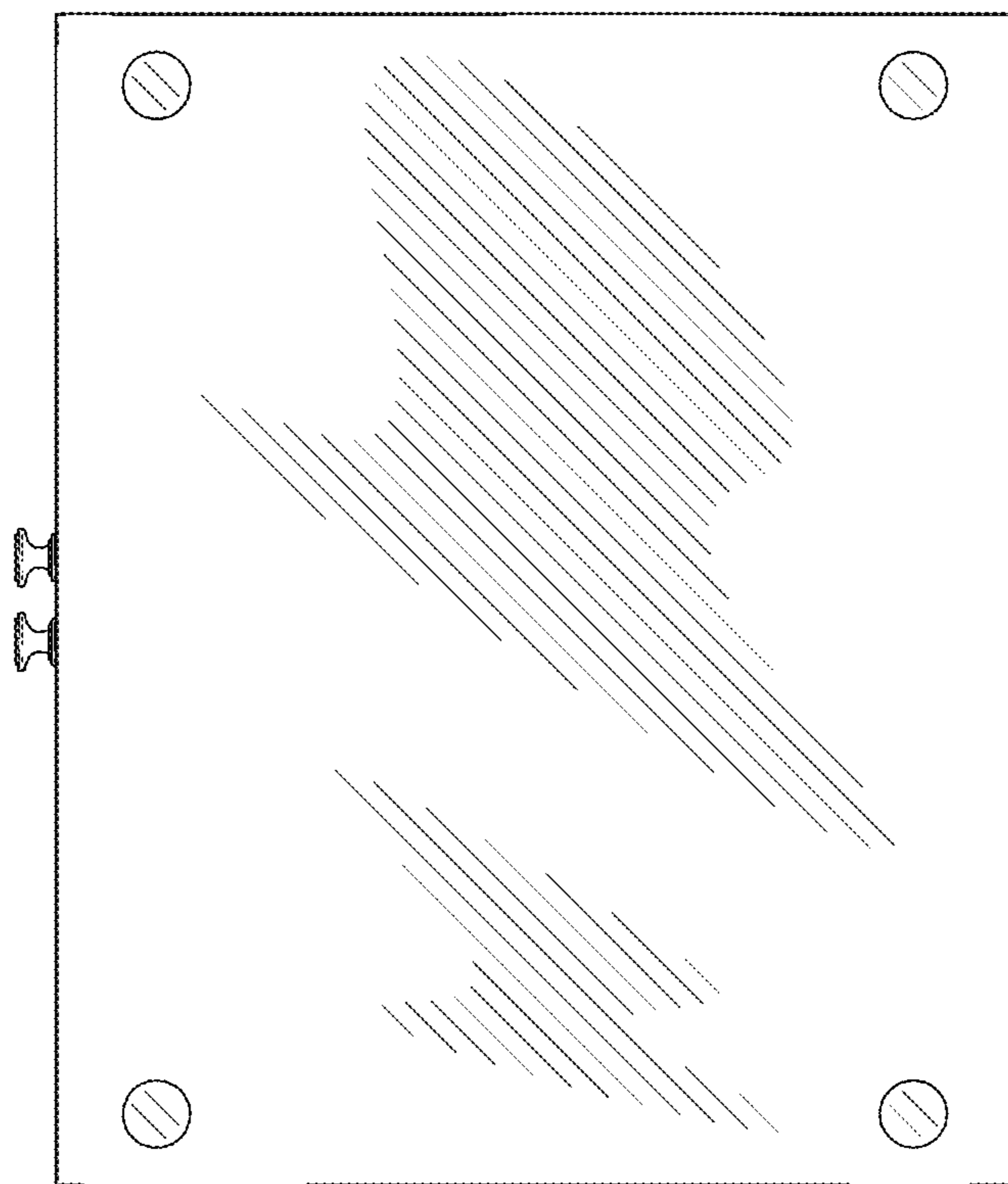


FIG. 7

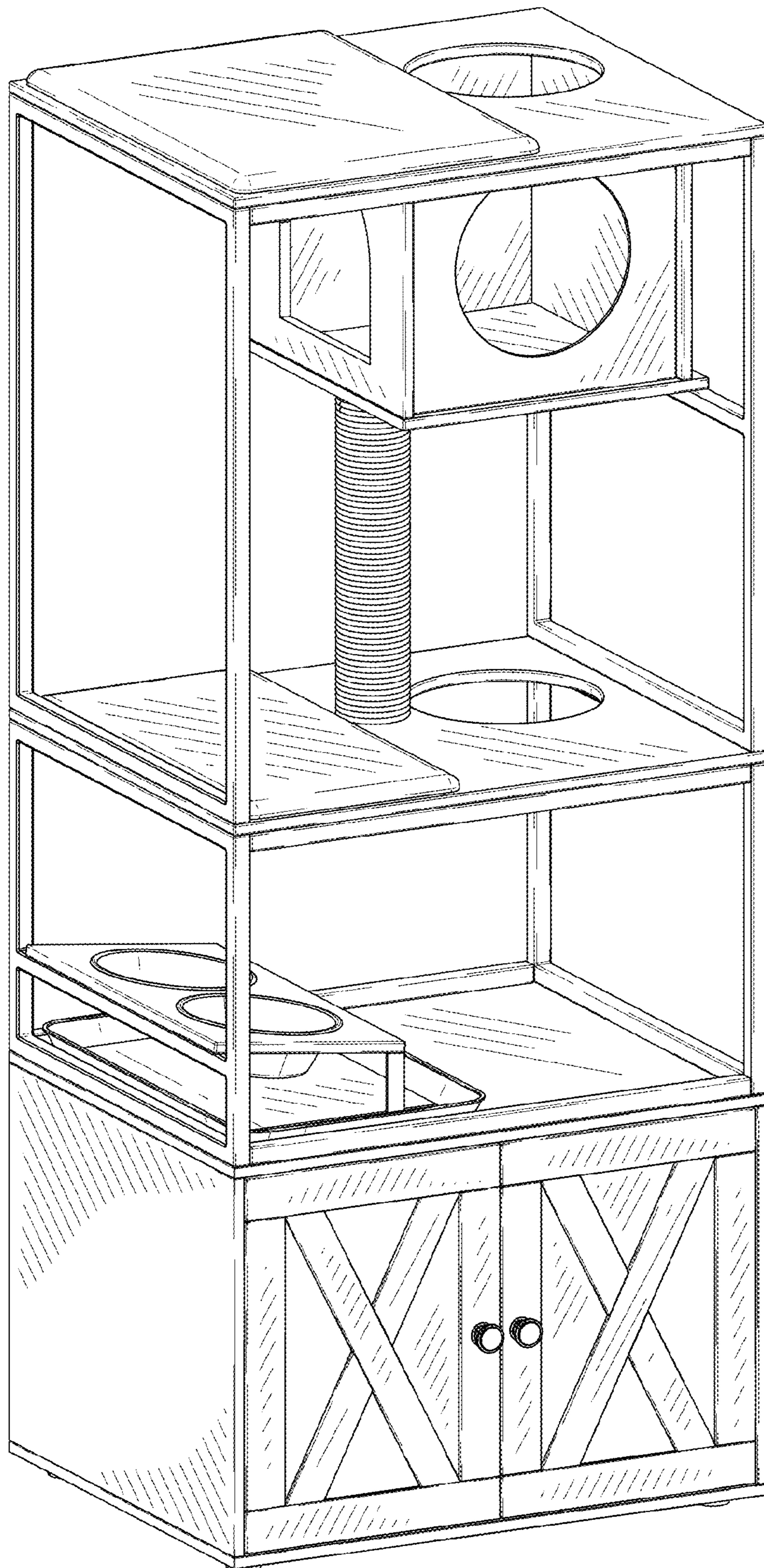


FIG. 8