



US00D981657S

(12) **United States Design Patent**
Wen

(10) **Patent No.:** **US D981,657 S**
(45) **Date of Patent:** **** Mar. 21, 2023**

(54) **PET CHEW TOY**

D908,294 S * 1/2021 Liang D30/160
D932,938 S * 10/2021 Baigh D12/88
D953,659 S * 5/2022 Aurariu D30/158

(71) Applicant: **Shenzhen TIZE Technology Co., Ltd.**,
Guangdong (CN)

FOREIGN PATENT DOCUMENTS

(72) Inventor: **Jian Wen**, Guangdong (CN)

CN 306606424 * 6/2021
EM 008458087-000 * 3/2021
GB 6123517 * 3/2021

(73) Assignee: **Shenzhen TIZE Technology Co., Ltd.**,
Guangdong (CN)

OTHER PUBLICATIONS

(**) Term: **15 Years**

PcEoTllar Dog Squeaky Toys, posted Apr. 21, 2021 [online],
[retrieved Nov. 8, 2022]. Retrieved from internet <https://www.amazon.com/PcEoTllar-Squeaky-Toothbrush-Interactive-Aggressive/dp/B096XFZTPT> (Year: 2021).*

(21) Appl. No.: **29/777,386**

(Continued)

(22) Filed: **Apr. 6, 2021**

Primary Examiner — Sheryl Lane

(30) **Foreign Application Priority Data**

Feb. 2, 2021 (CN) 202130073541.8

Assistant Examiner — Emily A Caven

(51) **LOC (14) Cl.** **30-12**

(74) *Attorney, Agent, or Firm* — ScienBiziP, P.C.

(52) **U.S. Cl.**

(57) **CLAIM**

USPC **D30/160**

The ornamental design for a pet chew toy, as shown and described.

(58) **Field of Classification Search**

DESCRIPTION

USPC D30/160; D12/88, 89, 91, 108;
D21/433, 533, 549, 550

FIG. 1 is a front, left, and top perspective view of a pet chew toy, showing my design.

CPC A01K 15/025; A01K 15/026
See application file for complete search history.

FIG. 2 is a rear, right, and bottom perspective view thereof.

(56) **References Cited**

U.S. PATENT DOCUMENTS

D266,343 S * 9/1982 Hilko D21/550
D328,110 S * 7/1992 Barker D21/550
D508,963 S * 8/2005 Discoe D21/550
D528,041 S * 9/2006 Costa D12/88
D577,778 S * 9/2008 Fink D21/550
D714,188 S * 9/2014 Bowlby D12/88
D842,556 S * 3/2019 Gutierrez D30/160
D884,296 S * 5/2020 Gick D30/160
D901,792 S * 11/2020 Wu D30/160

FIG. 3 is a front elevation view thereof.

FIG. 4 is a rear elevation view thereof.

FIG. 5 is a bottom plan view thereof.

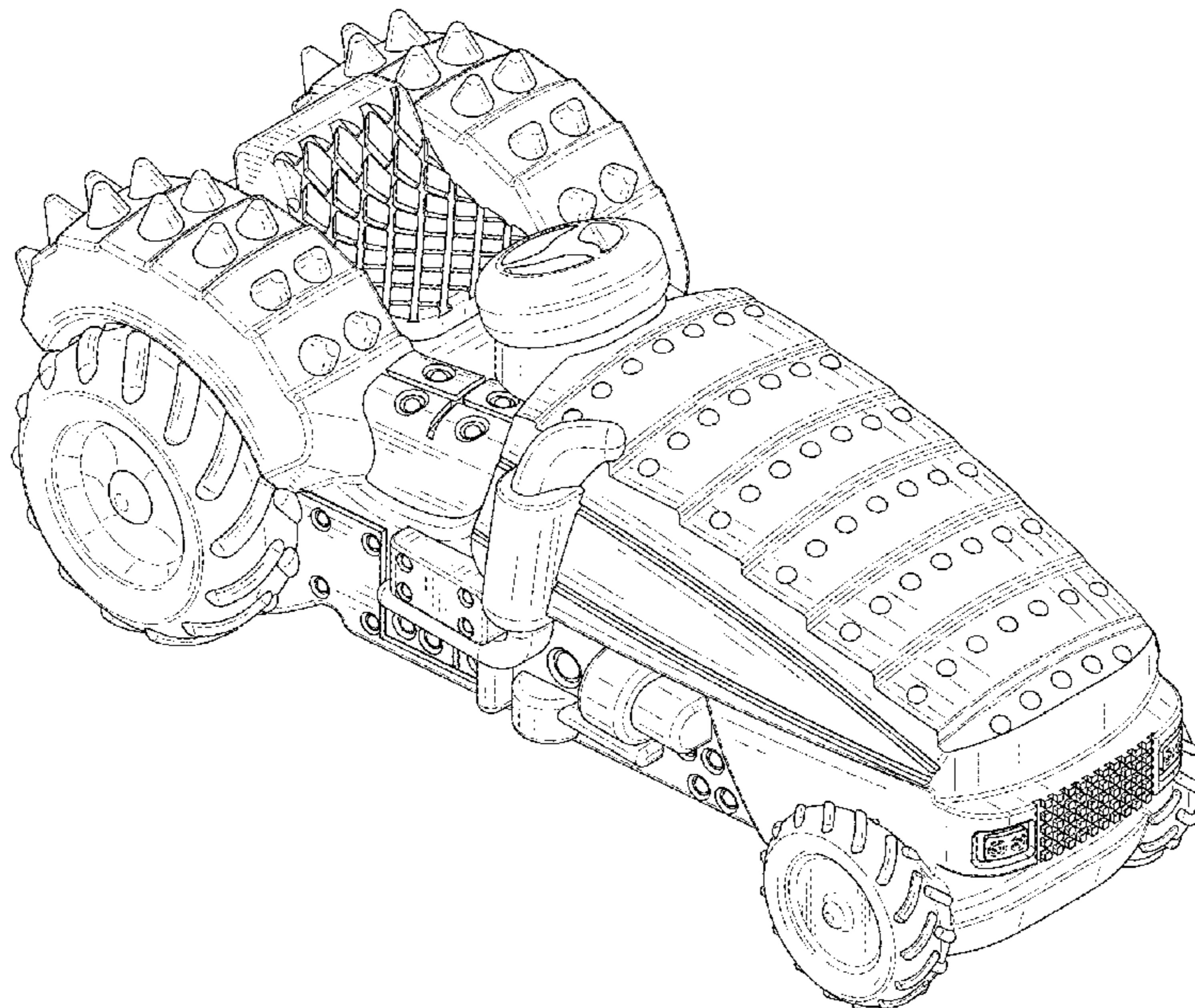
FIG. 6 is a top plan view thereof.

FIG. 7 is a left side elevation view thereof; and,

FIG. 8 is a right side elevation view thereof.

The broken lines shown in the drawings are included for the purpose of illustrating portions of the pet chew toy that form no part of the claimed design.

1 Claim, 8 Drawing Sheets



(56)

References Cited

OTHER PUBLICATIONS

MASBRILL Squeaky Dog Toys for Aggressive Chewers Weeder, posted May 25, 2021 [online], retrieved Nov. 8, 2022. Retrieved from internet <https://www.amazon.com/MASBRILL-Aggressive-Indestructible-Non-Toxic-Interactive/dp/B095SFTSM6> (Year: 2021).*

Rubber Squeaky Dog Chew Toys for Aggressive Chewers, date posted unknown [online], retrieved Nov. 8, 2022. Retrieved from internet https://www.alibaba.com/product-detail/Amazon-New-Release-Rubber-Dental-Teeth_1600210745823.html (Year: 2022).*

* cited by examiner

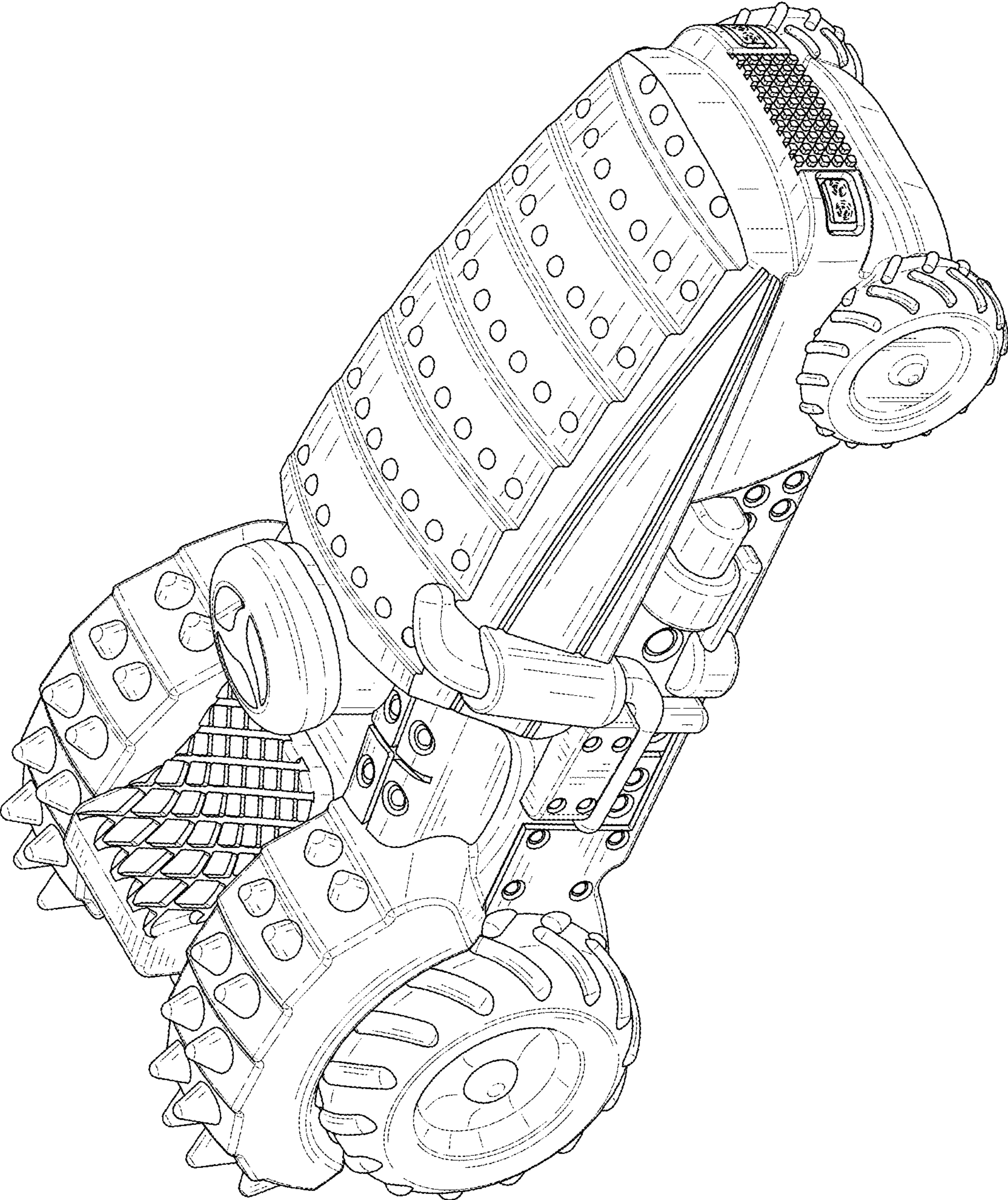


FIG. 1

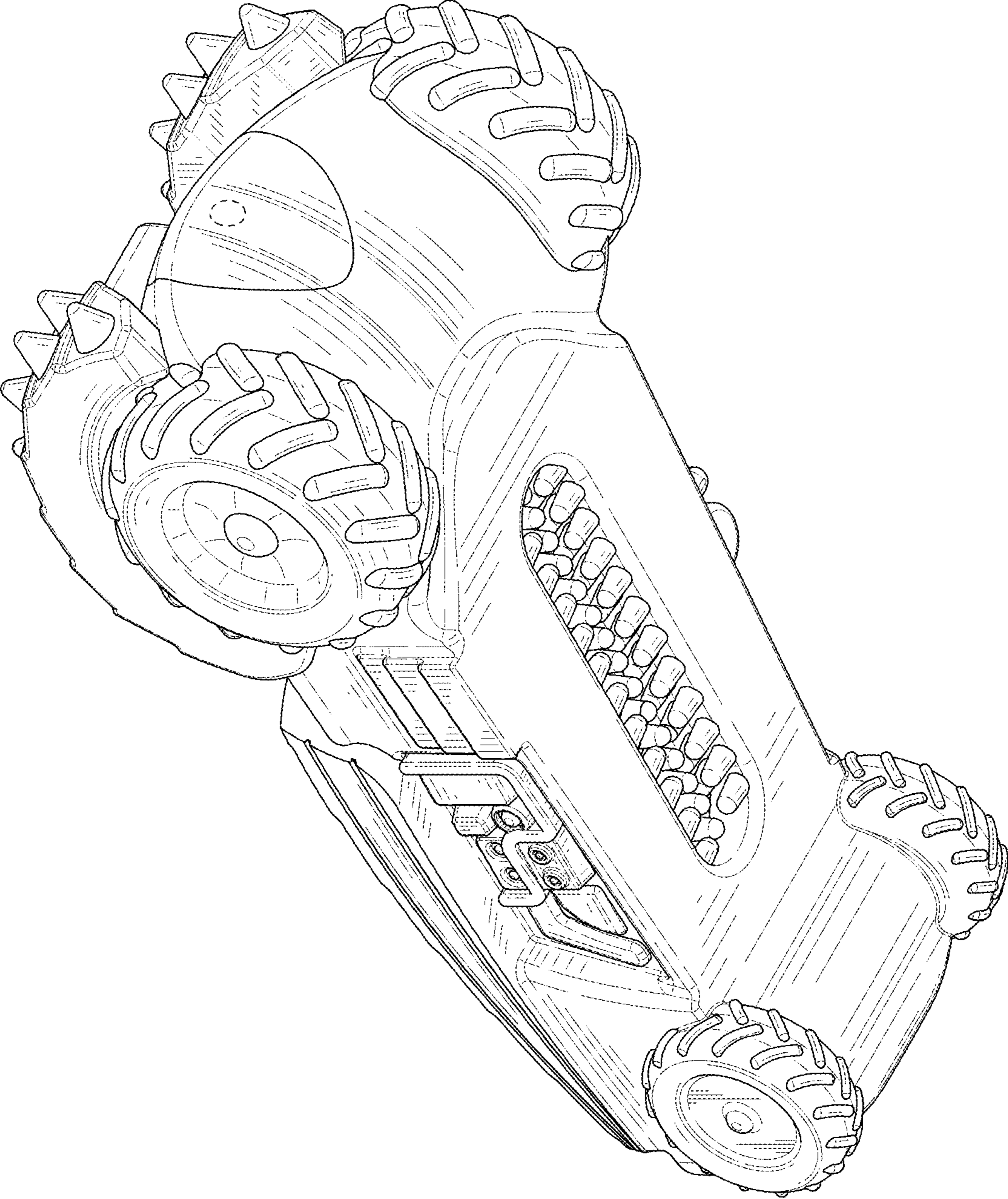


FIG. 2

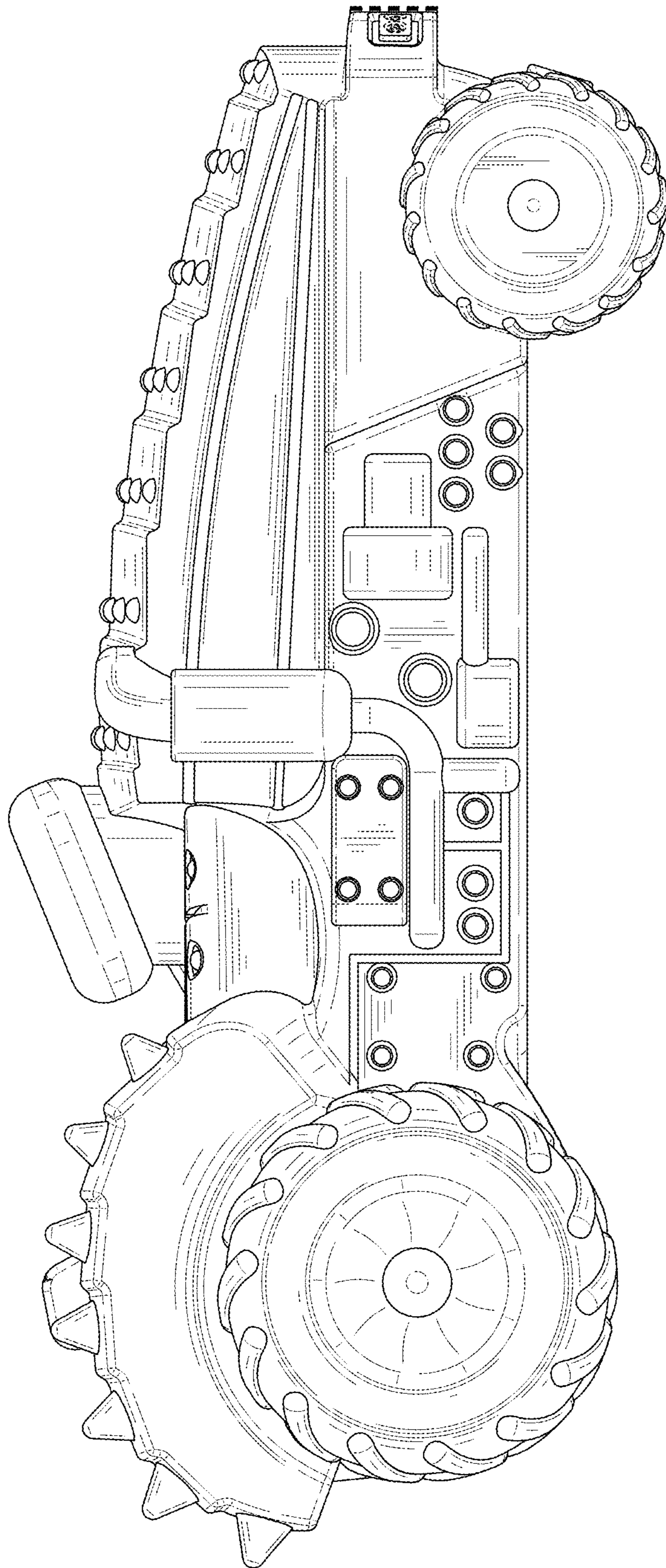


FIG. 3

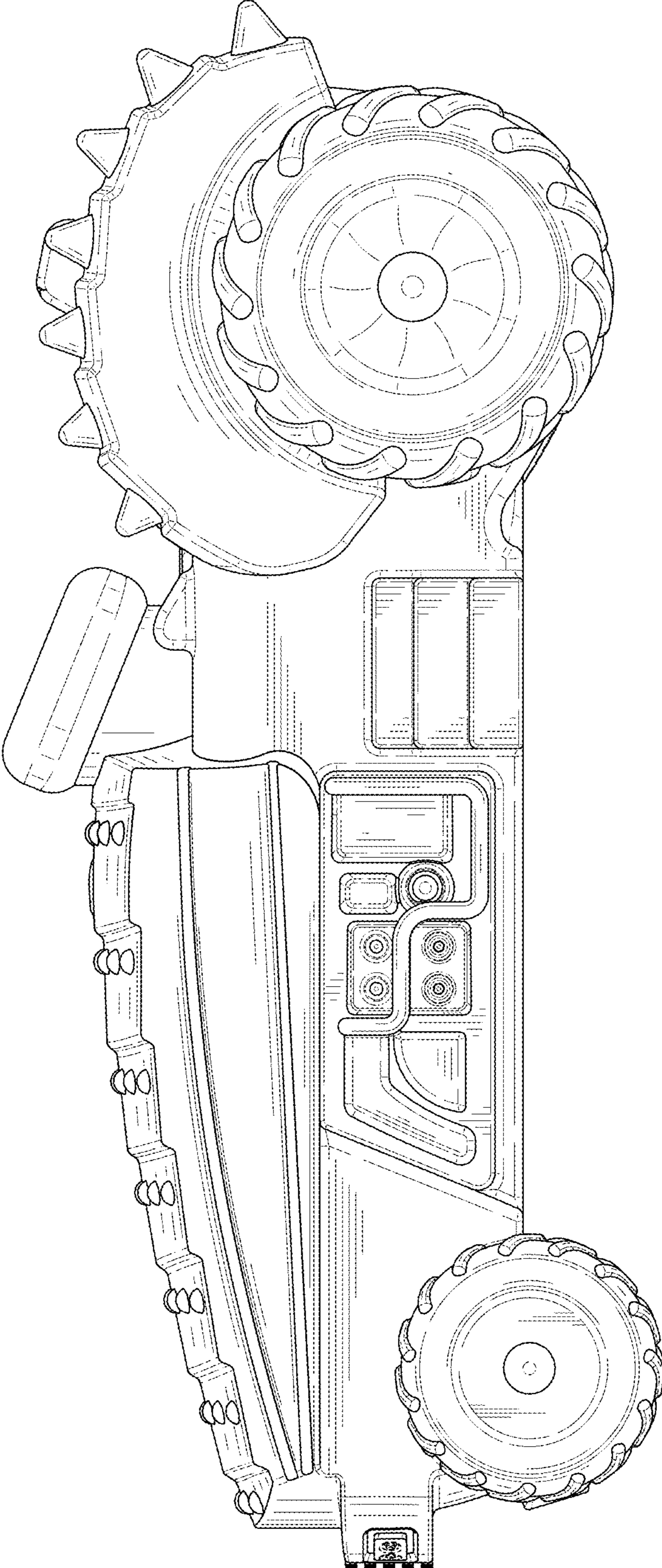


FIG. 4

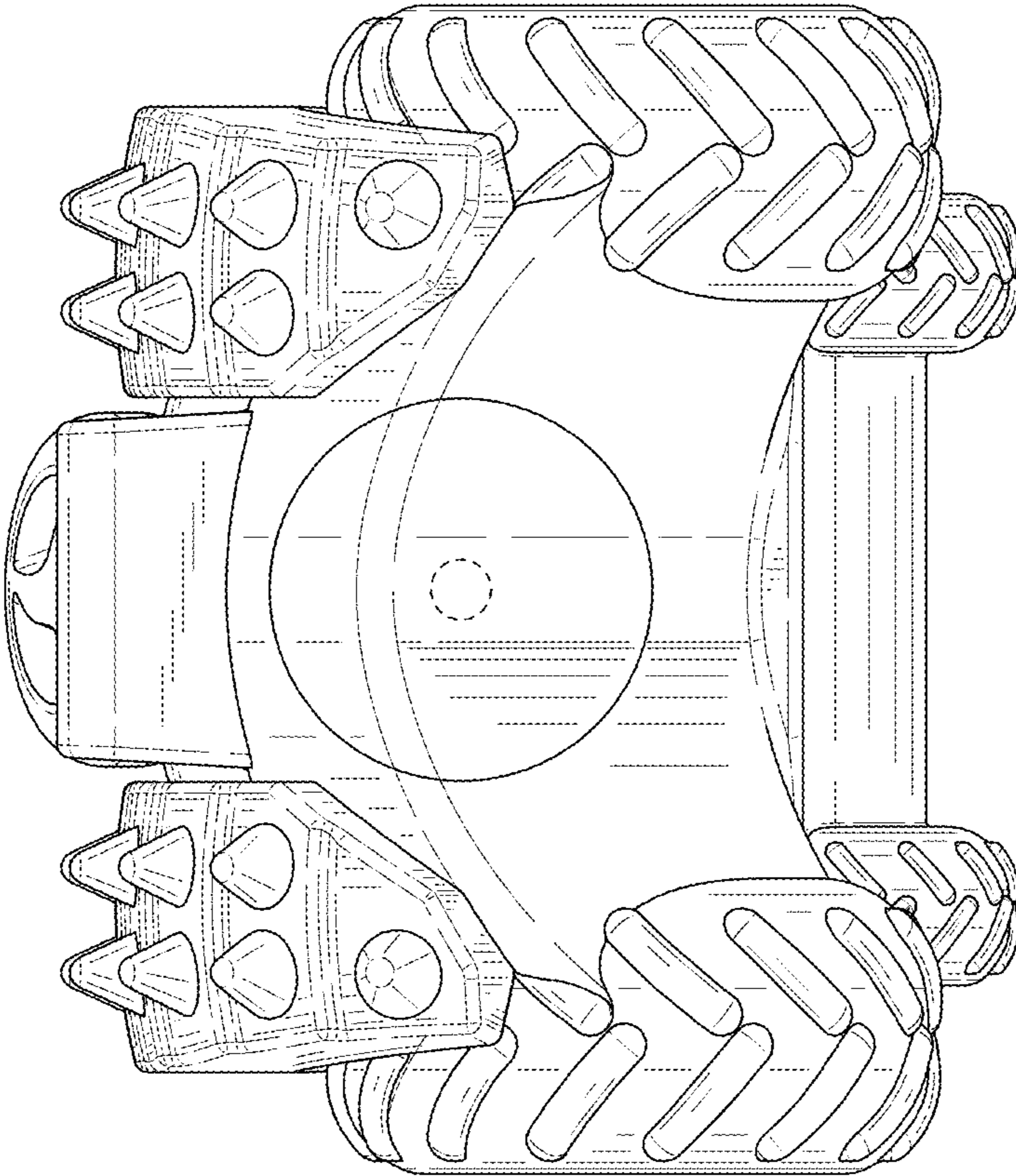


FIG. 5

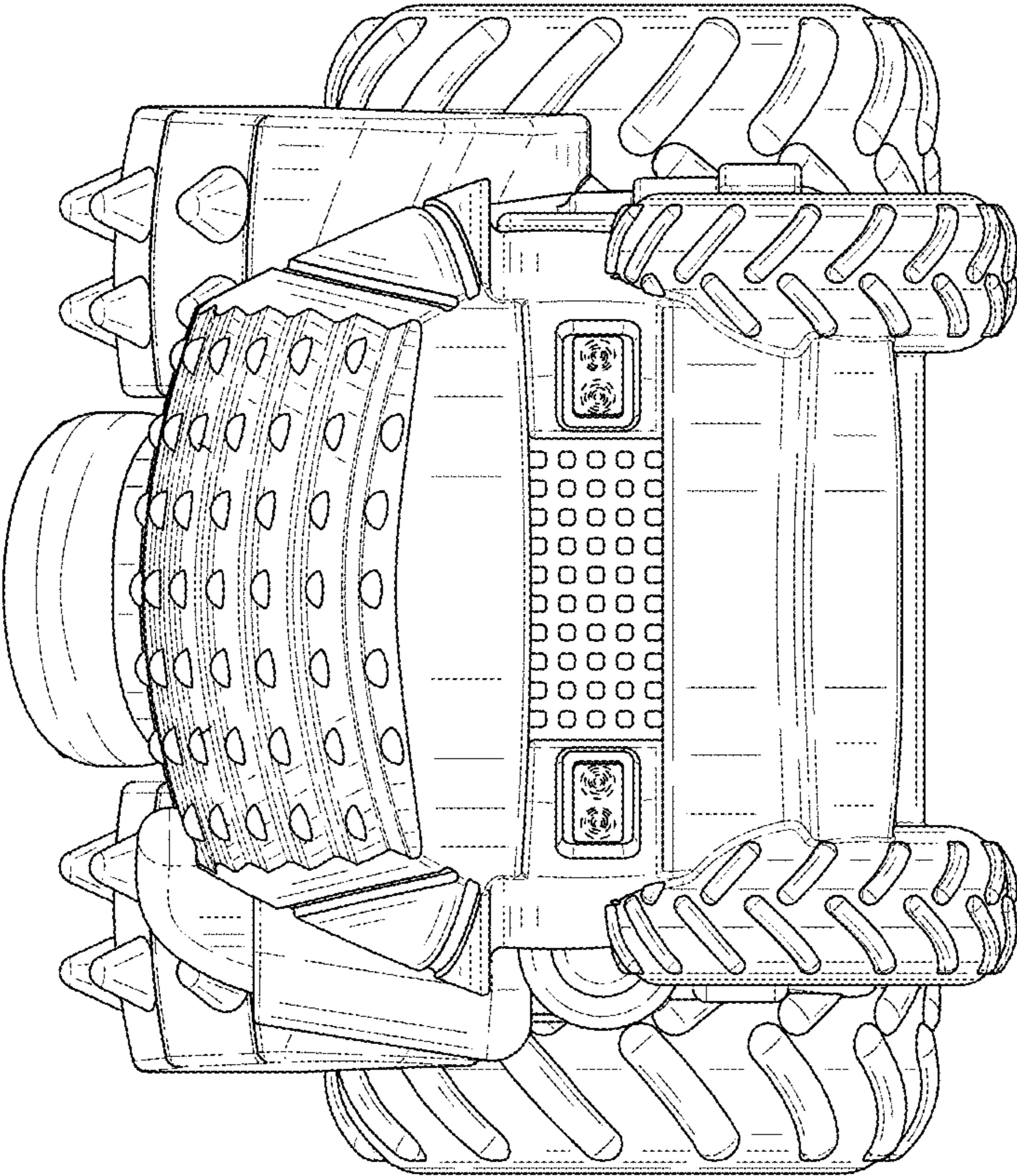


FIG. 6

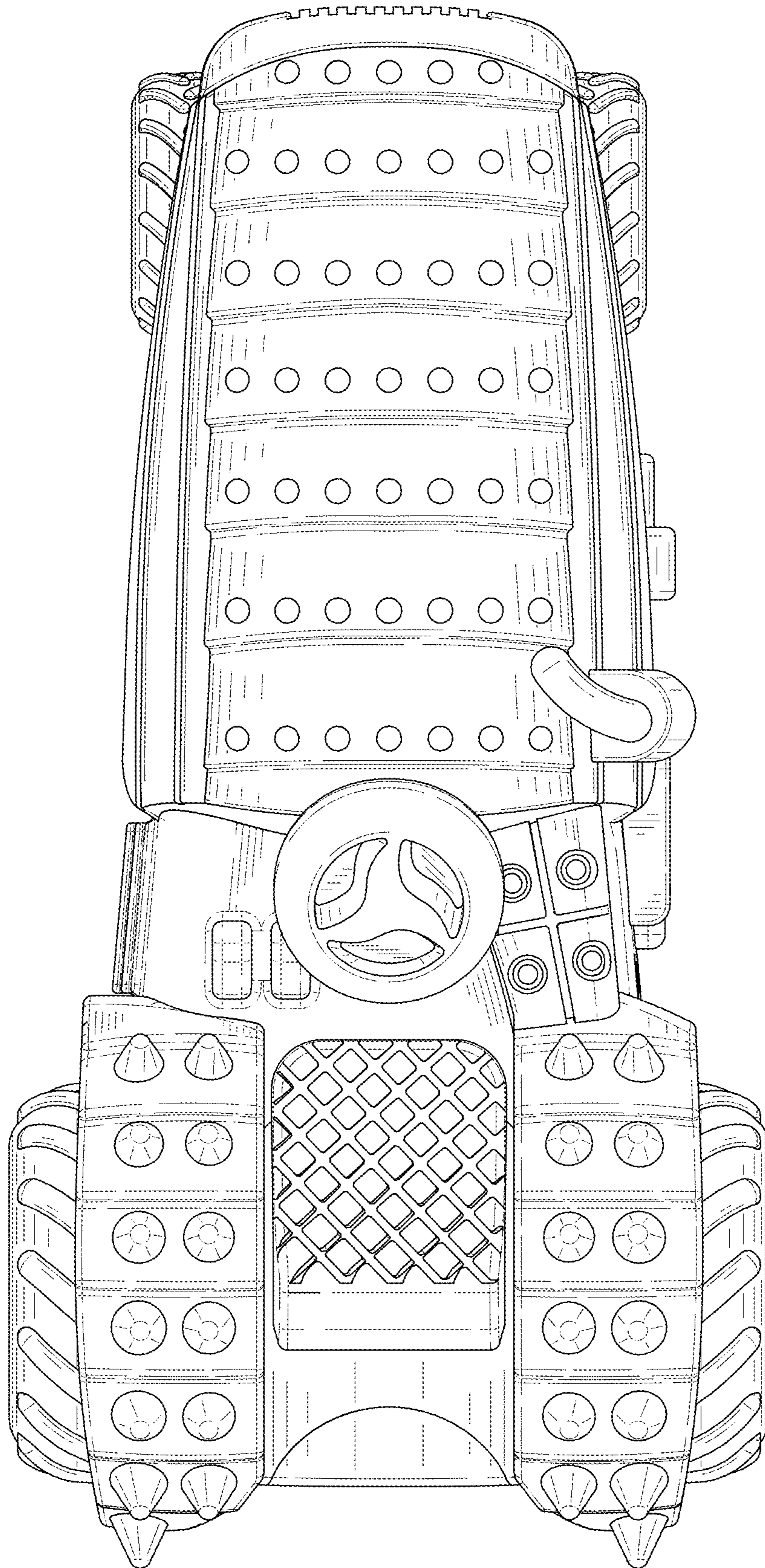


FIG. 7

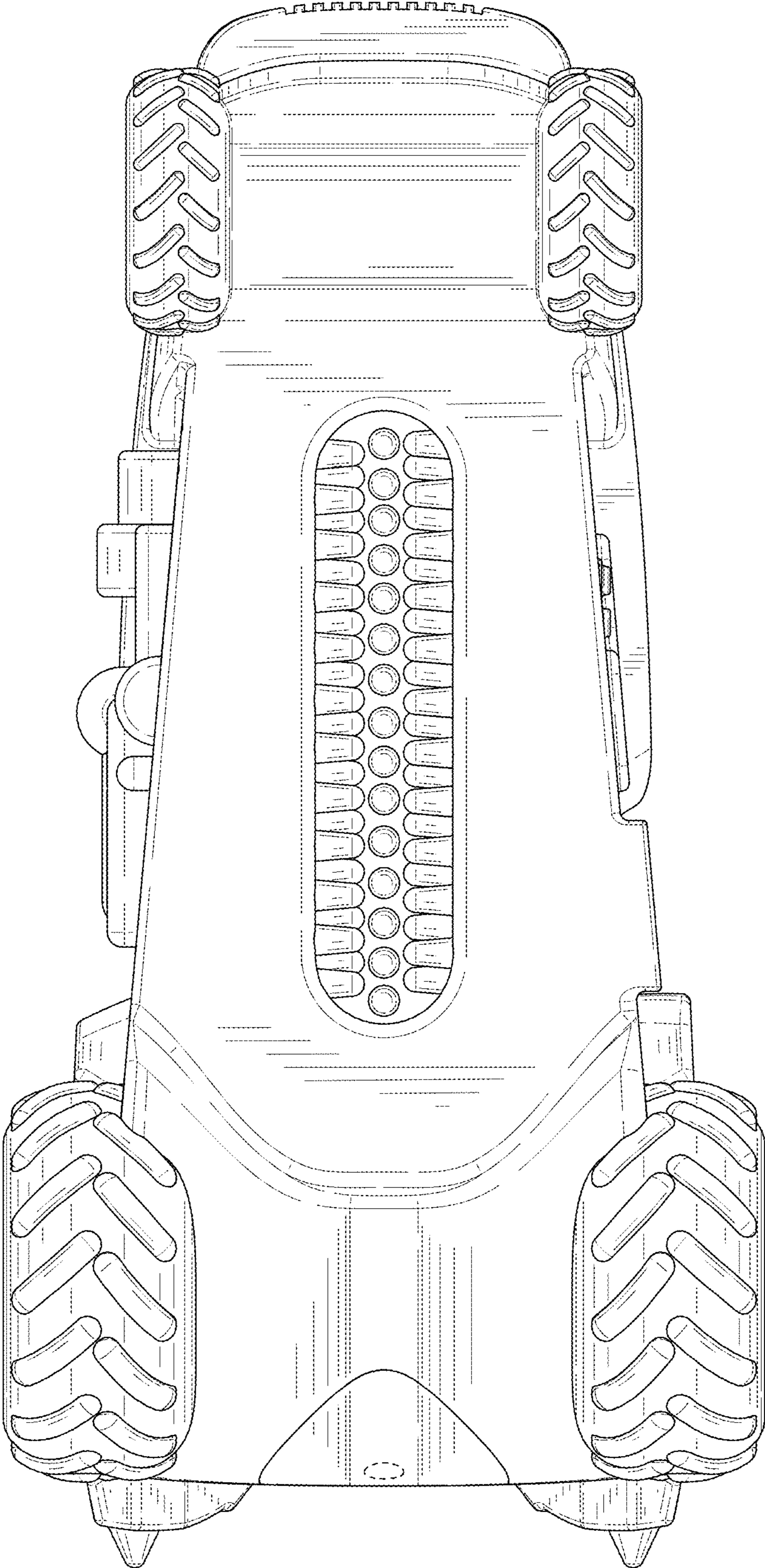


FIG. 8