



US00D981654S

(12) **United States Design Patent**
Gilmer

(10) **Patent No.:** **US D981,654 S**

(45) **Date of Patent:** **** *Mar. 21, 2023**

- (54) **STAKE**
- (71) Applicant: **STAKEBOSS LLC**, Hesperia, CA (US)
- (72) Inventor: **Tyrone Gilmer**, Hesperia, CA (US)
- (73) Assignee: **STAKEBOSS LLC**, Hesperia, CA (US)
- (*) Notice: This patent is subject to a terminal disclaimer.

- 3,456,660 A 7/1969 Borchardt
- D218,582 S 9/1970 Kiester et al.
- D243,351 S 2/1977 Laukhuf
- D245,032 S 7/1977 Hoffmann
- D250,281 S 11/1978 Laukhuf
- D287,156 S 12/1986 Sloane
- 4,745,706 A 5/1988 Muza et al.
- D298,975 S 12/1988 Pantoja et al.
- D299,374 S 1/1989 Williams
- 4,905,718 A 3/1990 Vandiver
- 4,907,522 A 3/1990 Lutzke

(Continued)

(**) Term: **15 Years**

(21) Appl. No.: **29/770,286**

(22) Filed: **Feb. 10, 2021**

Related U.S. Application Data

- (62) Division of application No. 29/661,227, filed on Aug. 25, 2018, now Pat. No. Des. 911,632.
- (51) **LOC (14) Cl.** **30-09**
- (52) **U.S. Cl.**
USPC **D30/154; D21/840**
- (58) **Field of Classification Search**
USPC D30/154; D12/215; D21/700, 840
CPC .. A01K 1/04; A01G 9/122; E02D 5/80; E04H
15/62; Y10S 119/905
See application file for complete search history.

(56) **References Cited**

U.S. PATENT DOCUMENTS

- D16,306 S 9/1885 Rogers
- 1,268,459 A 6/1918 Hjermstad
- 2,087,176 A 7/1937 Webb
- D108,719 S 3/1938 Morgan
- 2,775,252 A 12/1956 Finch
- 2,941,504 A 6/1960 Leroy
- 3,241,202 A 3/1966 Knauft
- 3,244,149 A 4/1966 Bosko et al.
- 3,285,218 A 11/1966 Gilbertson et al.

OTHER PUBLICATIONS

Tarpfang, The Beginning—Stake Boss, LLC. Found online Apr. 1, 2020 at www.stakeboss.com. Page dated Jan. 1, 2019. <https://stakeboss.com/tarpfang-the-beginning/> (2019).

(Continued)

Primary Examiner — Mary Ann Calabrese
Assistant Examiner — Katelin G Kloberg
(74) *Attorney, Agent, or Firm* — Loza & Loza, LLP;
Heidi Eisenhut

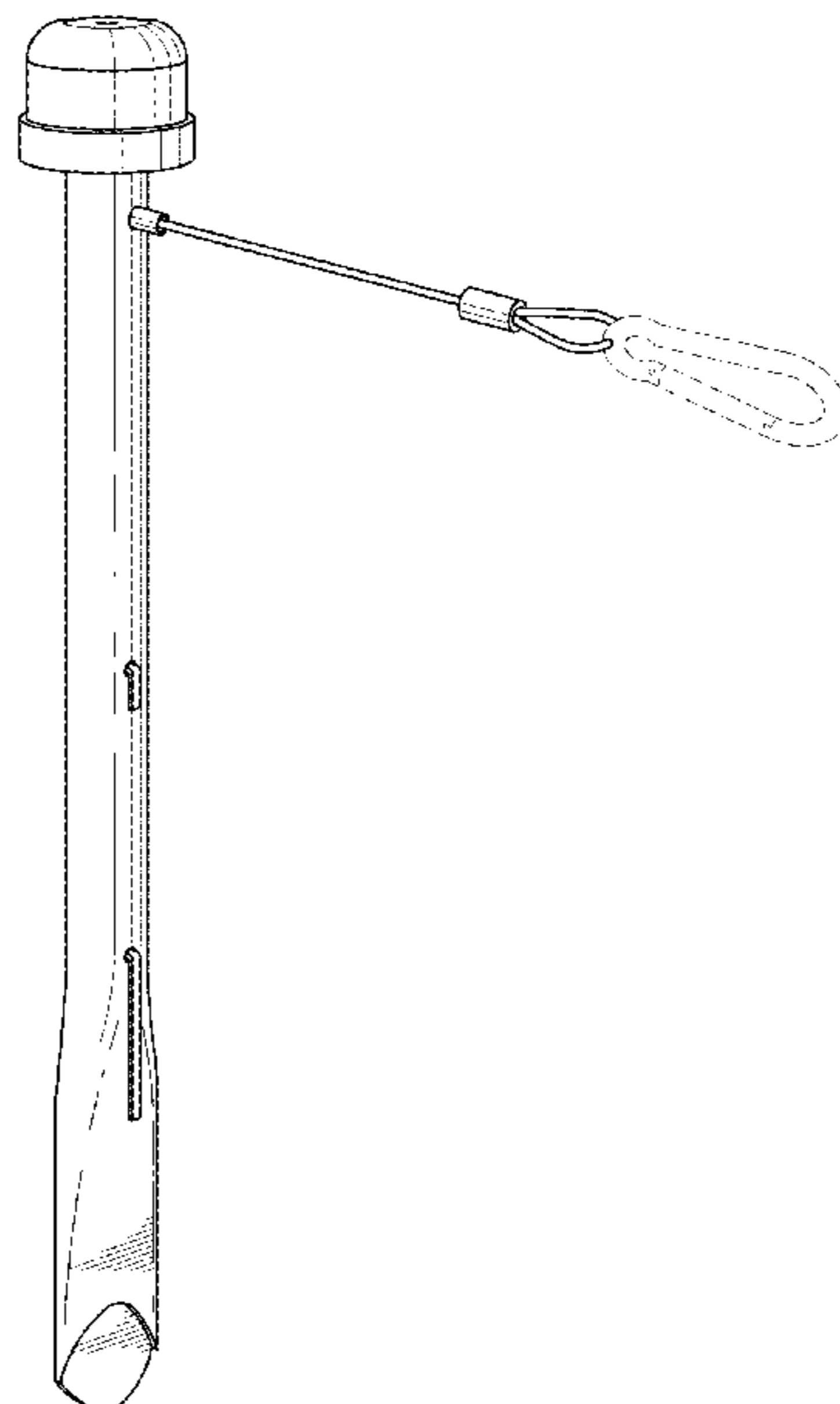
(57) **CLAIM**

The ornamental design for a stake, as shown and described.

DESCRIPTION

FIG. 1 is a top, back, right perspective view of a stake, showing my new design;
FIG. 2 is a right side elevation view thereof;
FIG. 3 is a left side elevation view thereof;
FIG. 4 is a front elevation view thereof;
FIG. 5 is a back elevation view thereof;
FIG. 6 is a top plan view thereof; and,
FIG. 7 is a bottom plan view thereof.
The broken lines depict environmental subject matter the forms no part of the claimed design.

1 Claim, 5 Drawing Sheets



(56)

References Cited

U.S. PATENT DOCUMENTS

D315,711 S 3/1991 Billings
 D325,870 S 5/1992 Niles
 D331,526 S 12/1992 Miller
 D349,937 S 8/1994 Hill
 5,463,834 A 11/1995 Krieger
 D364,785 S 12/1995 Archambeau
 D379,416 S 5/1997 Adams
 D477,118 S 7/2003 Kirch et al.
 D485,525 S 1/2004 Dvorak
 D492,976 S 7/2004 Hsu
 D493,205 S 7/2004 Combes
 D495,932 S 9/2004 Kopka
 D500,349 S * 12/2004 Benson D21/700
 6,938,384 B1 9/2005 Hodge
 D573,315 S 7/2008 Kelley et al.
 D632,442 S 2/2011 Beck
 D679,457 S 4/2013 Chance et al.
 D697,164 S 1/2014 Jan
 D787,419 S 5/2017 Michel
 D839,696 S 2/2019 Riddle
 D842,056 S * 3/2019 Golledge D8/1

D863,487 S 10/2019 Pieper
 D868,396 S * 11/2019 Gilmer D30/154
 D874,890 S 2/2020 Lazarov
 D877,578 S 3/2020 Ireland
 D890,449 S * 7/2020 Gilmer D30/154
 D904,697 S * 12/2020 Jammal D30/154
 D911,632 S * 2/2021 Gilmer D30/154
 D930,447 S * 9/2021 Labarre D30/154
 D947,976 S * 4/2022 Chen D21/840
 2010/0224139 A1 9/2010 Krieger
 2018/0347226 A1 12/2018 Gilmer

OTHER PUBLICATIONS

“MSR Core 4-Pack Tent Stake Kit.” Found online Apr. 1, 2020 at www.amazon.com. Product reviewed Jan. 29, 2019. <https://www.amazon.com/MSR-Core-4-Pack-Tent-Stake/> (2019).
 “Csdtylh 12 Pack Black Forged Steel Tent Pegs.” Found online Apr. 1, 2020 at www.amazon.com Product reviewed Feb. 8, 2018. (2018).
 “Tent andTable Heavy Duty Stake.” Product reviewed Jul. 8, 2017. www.amazon.com/TentandTable-Commercial-Inflatables-36-inch-Diameter (2017).

* cited by examiner

FIG. 1

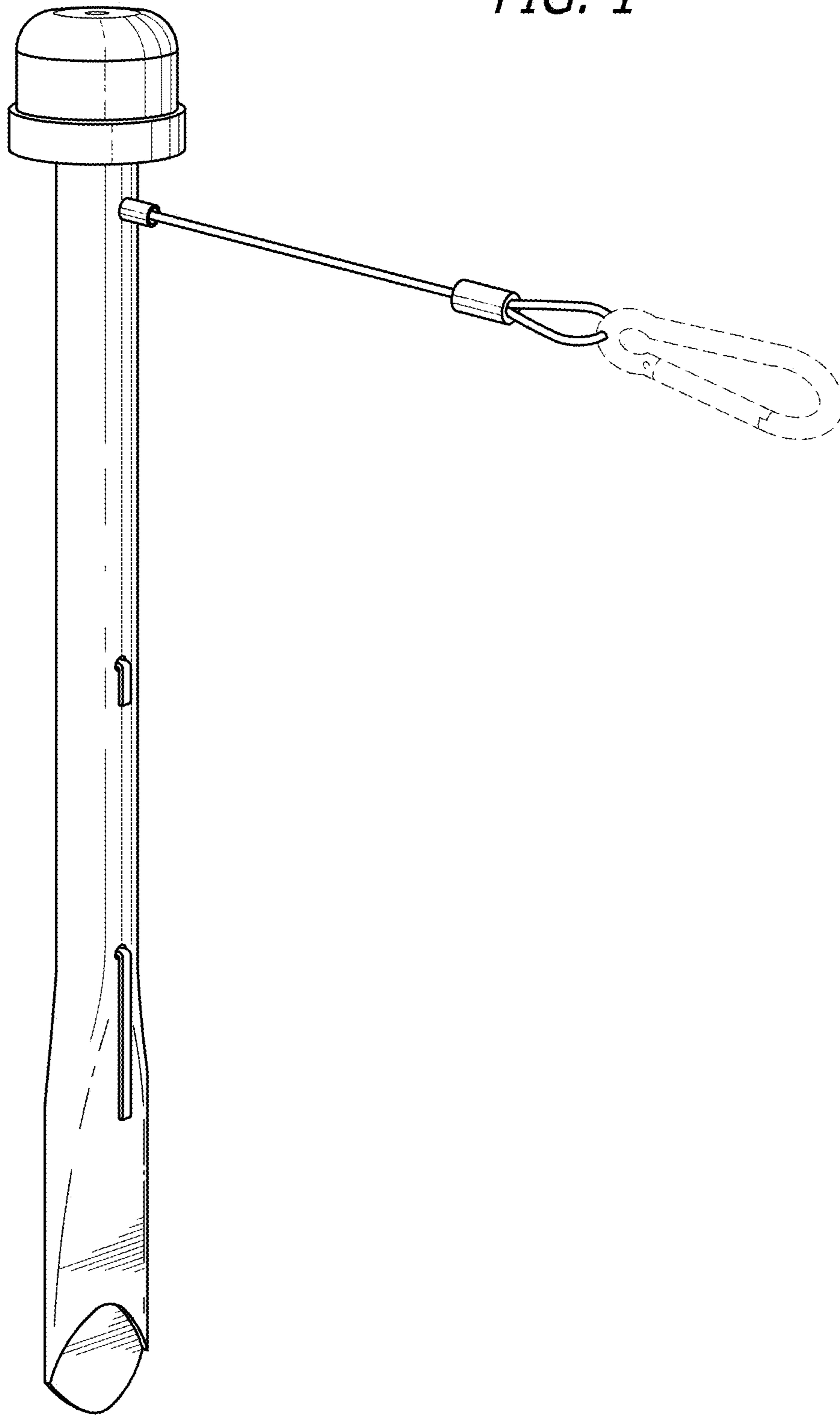


FIG. 2

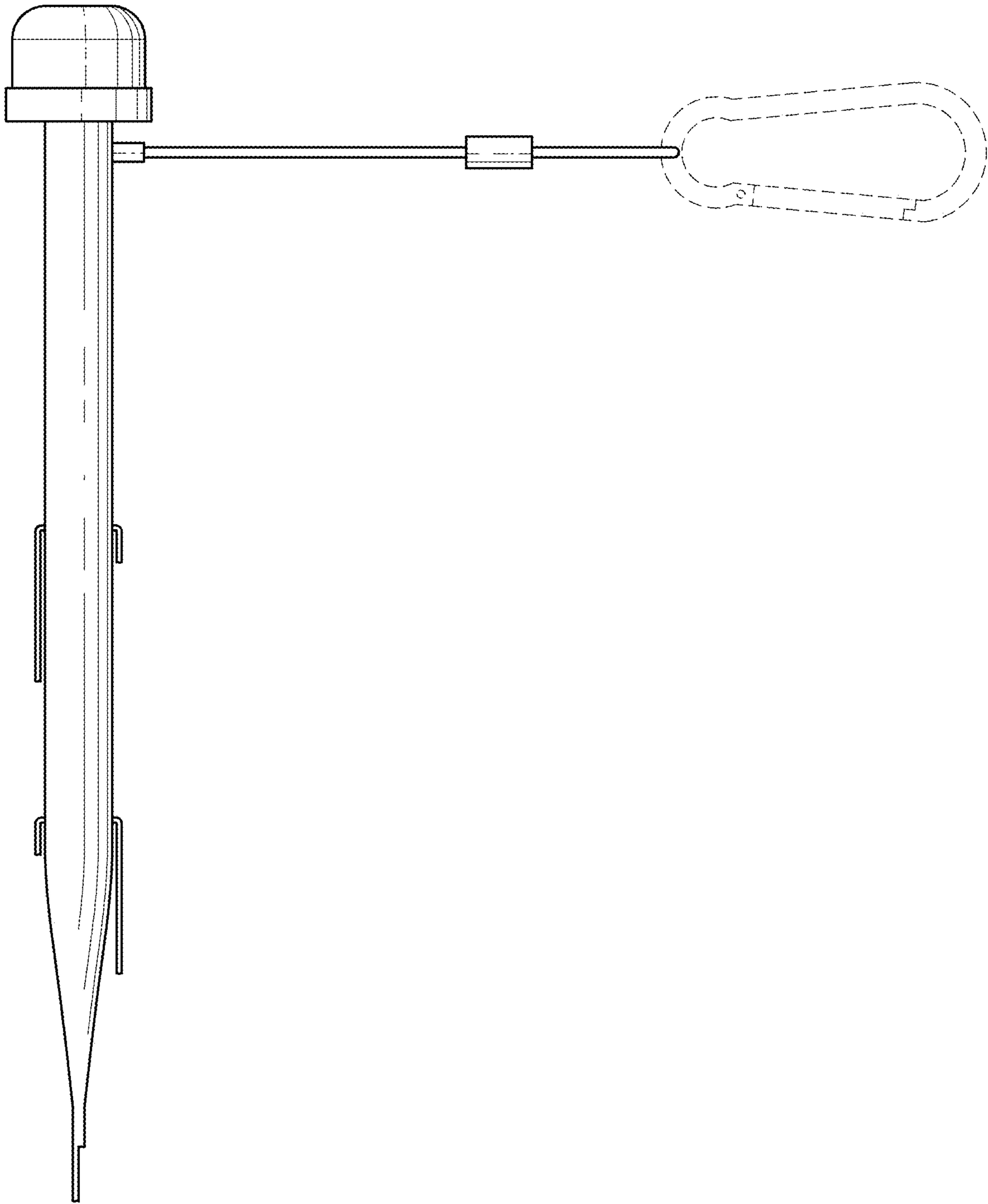


FIG. 3

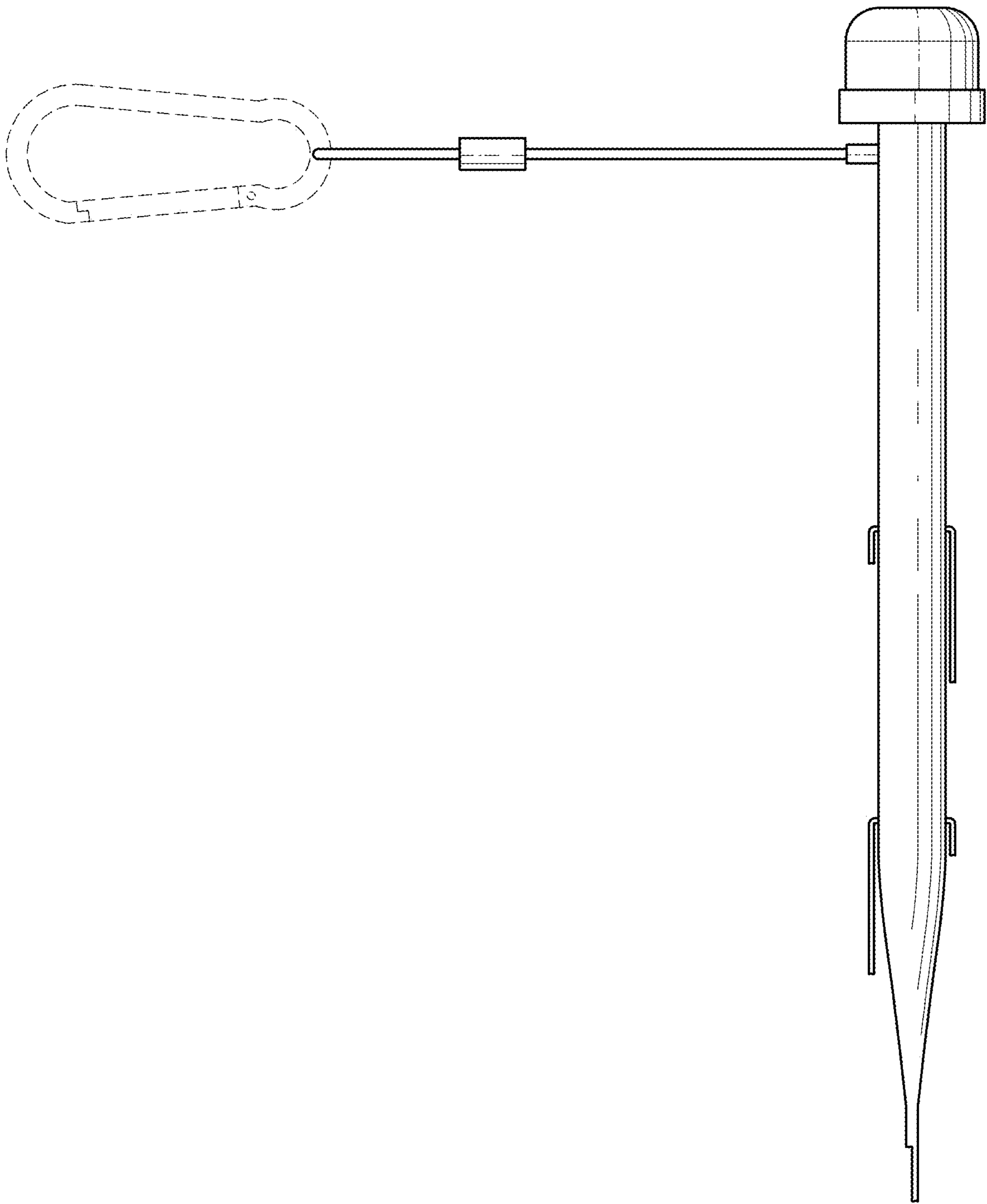


FIG. 4

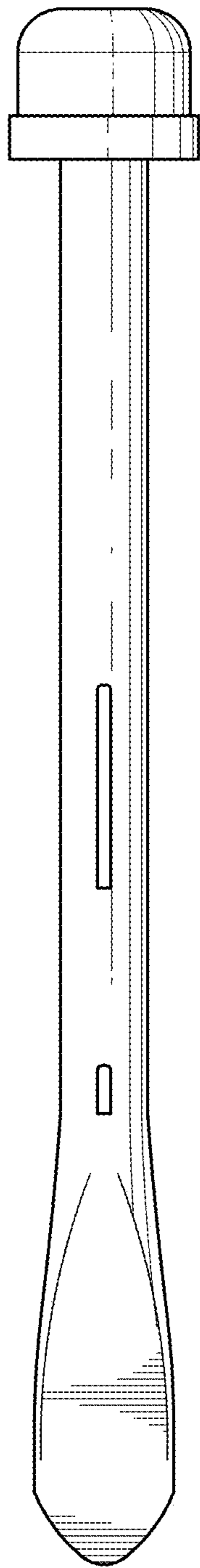
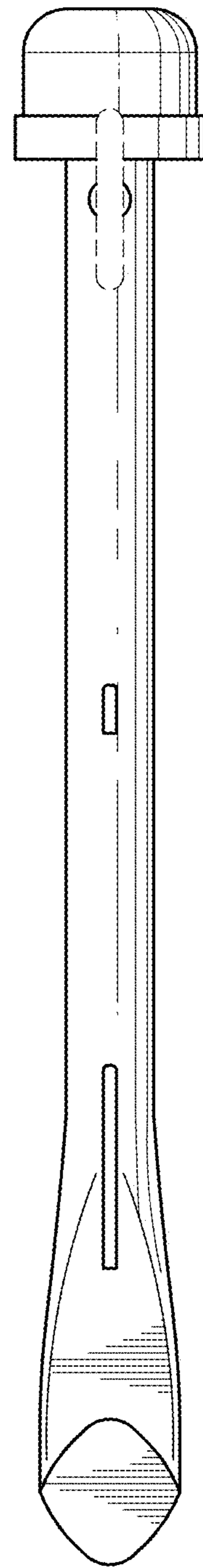


FIG. 5



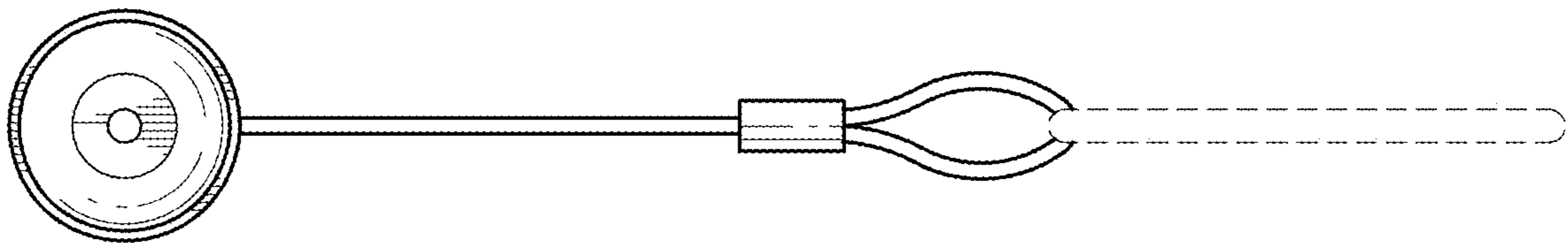


FIG. 6

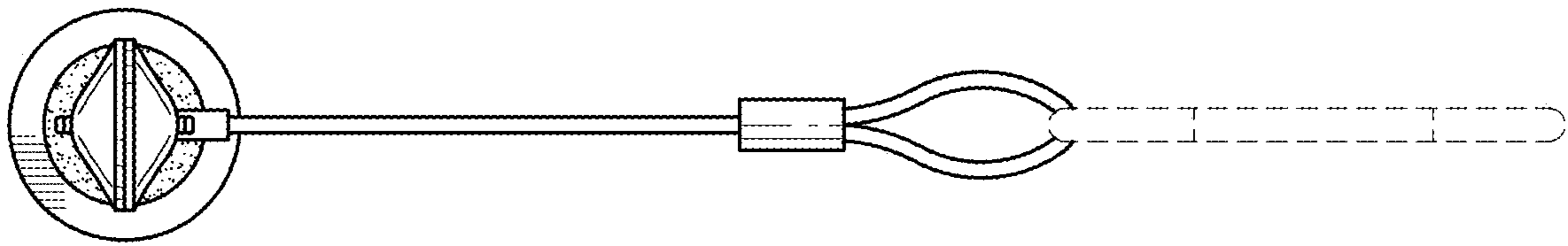


FIG. 7