



US00D981652S

(12) **United States Design Patent**  
**Belew**

(10) **Patent No.:** **US D981,652 S**  
(45) **Date of Patent:** **\*\* Mar. 21, 2023**

- (54) **FEED TRAY FOR LIVESTOCK**
- (71) Applicant: **The Feed Tray LLC**, Clovis, NM (US)
- (72) Inventor: **Roper Lee Belew**, Clovis, NM (US)
- (73) Assignee: **The Feed Tray LLC**, Clovis, NM (US)
- (\*\*) Term: **15 Years**
- (21) Appl. No.: **29/776,935**
- (22) Filed: **Apr. 1, 2021**
- (51) **LOC (14) Cl.** ..... **30-03**
- (52) **U.S. Cl.**  
USPC ..... **D30/129**
- (58) **Field of Classification Search**  
USPC ..... D30/119, 121, 123, 129, 130, 133;  
D7/500, 509, 510, 550.1, 553.2, 553.3,  
D7/553.6, 553.7, 554.2, 554.3, 554.4,  
D7/565, 354, 588, 603, 610; D11/143,  
D11/152  
CPC .... A01K 7/005; A01K 5/0114; A01K 5/0135;  
A01K 39/014; A01K 1/0356; A47G 19/02  
See application file for complete search history.

D383,252 S \* 9/1997 Pearce ..... D30/129  
D404,614 S \* 1/1999 Indekeu ..... D7/588  
D416,445 S \* 11/1999 Henry ..... A01K 5/0114  
D7/354

(Continued)

**OTHER PUBLICATIONS**

The Feed Tray—no talking, video posted Oct. 19, 2020 [online],  
retrieved Oct. 18, 2022 from internet [https://www.youtube.com/watch?v=\\_msWhOIJzqs](https://www.youtube.com/watch?v=_msWhOIJzqs) (Year: 2020).\*

(Continued)

*Primary Examiner* — Sheryl Lane

*Assistant Examiner* — Emily A Caven

(74) *Attorney, Agent, or Firm* — Peacock Law P.C.;  
Deborah A. Peacock; Marco H. Santamaria

(57) **CLAIM**

The ornamental design for a feed tray for livestock, sub-  
stantially as shown and described.

**DESCRIPTION**

FIG. 1 is a perspective view of the feed tray, shown disposed  
on top of a typical livestock feed bucket. The evenly spaced  
broken lines shown in FIG. 1 are for purposes of illustrating  
environmental structure, the feed in the feed tray, and  
livestock, which form no part of the claimed design.

FIG. 2 is a top front perspective view of a feed tray for  
livestock showing my new design.

FIG. 3 is a front view of the feed tray shown in FIG. 2;

FIG. 4 is a back view of the feed tray shown in FIG. 2;

FIG. 5 is a left view of the feed tray shown in FIG. 2;

FIG. 6 is a right view of the feed tray shown in FIG. 2;

FIG. 7 is a top view of the feed tray shown in FIG. 2;

FIG. 8 is a bottom view of the feed tray shown in FIG. 2;

and,

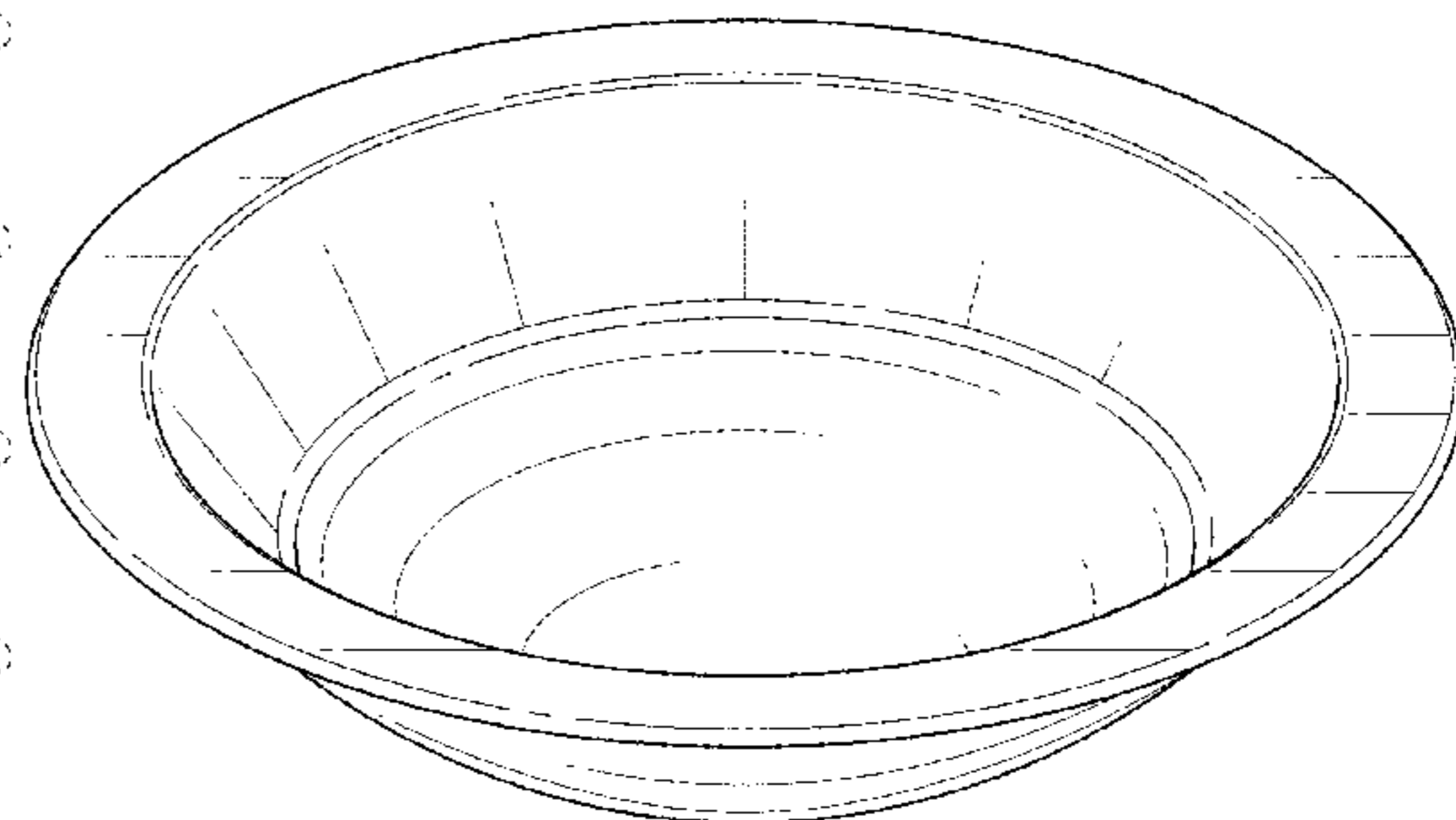
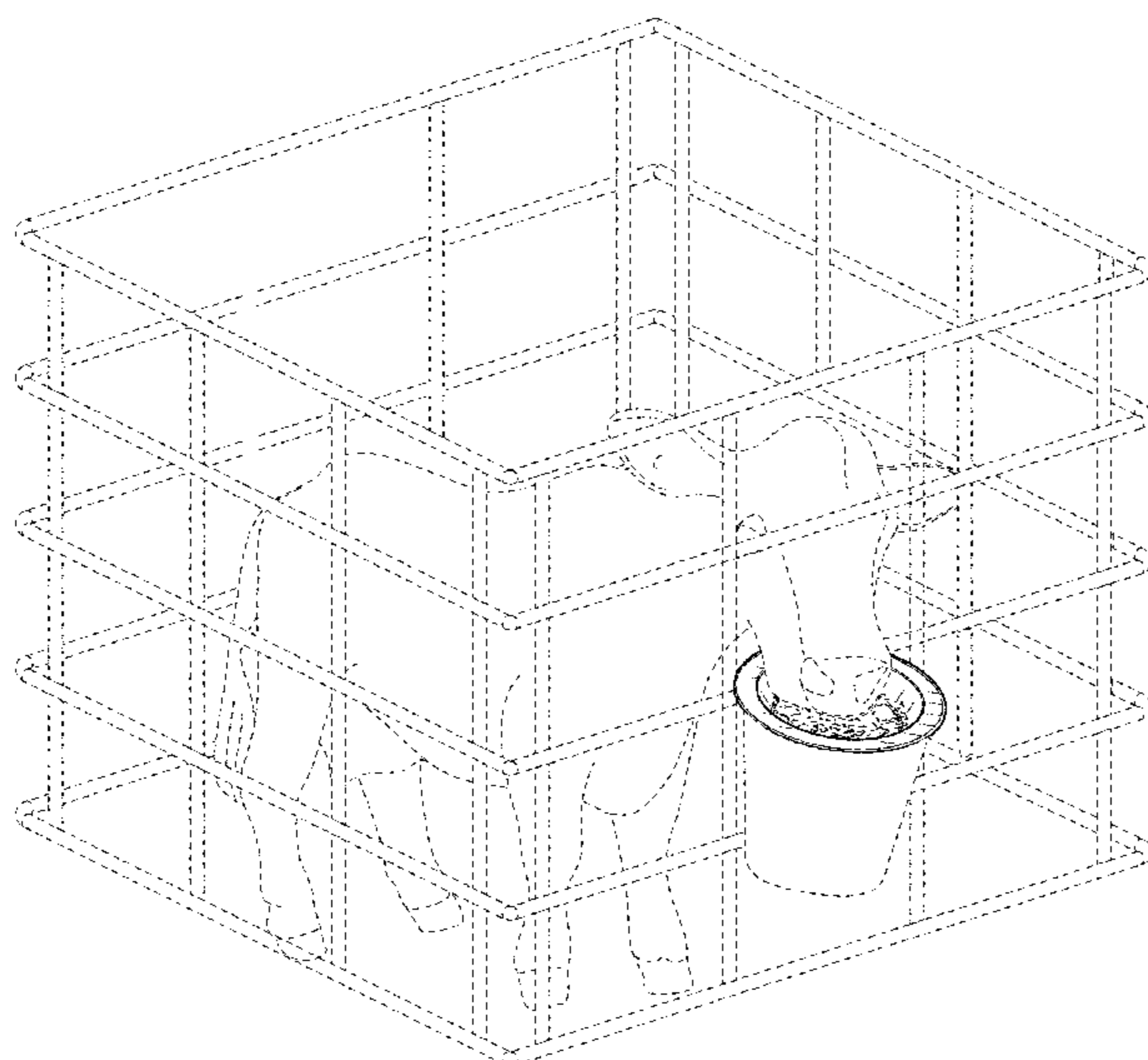
FIG. 9 is another perspective view of the feed tray shown in  
FIG. 2.

**1 Claim, 7 Drawing Sheets**

(56) **References Cited**

**U.S. PATENT DOCUMENTS**

- 99,200 A \* 1/1870 Jarboe ..... A47G 19/02  
220/574
- D32,981 S \* 7/1900 Holland ..... D7/586
- 1,575,597 A \* 3/1926 Bothe ..... A47G 19/02  
220/574
- 2,366,584 A \* 1/1945 Woodward ..... A01K 5/0114  
248/152
- D204,388 S \* 4/1966 Mitchell ..... D30/123
- D249,898 S \* 10/1978 Chaires ..... D30/129
- D257,068 S \* 9/1980 Imhoff ..... D30/129
- D292,471 S \* 10/1987 Oh ..... D7/354
- D353,230 S \* 12/1994 Reusche ..... D30/123
- D353,233 S \* 12/1994 Robles ..... D7/545



(56)

References Cited

U.S. PATENT DOCUMENTS

D420,856 S \* 2/2000 Yeo ..... D7/545  
 D447,007 S \* 8/2001 Schultz ..... D7/588  
 D450,221 S \* 11/2001 Littlejohn ..... B65B 25/001  
 D7/588  
 D472,770 S \* 4/2003 Wellner ..... D7/545  
 D475,894 S \* 6/2003 Wellner ..... D7/584  
 D478,474 S \* 8/2003 Zettle ..... D7/545  
 D501,364 S \* 2/2005 Tranfaglia ..... D7/566  
 D510,295 S \* 10/2005 Lehman ..... D11/152  
 D549,888 S \* 8/2007 Gross ..... D30/123  
 D551,491 S \* 9/2007 Schuler ..... D7/354  
 D554,316 S \* 10/2007 Brothers ..... D7/354  
 D565,356 S \* 4/2008 Mellen ..... D7/376  
 D647,668 S \* 10/2011 Siklosi ..... D30/131  
 D670,042 S \* 10/2012 Anderson ..... D30/129  
 D670,451 S \* 11/2012 Able ..... D30/129  
 D685,141 S \* 6/2013 Dixon ..... D30/129  
 D742,585 S \* 11/2015 Bennett ..... D7/545  
 D762,017 S \* 7/2016 Tsengas ..... A01K 5/0114  
 D30/129  
 D782,127 S \* 3/2017 Wechsler ..... D30/129  
 D791,545 S \* 7/2017 Li ..... D7/554.2  
 D792,745 S \* 7/2017 Wu ..... A01K 5/0114  
 D7/587  
 D801,121 S \* 10/2017 Kerr ..... D7/554.2  
 D821,658 S \* 6/2018 Danenberg ..... A01K 7/00  
 D30/121  
 D824,602 S \* 7/2018 Danenberg ..... D30/129  
 D862,988 S \* 10/2019 Wiggins ..... D7/587  
 D866,266 S \* 11/2019 Arseneau ..... D7/586  
 D867,072 S \* 11/2019 Marek ..... D7/587  
 D867,677 S \* 11/2019 Danenberg ..... D30/129  
 10,479,575 B2 \* 11/2019 Danenberg ..... B65B 25/001  
 D872,950 S \* 1/2020 Reissig ..... D30/129

D884,289 S \* 5/2020 Wu ..... D30/129  
 D939,694 S \* 12/2021 Hokans ..... A47G 19/02  
 D23/269  
 D957,067 S \* 7/2022 Ge ..... A47G 19/02  
 D30/123  
 D964,884 S \* 9/2022 Wu ..... D11/152  
 2010/0162961 A1 \* 7/2010 Hove ..... A01K 7/00  
 119/51.5

OTHER PUBLICATIONS

The Feed Tray—Get Calves to Eat Sooner, website archive Sep. 25, 2021, retrieved Oct. 18, 2022 from internet <https://web.archive.org/web/20210925053809/https://www.dairydealer.com/products/the-feed-tray-get-calves-to-eat-sooner-3> (Year: 2021).  
 “3-Gallon Rubber Feed Pan”, [https://www.doversaddlery.com/rubber-3-gallon-feed-pan/p/X1-27423/?gclid=CjwKCAjwsNilBhBdEiwAJK4khsWN7yY0YZ3w-ZyRb\\_MYvyTh7cNwlvNzSpmrIXo-c8SFoyoXp24YzxoCuCgQAvD\\_BwE](https://www.doversaddlery.com/rubber-3-gallon-feed-pan/p/X1-27423/?gclid=CjwKCAjwsNilBhBdEiwAJK4khsWN7yY0YZ3w-ZyRb_MYvyTh7cNwlvNzSpmrIXo-c8SFoyoXp24YzxoCuCgQAvD_BwE), Oct. 14, 2014.  
 “Aspen Pet Large Feeding Pan”, [https://www.petmate.com/product/34073?utm\\_source=google&utm\\_medium=cpc&adpos=&scid=scplp34073&sc\\_intid=34073&gclid=CjwKCAjwsNilBhBdEiwAJK4khla0DIqbq97FiRCdBBEsE7Ur5a3NyFncWgF5kFPfHePGxUIL-5TqhBoC-9IQAvD\\_BwE](https://www.petmate.com/product/34073?utm_source=google&utm_medium=cpc&adpos=&scid=scplp34073&sc_intid=34073&gclid=CjwKCAjwsNilBhBdEiwAJK4khla0DIqbq97FiRCdBBEsE7Ur5a3NyFncWgF5kFPfHePGxUIL-5TqhBoC-9IQAvD_BwE), 2006.  
 “Chick Tray”, [https://www.premier1supplies.com/p/chick-tray?gclid=CjwKCAjwsNilBhBdEiwAJK4khq\\_Gwall-qVDimLcZ7twBuXmzMyouV9osmYpmobT3YDhvOEV9cuw6BoCUSMQAvD\\_BwE](https://www.premier1supplies.com/p/chick-tray?gclid=CjwKCAjwsNilBhBdEiwAJK4khq_Gwall-qVDimLcZ7twBuXmzMyouV9osmYpmobT3YDhvOEV9cuw6BoCUSMQAvD_BwE), Oct. 27, 2017.  
 “Little Giant Rubber Feed Pan 3 Gallon”, [https://shop.coolhorse.com/store/product/8436900003?gclid=CjwKCAjwsNilBhBdEiwAJK4khoCXpxGH5-PX55Bbr59Nnlz0h-0KoFcYUxvmgeEPcPikvLMVIDRizRoC508QAvD\\_BwE](https://shop.coolhorse.com/store/product/8436900003?gclid=CjwKCAjwsNilBhBdEiwAJK4khoCXpxGH5-PX55Bbr59Nnlz0h-0KoFcYUxvmgeEPcPikvLMVIDRizRoC508QAvD_BwE), Jan. 25, 2021.

\* cited by examiner

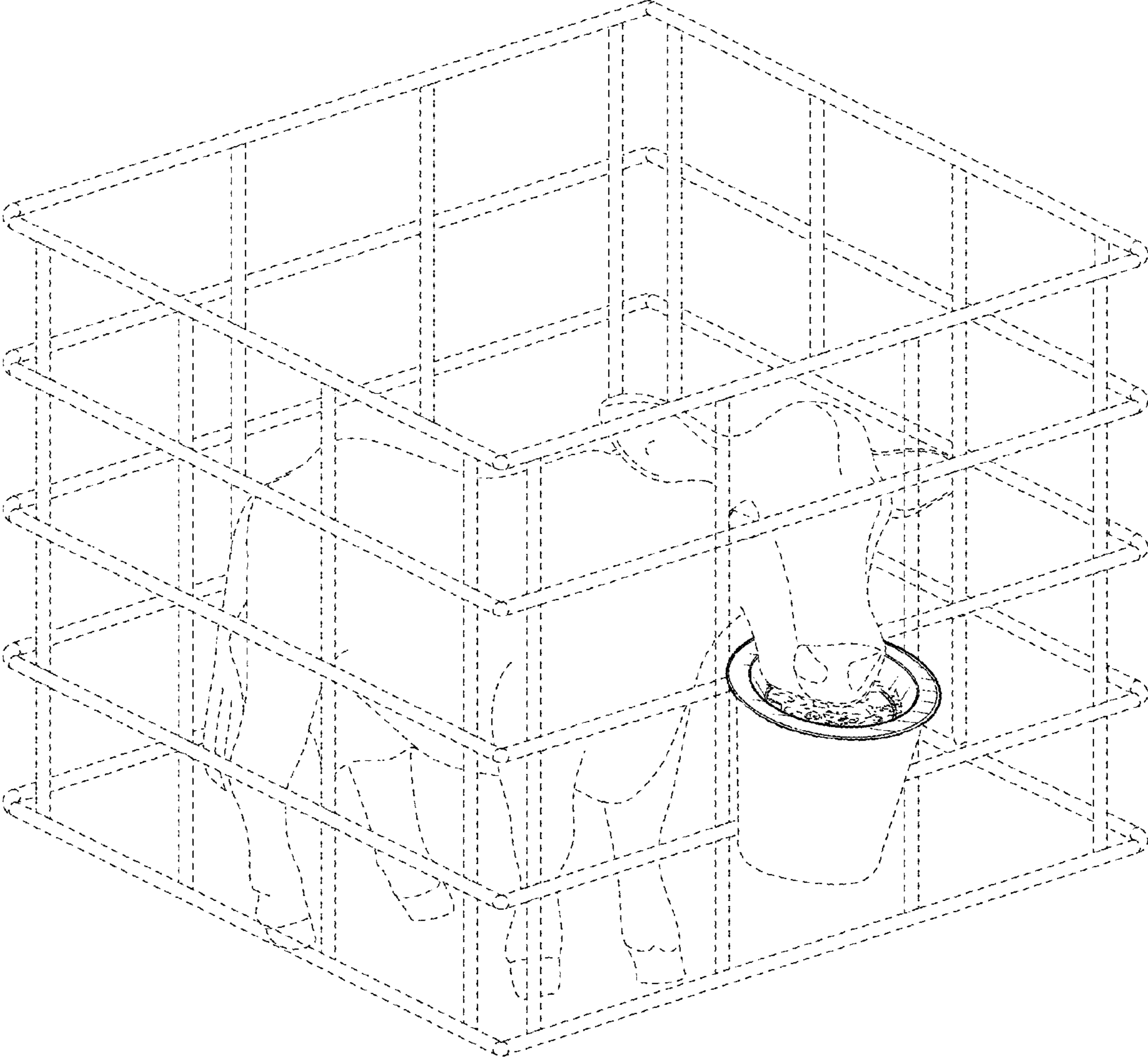


FIG. 1

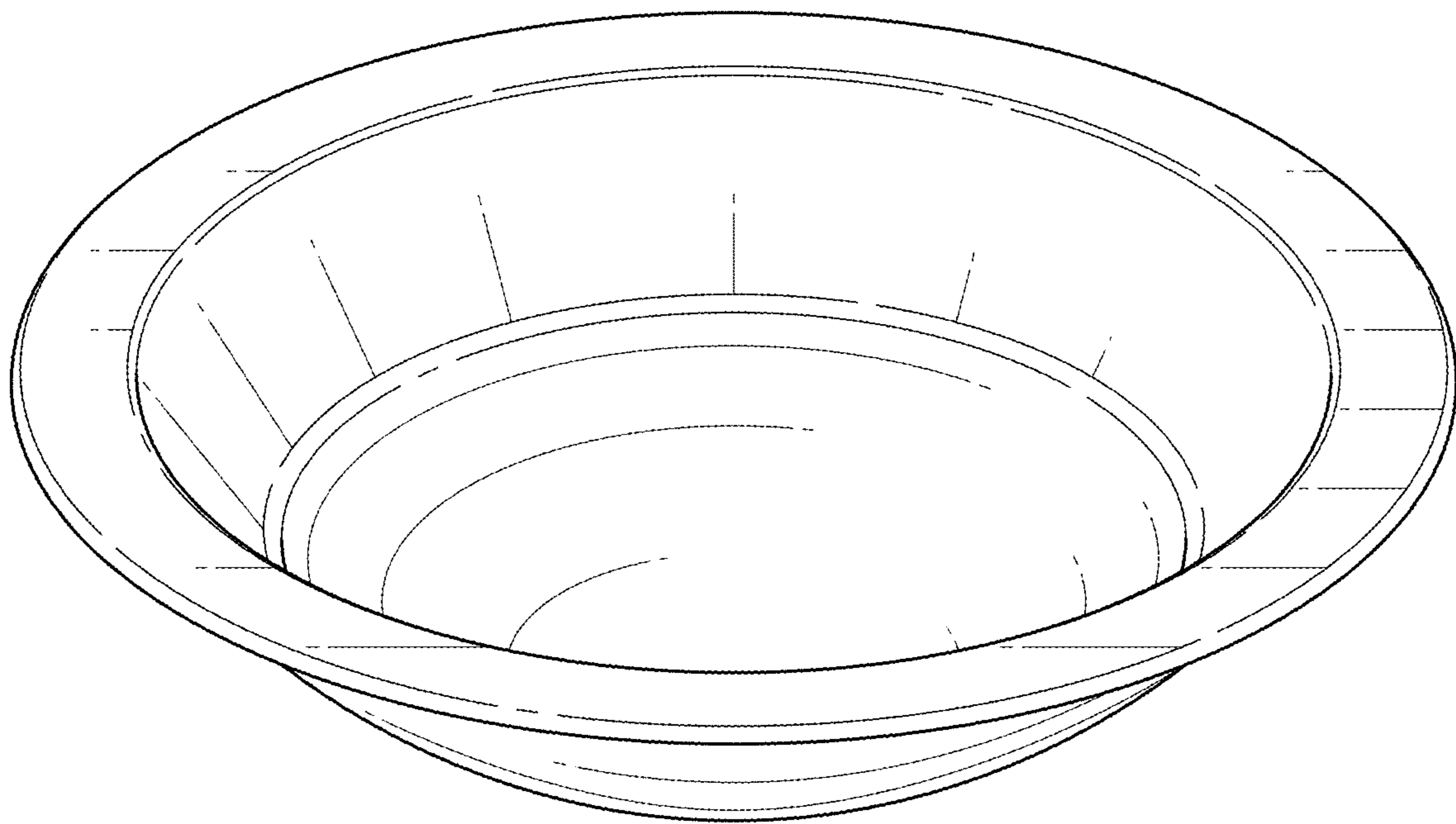


FIG. 2

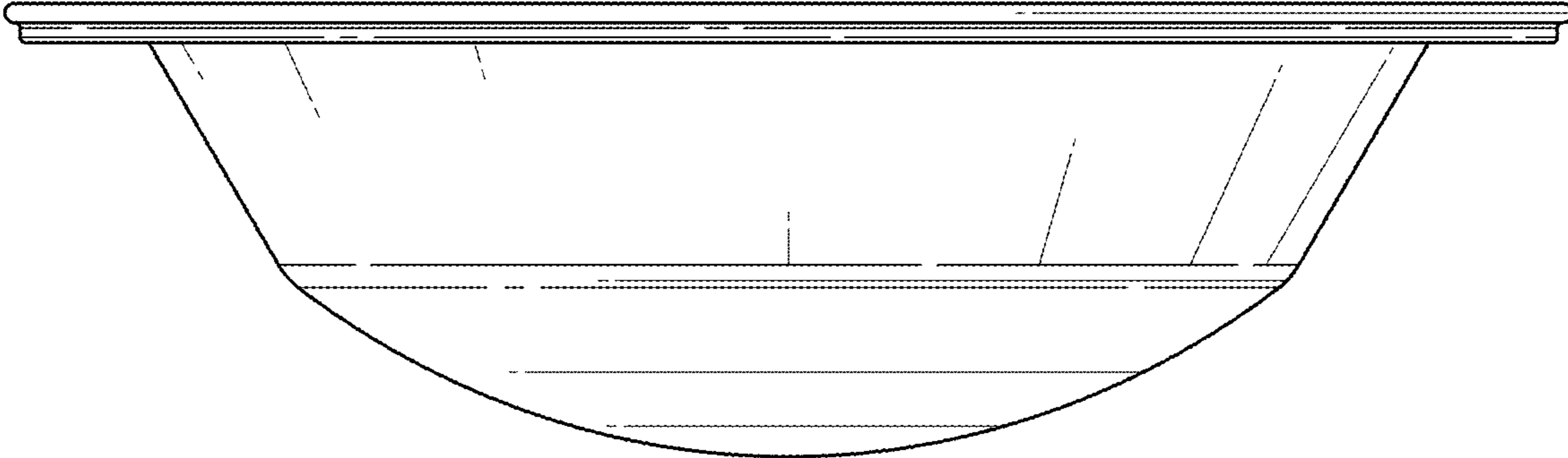


FIG. 3

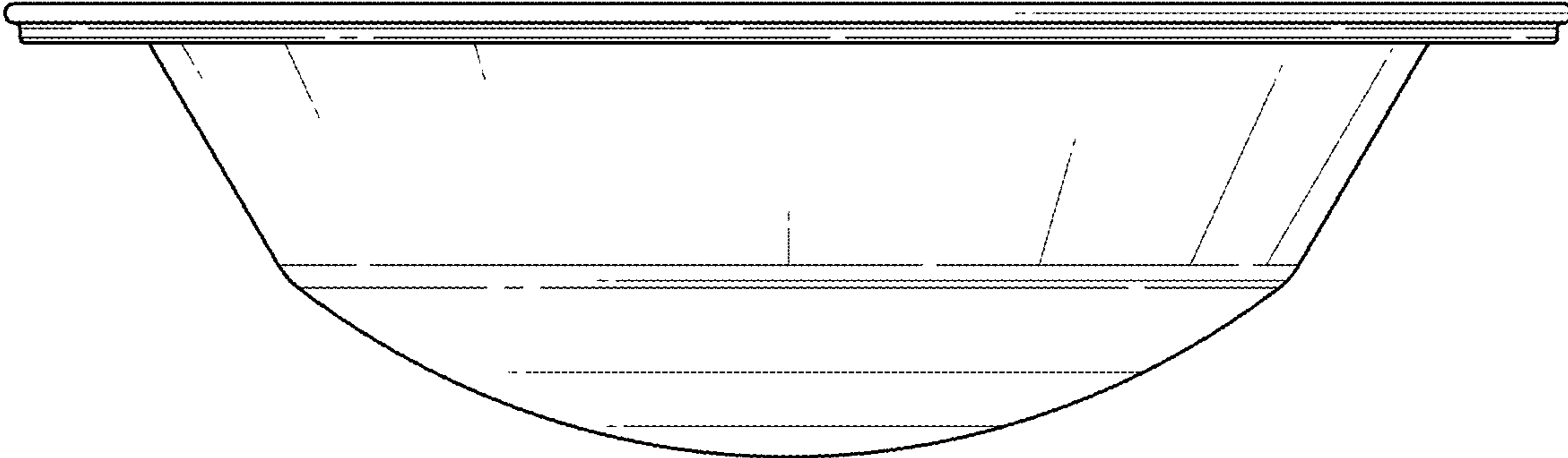


FIG. 4

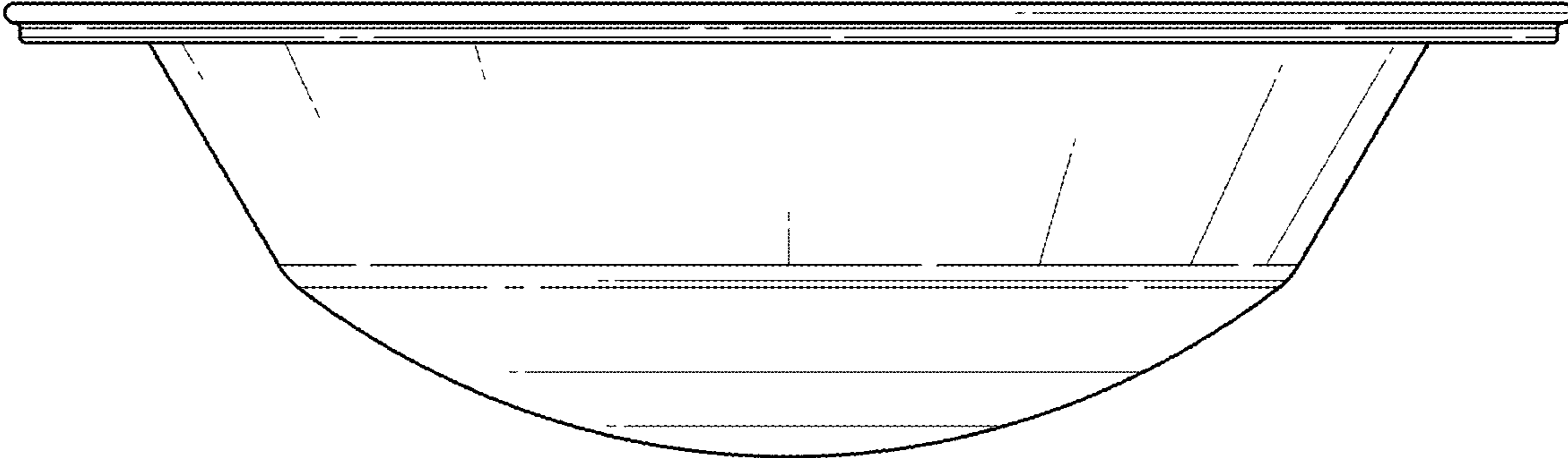


FIG. 5

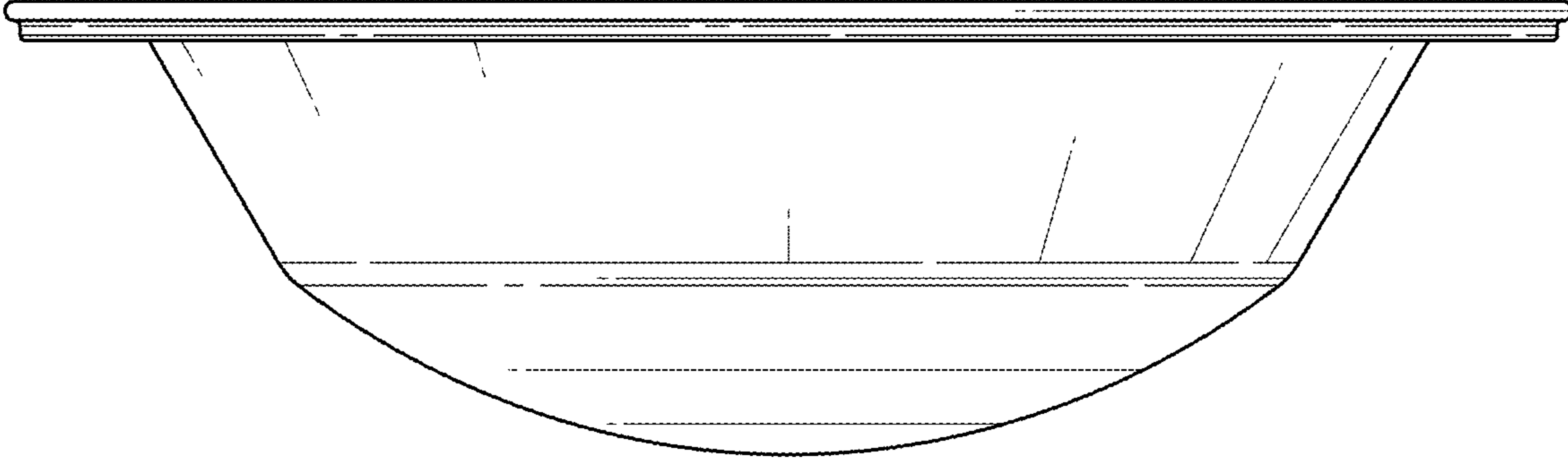


FIG. 6

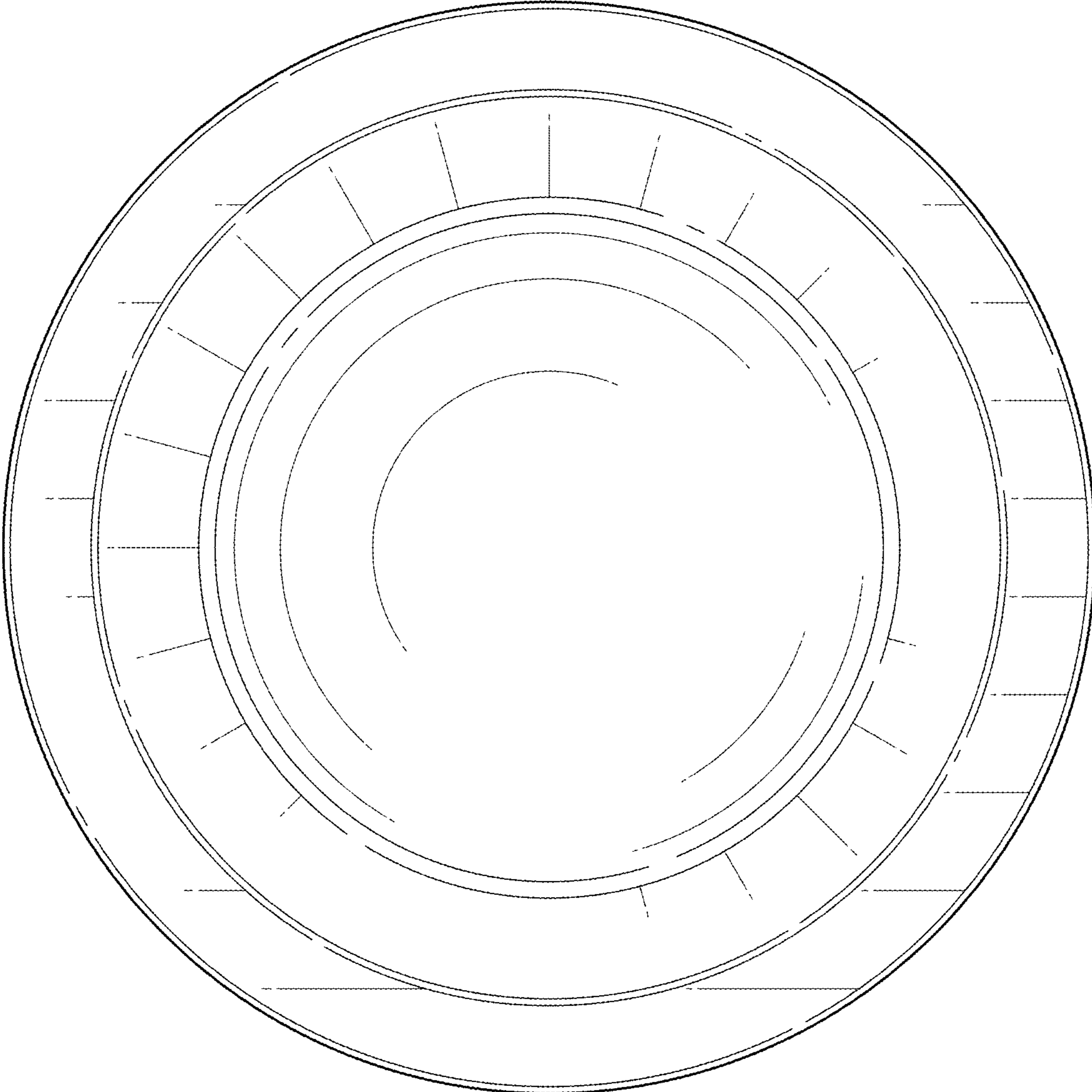


FIG. 7

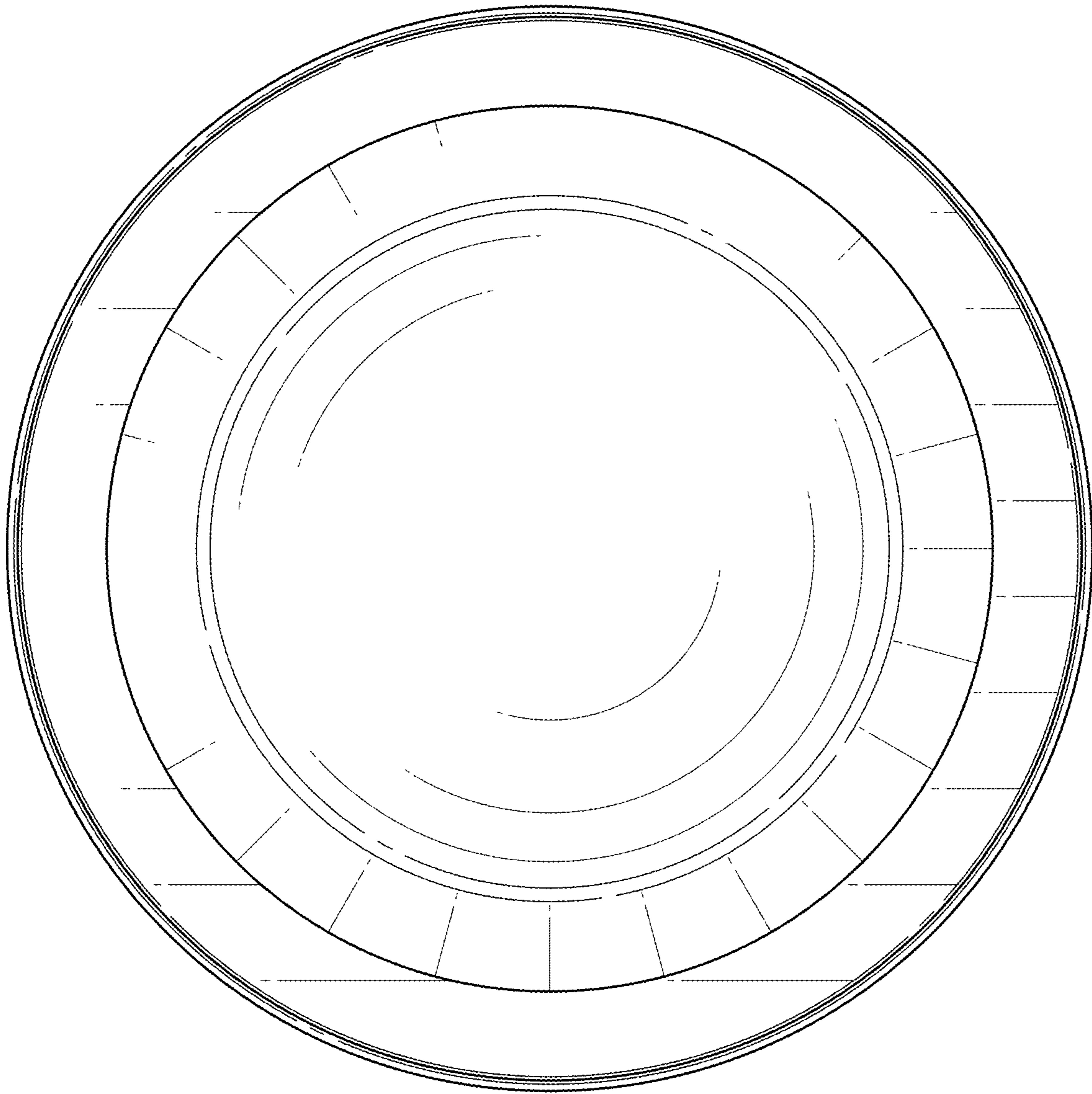


FIG. 8



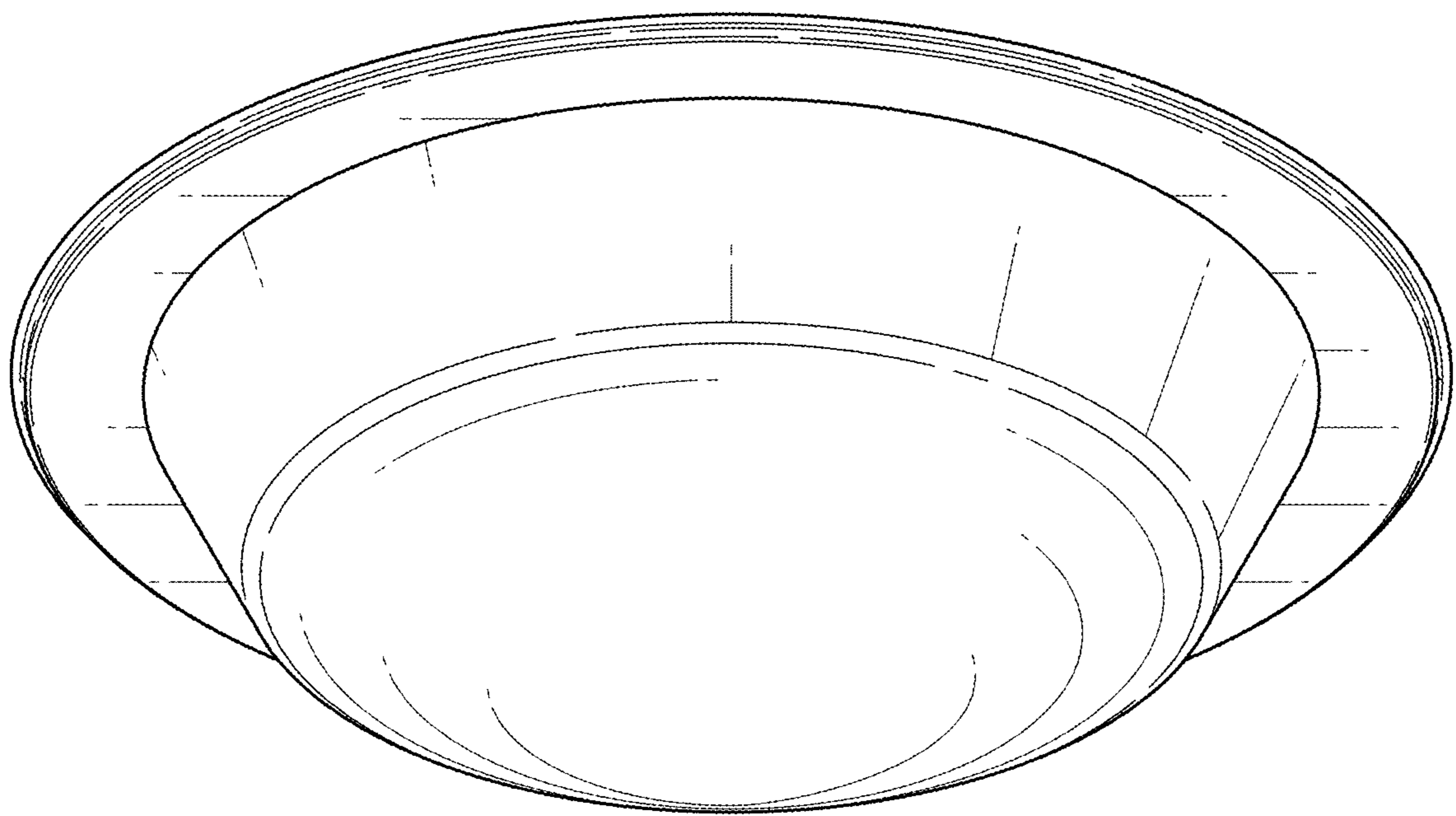


FIG. 9