



US00D981650S

(12) **United States Design Patent**  
**Zheng**

(10) **Patent No.:** **US D981,650 S**  
(45) **Date of Patent:** **\*\* Mar. 21, 2023**

- (54) **PET TREAT DISPENSER**
- (71) Applicant: **Shenzhen Zhimu Technology Co., Ltd, Shenzhen (CN)**
- (72) Inventor: **Junwen Zheng, Guangdong (CN)**
- (\*\*) Term: **15 Years**
- (21) Appl. No.: **29/827,525**
- (22) Filed: **Feb. 21, 2022**
- (51) **LOC (14) Cl.** ..... **30-07**
- (52) **U.S. Cl.**  
USPC ..... **D30/122; D16/200**
- (58) **Field of Classification Search**  
USPC ..... D30/110, 114, 115, 116, 121, 122, 124, D30/125, 127, 128, 129, 130, 131, 132, D30/133; D21/340, 447, 451, 452; D16/200, 203, 214; D14/159; D7/566, D7/587  
CPC ..... A01K 5/0114; A01K 5/0121; A01K 5/02; A01K 5/0291; A01K 5/025; A01K 5/0266; A01K 5/0275; A01K 5/0283; A01K 5/0258; A01K 5/0142; A01K 5/0233; A01K 5/00; A01K 5/0135; A01K 29/00; A01K 7/00; G01F 11/24; G01F 23/02; B67D 1/0425; B67D 1/04; B67D 1/00; B67D 1/02; B67D 1/0871; B67D 1/0802; A47J 41/0033; A47J 41/005; A47J 41/0088; A47J 41/0094; A47J 41/04; A47J 41/053; B05B 11/00; B05B 11/0002; B05B 11/0005; B05B 11/001; C02F 1/003; C02F 1/283; C02F 2307/02  
See application file for complete search history.

- D742,601 S 11/2015 Holterhaus et al.
  - D881,256 S \* 4/2020 Tseng ..... D16/203
  - D888,162 S \* 6/2020 Fang ..... D21/452
  - D891,501 S \* 7/2020 Wu ..... D16/203
  - D912,909 S \* 3/2021 Wu ..... D30/122
  - D923,257 S \* 6/2021 Wu ..... D30/122
  - D933,746 S \* 10/2021 Kinner ..... D21/302
  - D947,924 S \* 4/2022 Zheng ..... D16/208
- (Continued)

**OTHER PUBLICATIONS**

Smart Pet Camera and Treat Dispenser. Hongsa, amazon.com (online) 10 pages. Posted Aug. 12, 2020. [Retrieved Sep. 21, 2022] <https://a.co/d/gB4eRuA> (Year: 2020).\*

(Continued)

*Primary Examiner* — Kathleen L Jones  
*Assistant Examiner* — Cole Sanders Holman

(57) **CLAIM**

The ornamental design for a pet treat dispenser, as shown and described.

**DESCRIPTION**

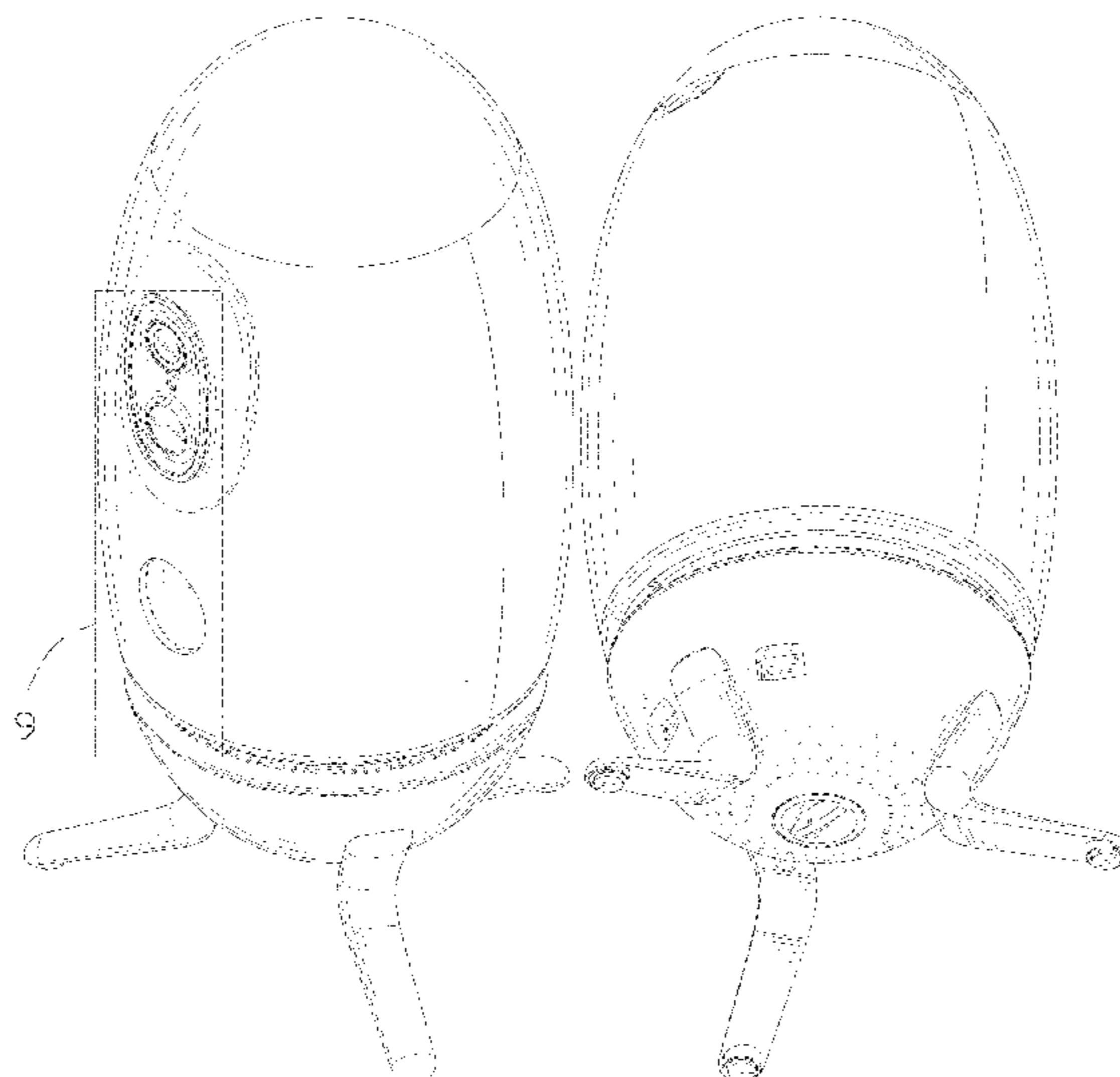
FIG. 1 is a front and top perspective view of a pet treat dispenser, showing my new design;  
FIG. 2 is a rear and bottom perspective view thereof;  
FIG. 3 is a front elevation view thereof;  
FIG. 4 is a rear elevation view thereof;  
FIG. 5 is a left side elevation view thereof;  
FIG. 6 is a right side elevation view thereof;  
FIG. 7 is a top plan view thereof;  
FIG. 8 is a bottom plan view thereof; and,  
FIG. 9 is an enlarged view of a portion indicated with numeric 9 in FIG. 1.  
The broken lines in the figures illustrate portions of the pet treat dispenser that form no part of the claimed design. The dash dot dash lines in FIGS. 1 and 9 are for the purpose of depicting the boundary lines of the enlarged view and form no part of the claimed design.

**1 Claim, 9 Drawing Sheets**

(56) **References Cited**

**U.S. PATENT DOCUMENTS**

- 3,225,488 A \* 12/1965 Goldfarb ..... A63H 27/10 446/224
- D432,279 S \* 10/2000 Kim ..... D30/121
- D627,235 S \* 11/2010 Lo ..... D9/674



(56)

**References Cited**

U.S. PATENT DOCUMENTS

D957,750 S \* 7/2022 Wang ..... D30/122  
D963,255 S \* 9/2022 Chen ..... D30/122  
2012/0160176 A1\* 6/2012 Murphy ..... A01N 1/021  
700/232  
2015/0068463 A1\* 3/2015 Worry ..... A01K 5/0291  
119/57.1  
2015/0342145 A1\* 12/2015 Christianson ..... H04W 4/80  
119/51.01  
2016/0295836 A1\* 10/2016 Cheng ..... A01K 15/025  
2018/0199541 A1\* 7/2018 Huang ..... A01K 5/0291  
2019/0133075 A1\* 5/2019 Holovin ..... A01K 5/02  
2020/0100460 A1\* 4/2020 Chen ..... A01K 5/0225  
2021/0289745 A1\* 9/2021 Tsai ..... A01K 5/0225

OTHER PUBLICATIONS

Nooie Pet Camera 2K. Nooie, amazon.com (online) 11 pages.  
Posted Apr. 11, 2022. [Retrieved Sep. 21, 2022] <https://a.co/d/9aWoOTe> (Year: 2022).\*

Eufy Pet Camera for Dogs and Cats. Eufy, amazon.com (online) 9 pages.  
Posted Jul. 15, 2021. [Retrieved Sep. 21, 2022] <https://a.co/d/aahJRhV> (Year: 2021).\*

\* cited by examiner

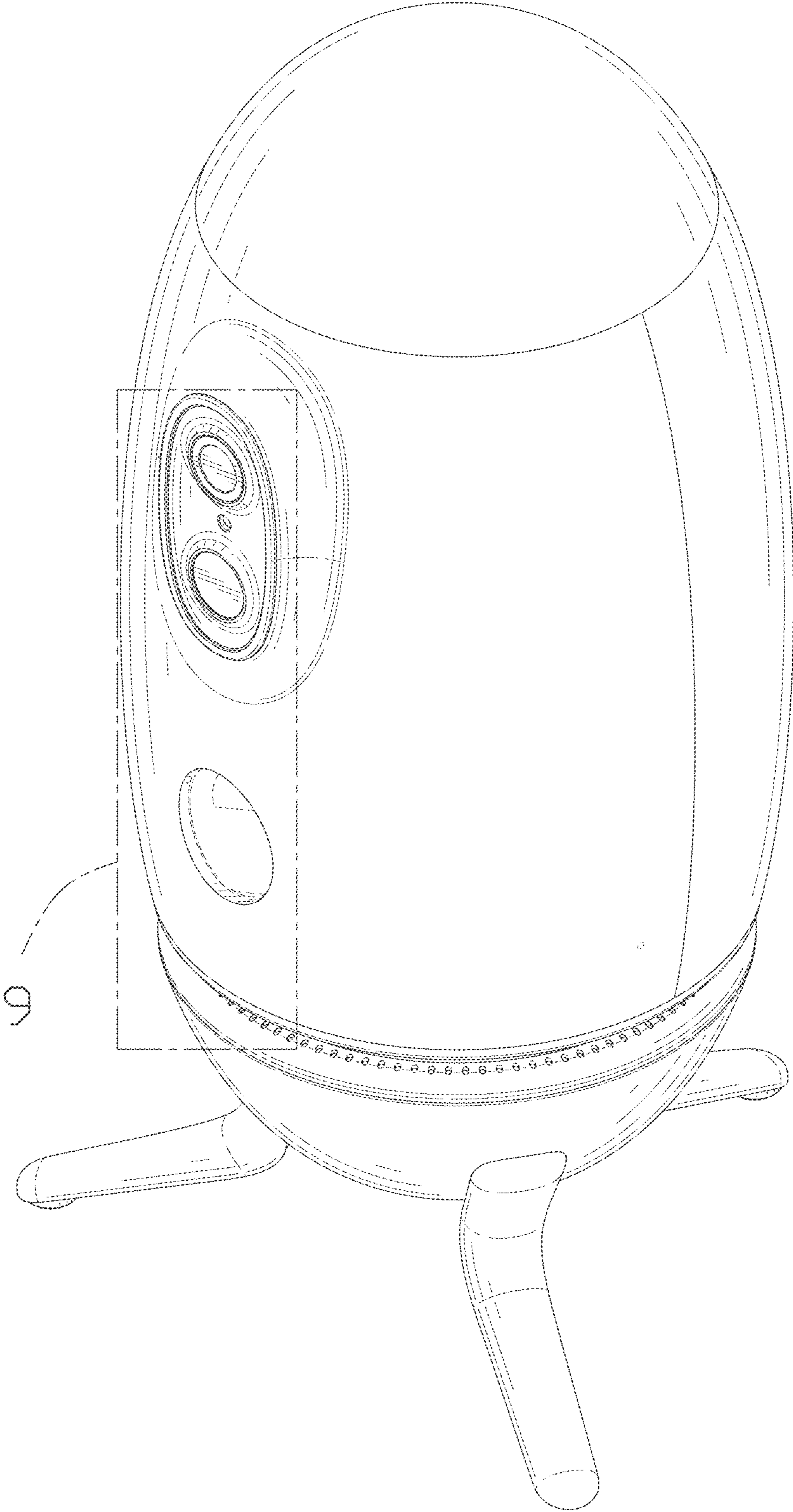


FIG. 1

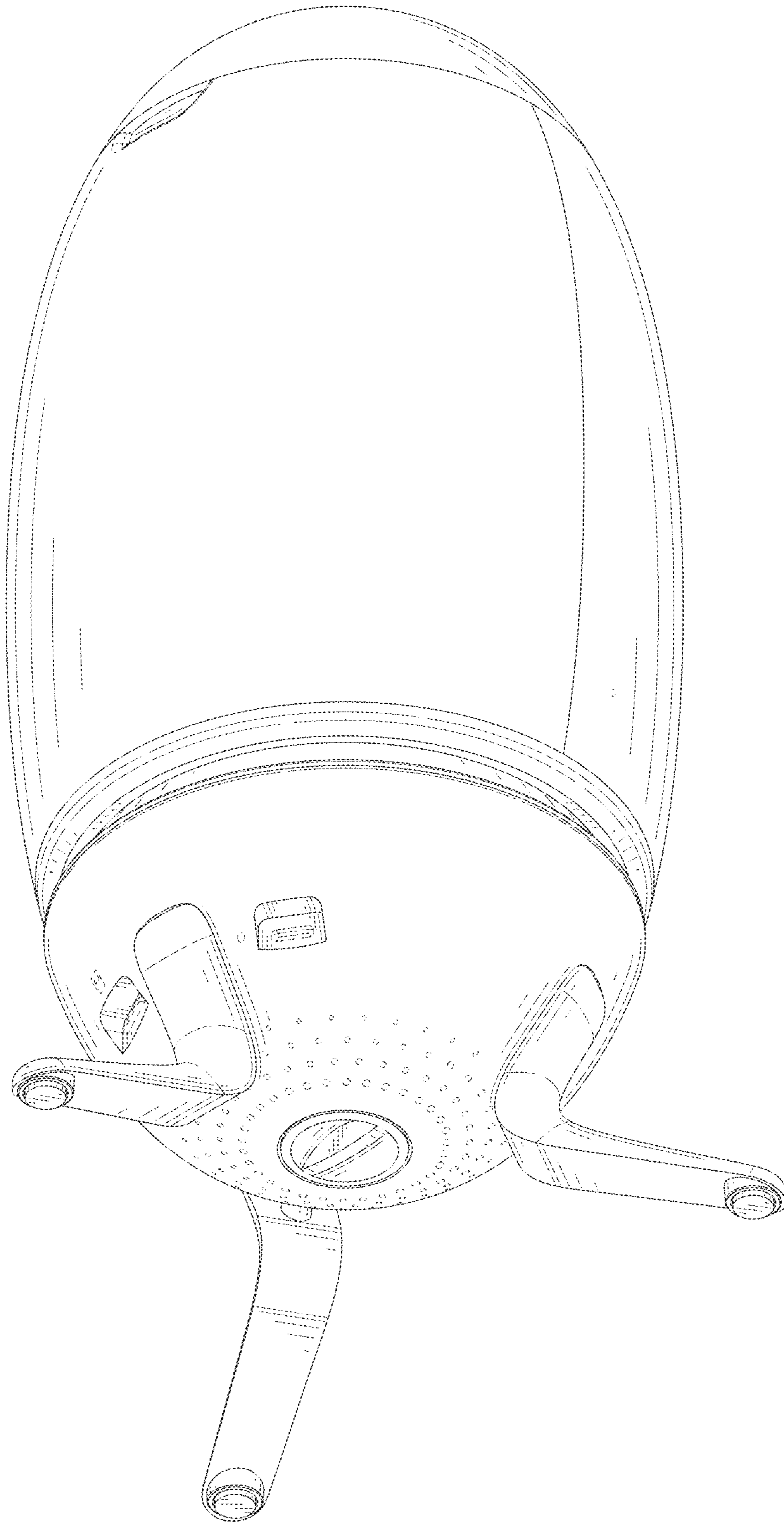


FIG. 2



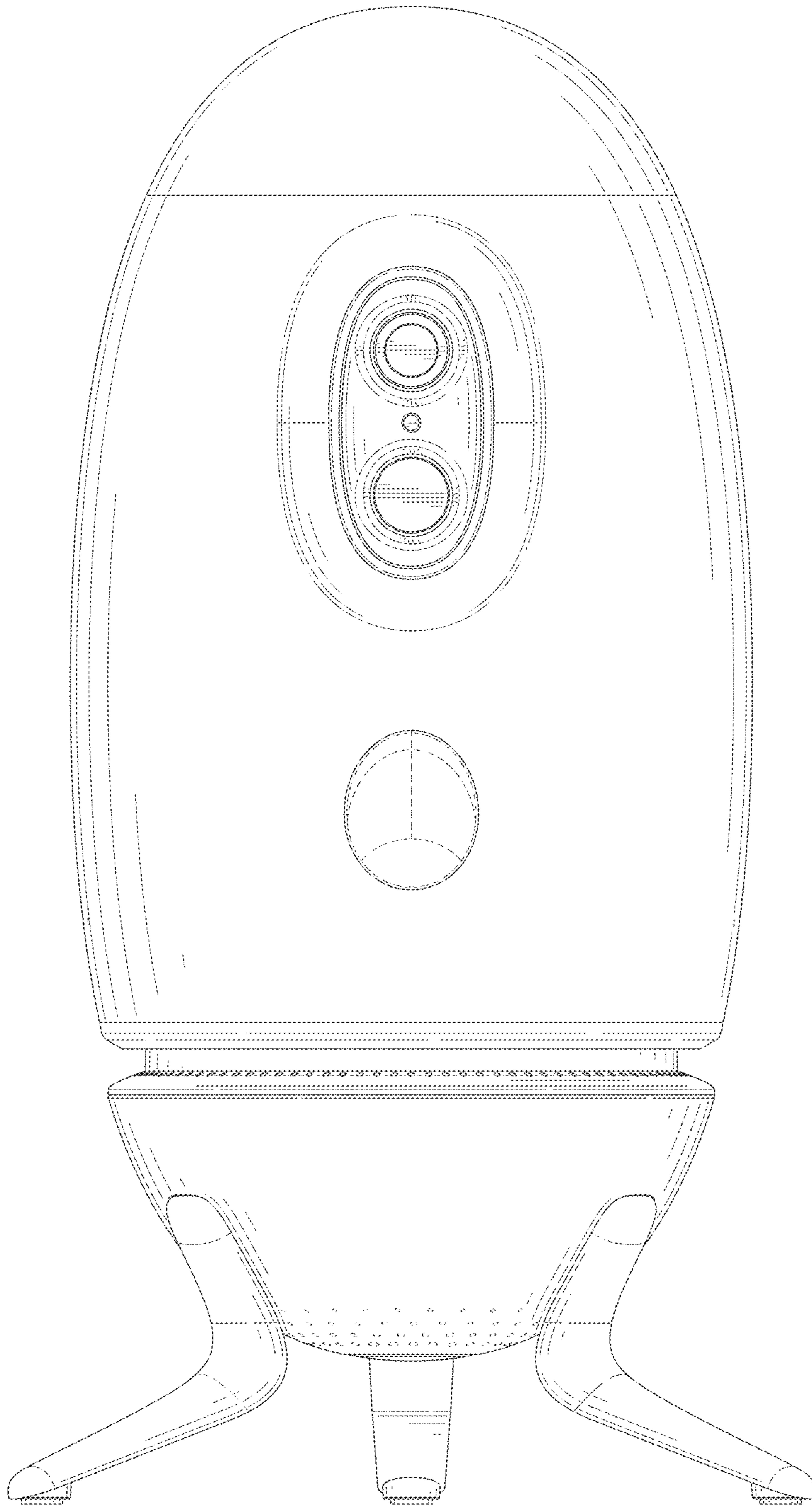


FIG. 3

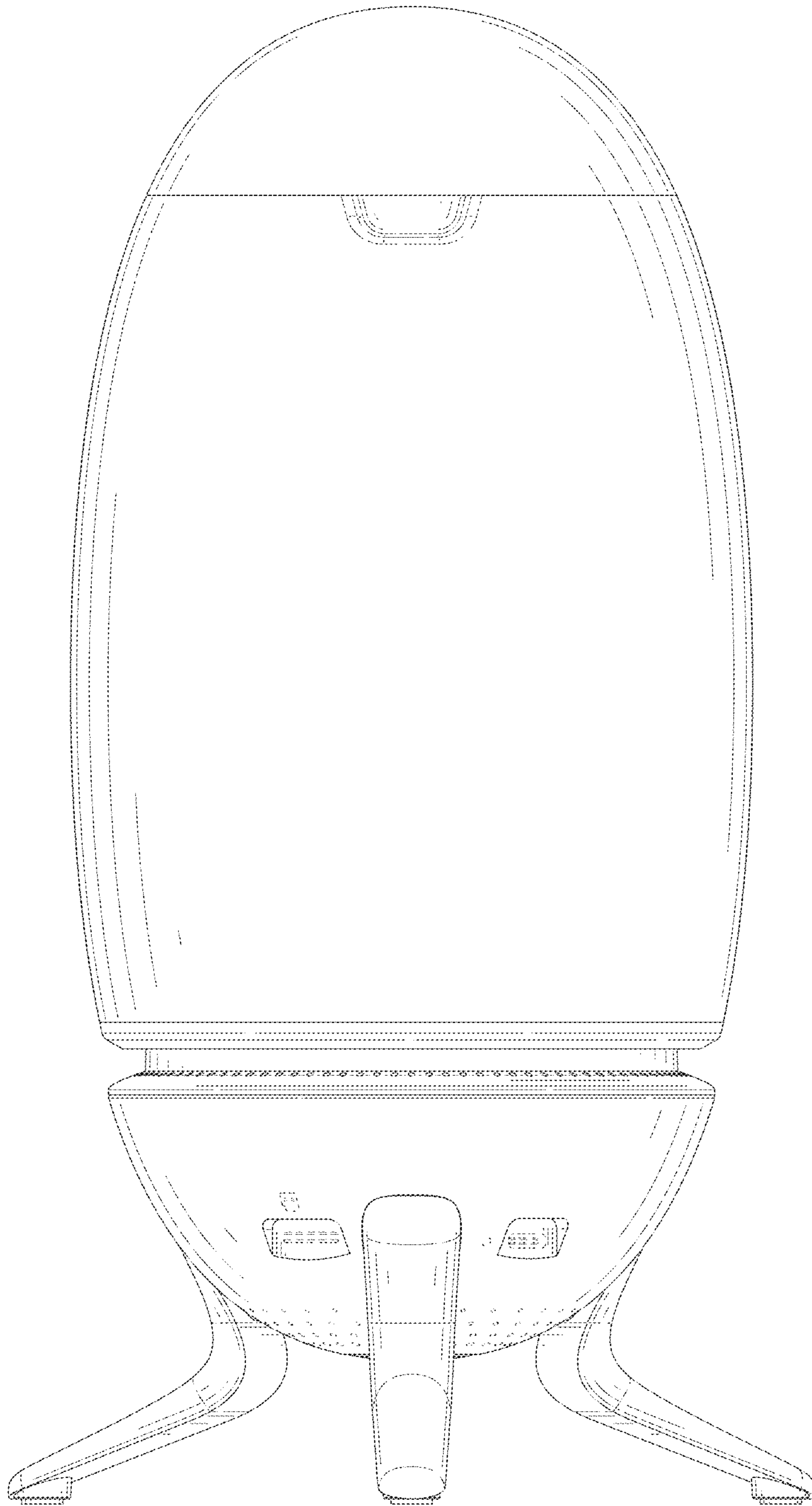


FIG. 4

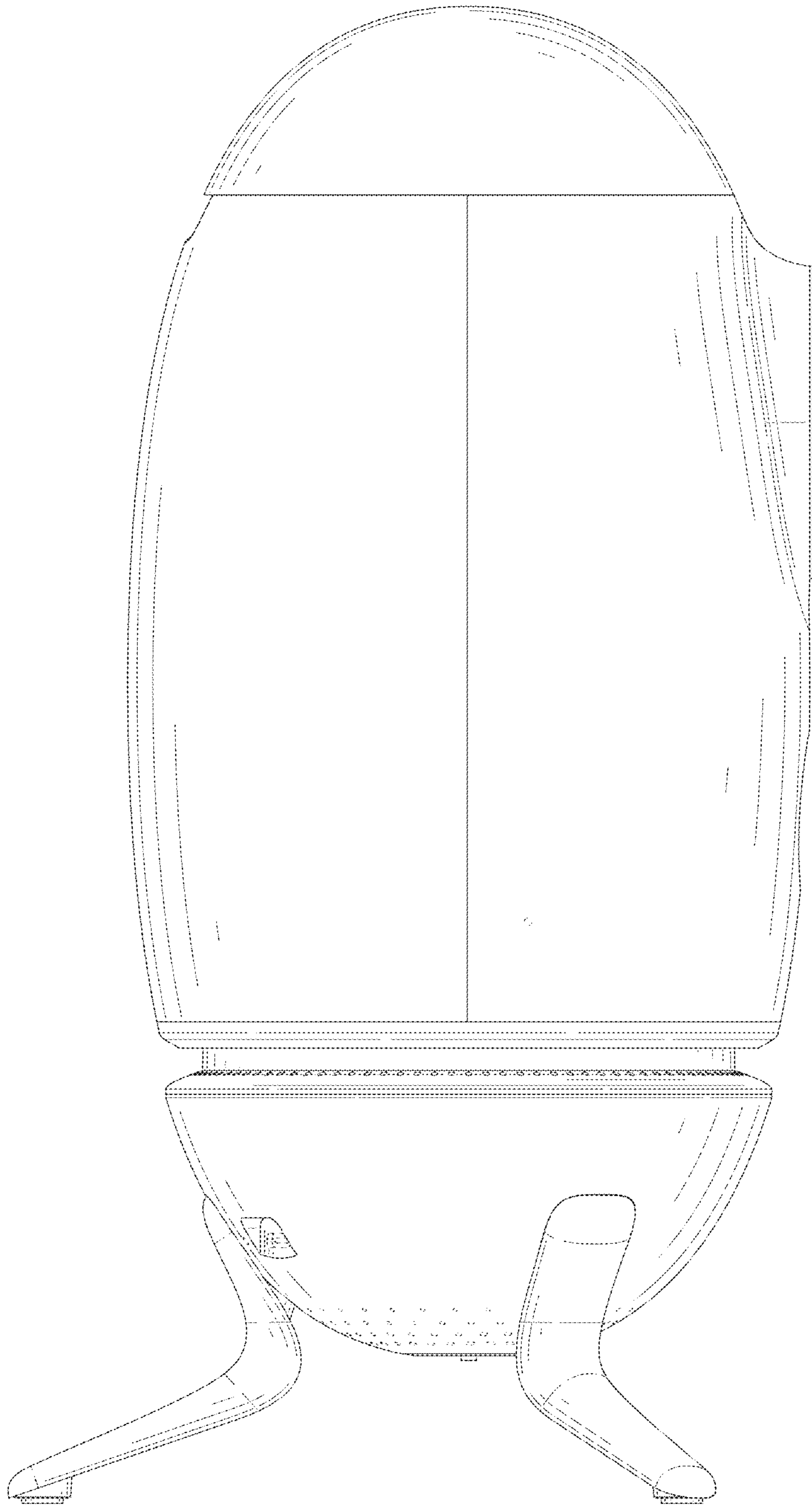


FIG. 5

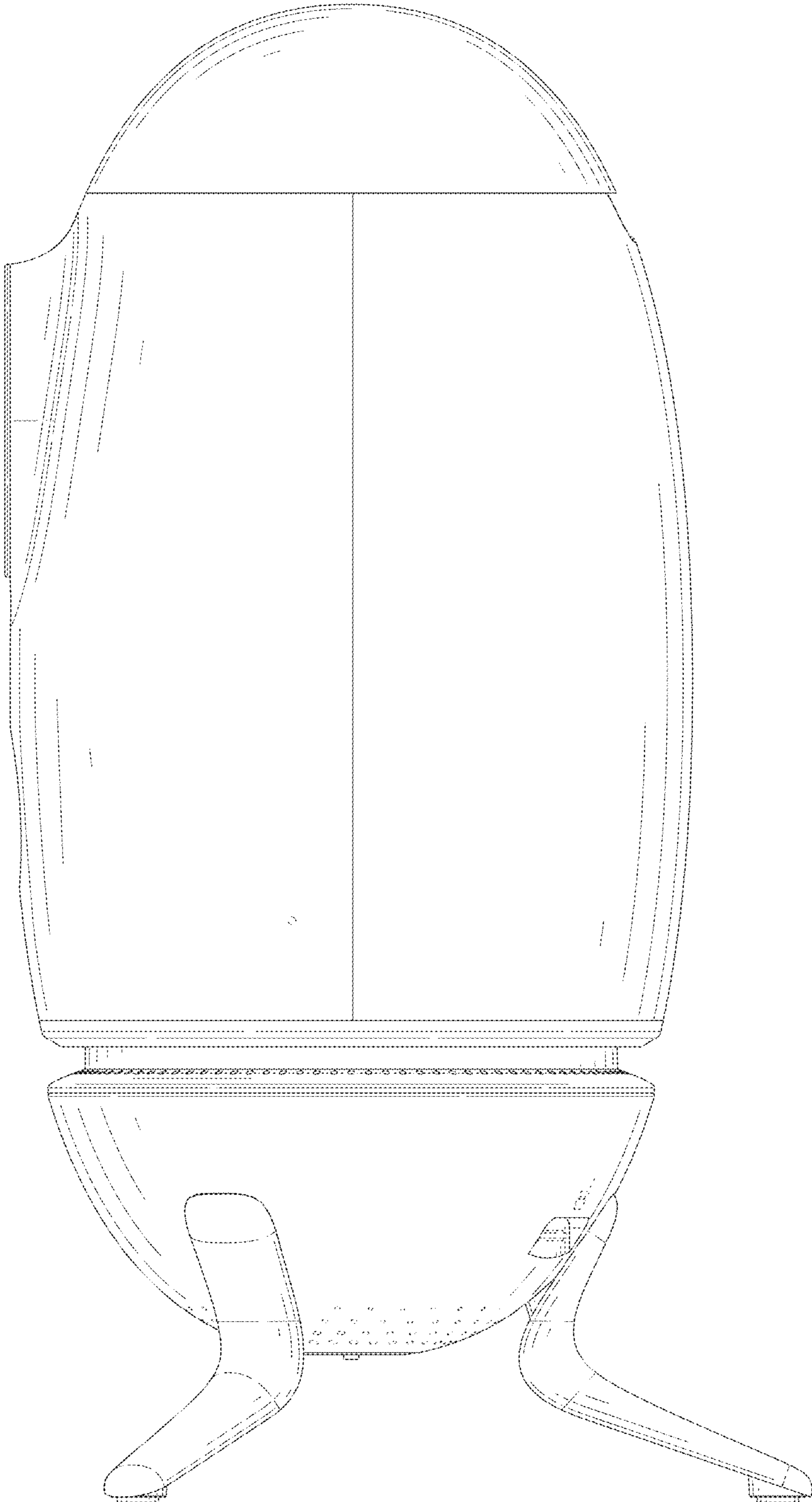


FIG. 6



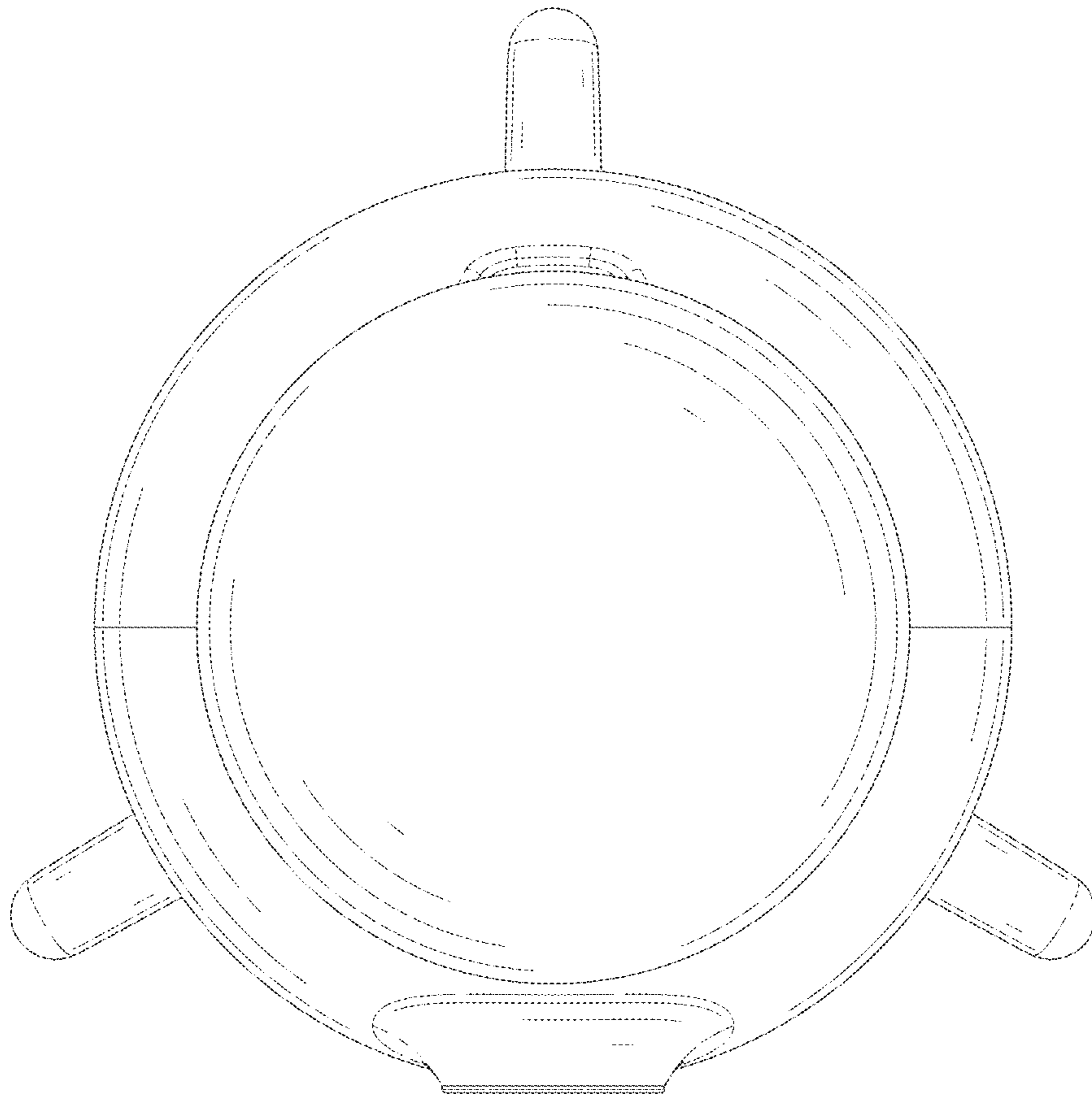


FIG. 7

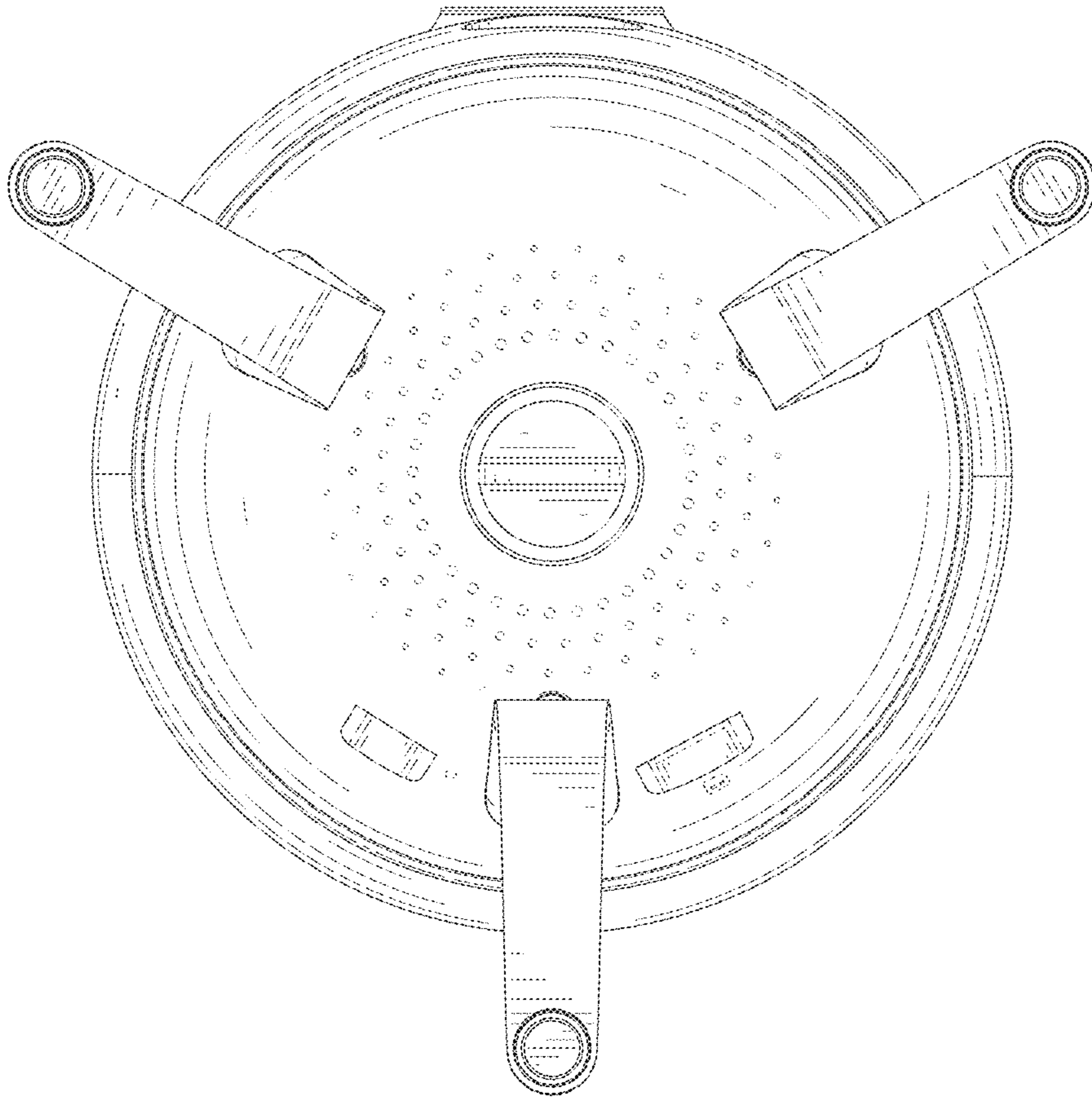


FIG. 8

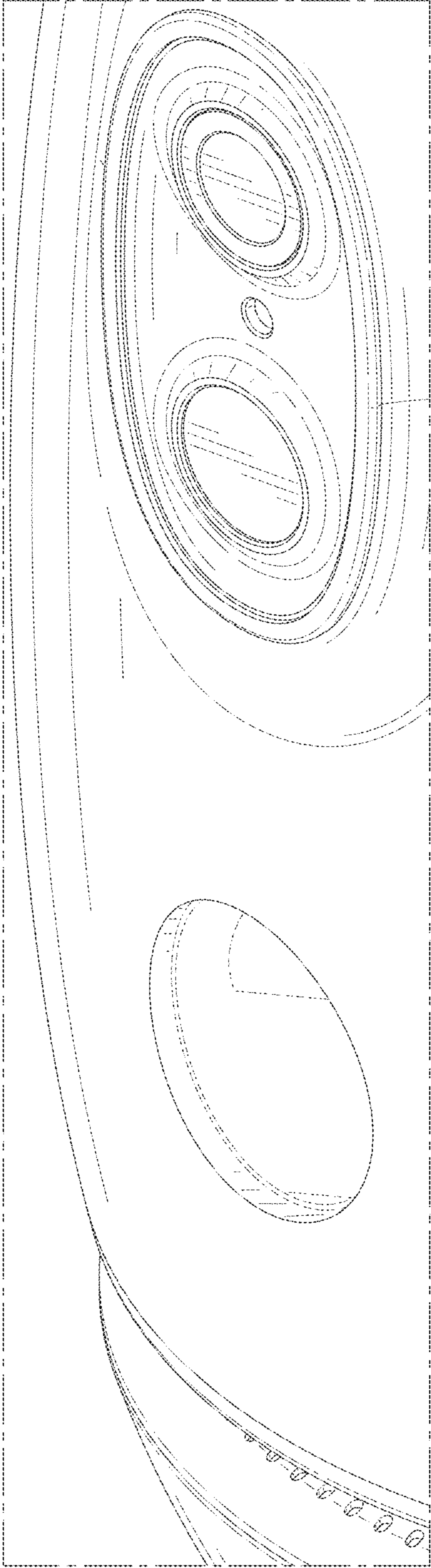


FIG. 9