

US00D981644S

(12) **United States Design Patent**
Chen

(10) **Patent No.:** **US D981,644 S**

(45) **Date of Patent:** **** Mar. 21, 2023**

(54) **HAIR CLIP**

(71) Applicant: **Yating Chen**, Yuzhou (CN)

(72) Inventor: **Yating Chen**, Yuzhou (CN)

(**) Term: **15 Years**

(21) Appl. No.: **29/881,562**

(22) Filed: **Jan. 3, 2023**

(51) **LOC (14) Cl.** **28-03**

(52) **U.S. Cl.**
USPC **D28/40**

(58) **Field of Classification Search**
USPC D28/39, 40, 42, 43

CPC . A45D 8/00; A45D 8/002; A45D 8/14; A45D
8/16; A45D 8/18; A45D 8/20; A45D
8/22; A45D 8/24; A45D 8/30

See application file for complete search history.

(56) **References Cited**

U.S. PATENT DOCUMENTS

D158,343 S *	4/1950	Watson	D28/11
D415,591 S *	10/1999	Knudsen	D28/40
D473,015 S *	4/2003	Shyu	D28/40
D473,016 S *	4/2003	Shyu	D28/40

D541,983 S *	5/2007	Au	D28/40
D580,103 S *	11/2008	Pichon	D28/39
D583,991 S	12/2008	Pichon		
D923,245 S	6/2021	Liu		
D964,648 S *	9/2022	Sun	D28/40

* cited by examiner

Primary Examiner — Zenia I Bennett

(74) *Attorney, Agent, or Firm* — Georgi Korobanov

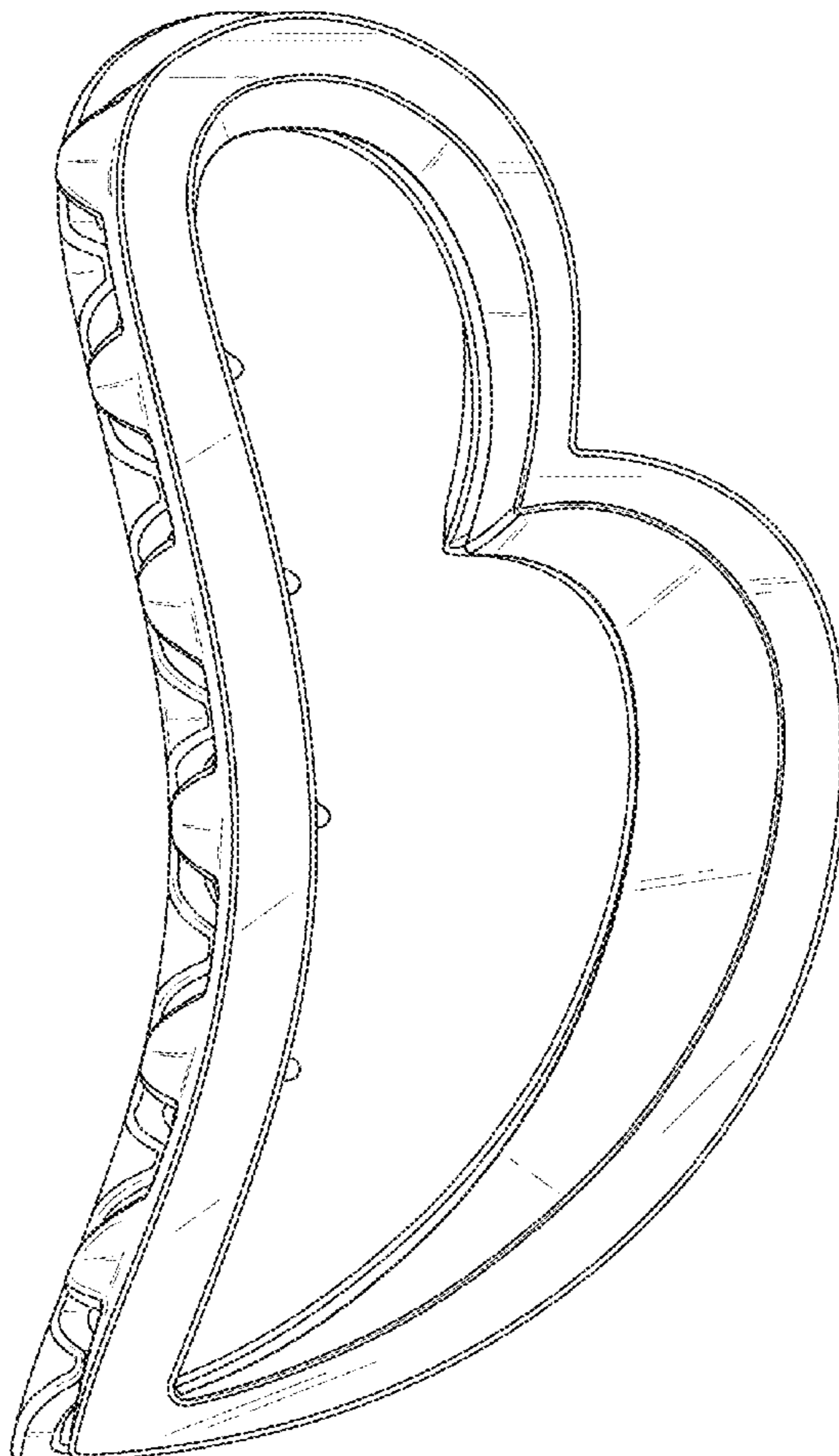
(57) **CLAIM**

The ornamental design for a hair clip, as shown and described.

DESCRIPTION

FIG. 1 is a front, left and bottom perspective view of a hair clip, showing my new design;
FIG. 2 is a rear, right and top perspective view thereof;
FIG. 3 is a front view thereof;
FIG. 4 is a rear view thereof;
FIG. 5 is a left side view thereof;
FIG. 6 is a right side view thereof;
FIG. 7 is a top plan view thereof; and,
FIG. 8 is a bottom plan view thereof.

1 Claim, 8 Drawing Sheets



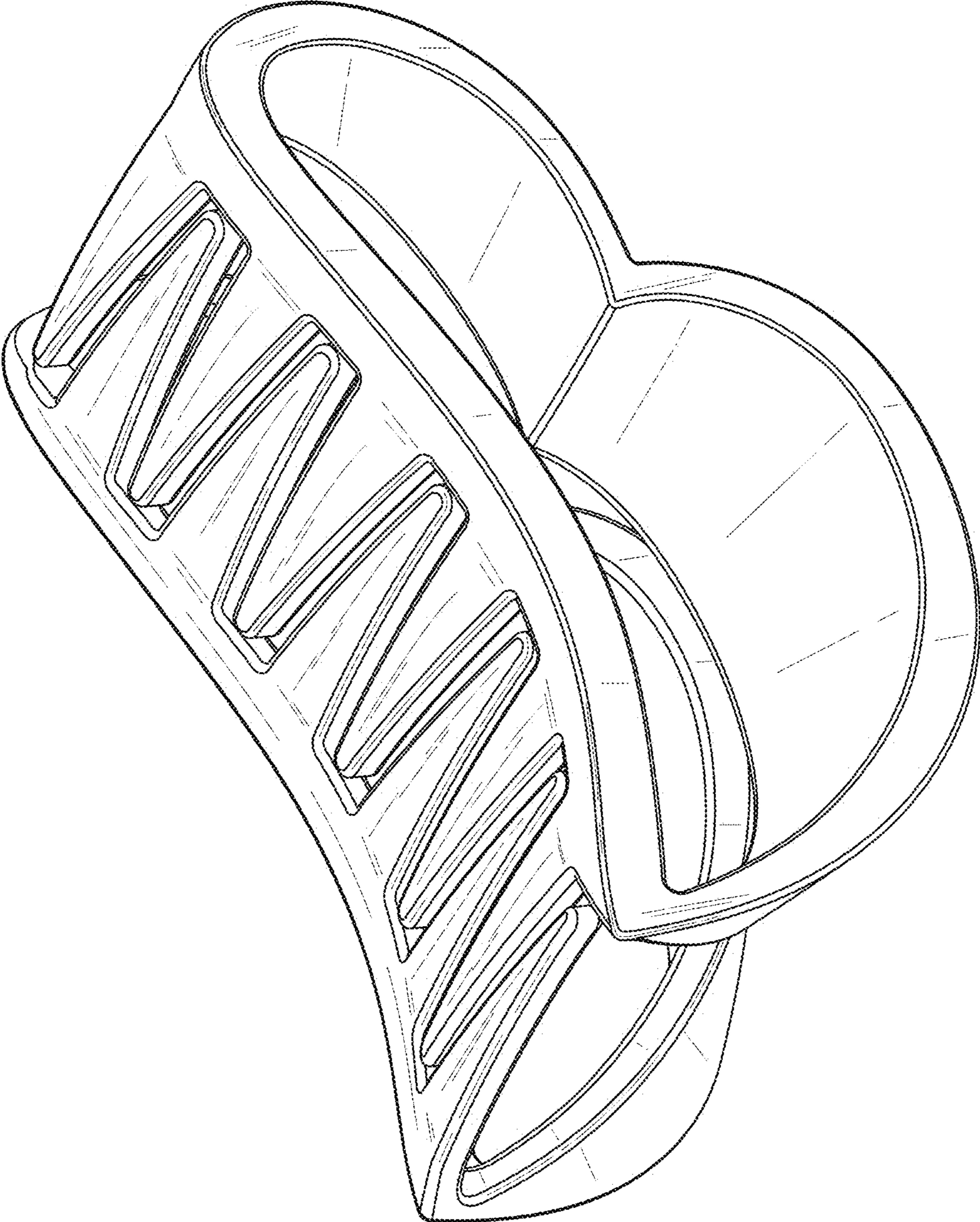


FIG.1

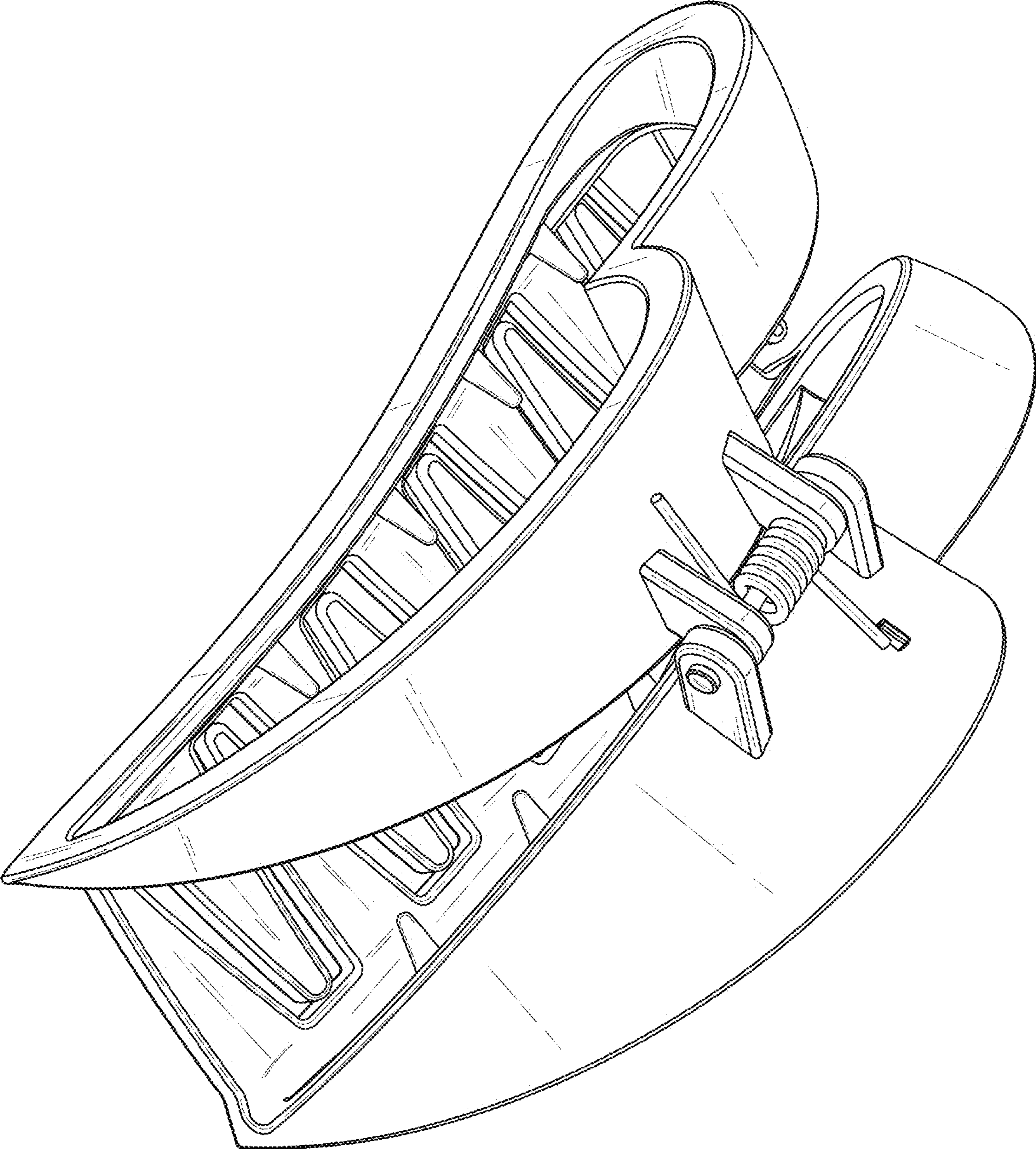


FIG.2

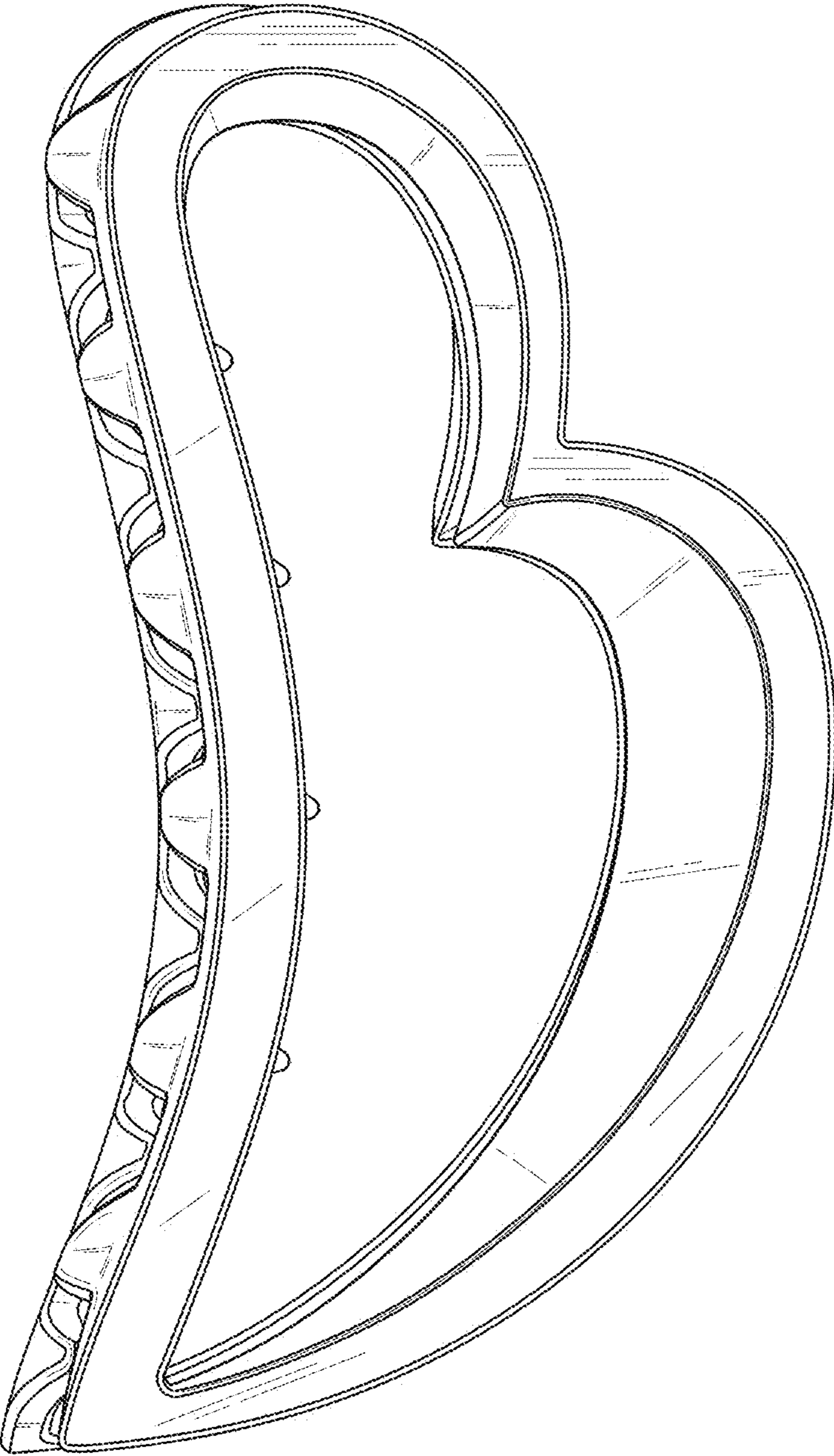


FIG.3

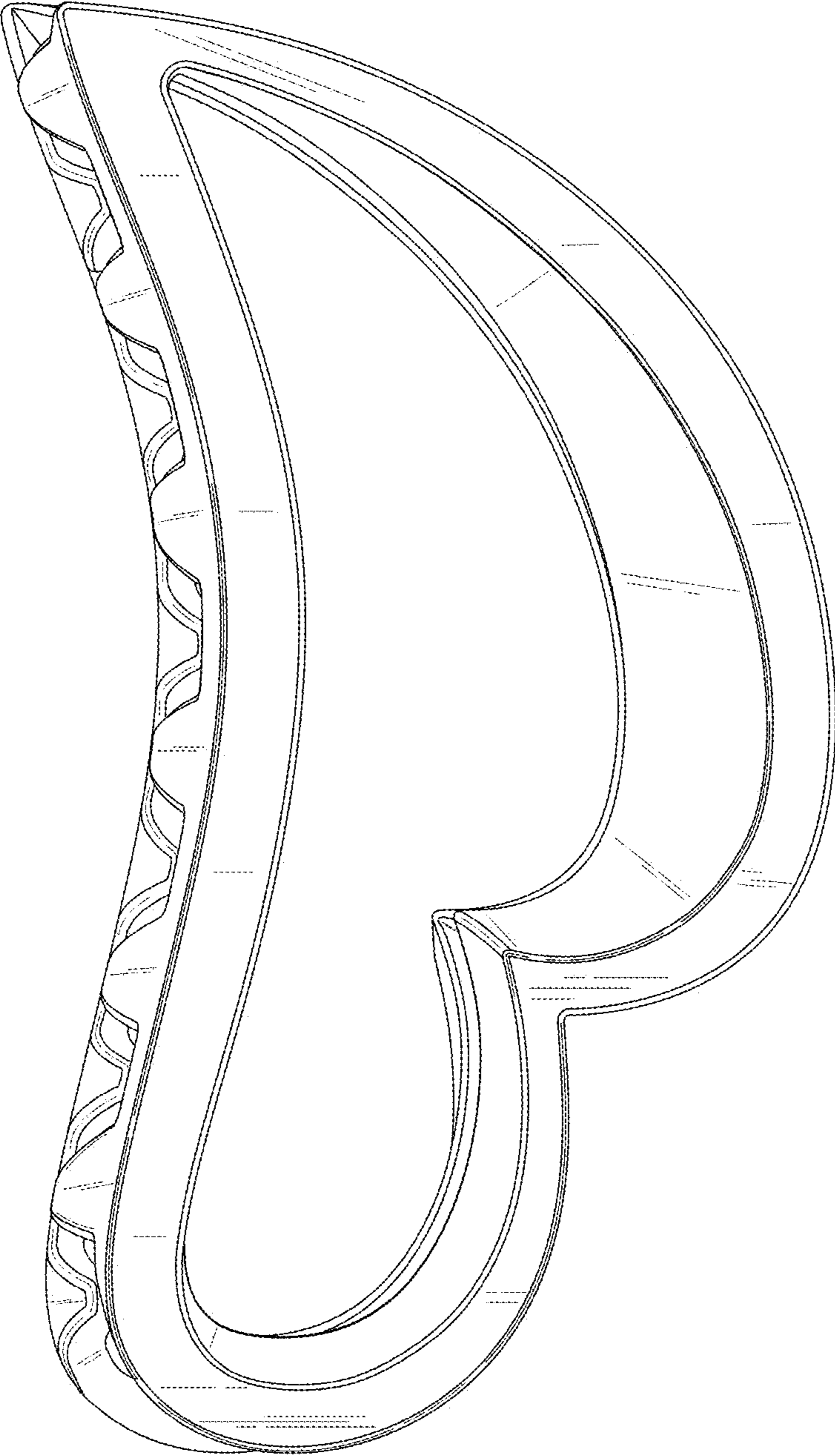


FIG.4

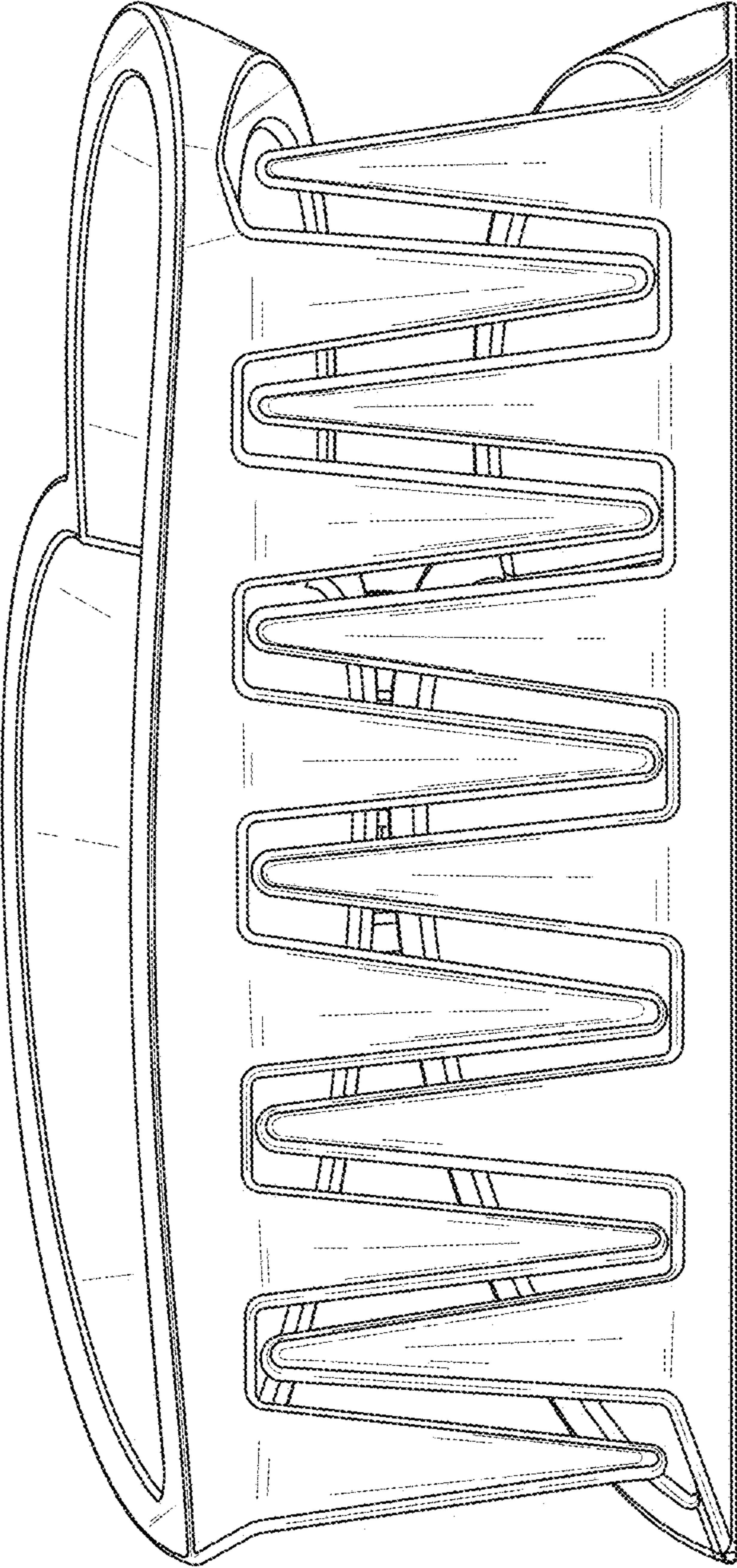


FIG.5

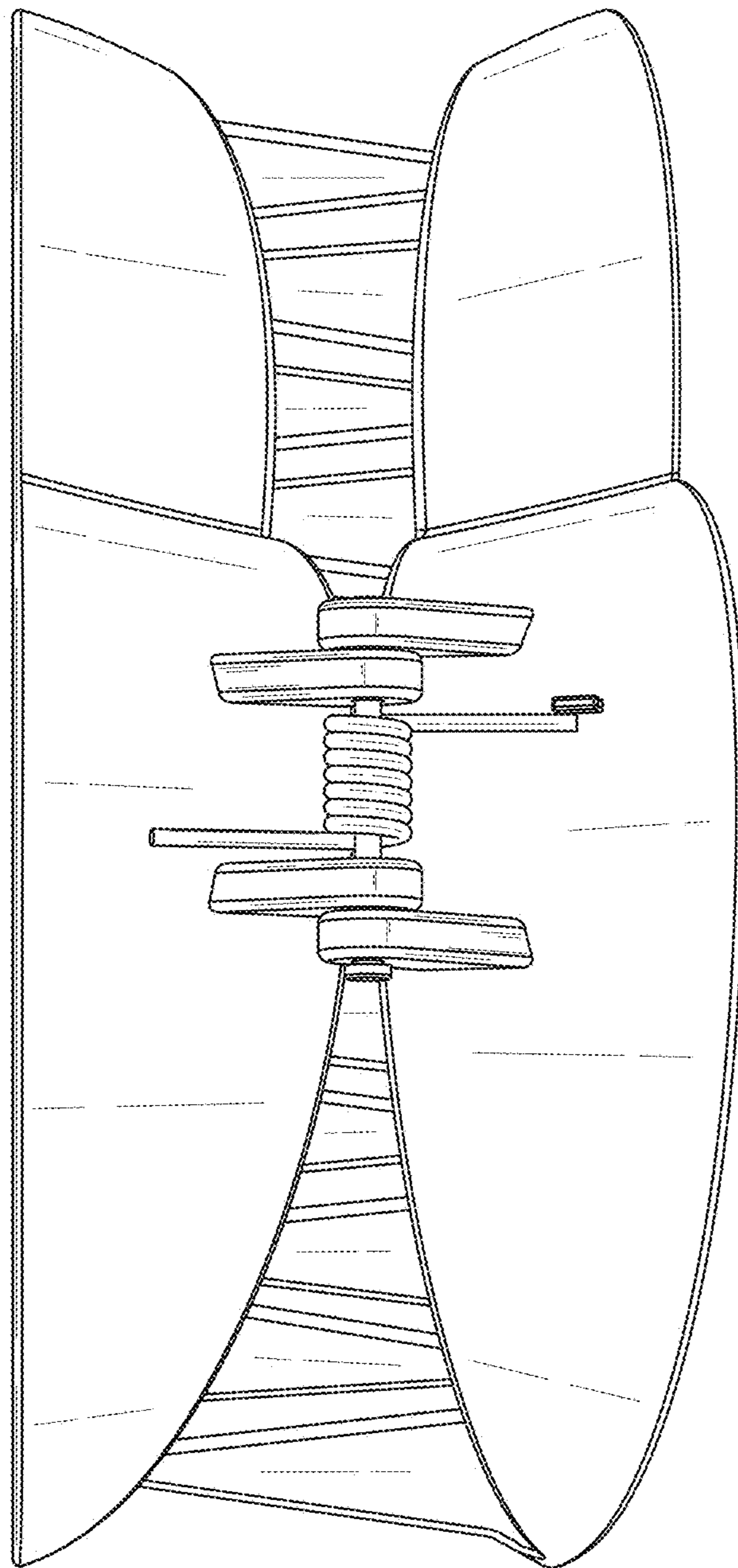


FIG.6

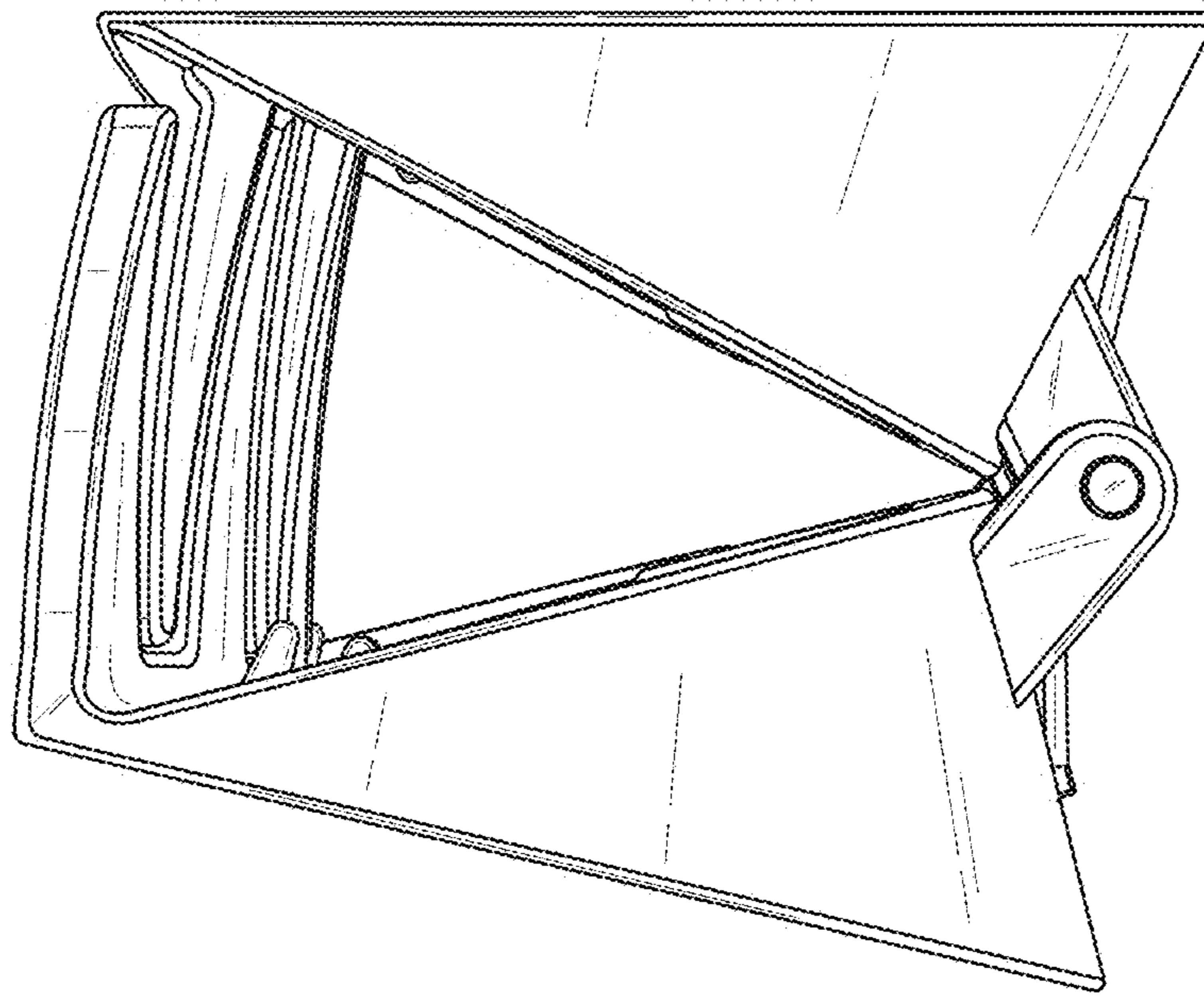


FIG.7

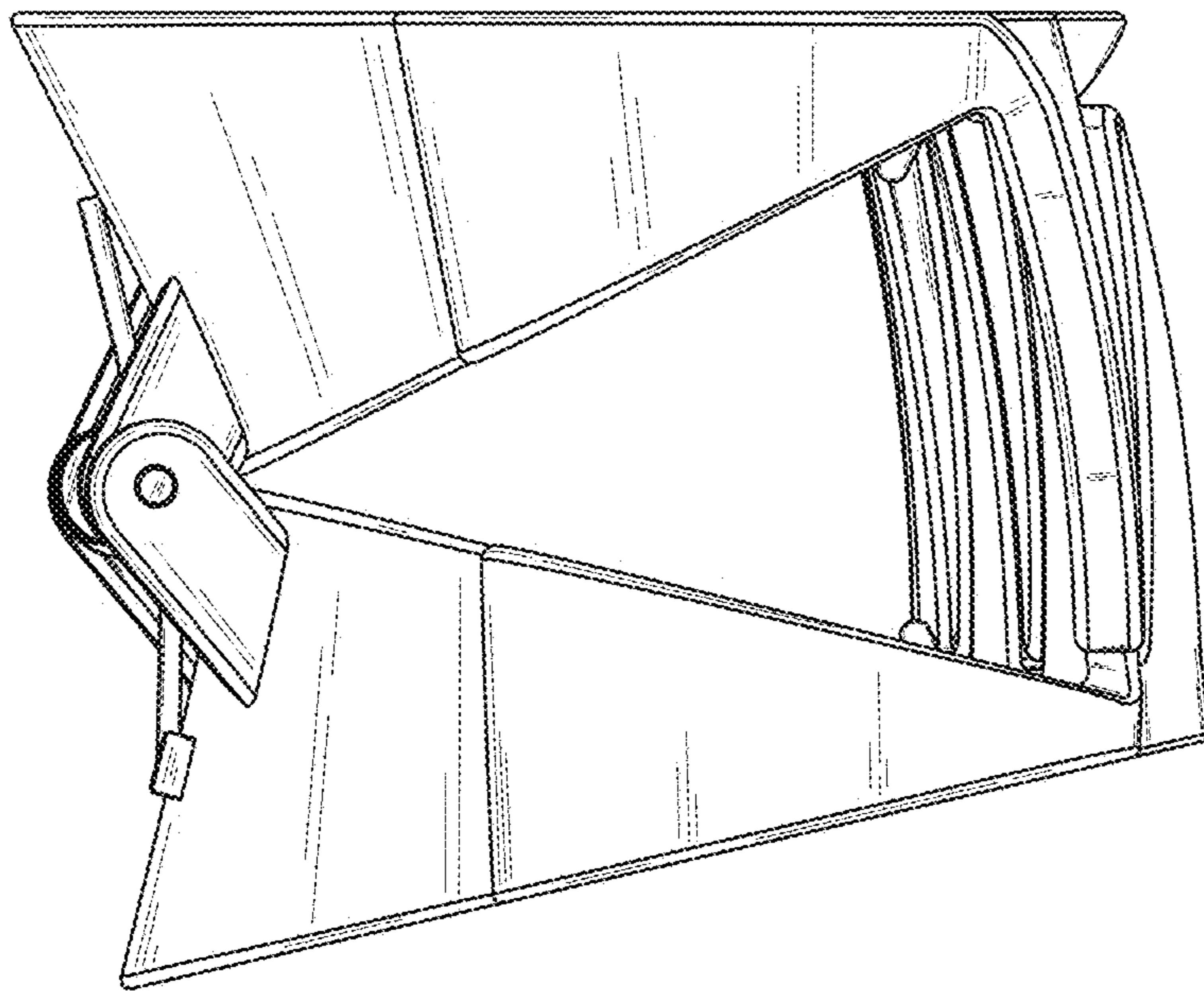


FIG.8