



US00D981643S

(12) **United States Design Patent**
Chen

(10) **Patent No.:** **US D981,643 S**
(45) **Date of Patent:** **** Mar. 21, 2023**

(54) **HAIRPIN**
(71) Applicant: **Zhongzhi Chen**, Hubei (CN)
(72) Inventor: **Zhongzhi Chen**, Hubei (CN)
(**) Term: **15 Years**
(21) Appl. No.: **29/756,016**
(22) Filed: **Oct. 24, 2020**
(51) **LOC (14) Cl.** **28-03**
(52) **U.S. Cl.**
USPC **D28/40**
(58) **Field of Classification Search**
USPC D28/39, 40, 42, 43
CPC . A45D 8/00; A45D 8/002; A45D 8/14; A45D
8/16; A45D 8/18; A45D 8/20; A45D
8/22; A45D 8/24; A45D 8/30
See application file for complete search history.

2,638,908 A * 5/1953 Schildt A45D 8/20
132/277
2,767,720 A * 10/1956 Harridge A45D 8/20
132/277
2,849,008 A * 8/1958 Otten A45D 8/20
132/277
3,101,725 A * 8/1963 Reiner A45D 8/20
132/277
3,213,509 A * 10/1965 Reiner A45D 8/20
132/277
3,213,865 A * 10/1965 Jennis A45D 8/20
24/511
3,250,282 A * 5/1966 Thatcher A45D 8/20
132/277
3,983,887 A * 10/1976 Chan A45D 8/20
132/277

* cited by examiner

Primary Examiner — Zenia I Bennett

(57) **CLAIM**

The ornamental design for a hairpin, as shown and described.

(56) **References Cited**

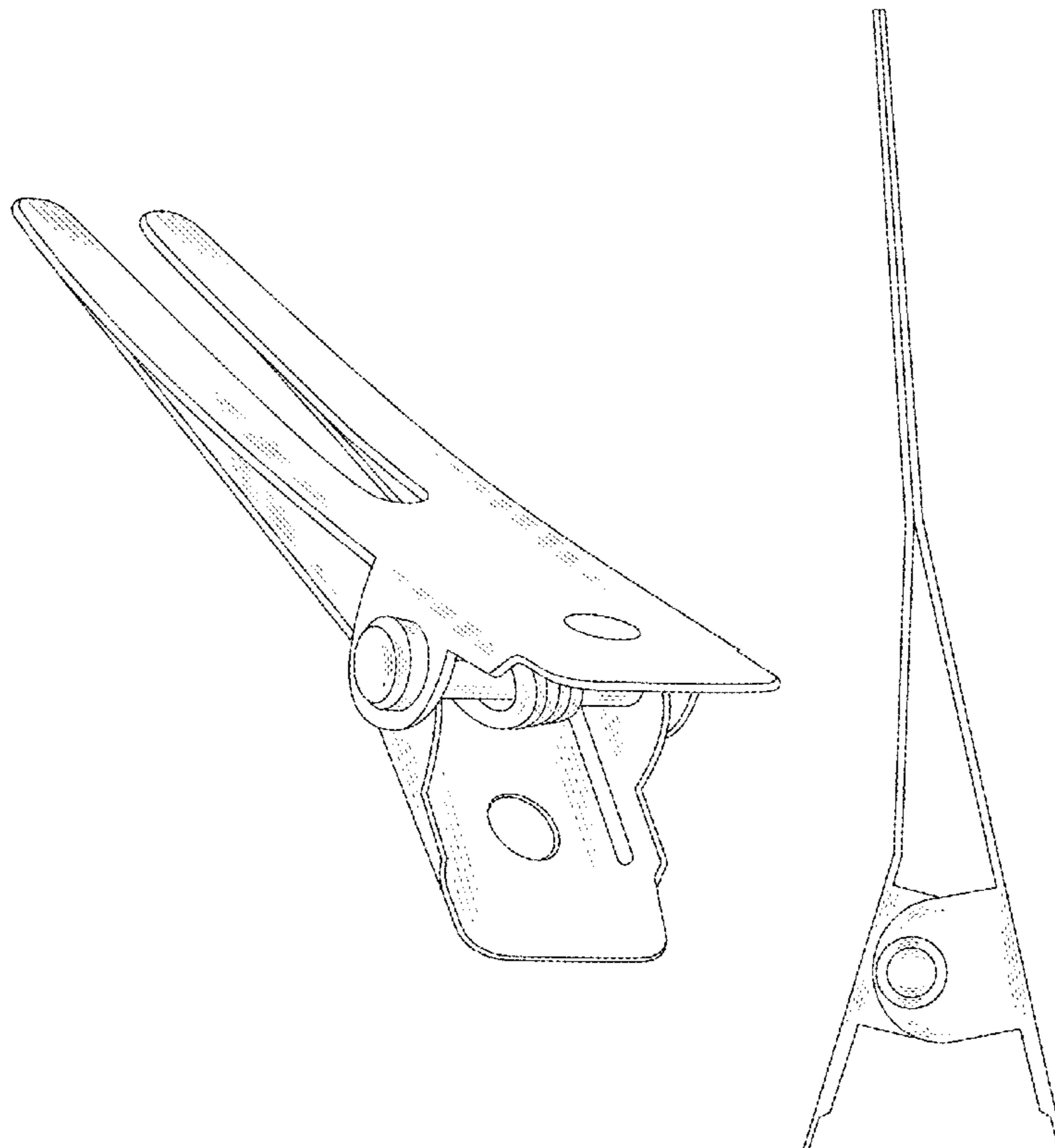
U.S. PATENT DOCUMENTS

1,946,561 A * 2/1934 Wideman A45D 8/20
24/511
2,459,452 A * 1/1949 Reiner A45D 8/20
132/277
2,467,487 A * 4/1949 Leon A45D 8/20
132/277
2,505,719 A * 4/1950 Peck A45D 8/20
132/277
D167,766 S * 9/1952 Olevin D28/39

DESCRIPTION

FIG. 1 is a perspective view of a hairpin showing my new design;
FIG. 2 is a front elevational view thereof;
FIG. 3 is a rear elevational view thereof;
FIG. 4 is a left side elevational view thereof;
FIG. 5 is a right side elevational view thereof;
FIG. 6 is a top plan view thereof; and,
FIG. 7 is a bottom plan view thereof.

1 Claim, 7 Drawing Sheets



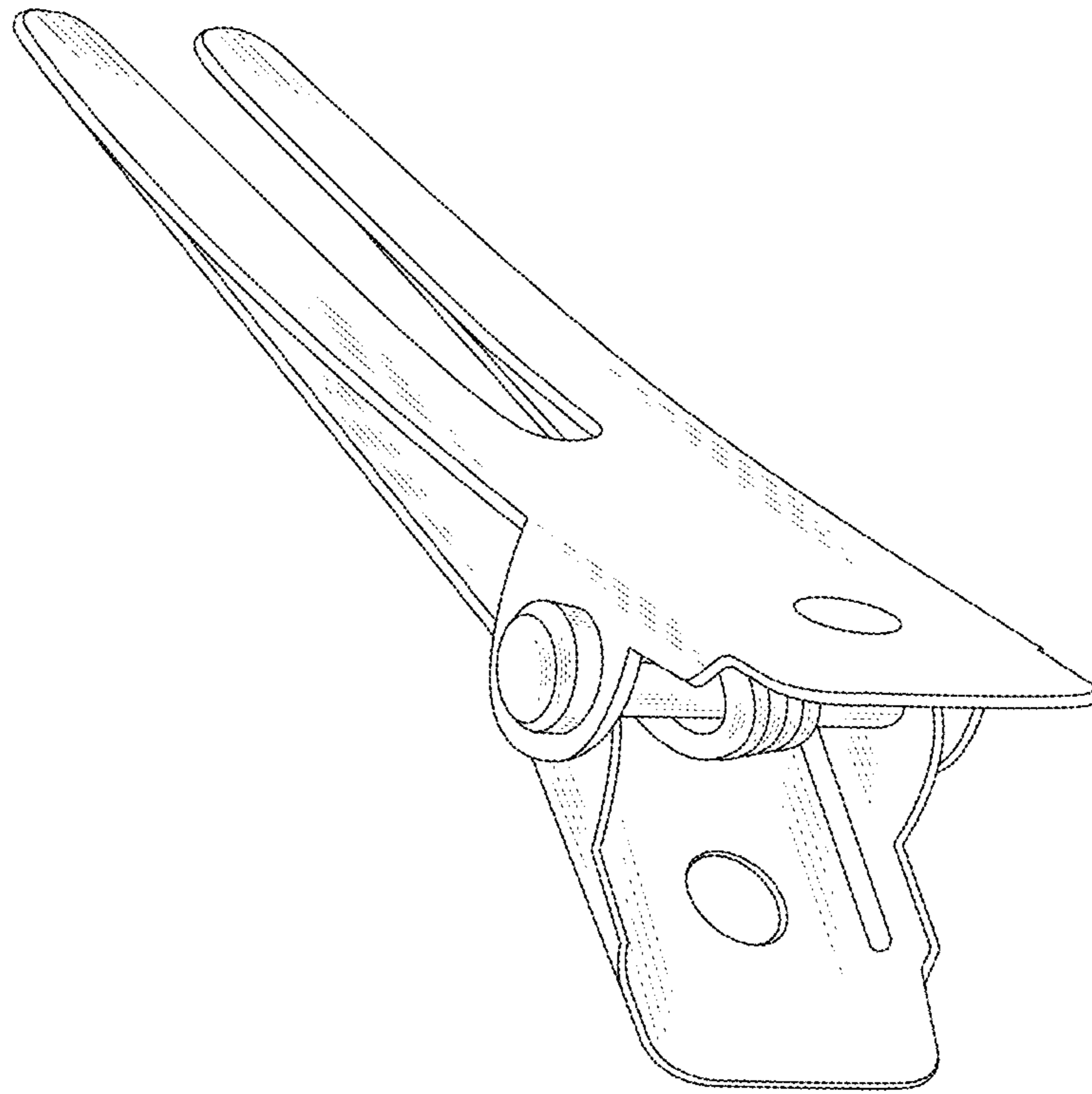


FIG. 1

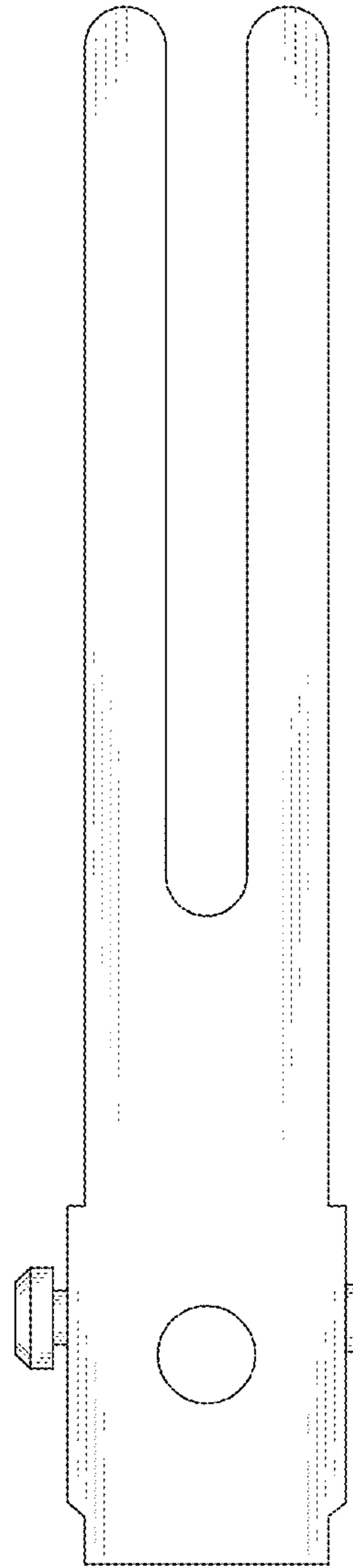


FIG. 2

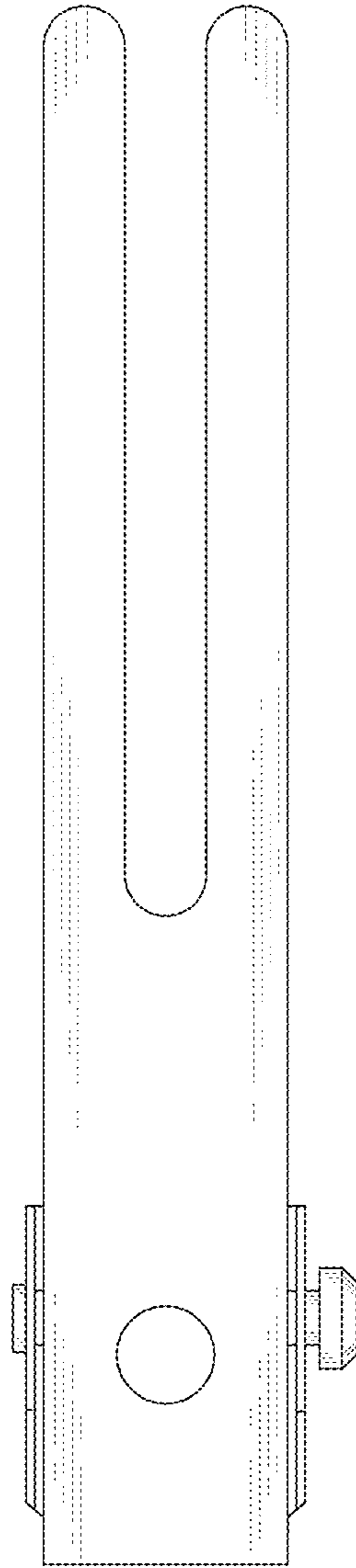


FIG. 3

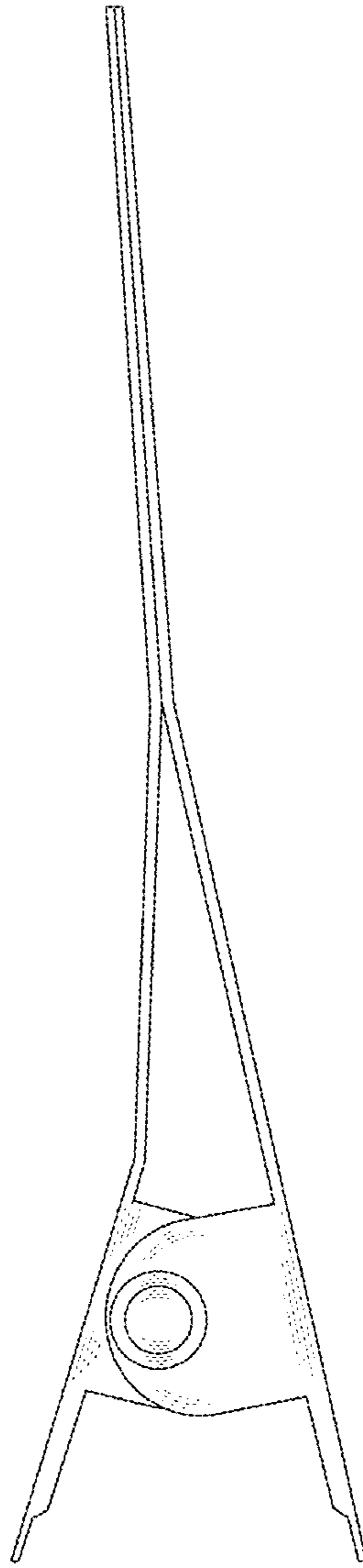


FIG. 4

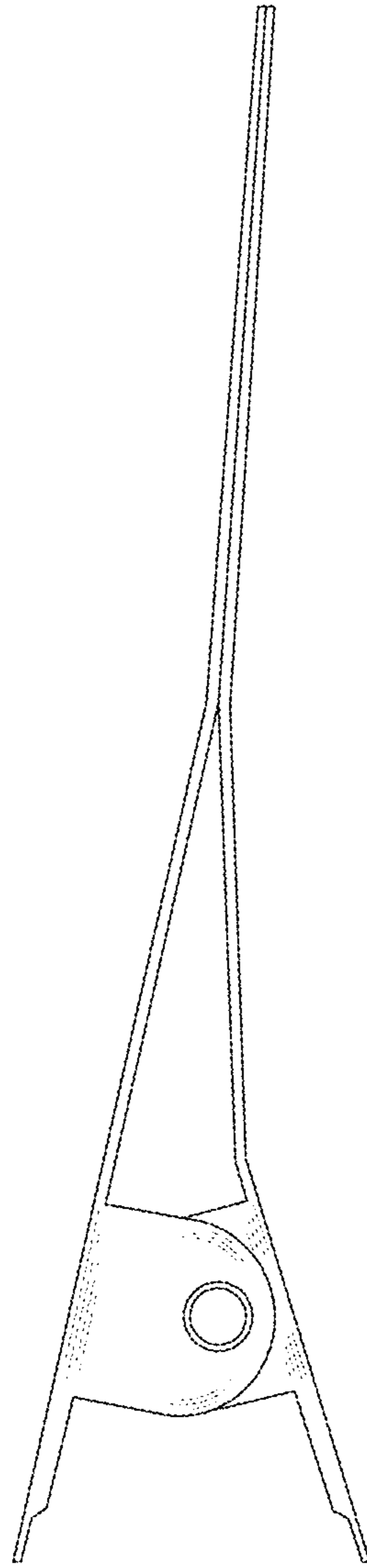


FIG. 5

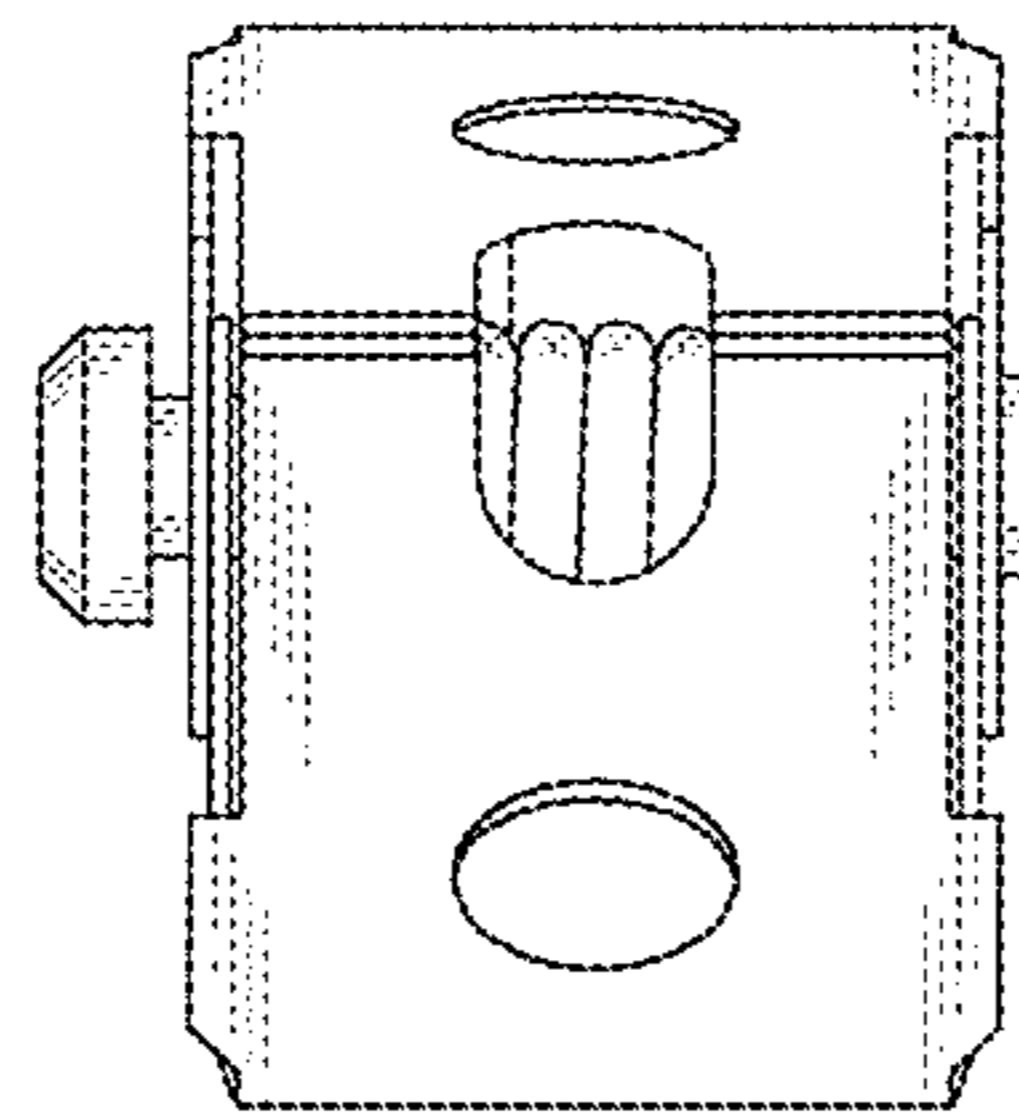


FIG. 6

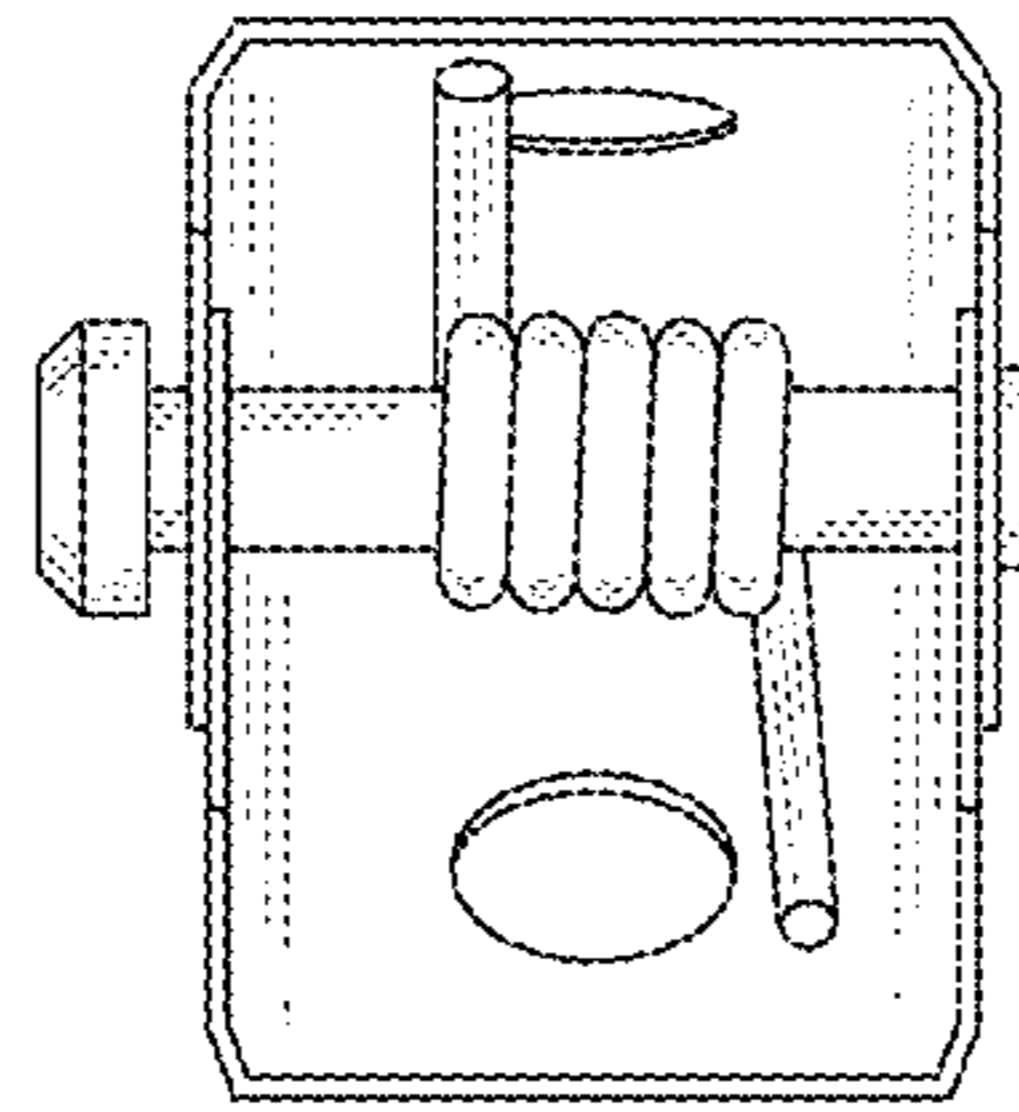


FIG. 7