



US00D981642S

(12) **United States Design Patent**  
**Wang**

(10) **Patent No.:** **US D981,642 S**  
(45) **Date of Patent:** **\*\* Mar. 21, 2023**

(54) **LIGHTER**

(71) Applicant: **Shuilong Wang**, Shenzhen (CN)

(72) Inventor: **Shuilong Wang**, Shenzhen (CN)

(\*\*) Term: **15 Years**

(21) Appl. No.: **29/850,101**

(22) Filed: **Aug. 17, 2022**

(51) **LOC (14) Cl.** ..... **27-05**

(52) **U.S. Cl.**  
USPC ..... **D27/141**

(58) **Field of Classification Search**  
USPC ..... D27/141, 139, 142, 147, 148, 153, 154,  
D27/157, 159, 160, 161, 183, 195  
CPC ..... F23Q 2/00; F23Q 2/02; F23Q 2/16; F23Q  
2/161; F23Q 2/162; F23Q 2/164; F23Q  
2/167; F23Q 7/00; F23Q 7/10; F23Q  
7/14; F23Q 7/16; F23Q 7/24

See application file for complete search history.

(56) **References Cited**

**U.S. PATENT DOCUMENTS**

D451,635 S *	12/2001	Smith	.....	D27/157
D463,064 S *	9/2002	Hong	.....	D27/157
D467,033 S *	12/2002	Smith	.....	D27/157
D498,330 S *	11/2004	Koike	.....	D27/157
D526,440 S *	8/2006	Smith	.....	D27/157
D536,480 S *	2/2007	Park	.....	D27/154
D538,972 S *	3/2007	Smith	.....	D27/157
D539,975 S *	4/2007	Park	.....	D27/154
D551,800 S *	9/2007	Smith	.....	D27/157
D552,298 S *	10/2007	Smith	.....	D27/157
D553,792 S *	10/2007	Smith	.....	D27/157
D592,802 S *	5/2009	Chuan	.....	D27/157
D605,350 S *	12/2009	Smith	.....	D27/157
D617,042 S *	6/2010	Wong	.....	D27/141
D617,496 S *	6/2010	Wong	.....	D27/195
D622,902 S *	8/2010	An	.....	D27/157
D634,889 S *	3/2011	Park	.....	D27/157
D653,391 S *	1/2012	Chuan	.....	D27/156

D681,875 S *	5/2013	Park	.....	D27/141
D698,993 S *	2/2014	Sharif	.....	D27/195
D757,359 S *	5/2016	Van Keppel	.....	D27/195
D853,024 S *	7/2019	Almsberger	.....	D27/195
D858,867 S *	9/2019	Pan	.....	D27/154
D860,518 S	9/2019	Pan		
D870,958 S *	12/2019	Park	.....	D27/160

(Continued)

**OTHER PUBLICATIONS**

Cigar Lighter By: Fankai found on Amazon (Oct. 25, 2022) [https://www.amazon.com/FANKAI-Refillable-Windproof-Lighters-Included/dp/B0B5GP2K7T/ref=sr\\_1\\_23?crd=20167MG3J54BW&keywords=cigar+lighter+cutter+combo&qid=\(Jul. 2, 2022\).\\*](https://www.amazon.com/FANKAI-Refillable-Windproof-Lighters-Included/dp/B0B5GP2K7T/ref=sr_1_23?crd=20167MG3J54BW&keywords=cigar+lighter+cutter+combo&qid=(Jul. 2, 2022).*)

*Primary Examiner* — Rebecca Tsehaye  
(74) *Attorney, Agent, or Firm* — Rumit Ranjit Kanakia

(57) **CLAIM**

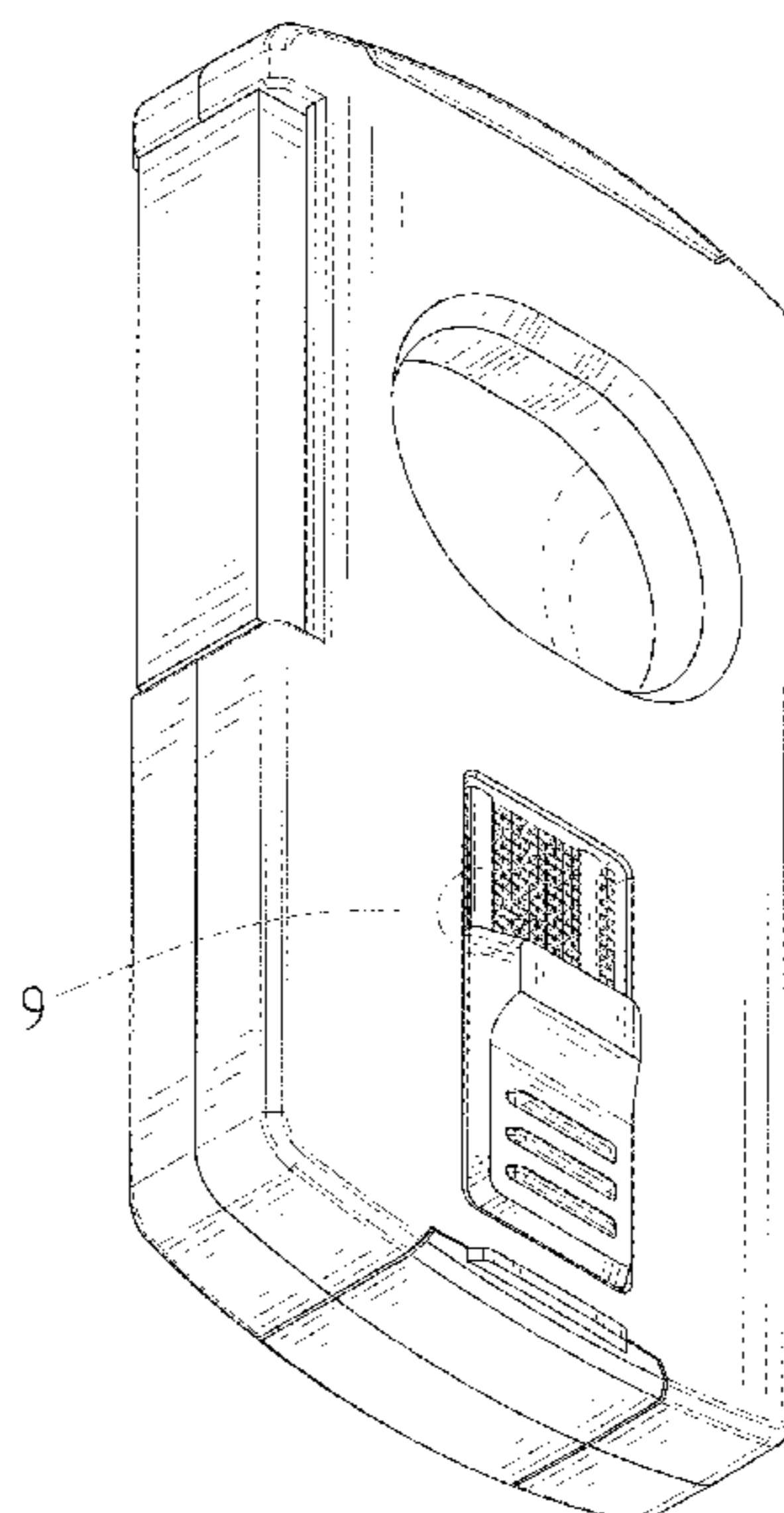
The ornamental design for a lighter, as shown and described.

**DESCRIPTION**

FIG. 1 is a first perspective view of a lighter showing my new design;  
FIG. 2 is a second perspective view thereof;  
FIG. 3 is a front view thereof;  
FIG. 4 is a back view thereof;  
FIG. 5 is a left side view thereof;  
FIG. 6 is a right side view thereof;  
FIG. 7 is a top view thereof;  
FIG. 8 is a bottom view thereof; and,  
FIG. 9 is an enlarged view of the selected portion 9 in FIG. 1.

The broken lines consisting of evenly spaced dash lines in the drawing depict portions of the lighter that form no part of the claimed design; The broken lines consisting of short and long dash lines encircling the enlarged detail views are for annotative purposes that form no part of the claimed design.

**1 Claim, 9 Drawing Sheets**



(56)

**References Cited**

U.S. PATENT DOCUMENTS

D872,356 S	1/2020	Pan	
D884,264 S	5/2020	Pan	
D960,444 S *	8/2022	Yang	..... D27/195
2004/0142293 A1 *	7/2004	Smith	..... F23Q 2/32 431/253

\* cited by examiner

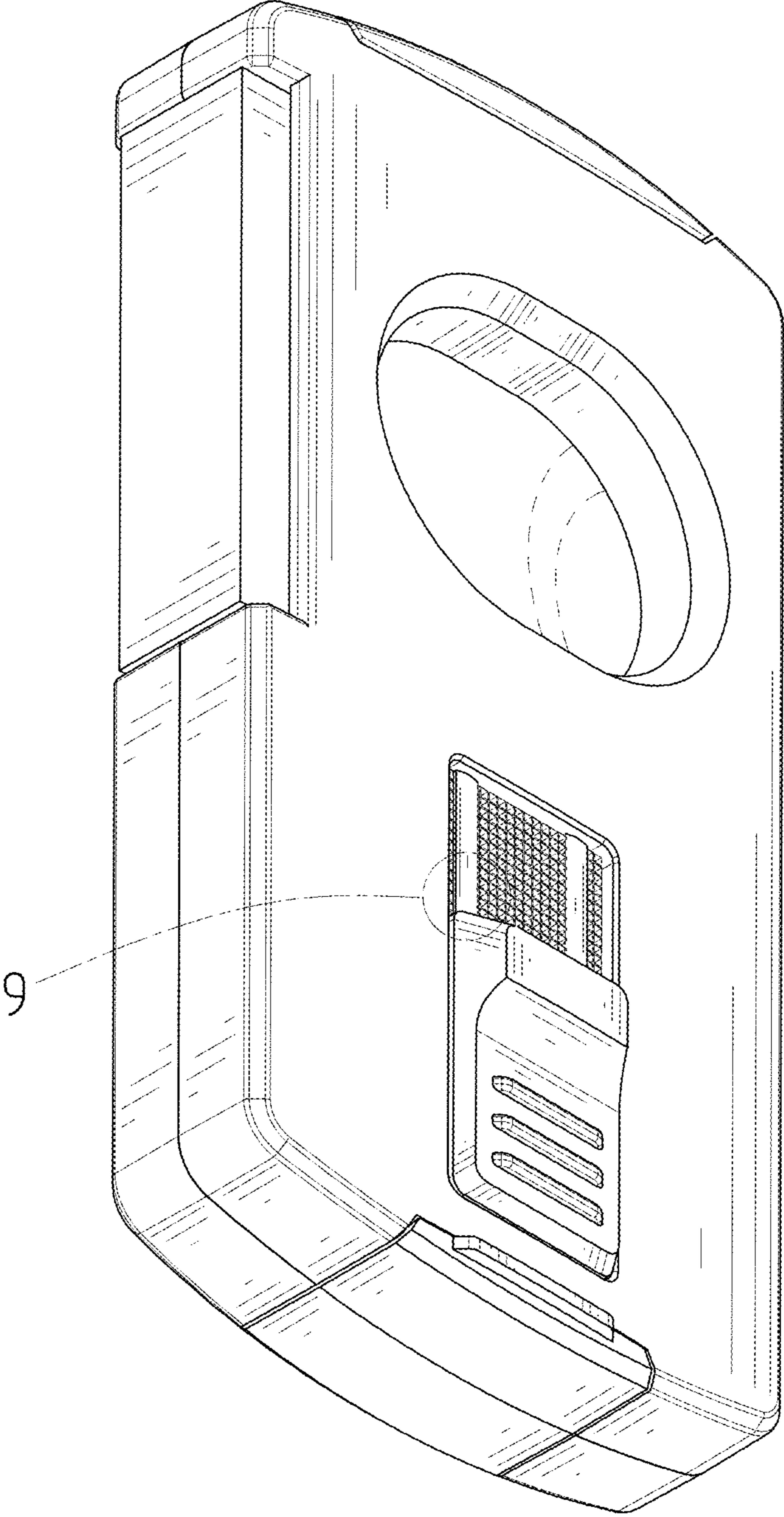


FIG. 1

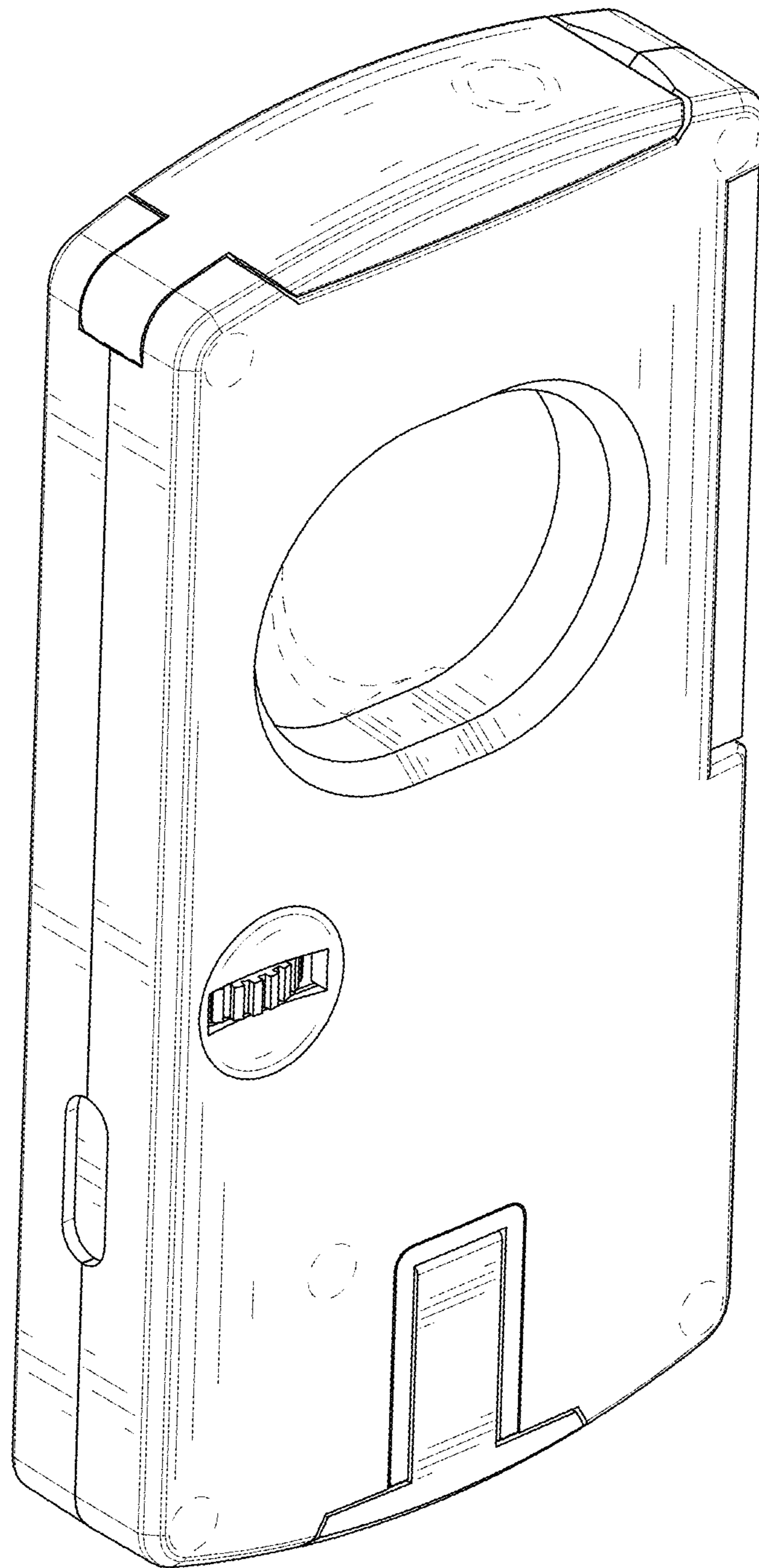


FIG. 2



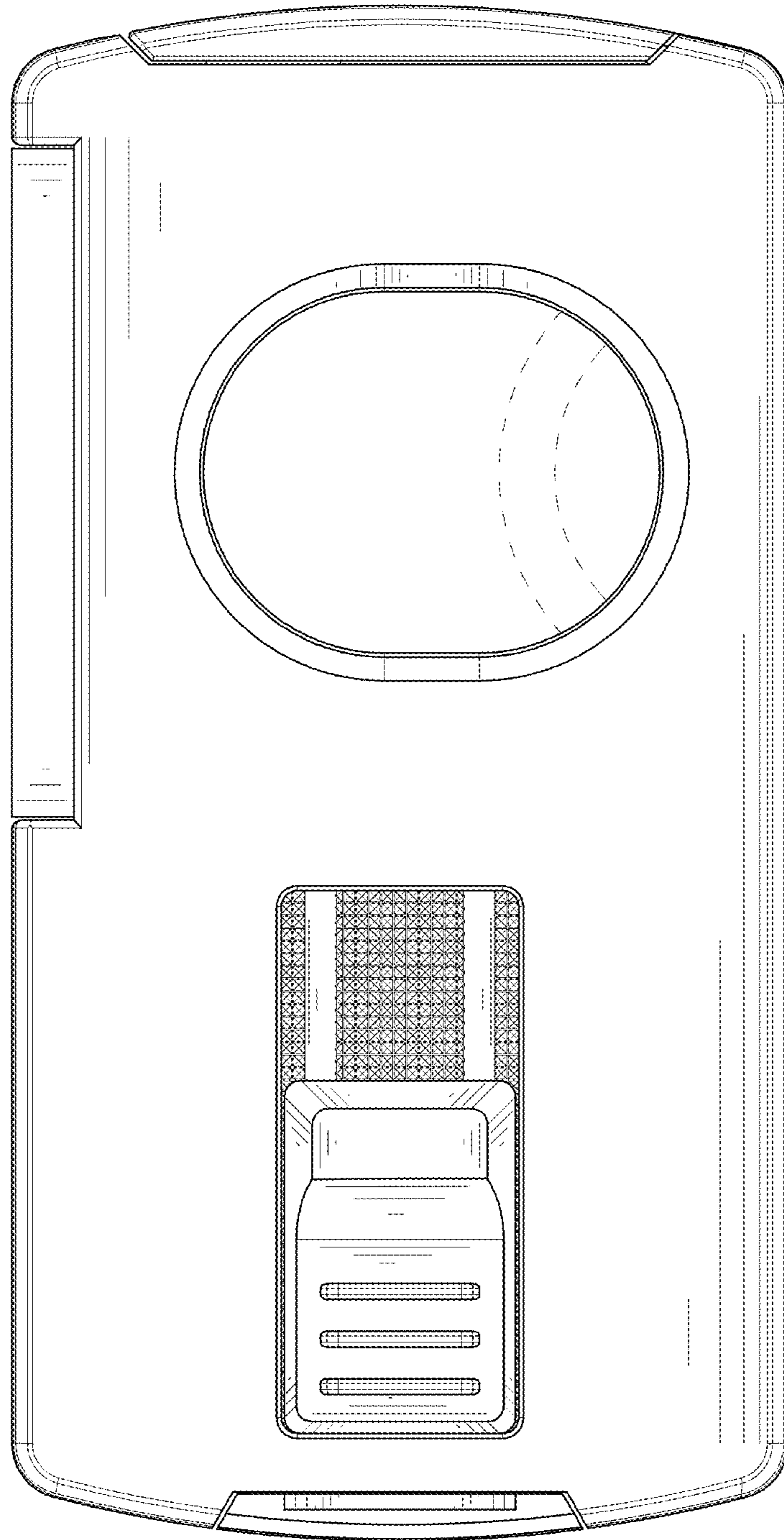


FIG. 3

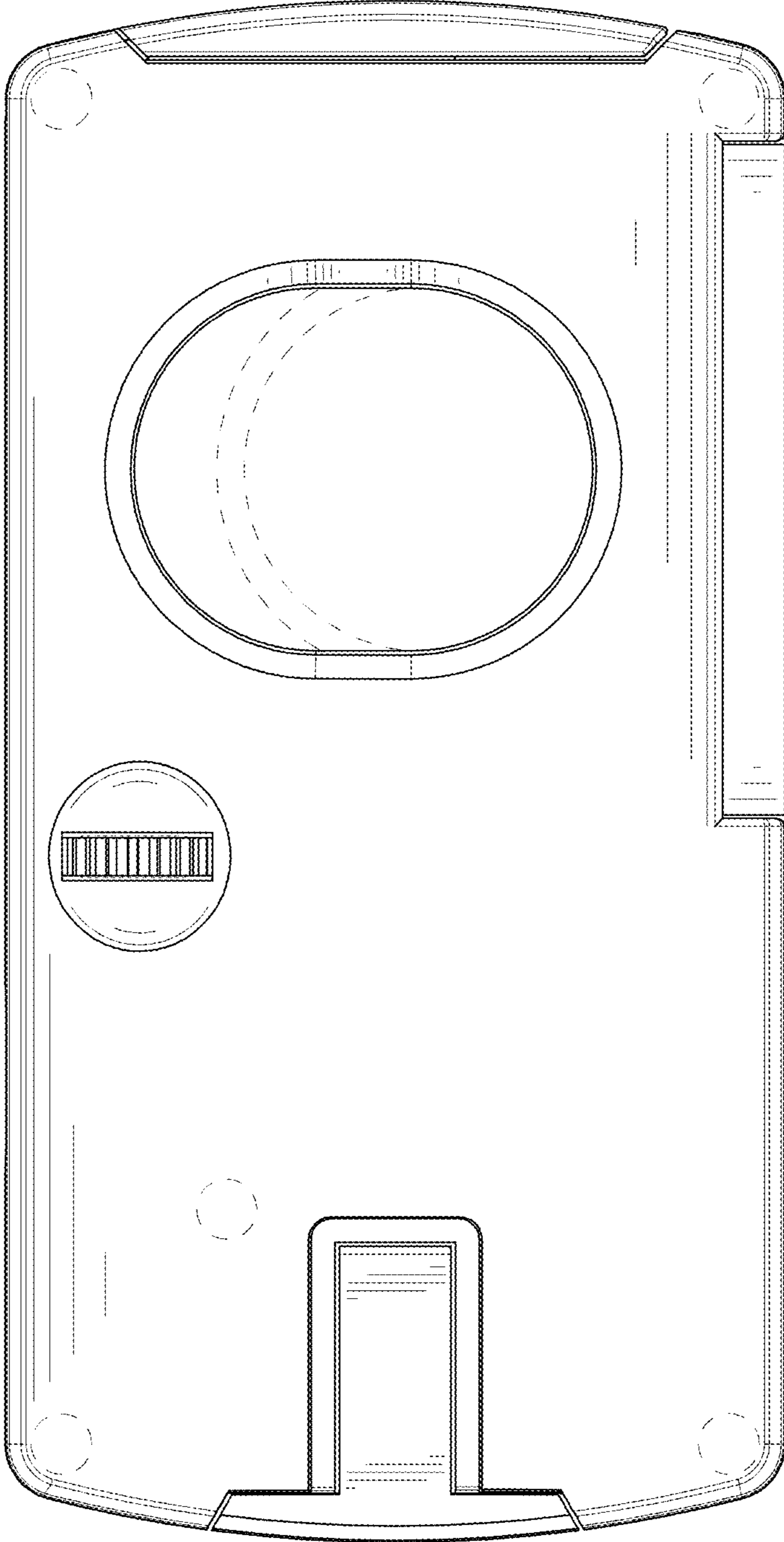


FIG. 4

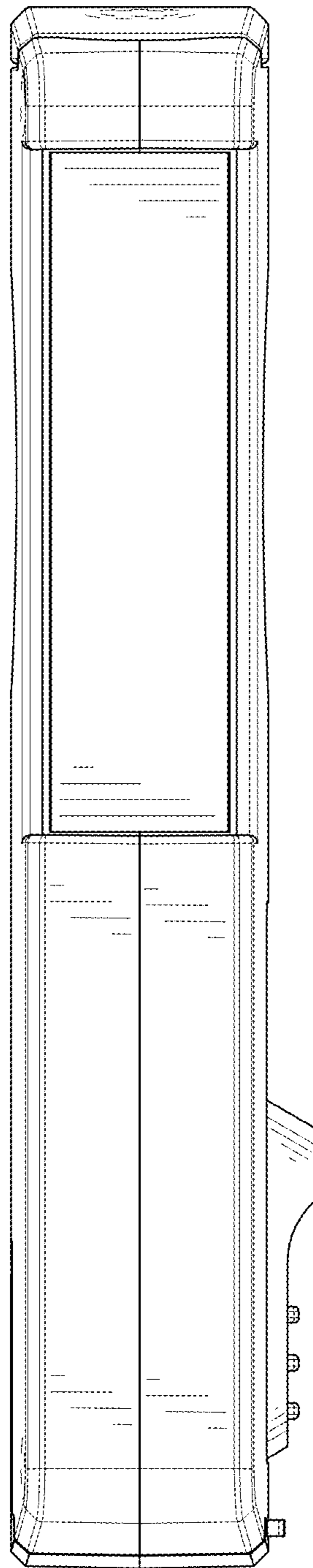


FIG. 5

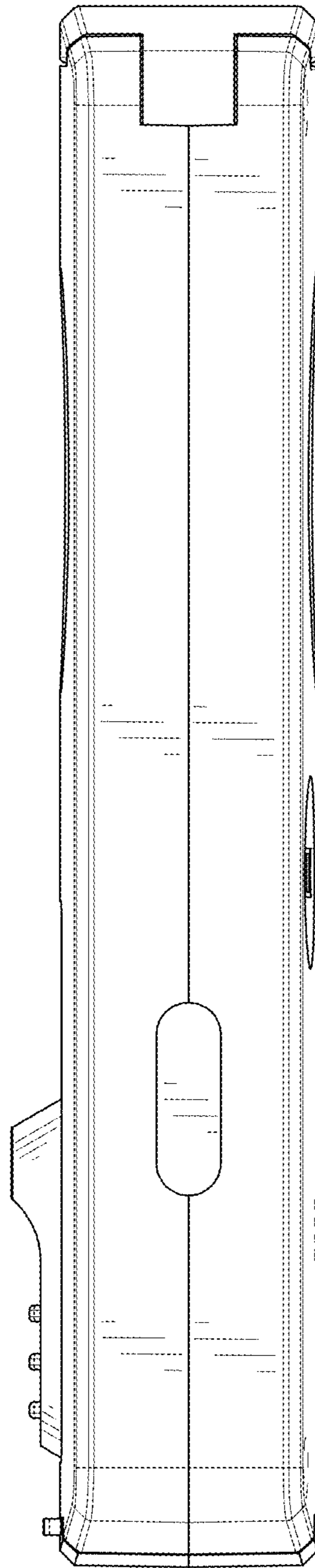


FIG. 6



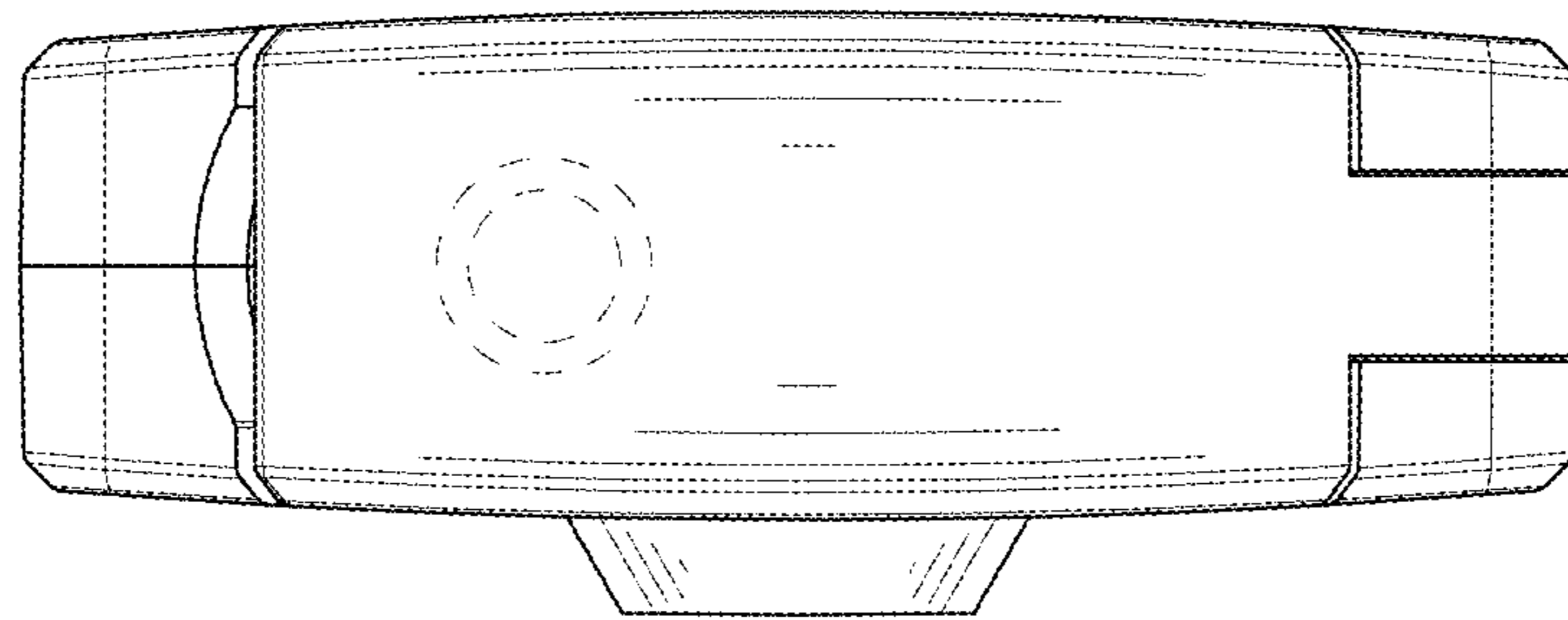


FIG. 7

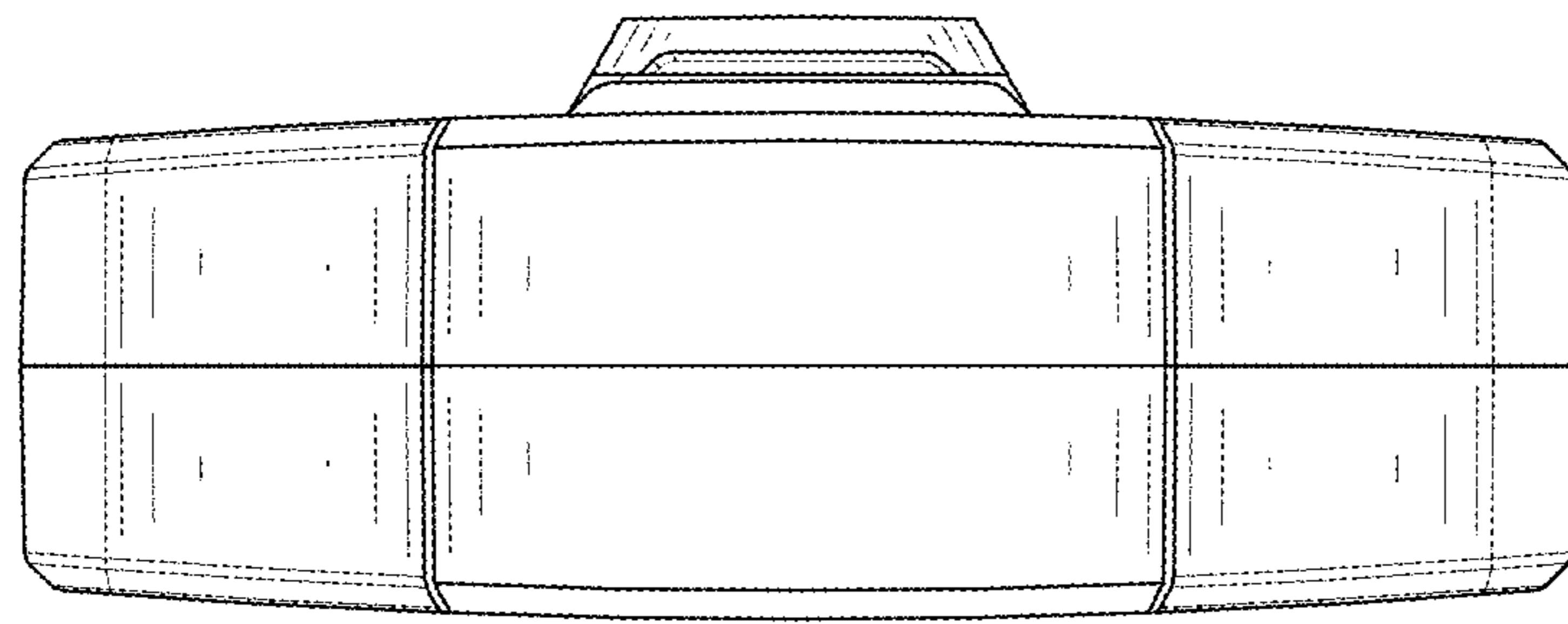


FIG. 8

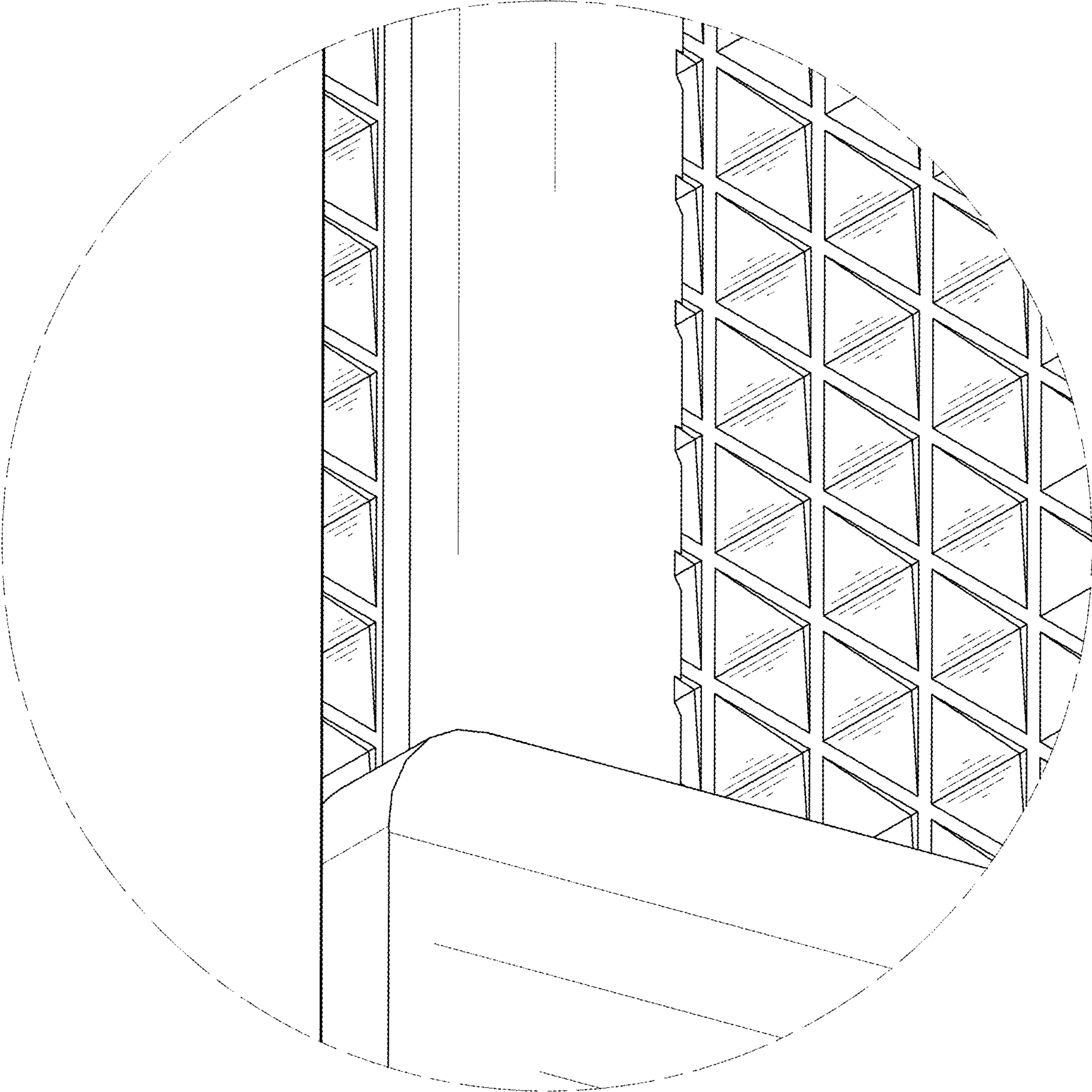


FIG. 9