



US00D981641S

(12) **United States Design Patent**  
**Poon**

(10) **Patent No.:** **US D981,641 S**  
(45) **Date of Patent:** **\*\* Mar. 21, 2023**

(54) **SOFTBOX**

(71) Applicant: **ETERNAL FORTUNE (HK) LTD.**,  
Hong Kong (CN)

(72) Inventor: **Hung Lok Poon**, Hong Kong (CN)

(\*\*) Term: **15 Years**

(21) Appl. No.: **29/815,941**

(22) Filed: **Nov. 17, 2021**

(51) **LOC (14) Cl.** ..... **26-05**

(52) **U.S. Cl.**  
USPC ..... **D26/118; D16/237**

(58) **Field of Classification Search**  
USPC ..... **D16/237; D26/118**  
CPC ..... **G03B 15/06**  
See application file for complete search history.

(56) **References Cited**

**U.S. PATENT DOCUMENTS**

D622,440	S	*	8/2010	Briese	.....	D26/118
D641,100	S		7/2011	Li		
D692,609	S	*	10/2013	Waltz	.....	D26/118
D768,910	S	*	10/2016	Reynolds	.....	D26/118
D877,966	S	*	3/2020	Boerup	.....	D26/118
D888,811	S	*	6/2020	Chen	.....	D16/237
D894,472	S	*	8/2020	Boerup	.....	D26/118
D905,900	S	*	12/2020	Nykolyshyn	.....	D16/237
D929,644	S	*	8/2021	Aravena	.....	D26/118
D940,783	S	*	1/2022	Lin	.....	D16/244
D971,297	S	*	11/2022	Hu	.....	D16/237
2010/0188752	A1	*	7/2010	Briese	.....	G03B 15/06
						359/599
2021/0382374	A1	*	12/2021	Yoo	.....	G03B 15/02

**OTHER PUBLICATIONS**

Phottix, "Phottix G-Capsule Softbox 85cm (33")", Accessed Dec. 14, 2022. (<https://www.phottix.com/product/phottix-g-capsule-softbox-85cm-33/>) (Year: 2022).\*

B&H Photo, "Godox Collapsible Lantern Softbox (26.6")", First reviewed Apr. 13, 2021. ([https://www.bhphotovideo.com/c/product/1572342-REG/godox\\_cs65d\\_latern\\_softbox.html](https://www.bhphotovideo.com/c/product/1572342-REG/godox_cs65d_latern_softbox.html)) (Year: 2021).\*

\* cited by examiner

*Primary Examiner* — April Rivas

(74) *Attorney, Agent, or Firm* — Daniel M. Cohn;  
Howard M. Cohn

(57) **CLAIM**

The ornamental design for a softbox, as shown and described.

**DESCRIPTION**

FIG. 1 is a perspective view of a softbox showing my new design;

FIG. 2 is another perspective view thereof;

FIG. 3 is a front elevational view thereof;

FIG. 4 is a rear elevational view thereof;

FIG. 5 is a left side elevational view thereof;

FIG. 6 is a right side elevational view thereof;

FIG. 7 is a top plan view thereof;

FIG. 8 is a bottom plan view thereof;

FIG. 9 is a perspective view of the softbox where the softbox is in a configuration of use;

FIG. 10 is an enlarged view of portion 10 shown in FIG. 1;

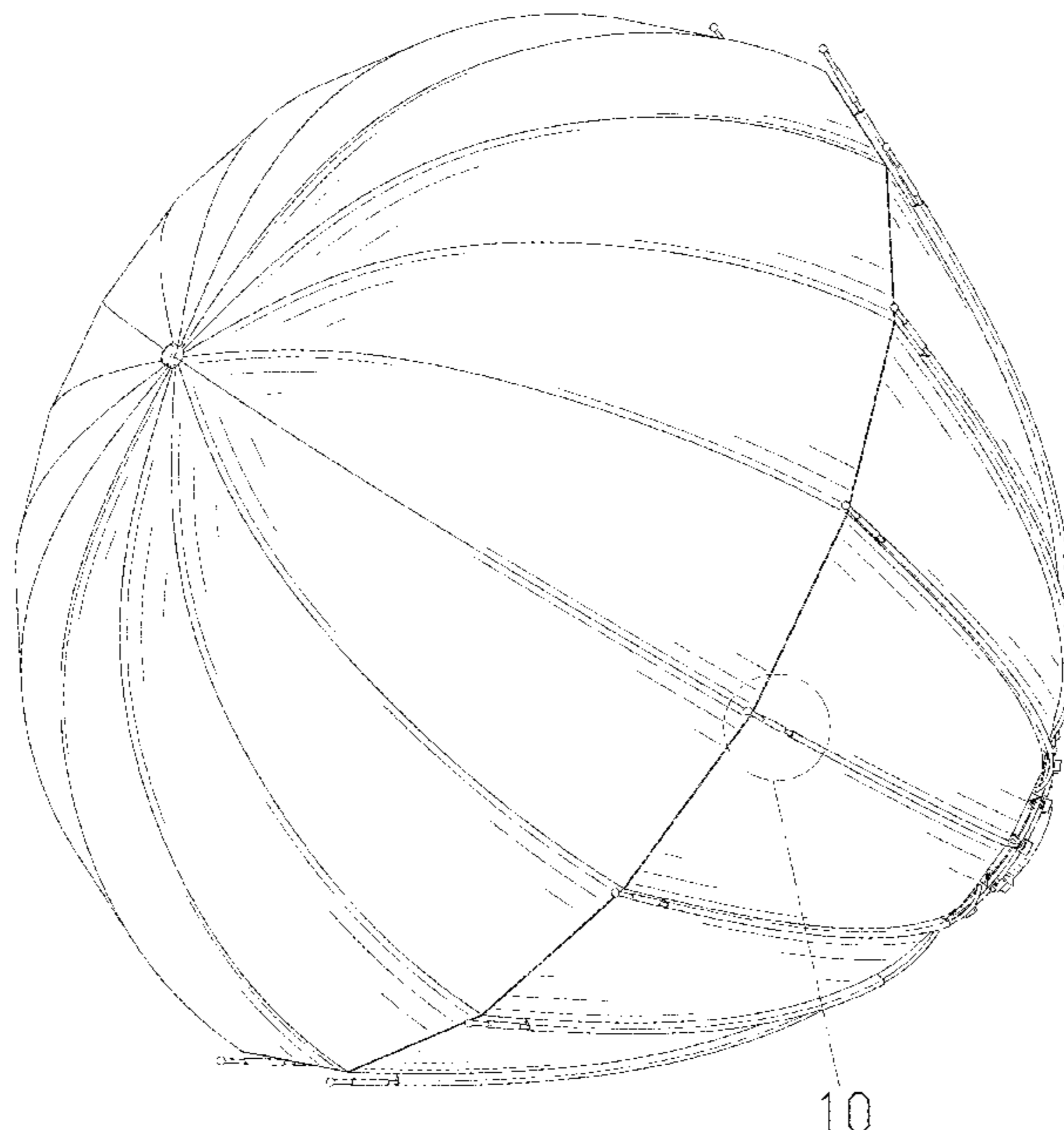
FIG. 11 is an enlarged view of portion 11 shown in FIG. 2;

and,

FIG. 12 is an enlarged view of portion 12 shown in FIG. 8.

The dash-dash broken lines in the drawings depict portions of the softbox that form no part of the claimed design. The dot-dash broken lines represent boundaries of the enlarged portions and form no part of the claimed design.

**1 Claim, 12 Drawing Sheets**



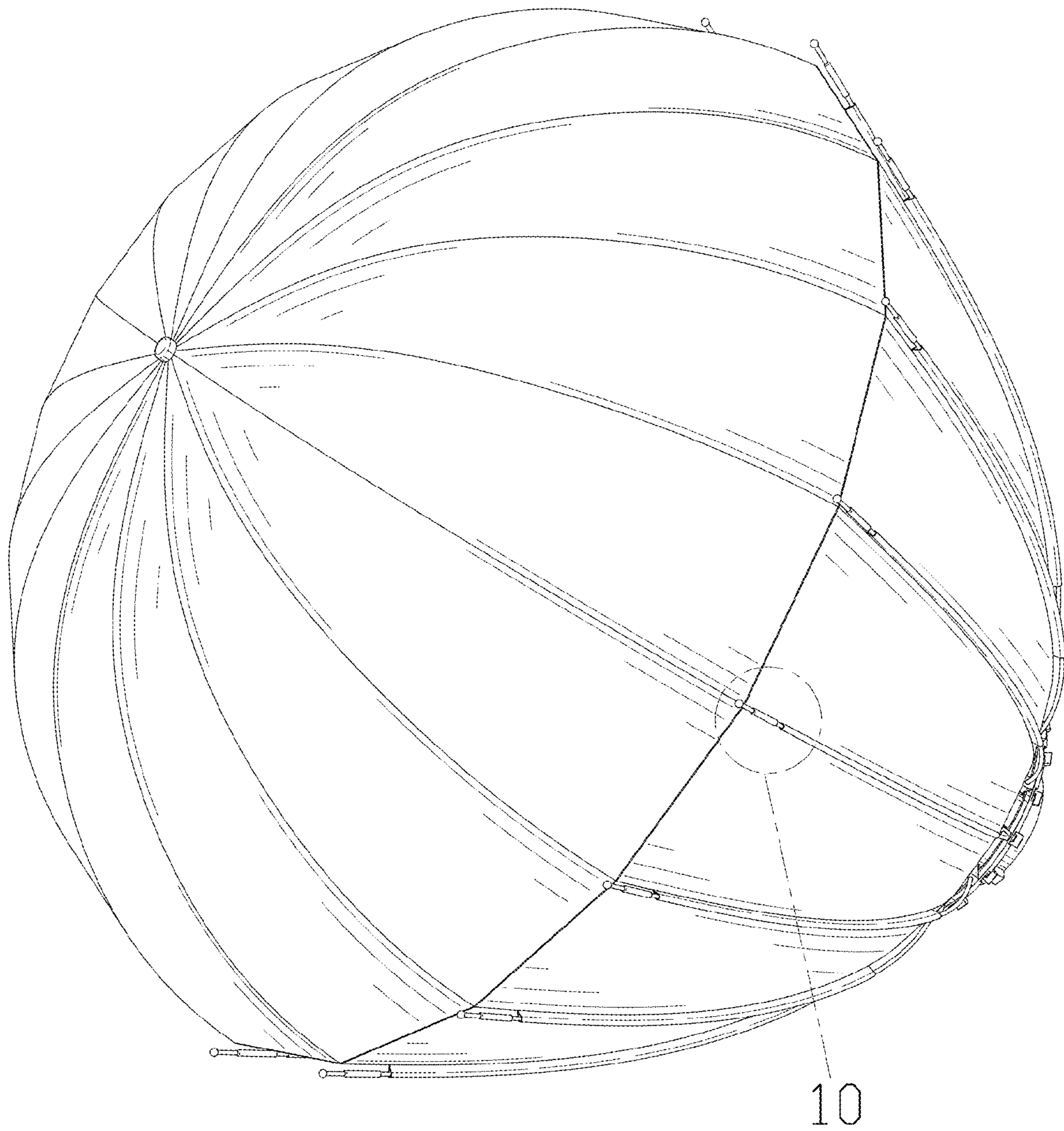


FIG. 1

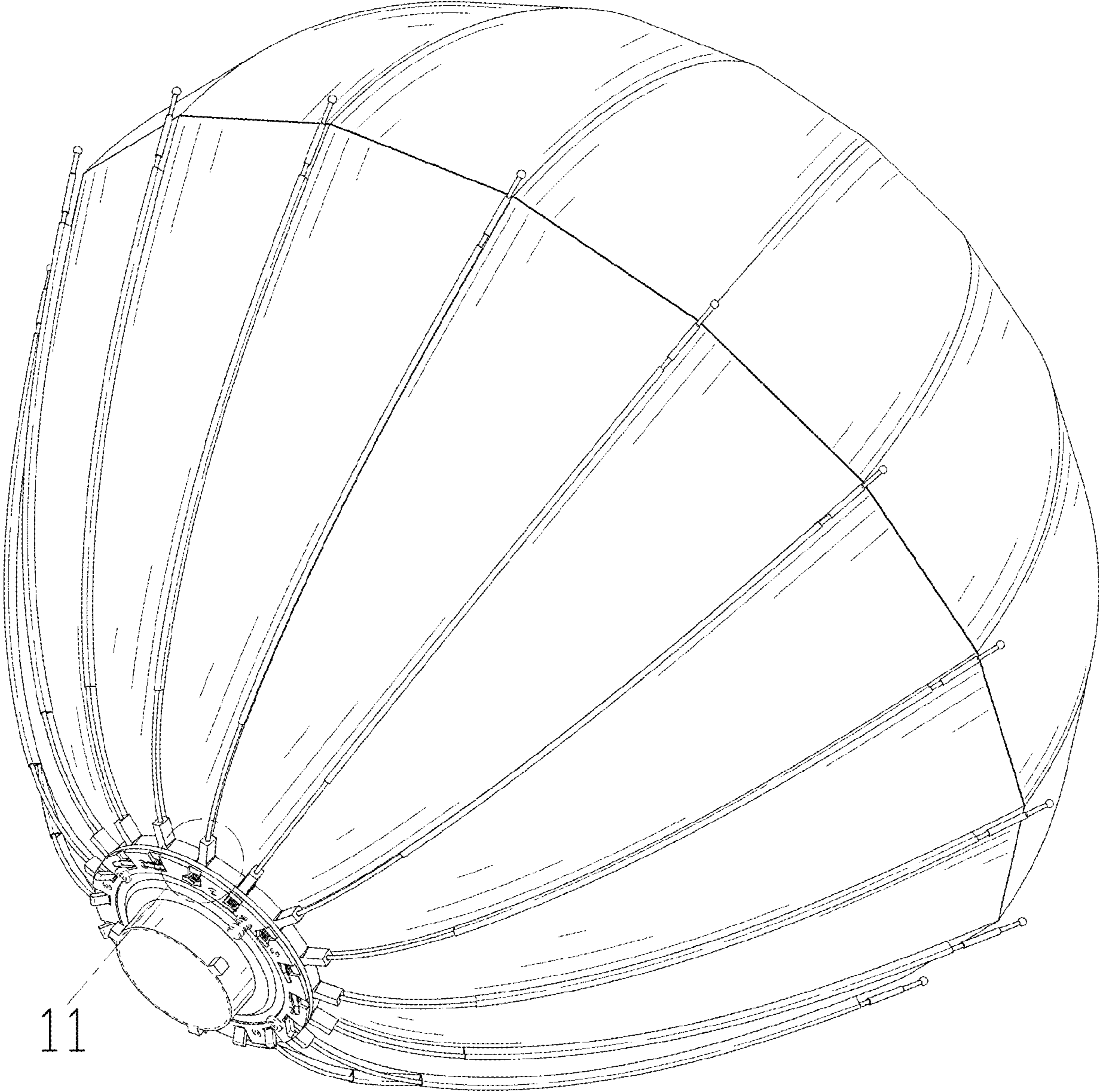


FIG. 2

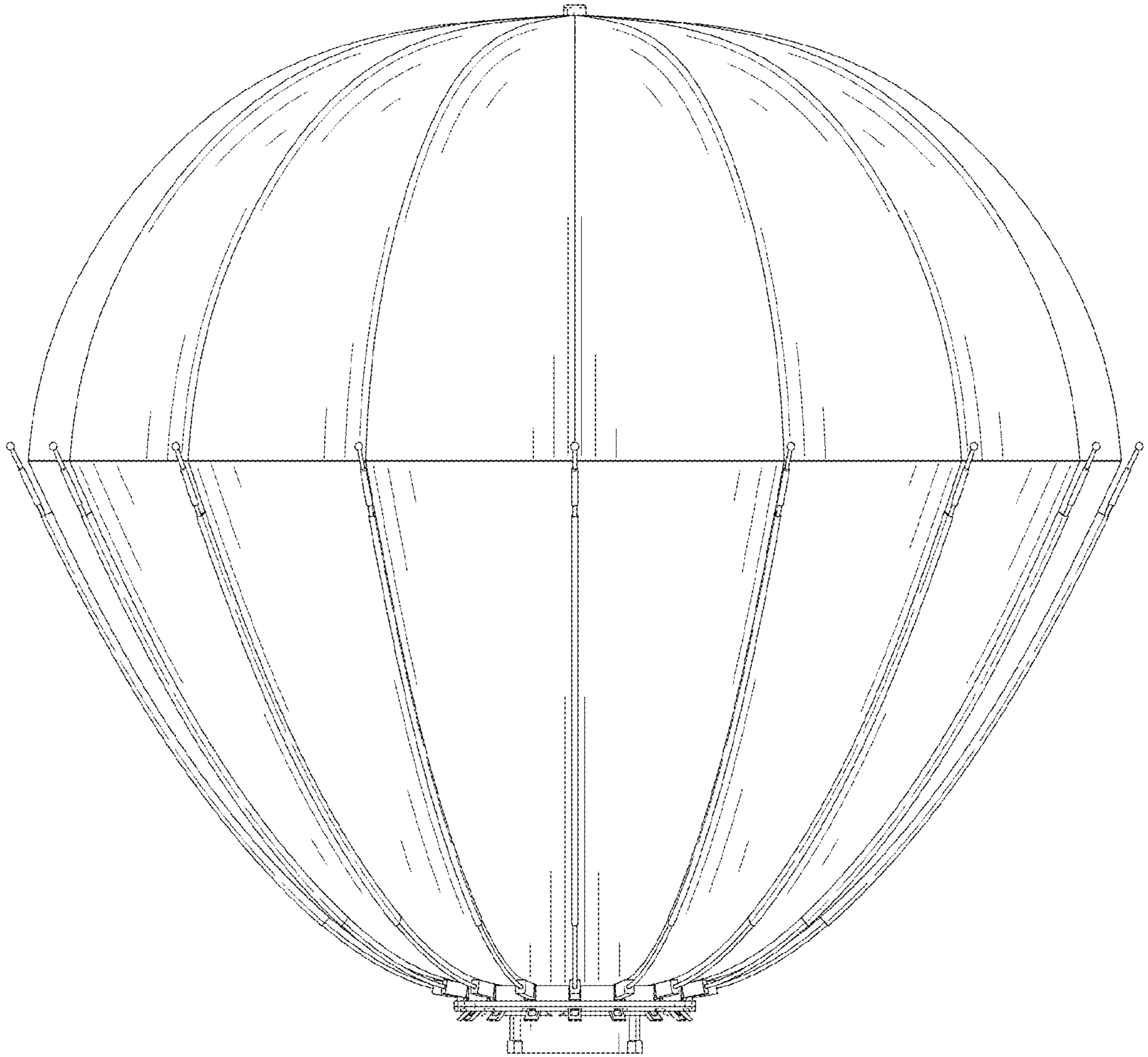


FIG. 3

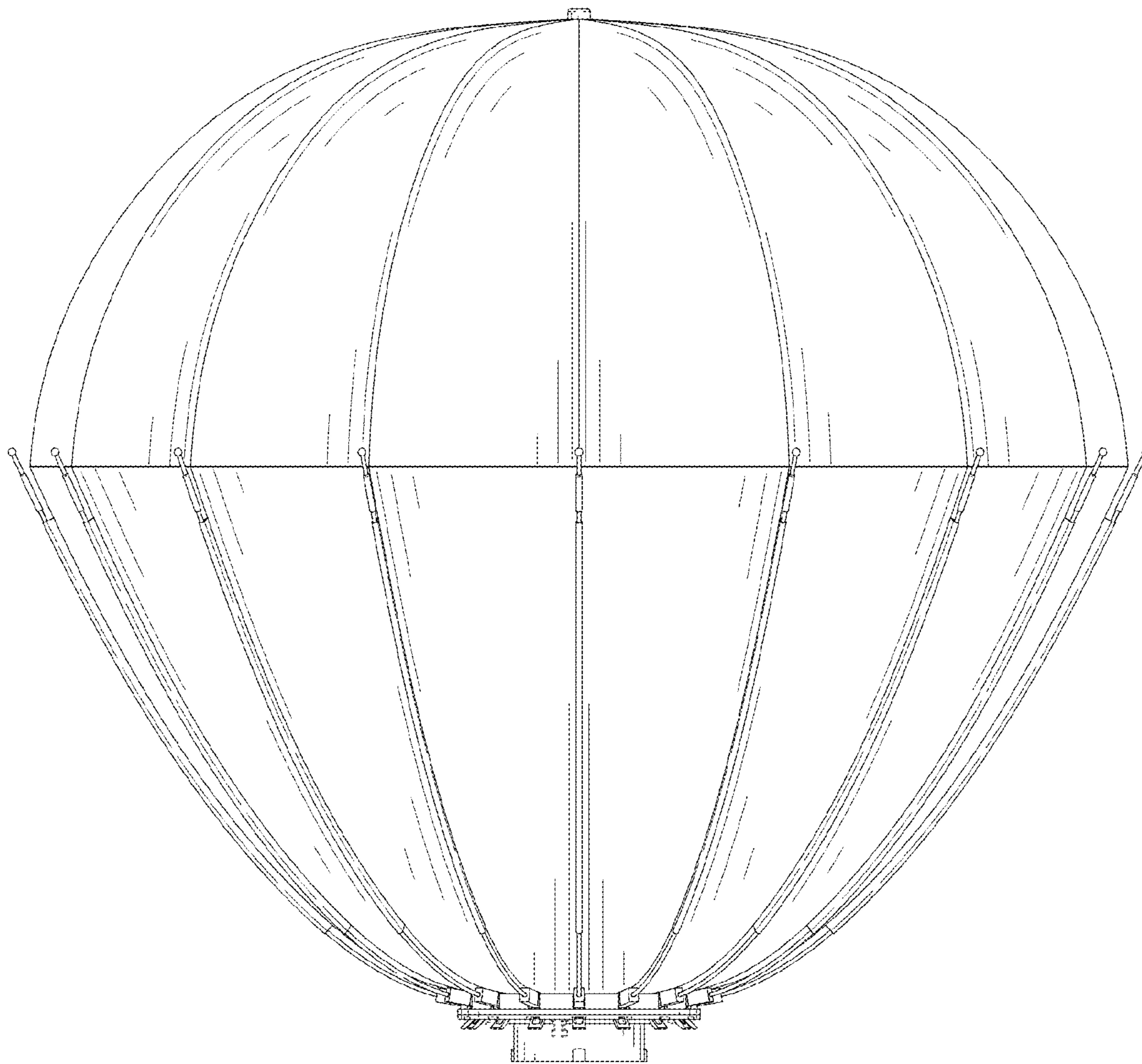


FIG. 4

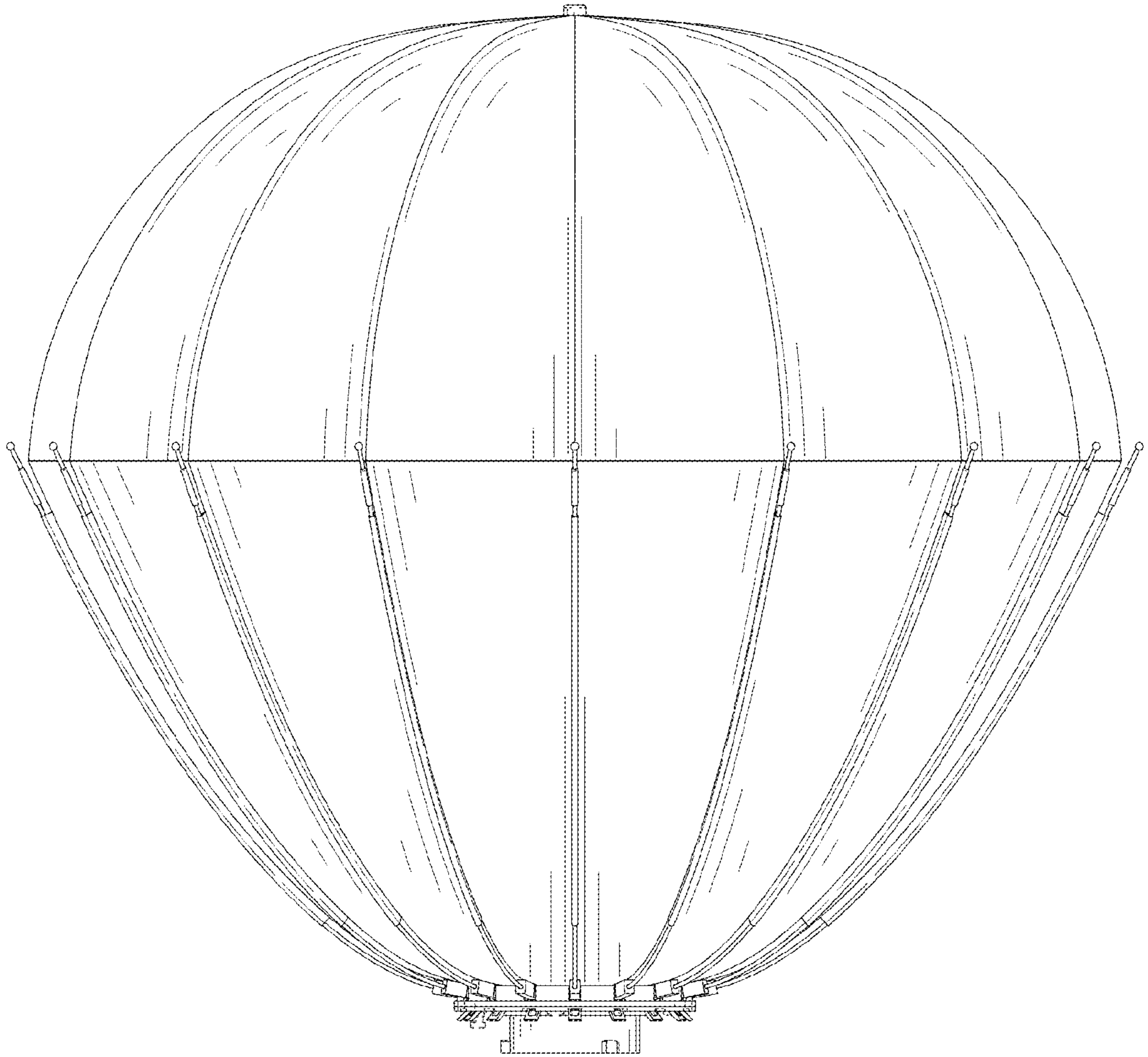


FIG. 5

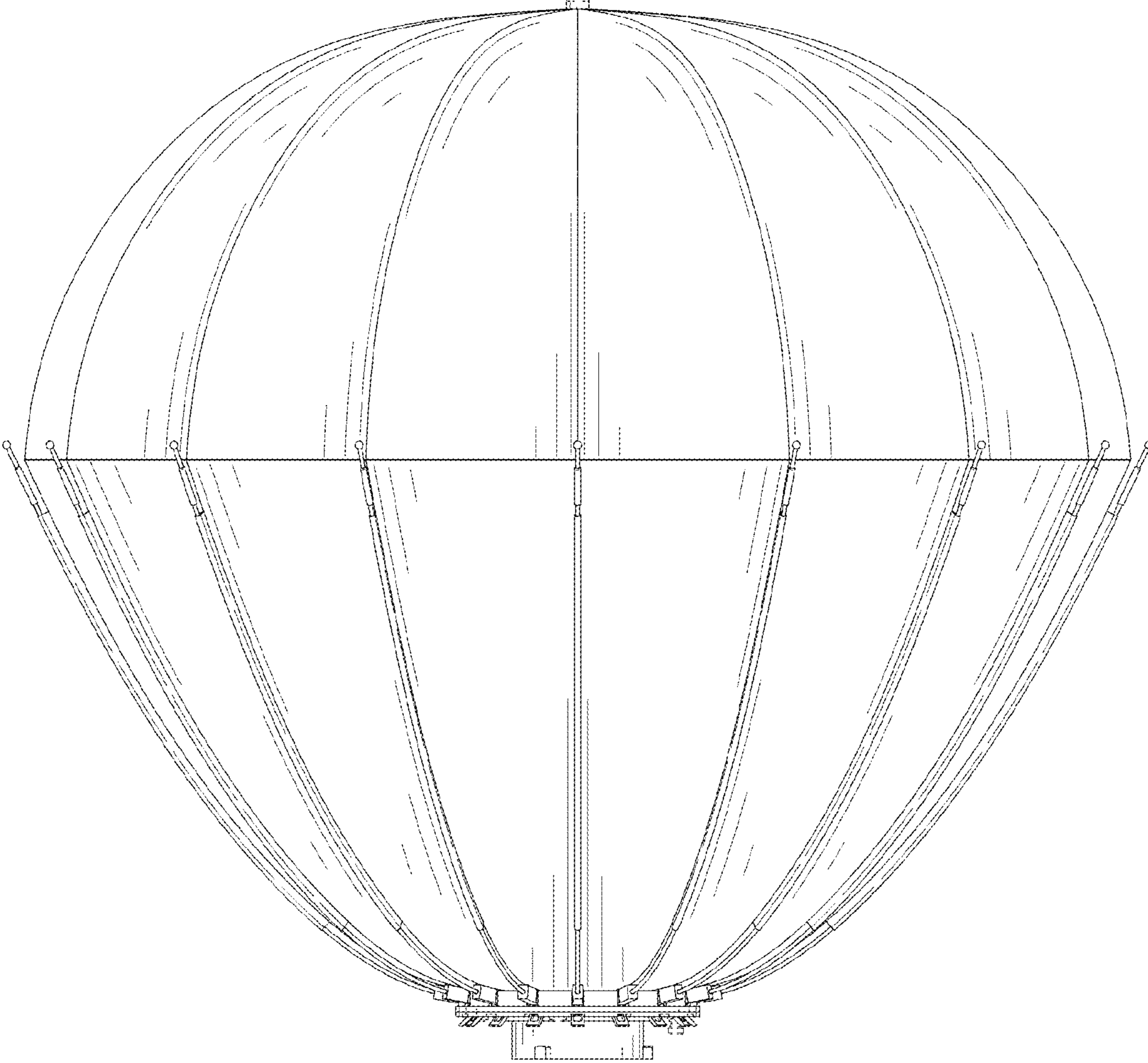


FIG. 6

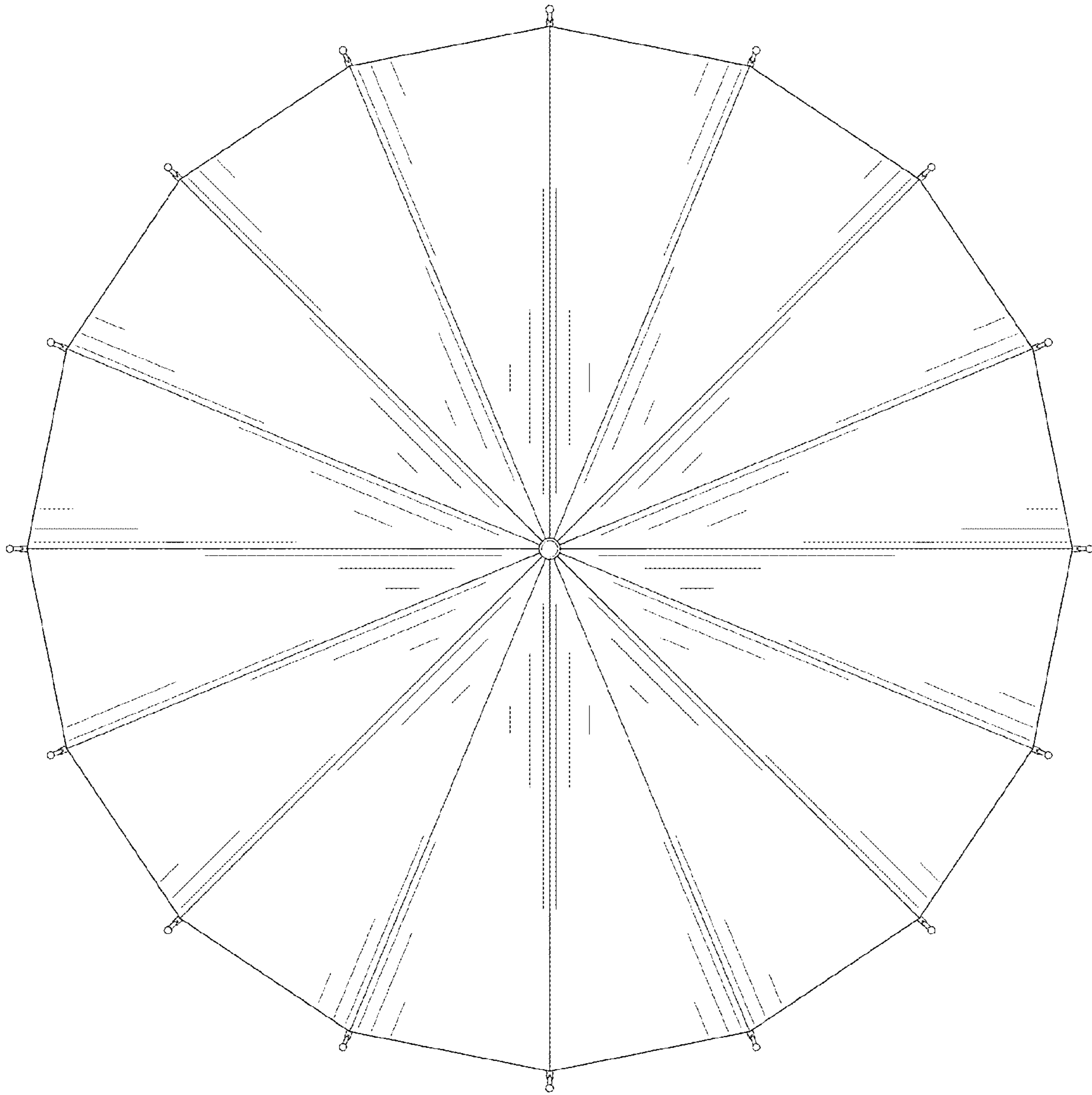


FIG. 7



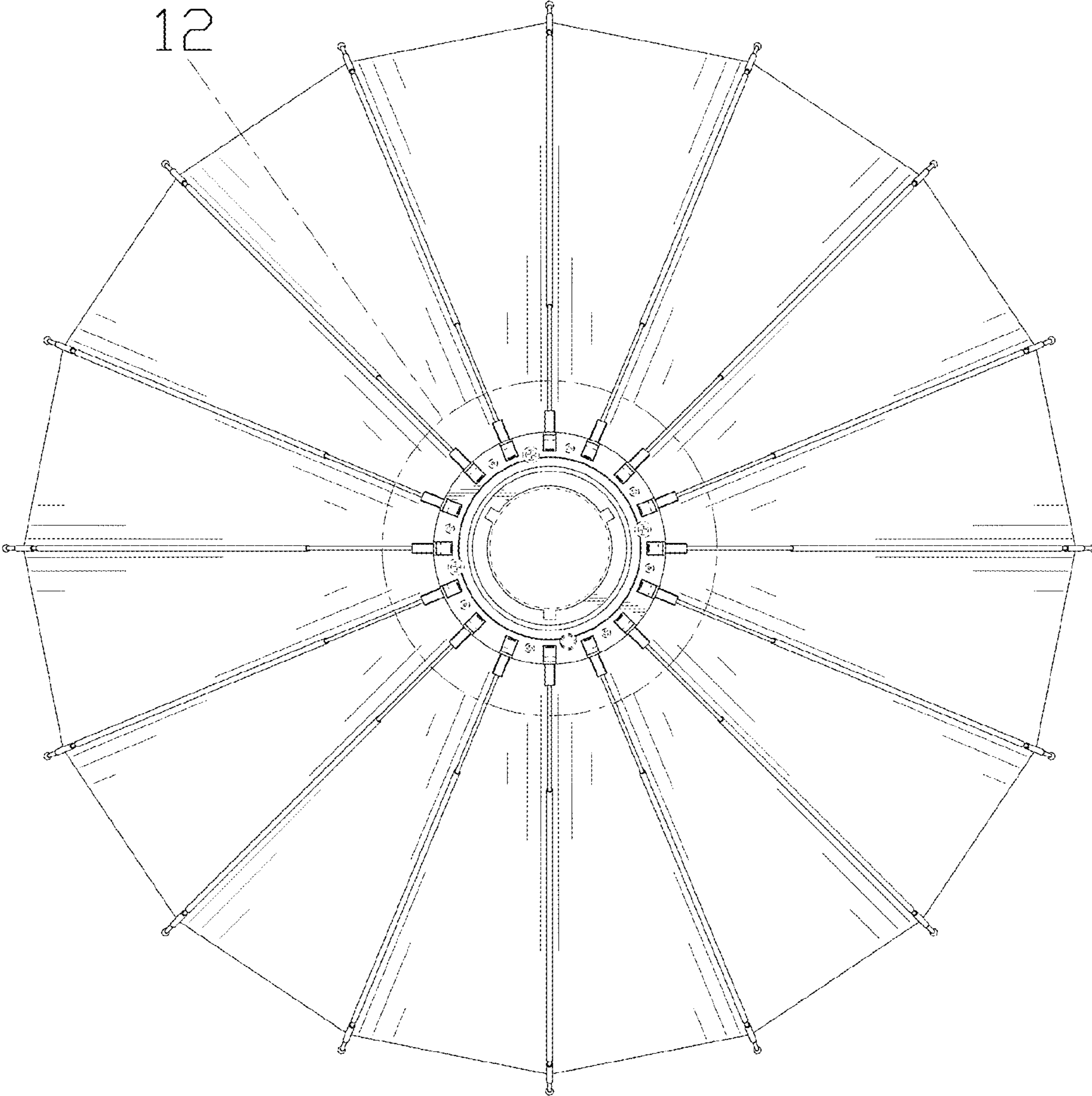


FIG. 8

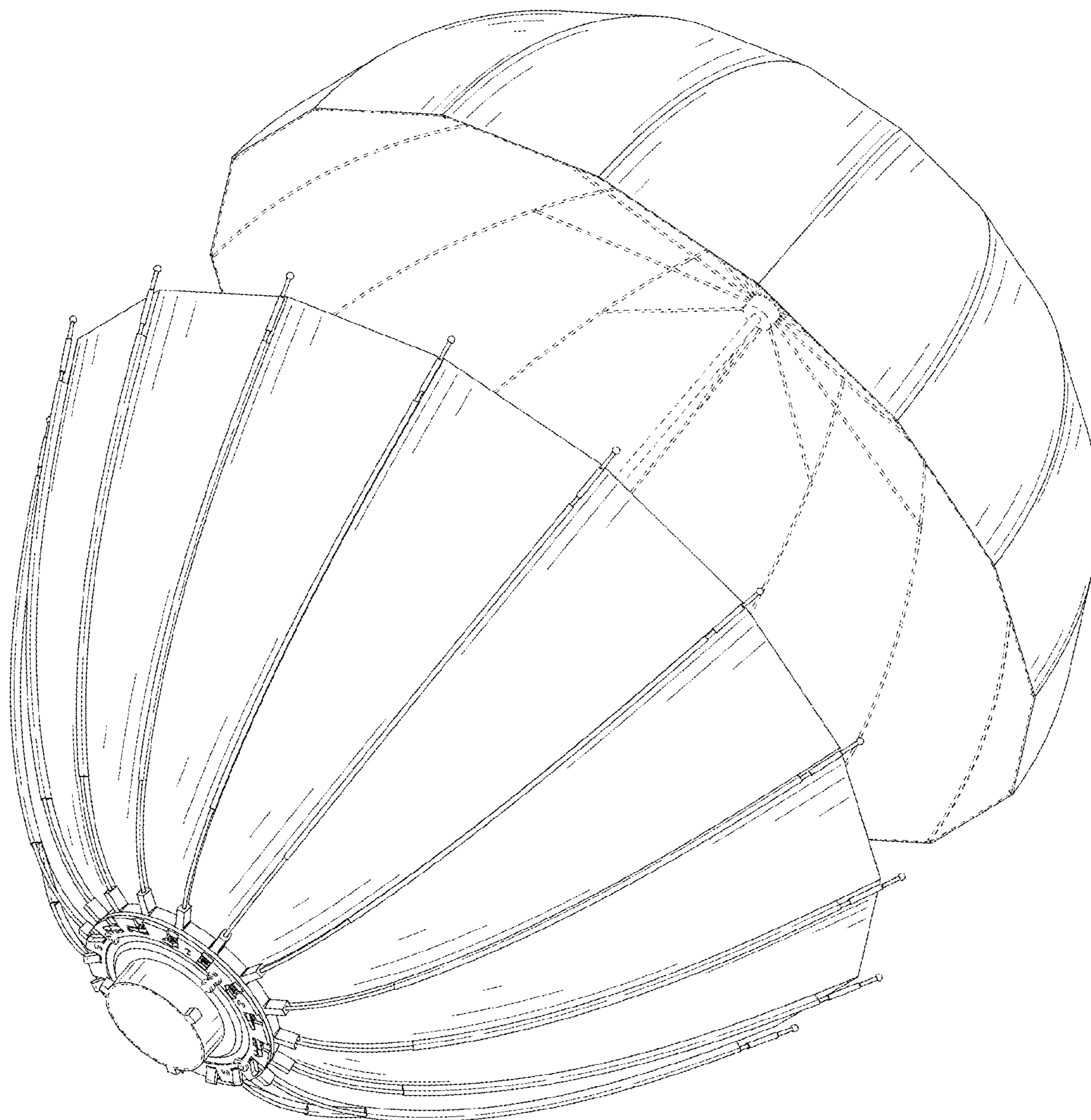


FIG. 9

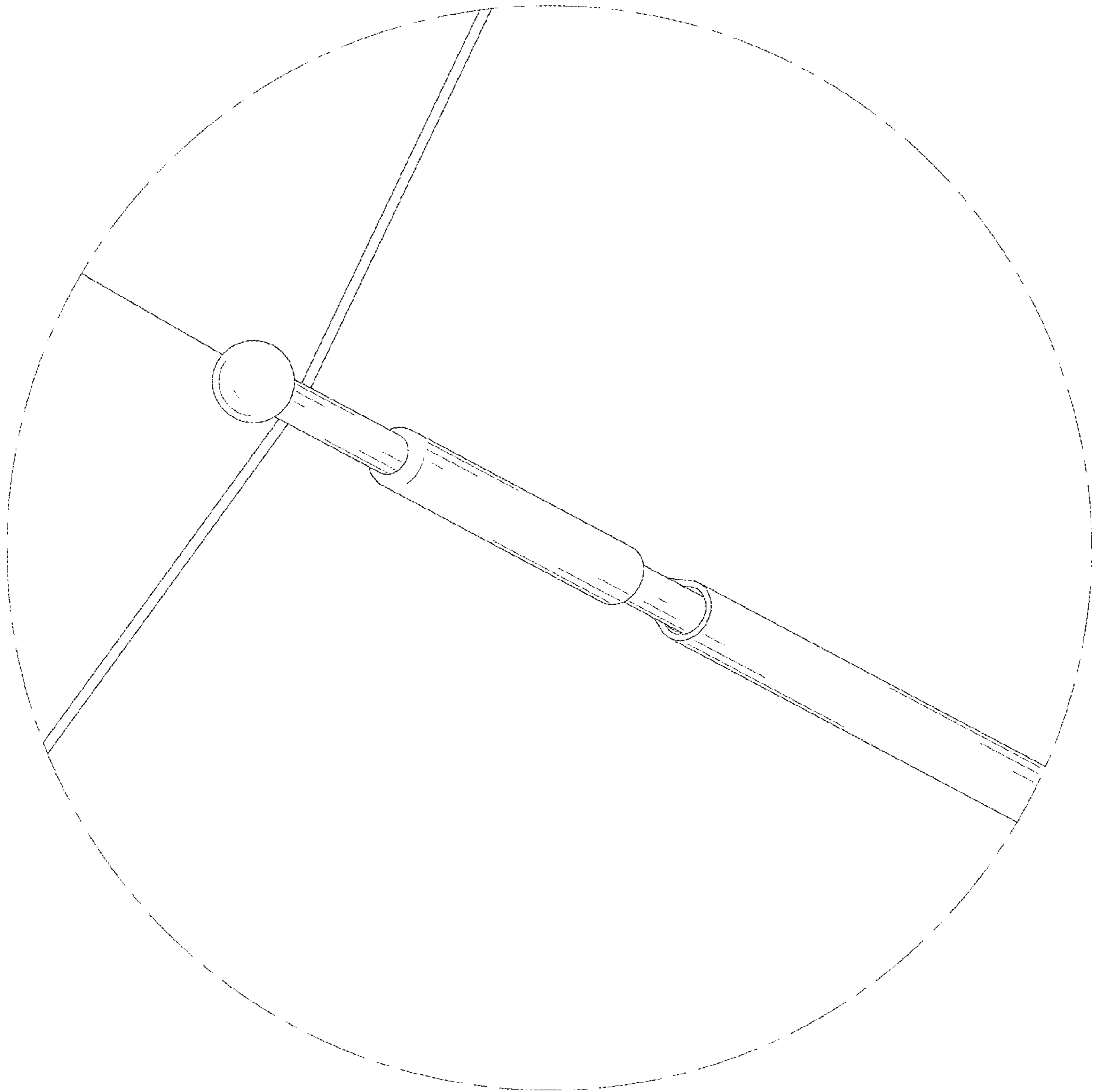


FIG. 10

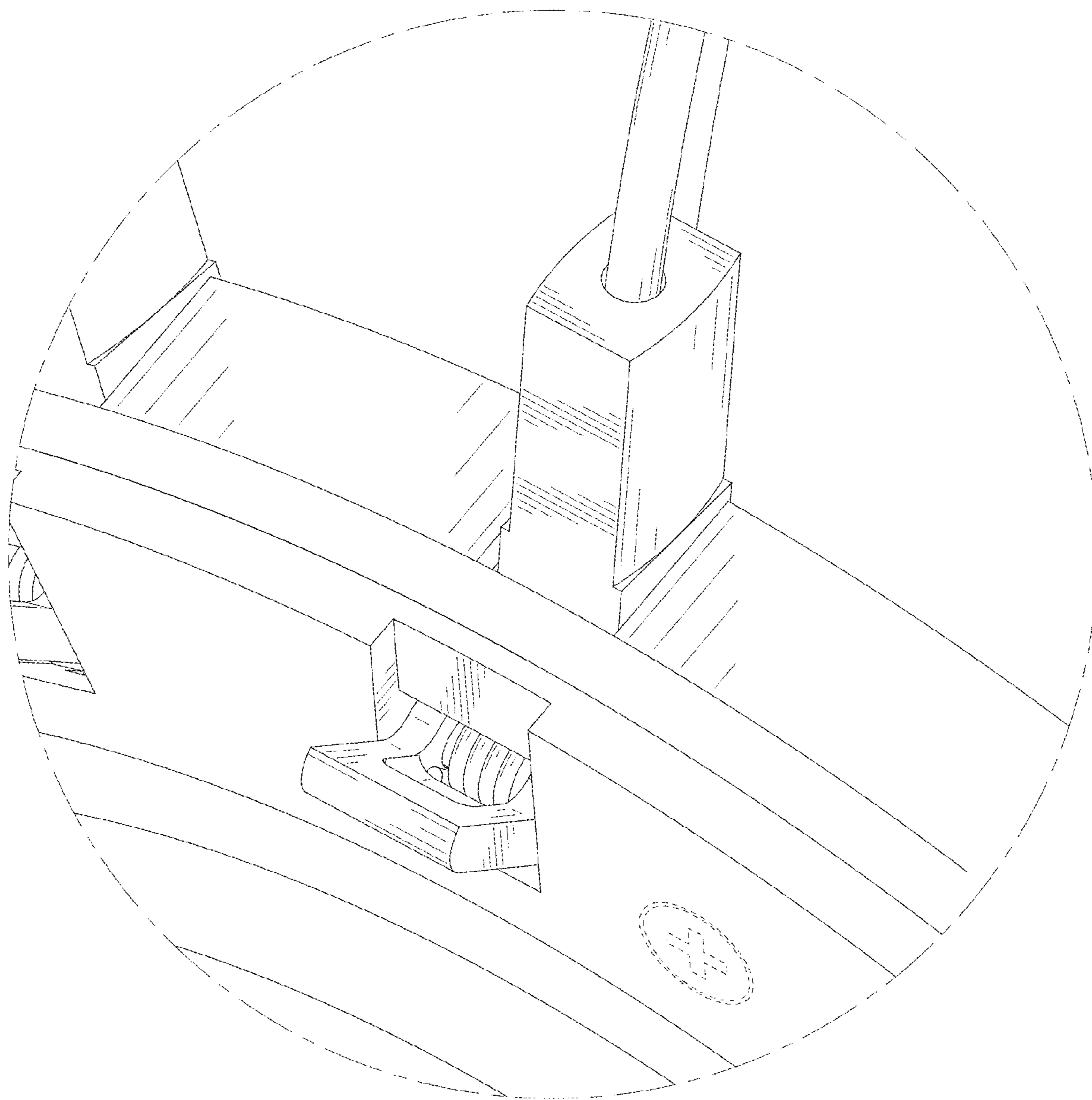


FIG. 11

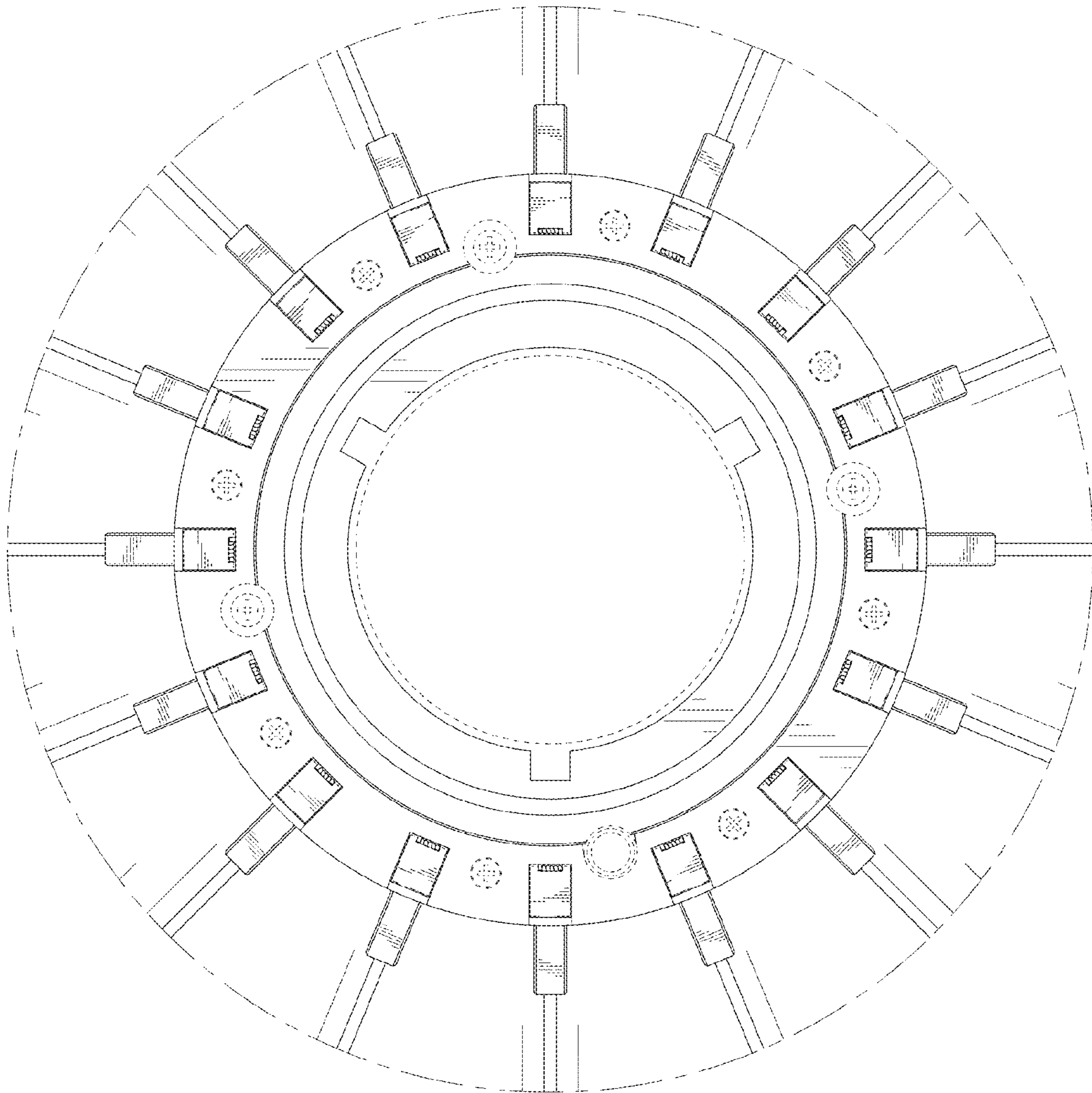


FIG. 12