



US00D981639S

(12) **United States Design Patent** (10) **Patent No.:** **US D981,639 S**
Zhang (45) **Date of Patent:** **** Mar. 21, 2023**

(54) **LAMP**

FOREIGN PATENT DOCUMENTS

(71) Applicant: **Changzhou Jin Tuo Trading Co., Ltd.**, Jiangsu (CN)

CN 306733398 * 4/2021
CN 306986932 * 12/2021

(72) Inventor: **Hairong Zhang**, Jiangsu (CN)

OTHER PUBLICATIONS

(73) Assignee: **Changzhou Jin Tuo Trading Co., Ltd.**, Jiangsu (CN)

“EppieBasic Led Desk Lamp Architect” reference by EppieBasic on Amazon.com, date first available Aug. 13, 2021 [online], site visited Aug. 19, 2022, available from internet URL: <https://www.amazon.com/Eppiebasic-Architect-Dimmable-Overhead-Workbench/dp/B09CL2KHMB> (Year: 2021).*

(**) Term: **15 Years**

(Continued)

(21) Appl. No.: **29/811,173**

Primary Examiner — Richard Kearney

(22) Filed: **Oct. 12, 2021**

Assistant Examiner — Liv C Anderson

(51) **LOC (14) Cl.** **26-05**

(74) *Attorney, Agent, or Firm* — ScienBiziP, P.C.

(52) **U.S. Cl.**
USPC **D26/107**

(57) **CLAIM**

The ornamental design for a lamp, as shown and described.

(58) **Field of Classification Search**
USPC D26/24, 37, 43, 60–63, 64, 65, 93, 102,
D26/106–107

DESCRIPTION

CPC F21K 9/00; F21K 9/20; F21L 4/00; F21L 4/005; F21L 4/06; F21S 9/00; F21S 9/02; F21V 21/042; F21V 21/08; F21V 21/088

FIG. 1 is a front, right and top perspective view of a lamp, showing my design.

FIG. 2 is a rear, left and bottom perspective view thereof.

FIG. 3 is a front elevation view thereof.

FIG. 4 is a rear elevation view thereof.

FIG. 5 is a left side elevation view thereof.

FIG. 6 is a right side elevation view thereof.

FIG. 7 is a top plan view thereof.

FIG. 8 is a bottom plan view thereof.

FIG. 9 is a partial enlarged view of an area labeled 9 in FIG. 1 comprising a wire joint; and,

FIG. 10 is a partial enlarged view of an area labeled 10 in FIG. 2 comprising an end of a lamp cap.

The broken lines shown in the drawings are included for the purpose of illustrating portions of the lamp that form no part of the claimed design. The dash-dot-dash broken lines encircling the enlarged views in FIGS. 1-2 and 9-10 are for annotative purposes only and form no part of the claim thereof.

See application file for complete search history.

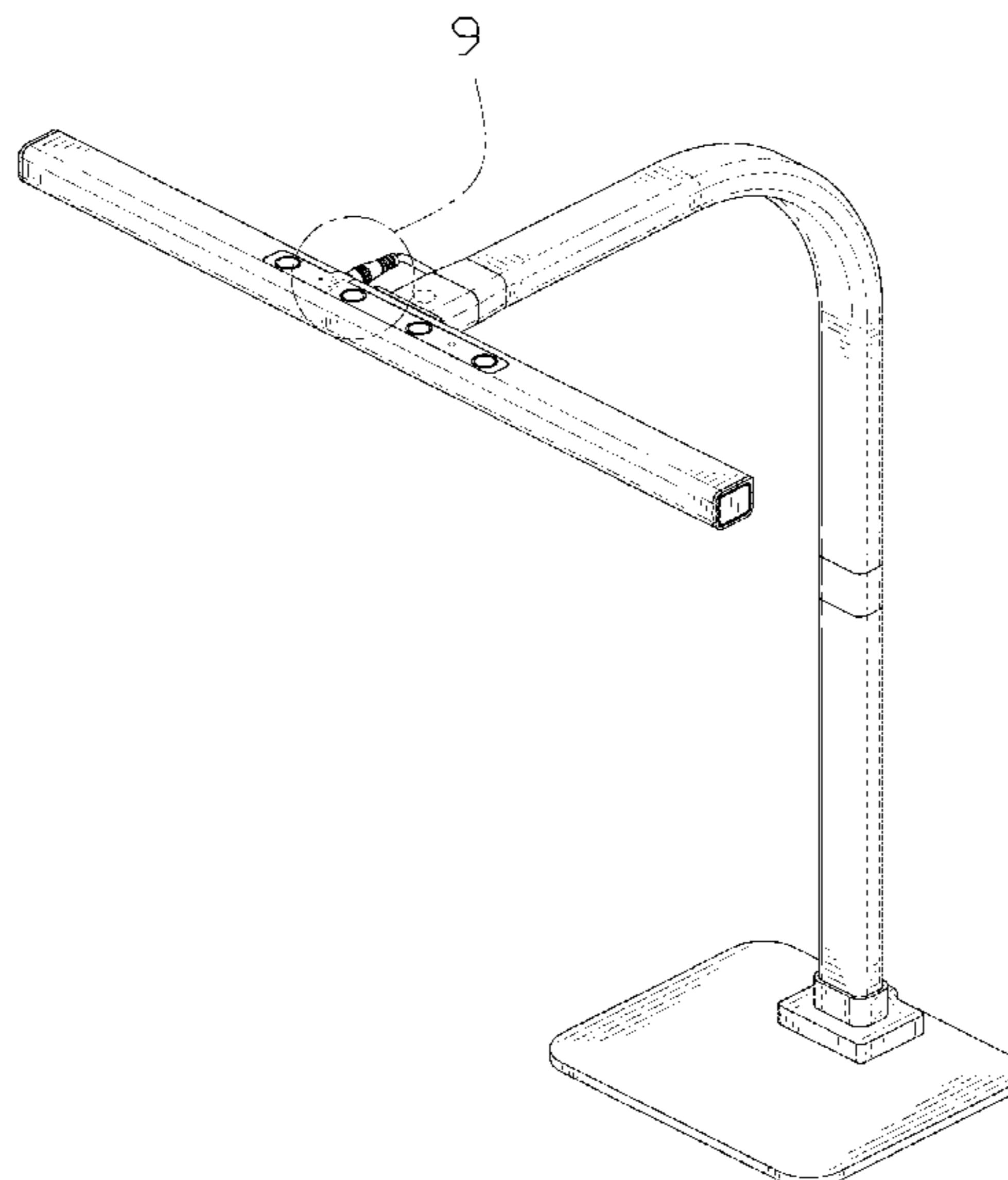
(56) **References Cited**

U.S. PATENT DOCUMENTS

D341,673 S	*	11/1993	Yuen	D26/65
D522,681 S	*	6/2006	Chen	D26/65
D731,699 S	*	6/2015	Fishman	D26/106
D811,645 S	*	2/2018	Kim	D26/107
D823,529 S	*	7/2018	Pernthaler	D26/109
D843,636 S	*	3/2019	Tong	D26/107
D883,551 S	*	5/2020	Waldmann	D26/65
D893,791 S	*	8/2020	Lin	D26/63
D921,950 S	*	6/2021	Ye	D26/60
D950,120 S	*	4/2022	Pang	D26/65
D953,591 S	*	5/2022	Pang	D26/109

(Continued)

1 Claim, 10 Drawing Sheets



(56)

References Cited

U.S. PATENT DOCUMENTS

D959,719 S * 8/2022 Zhao D26/65
D965,837 S * 10/2022 Xu D26/63
D967,483 S * 10/2022 Wu D26/62

OTHER PUBLICATIONS

“EppieBasic Led Desk Lamp 24W” reference by EppieBasic on Amazon.com, date first available Aug. 22, 2020 [online], site visited Aug. 19, 2022, available from internet URL: <https://www.amazon.com/Eppiebasic-Architect-Drafting-Brightness-Workbench/dp/B087BVYVV1?th=1> (Year: 2020).*

“LED Desk Lamp KableRika” reference by KableRika on Amazon.com, date first available Aug. 13, 2021 [online], site visited Aug. 19, 2022, available from internet URL: <https://www.amazon.com/KableRika-Architect-Dimmable-Auto-Dimming-Workbench/dp/B09CKRDJ3B> (Year: 2021).*

* cited by examiner

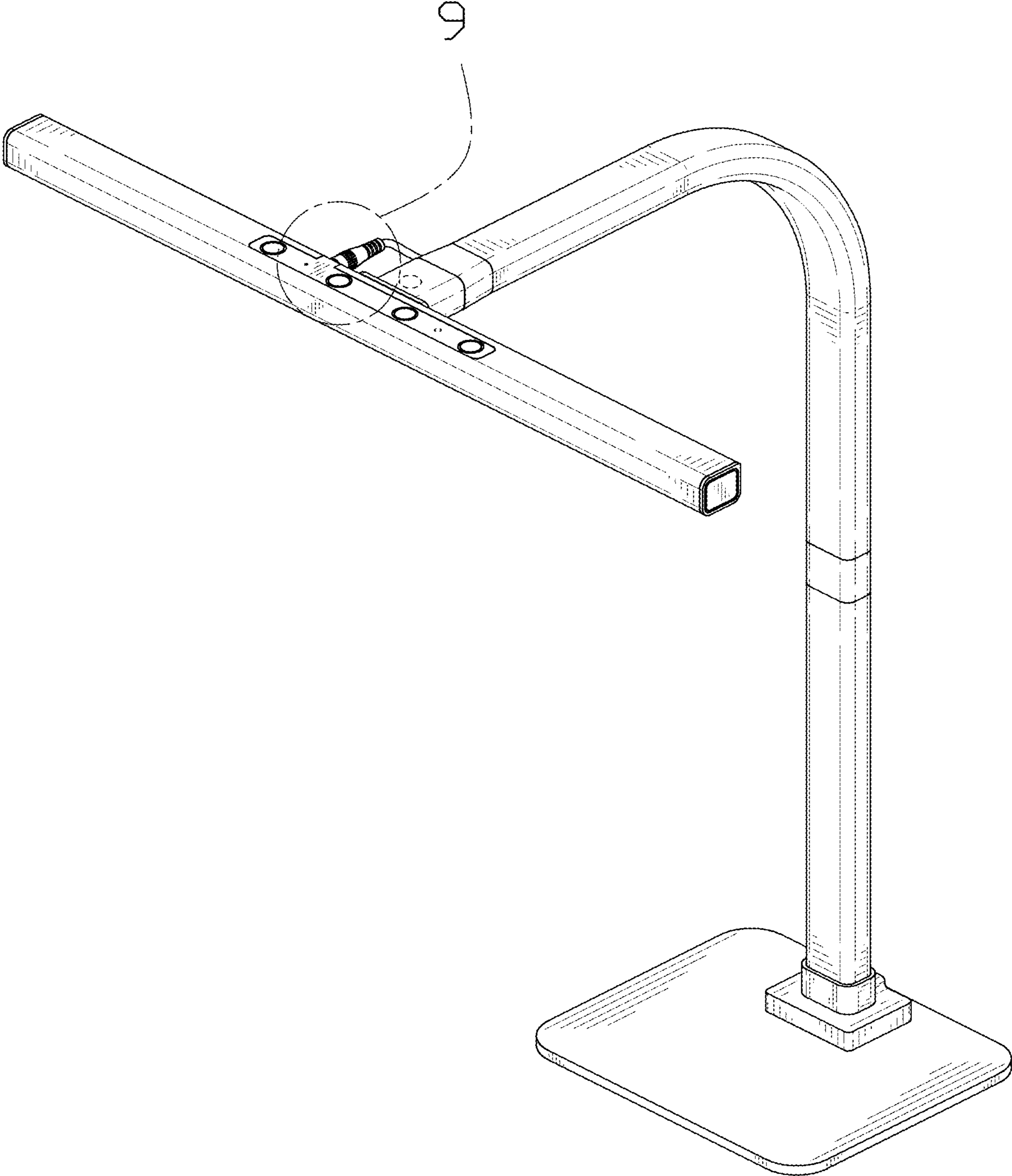


FIG. 1

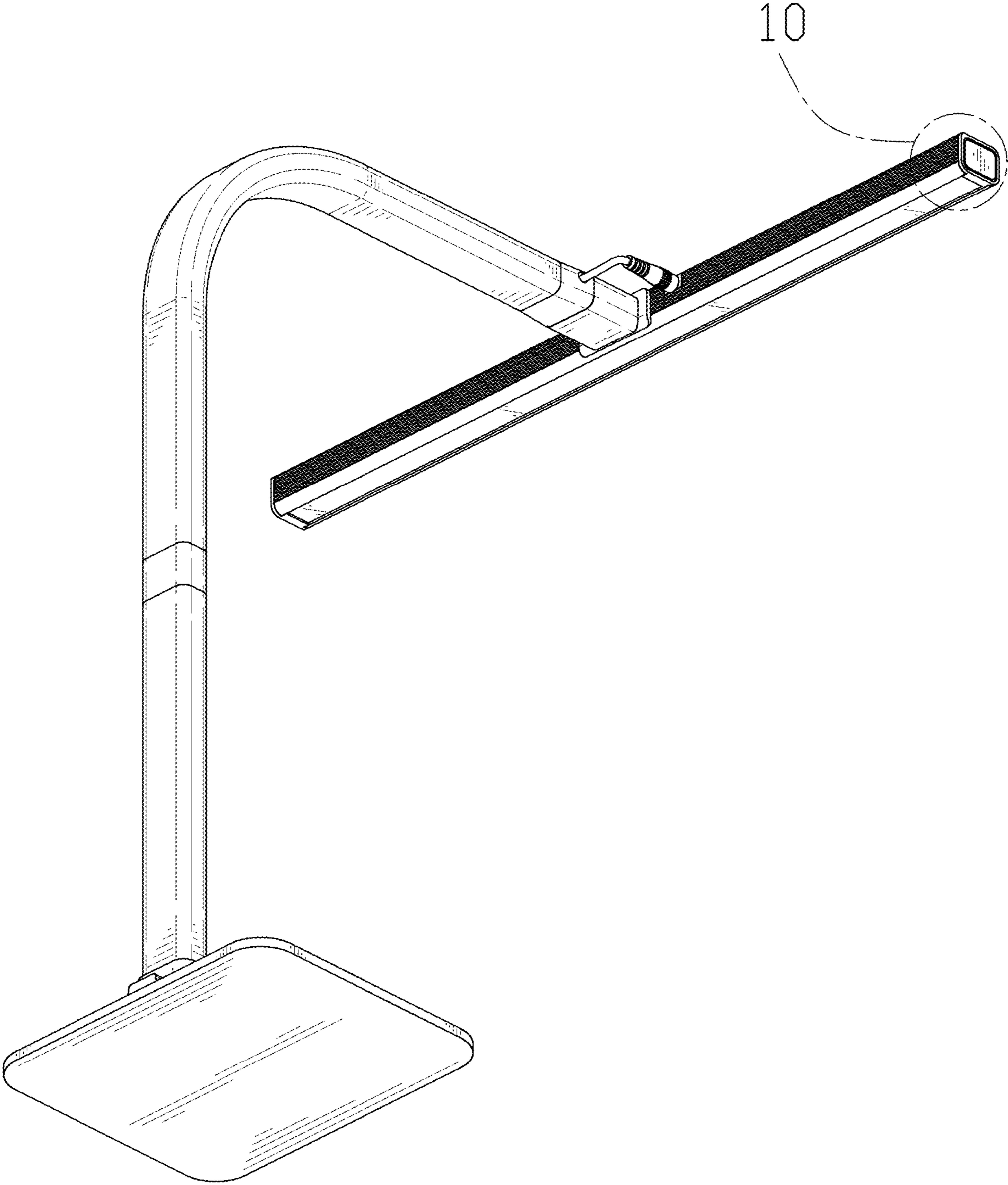


FIG. 2

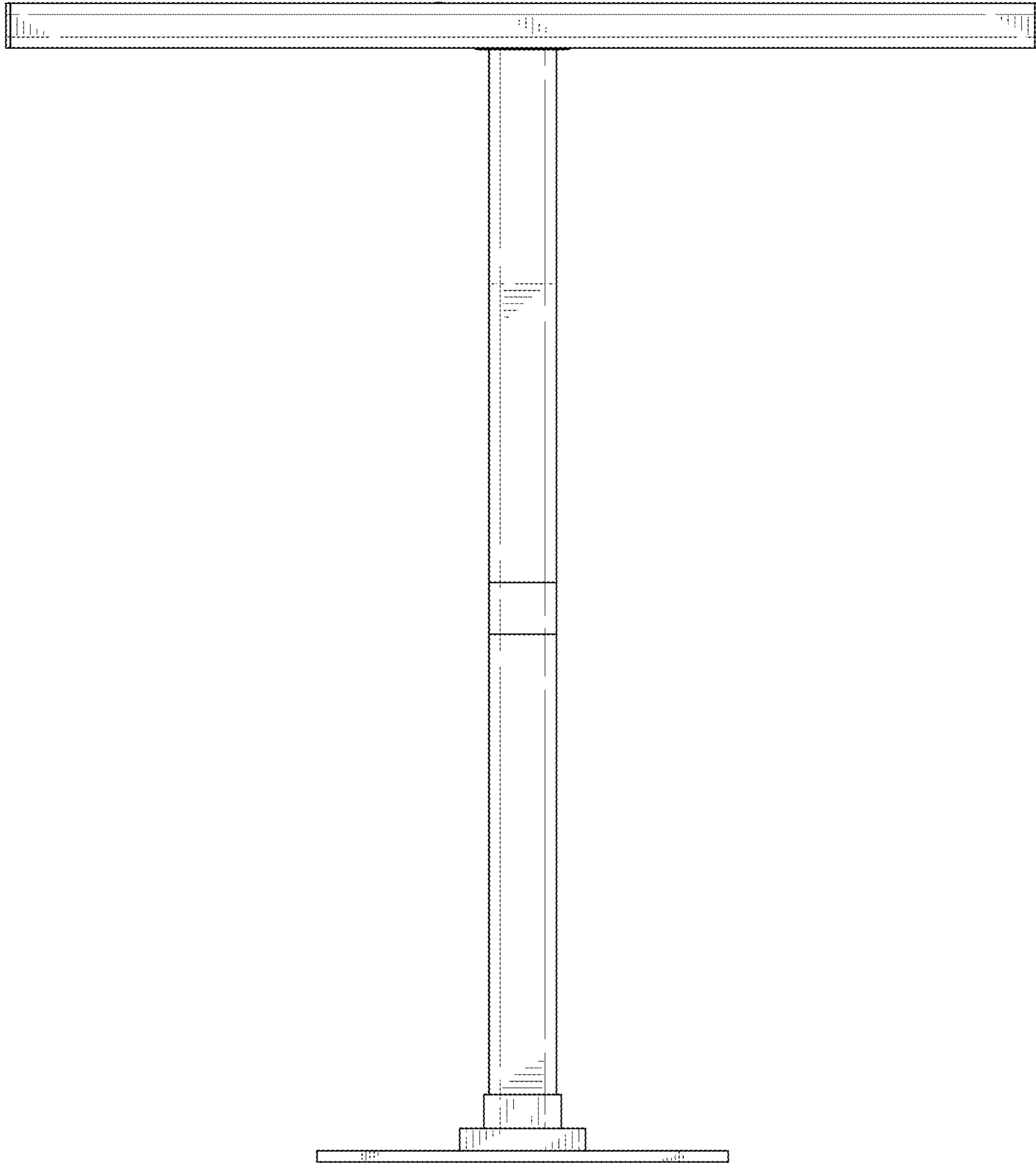


FIG. 3

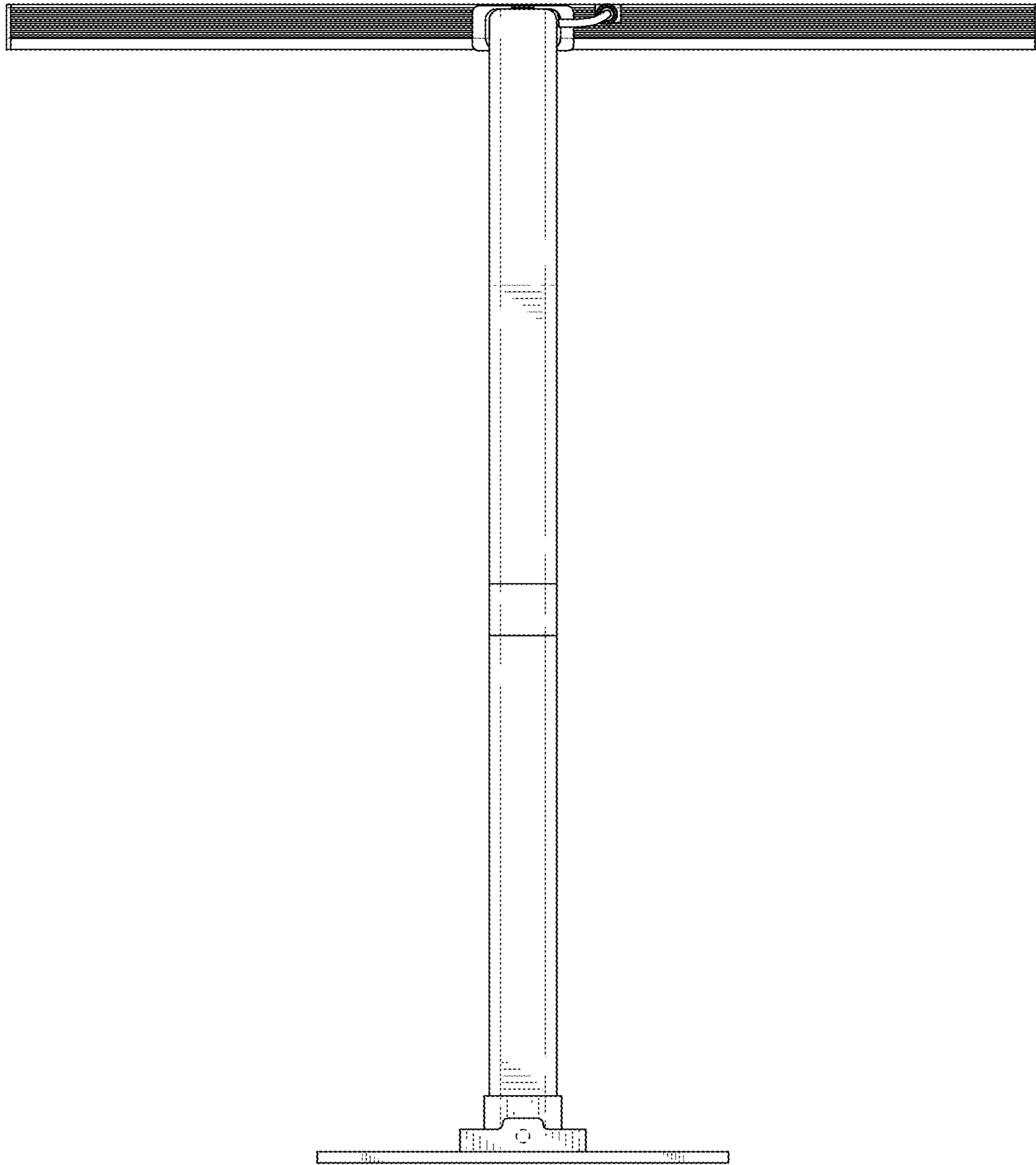


FIG. 4

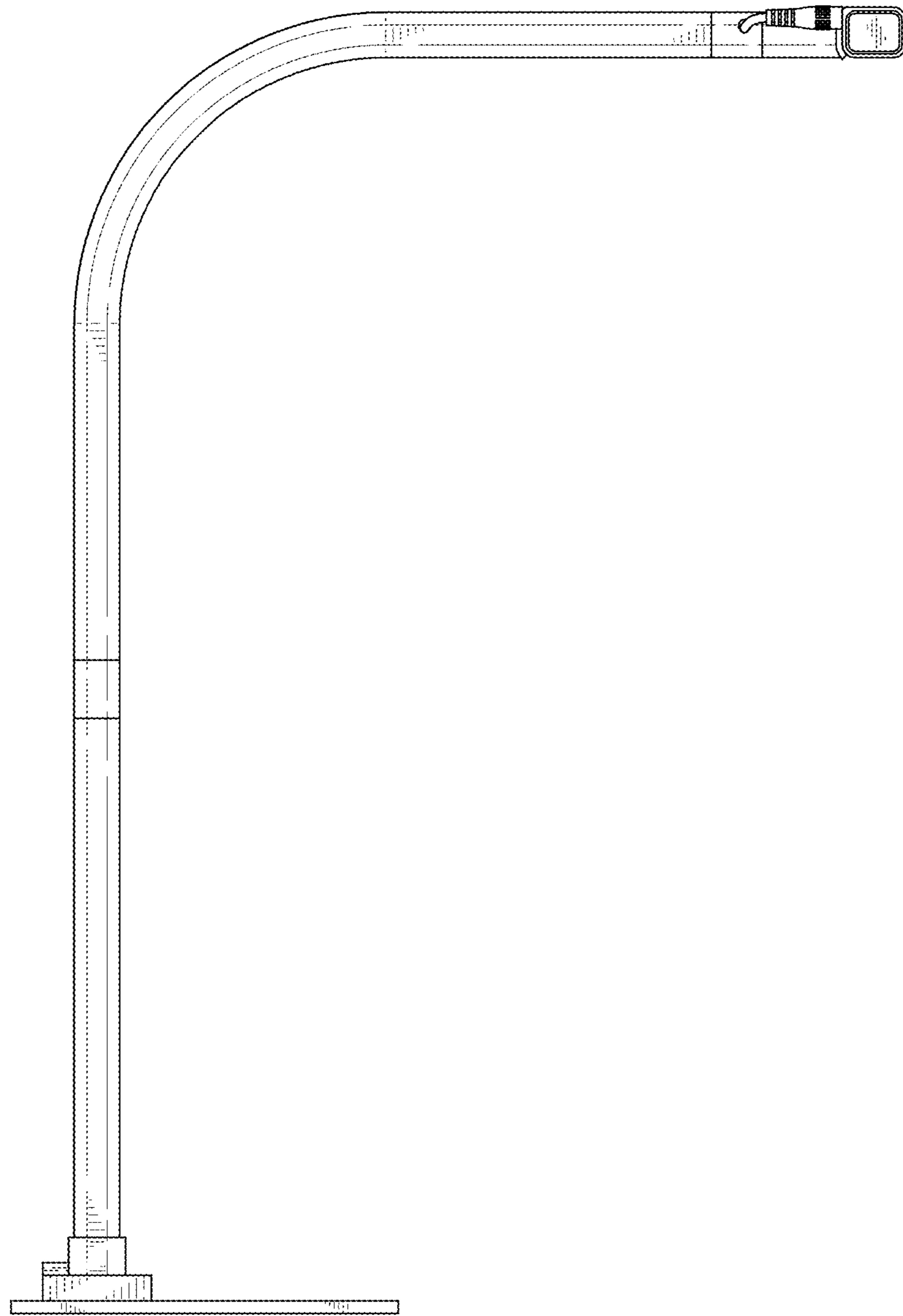


FIG. 5

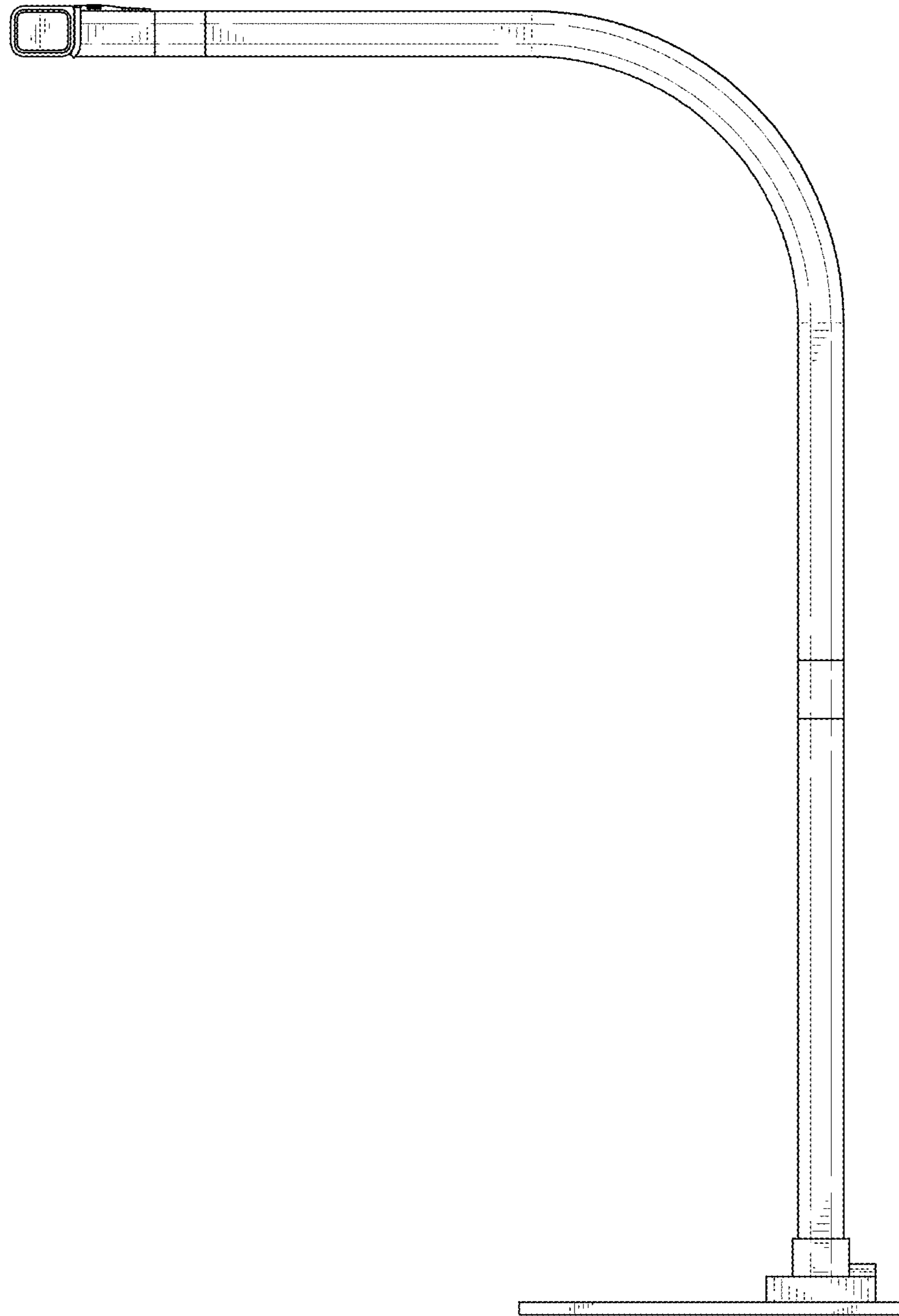


FIG. 6

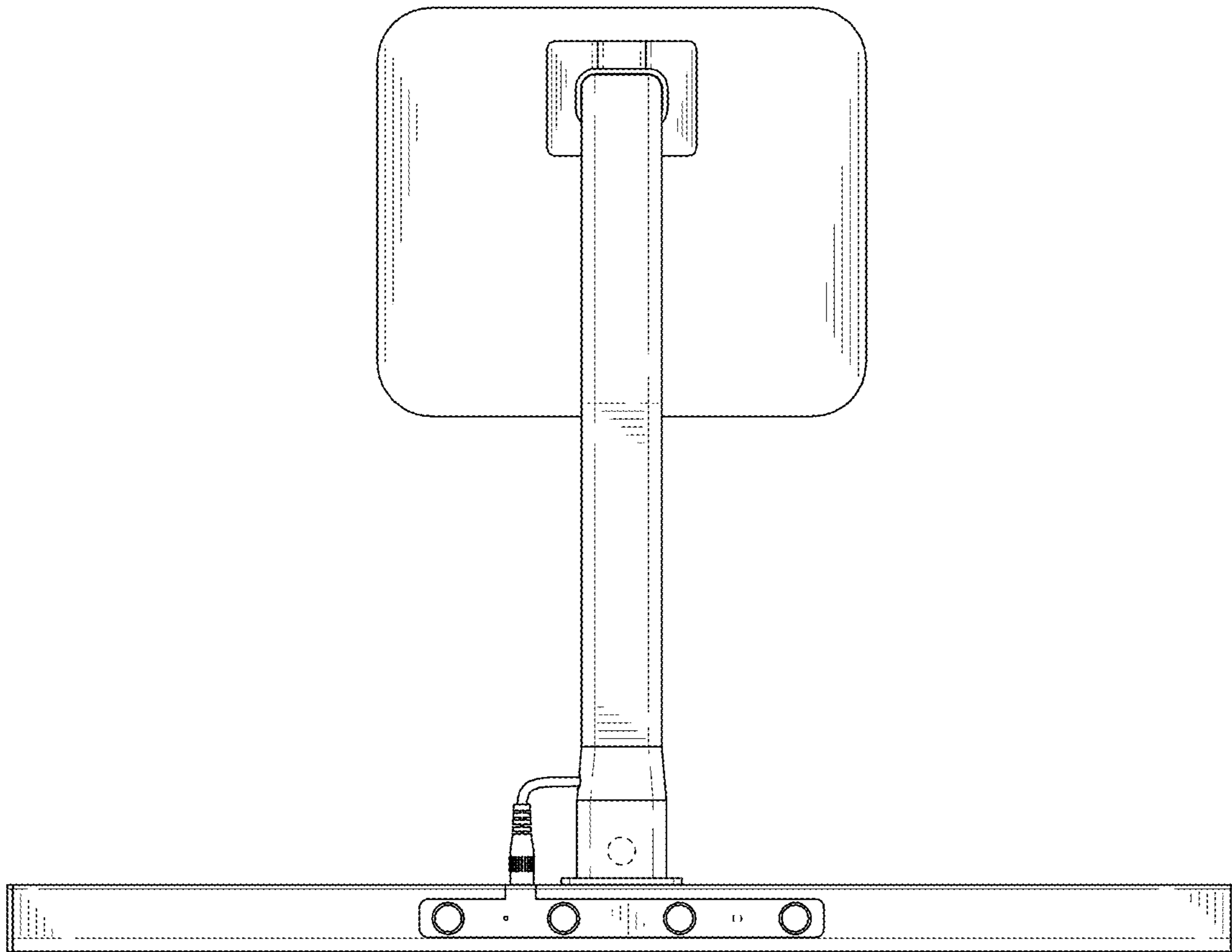


FIG. 7

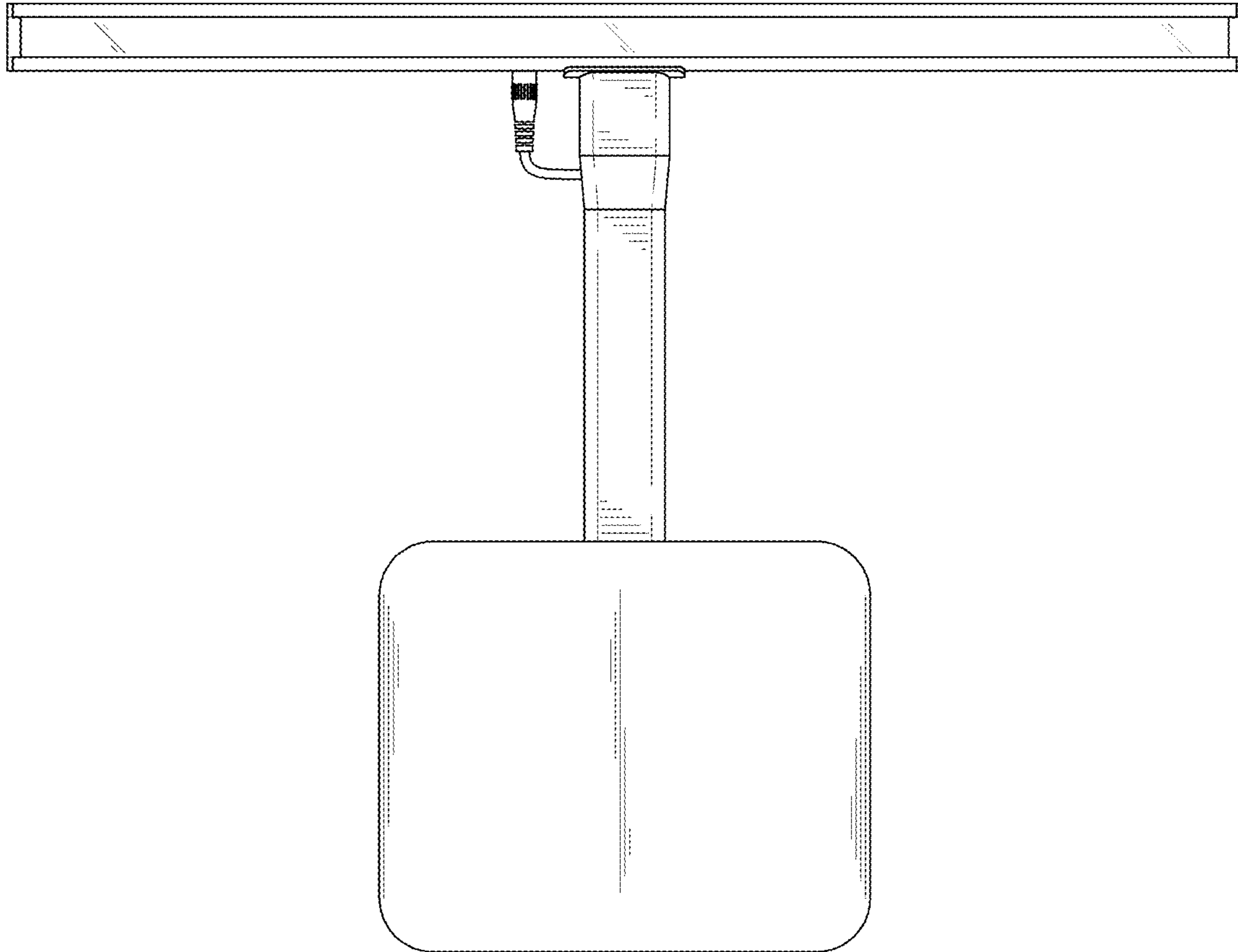


FIG. 8

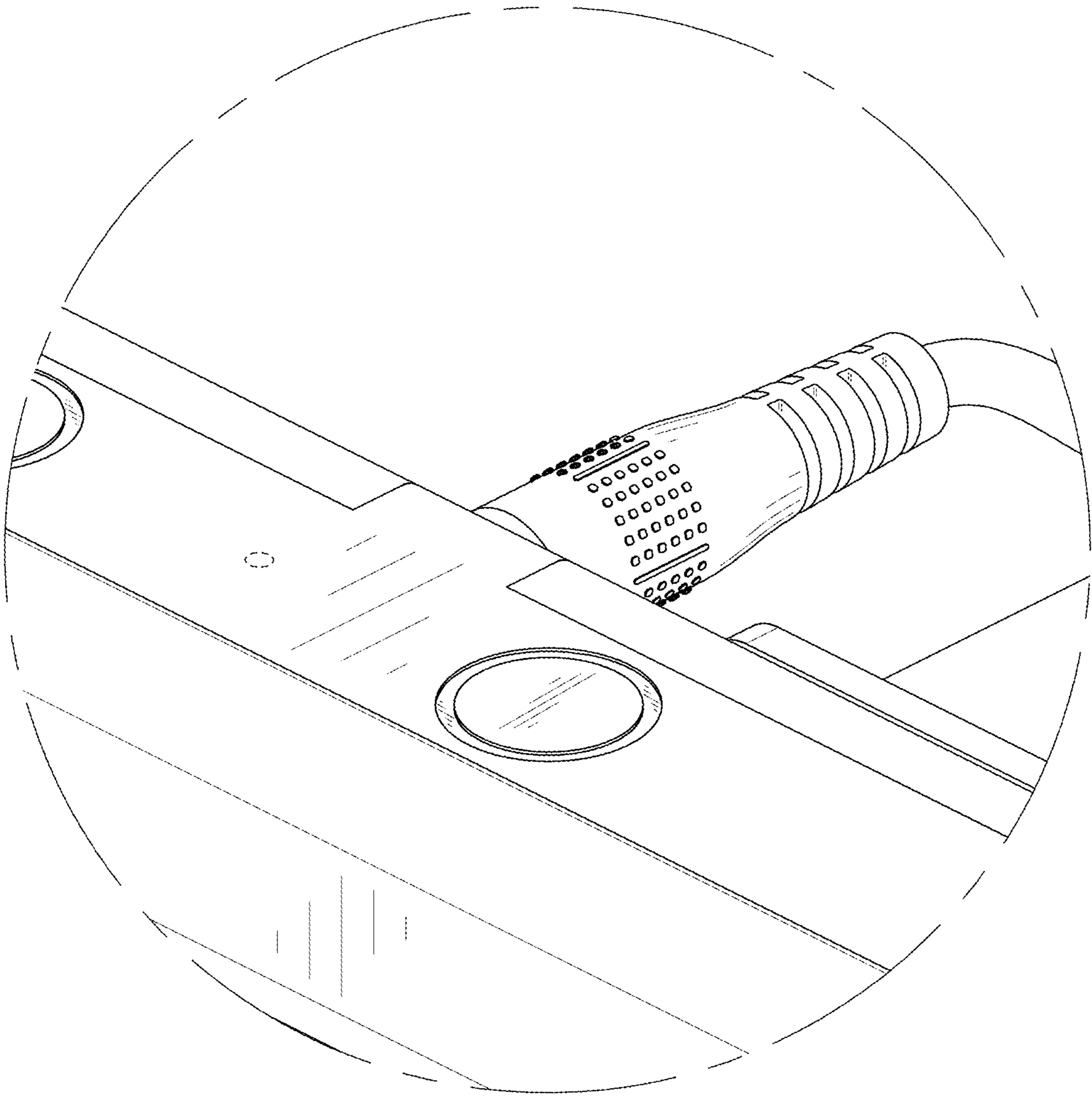


FIG. 9

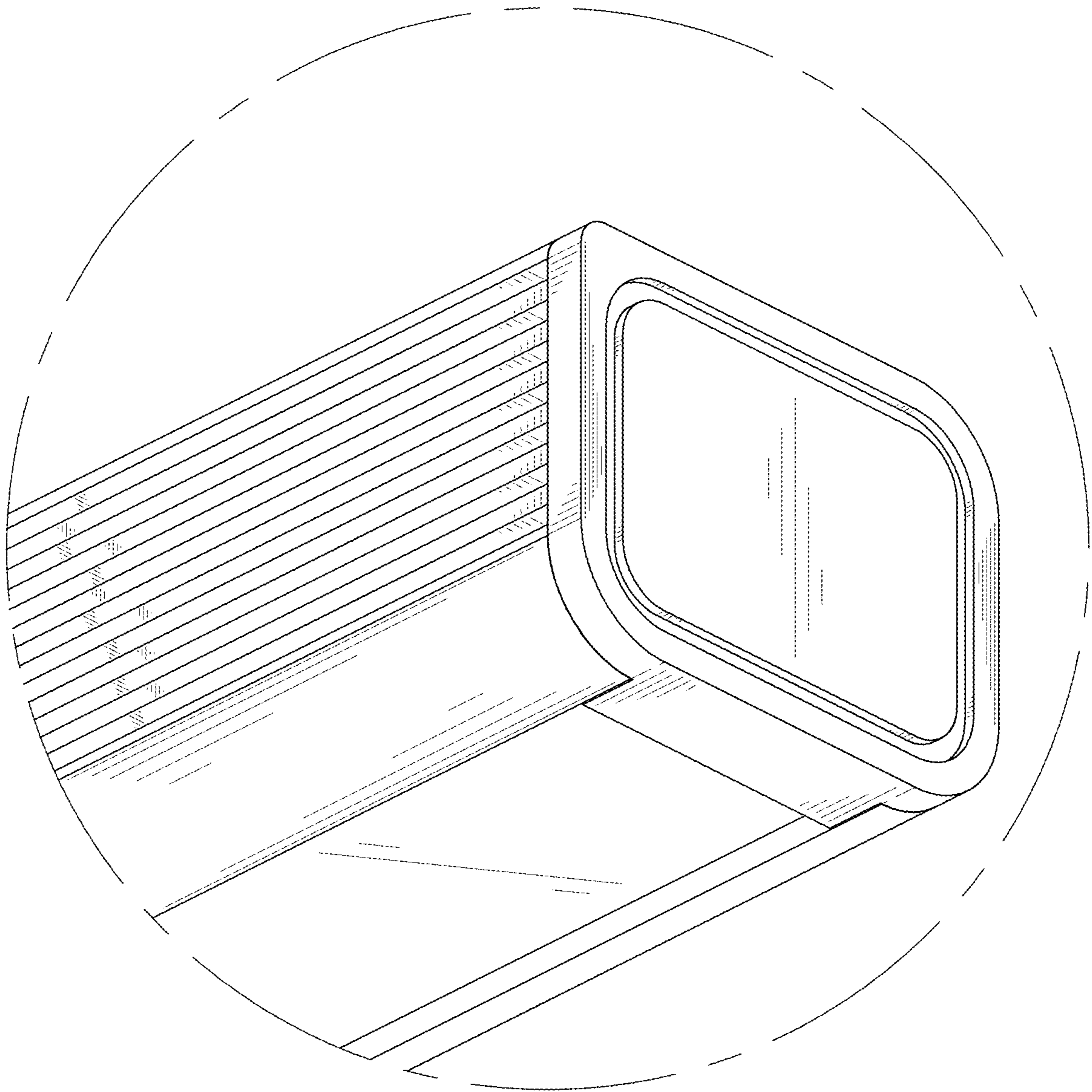


FIG. 10