



US00D981635S

(12) **United States Design Patent**
Li

(10) **Patent No.:** **US D981,635 S**
(45) **Date of Patent:** **** Mar. 21, 2023**

(54) **PROJECTION LAMP**

(71) Applicant: **Lonvis Technology (Shenzhen) Co., Ltd., Shenzhen (CN)**

(72) Inventor: **Xuequan Li, Shenzhen (CN)**

(**) Term: **15 Years**

(21) Appl. No.: **29/821,595**

(22) Filed: **Dec. 30, 2021**

(51) **LOC (14) Cl.** **26-03**

(52) **U.S. Cl.**
USPC **D26/94; D26/104**

(58) **Field of Classification Search**
USPC D26/1, 24, 37, 51, 61-67, 72, 80, 85, 92, D26/93, 102, 104-113, 118-120, 38, 40, D26/46, 50; D16/239, 244
CPC F21K 5/023; F21S 4/00; F21S 6/00; F21S 6/002; F21S 6/004; F21S 6/005; F21S 6/006; F21S 8/00; F21S 8/003; F21S 8/03; F21S 8/033; F21S 8/036; F21S 8/04; F21S 8/043; F21S 9/00; F21S 9/02; F21S 10/00; F21V 14/02; F21V 15/01; F21V 15/02; F21V 17/02; F21V 21/00; F21V 21/02; F21V 21/06; F21V 21/14; F21V 21/26; F21V 21/30; F21W 2121/00; F21W 2131/30

See application file for complete search history.

(56) **References Cited**

U.S. PATENT DOCUMENTS

D326,873 S *	6/1992	Chang	D12/325
D346,626 S *	5/1994	St. Lawrence	D21/443
D349,174 S *	7/1994	Wu	D26/106
D381,110 S *	7/1997	Wang	D26/110
D403,800 S *	1/1999	Chen	D26/104
D408,468 S *	4/1999	Saka	D21/451
D417,896 S *	12/1999	Eisner	D21/451
D586,937 S *	2/2009	Klein	D26/104
D586,938 S *	2/2009	Klein	D26/104

D624,132 S *	9/2010	Cheng	D21/453
D698,061 S *	1/2014	Burke	D26/67
D714,485 S *	9/2014	Johnson	D26/94

(Continued)

FOREIGN PATENT DOCUMENTS

CN	306874520 S	10/2021
EM	008813307-0003	12/2021

OTHER PUBLICATIONS

Amazon.com, Galazy Star Projector Starry Night Light, Sep. 29, 2022, <https://www.amazon.com/Projector-Control-Bedroom-Ceiling-Children/dp/B0BGRVVB9Y/> (Year: 2022).*

Primary Examiner — Nathan M Johnston

(57) **CLAIM**

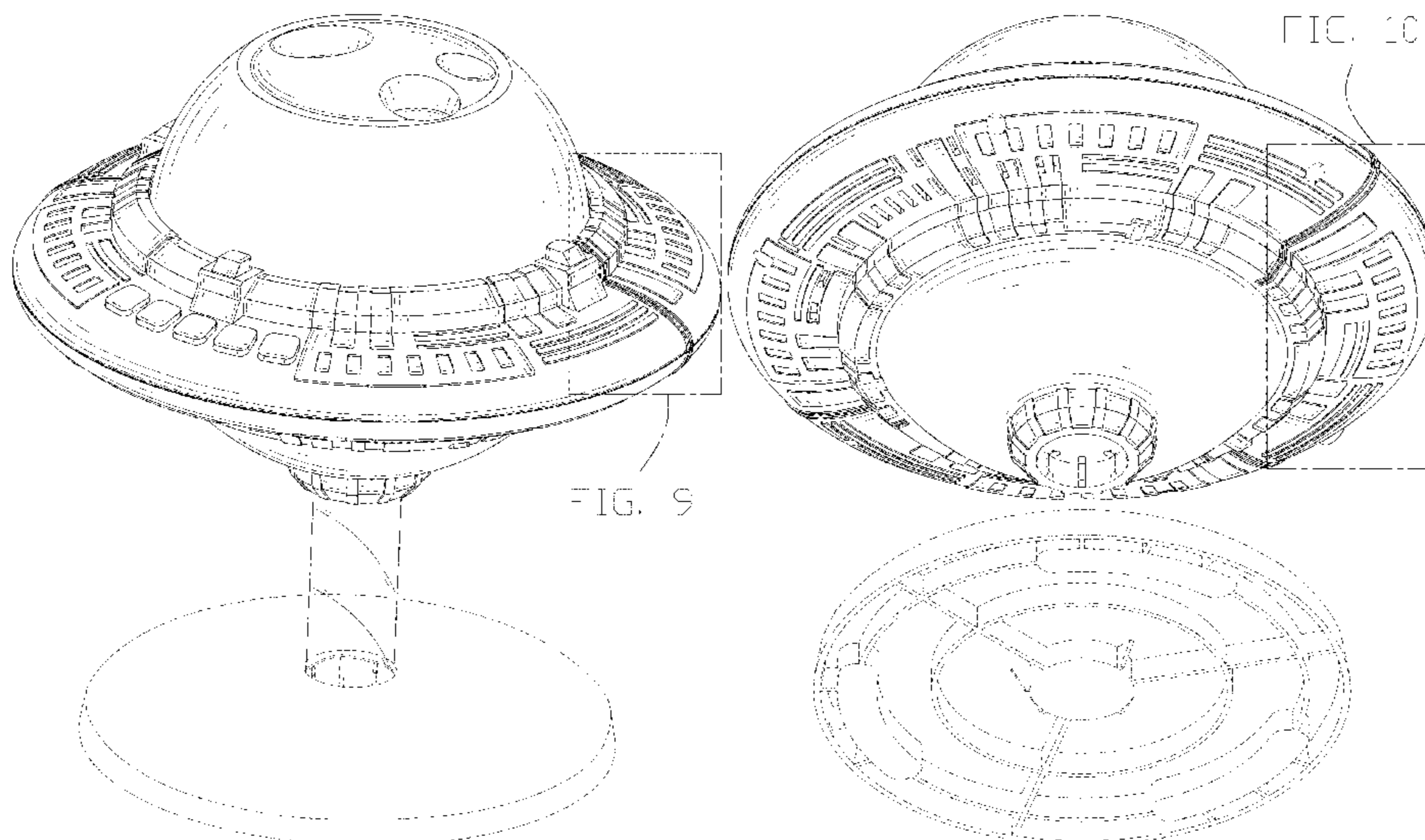
The ornamental design for a projection lamp, as shown and described.

DESCRIPTION

FIG. 1 is a front and top perspective view of a projection lamp, showing my new design;
FIG. 2 is a rear and bottom perspective view thereof;
FIG. 3 is a front elevation view thereof;
FIG. 4 is a rear elevation view thereof;
FIG. 5 is a left side elevation view thereof;
FIG. 6 is a right side elevation view thereof;
FIG. 7 is a top plan view thereof;
FIG. 8 is a bottom plan view thereof;
FIG. 9 is an enlarged view of a portion labeled, 'FIG. 9' in FIG. 1; and,
FIG. 10 is an enlarged view of a portion labeled, 'FIG. 10' in FIG. 2.

The broken lines in the figures illustrate portions of the projection lamp that form no part of the claimed design. The dash dot dash lines in FIGS. 1, 2, 9 and 10 are for the purpose of depicting the boundary lines of the enlarged views and form no part of the claimed design.

1 Claim, 10 Drawing Sheets



(56)

References Cited

U.S. PATENT DOCUMENTS

D730,546 S *	5/2015	Baum	D26/1
D757,334 S *	5/2016	Johnson	D26/94
D900,362 S *	10/2020	Li	D26/28
D901,747 S *	11/2020	Lin	D26/106
D914,958 S *	3/2021	Zheng	D26/110
D919,875 S *	5/2021	Peng	D26/110
D919,876 S *	5/2021	Ouyang	D26/110
D933,282 S *	10/2021	Ji	D26/93
D945,052 S *	3/2022	Huang	D26/112
D946,195 S *	3/2022	Zhong	D26/67
D948,095 S *	4/2022	Zheng	D26/104
D951,522 S *	5/2022	Xiong	D26/110
D962,532 S *	8/2022	He	D26/104
D963,234 S *	9/2022	Ye	D26/110

* cited by examiner

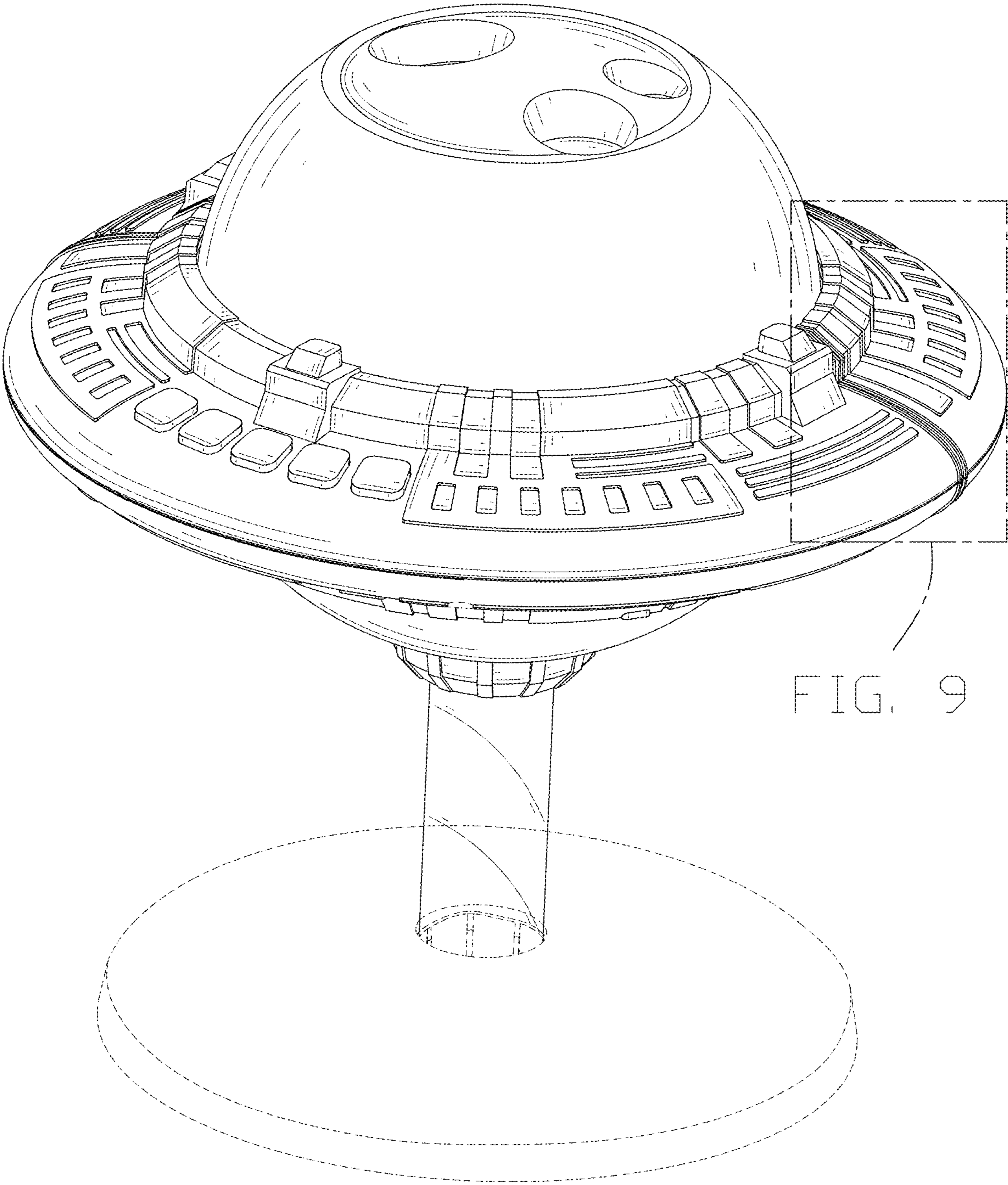


FIG. 9

FIG. 1

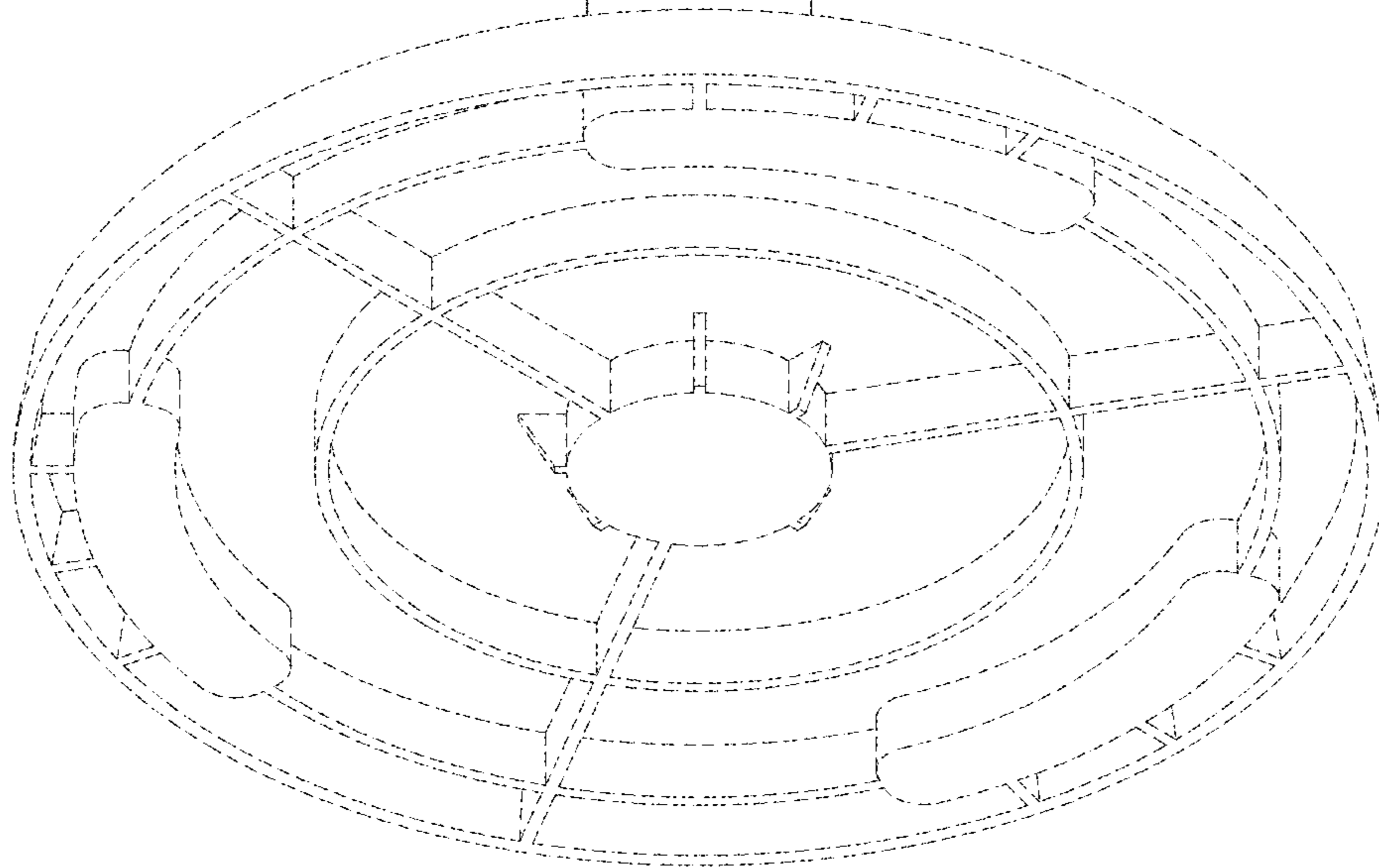
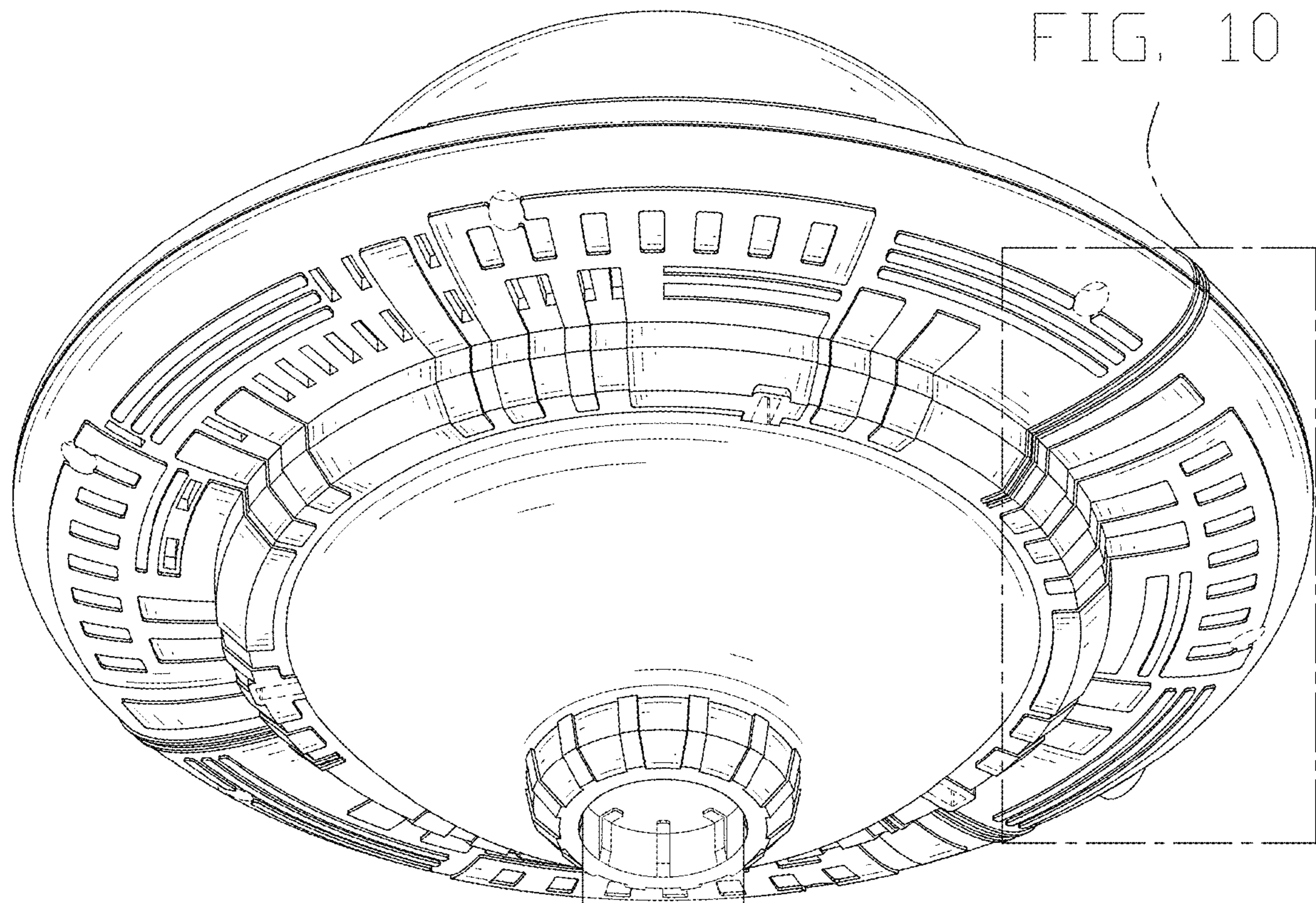


FIG. 2

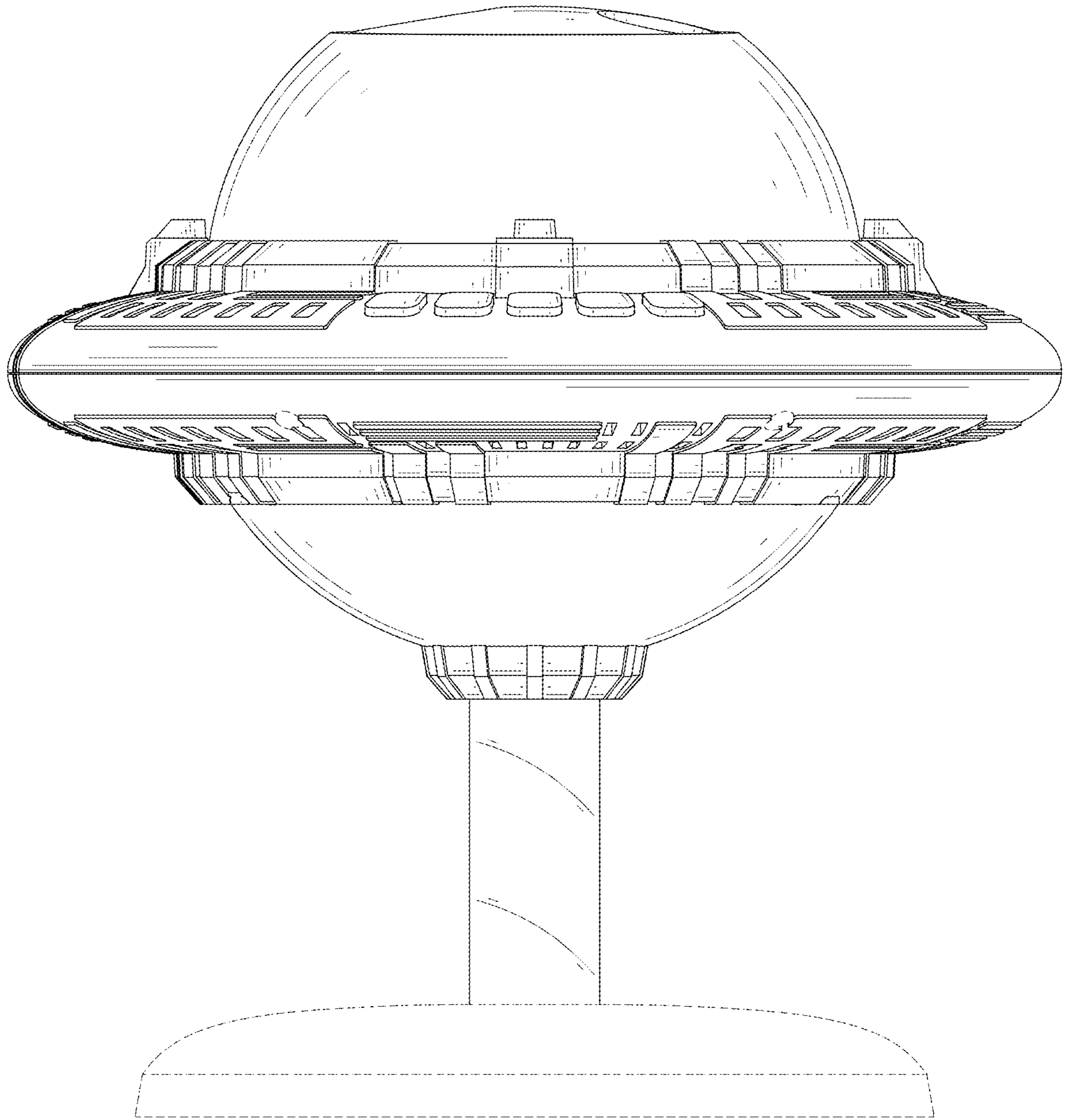


FIG. 3

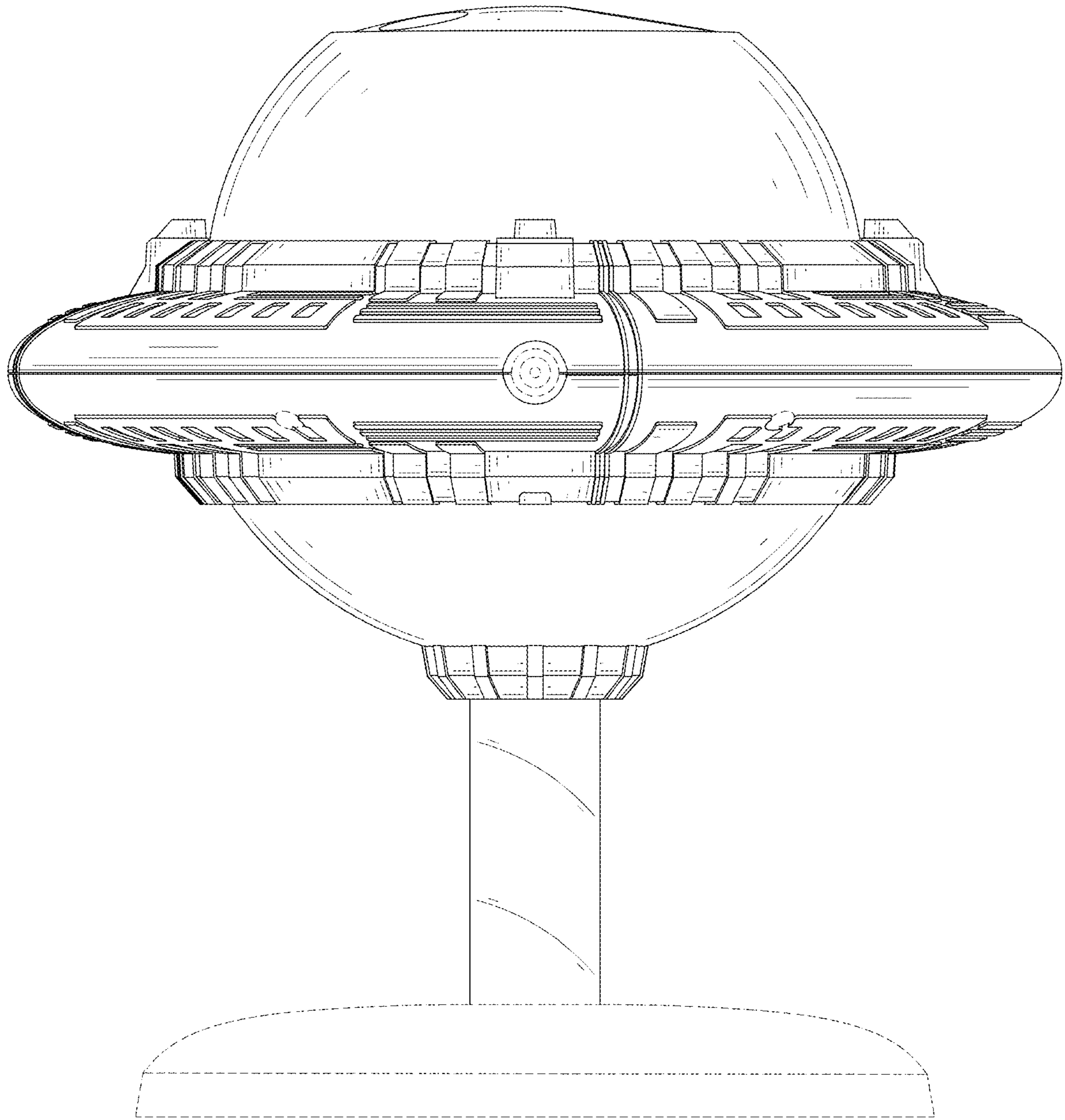


FIG. 4

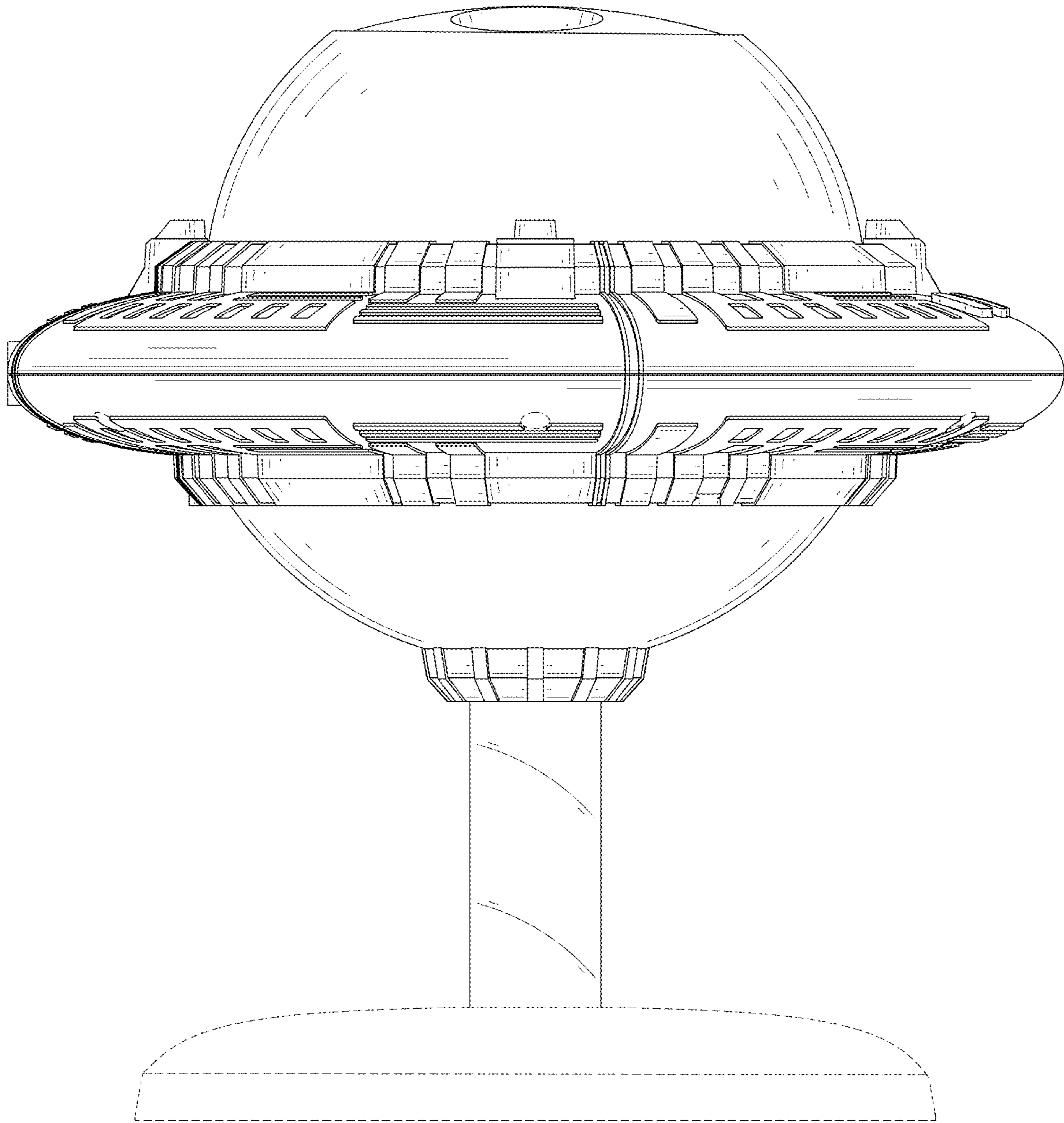


FIG. 5

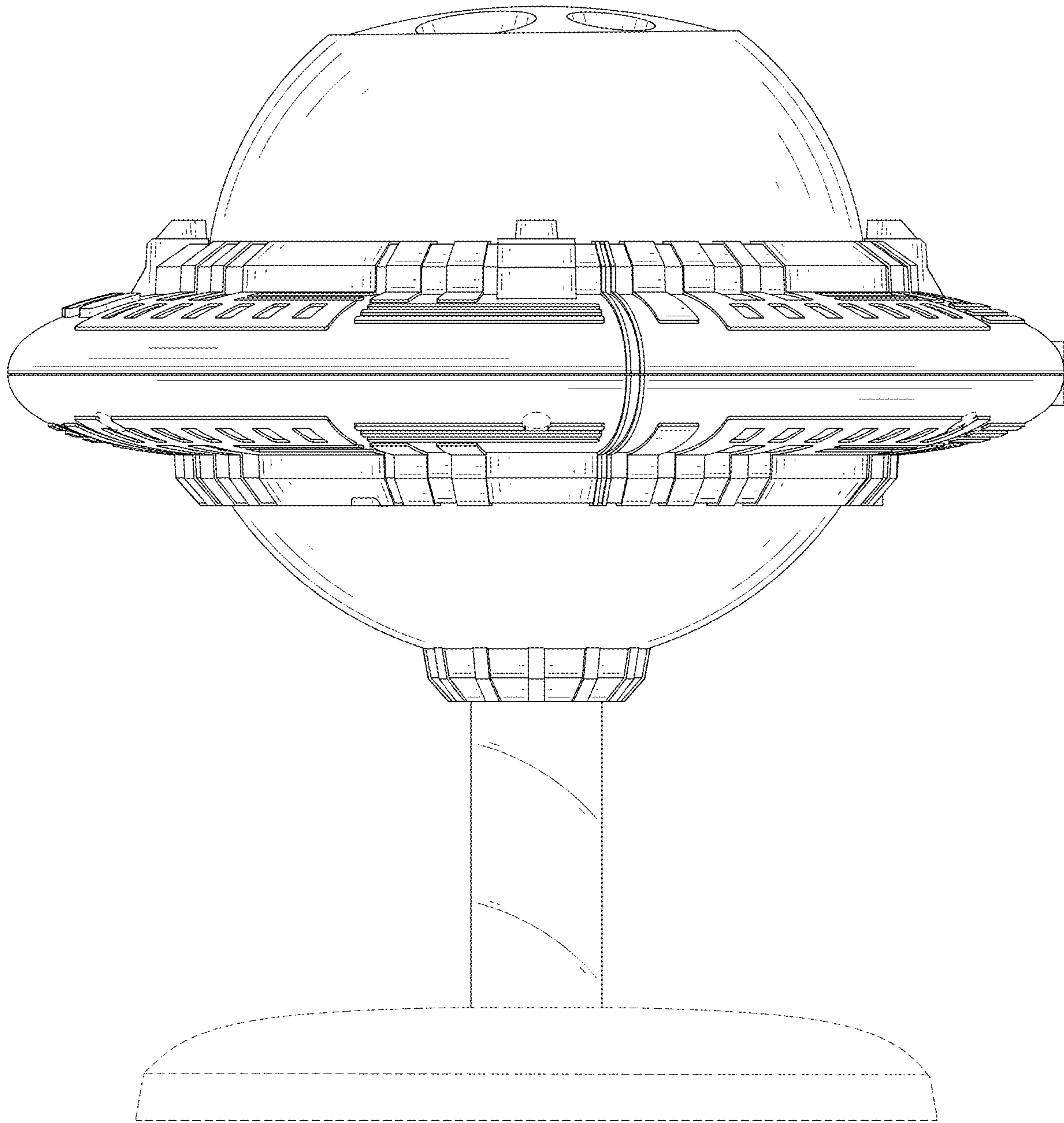


FIG. 6

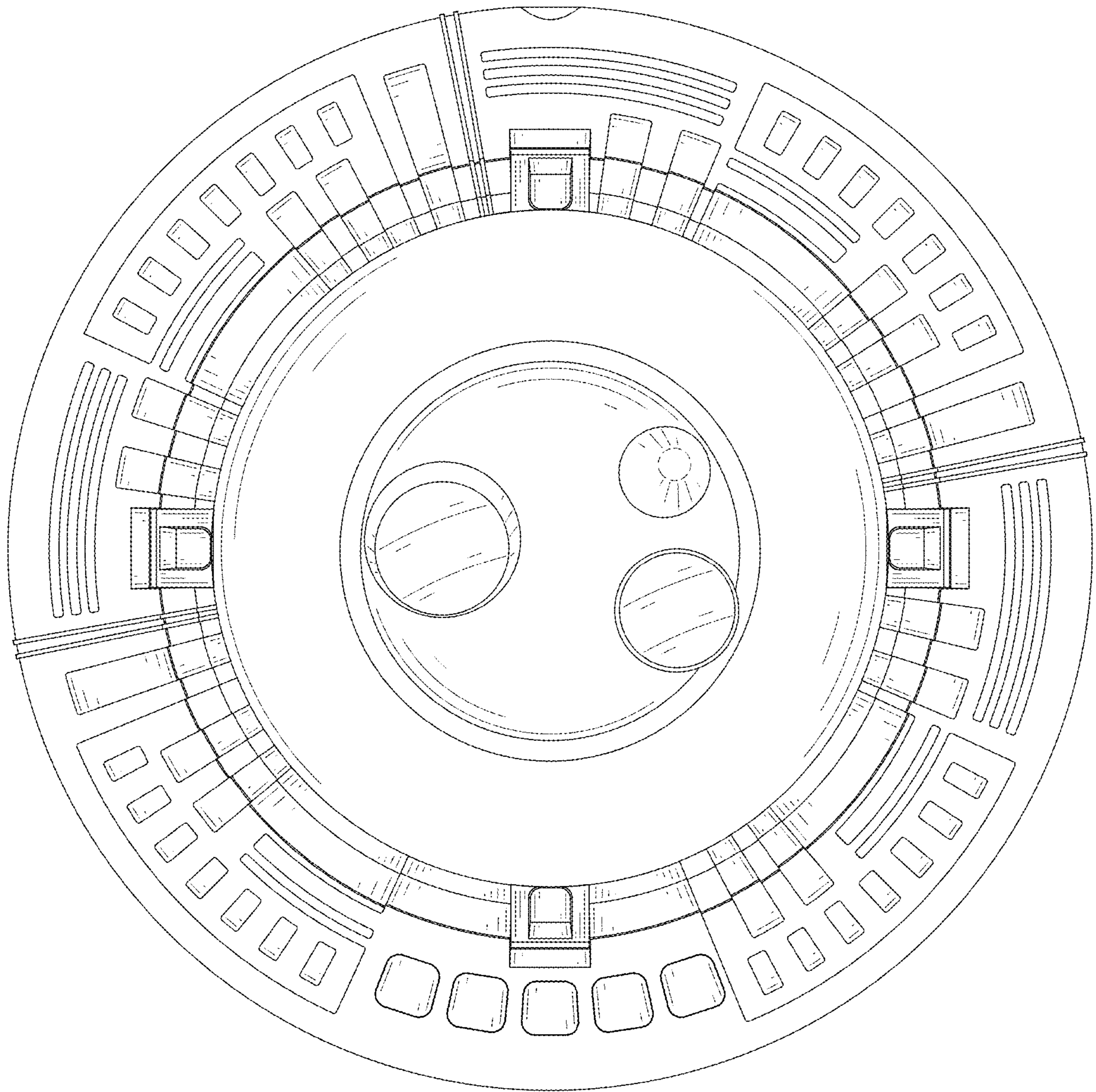


FIG. 7

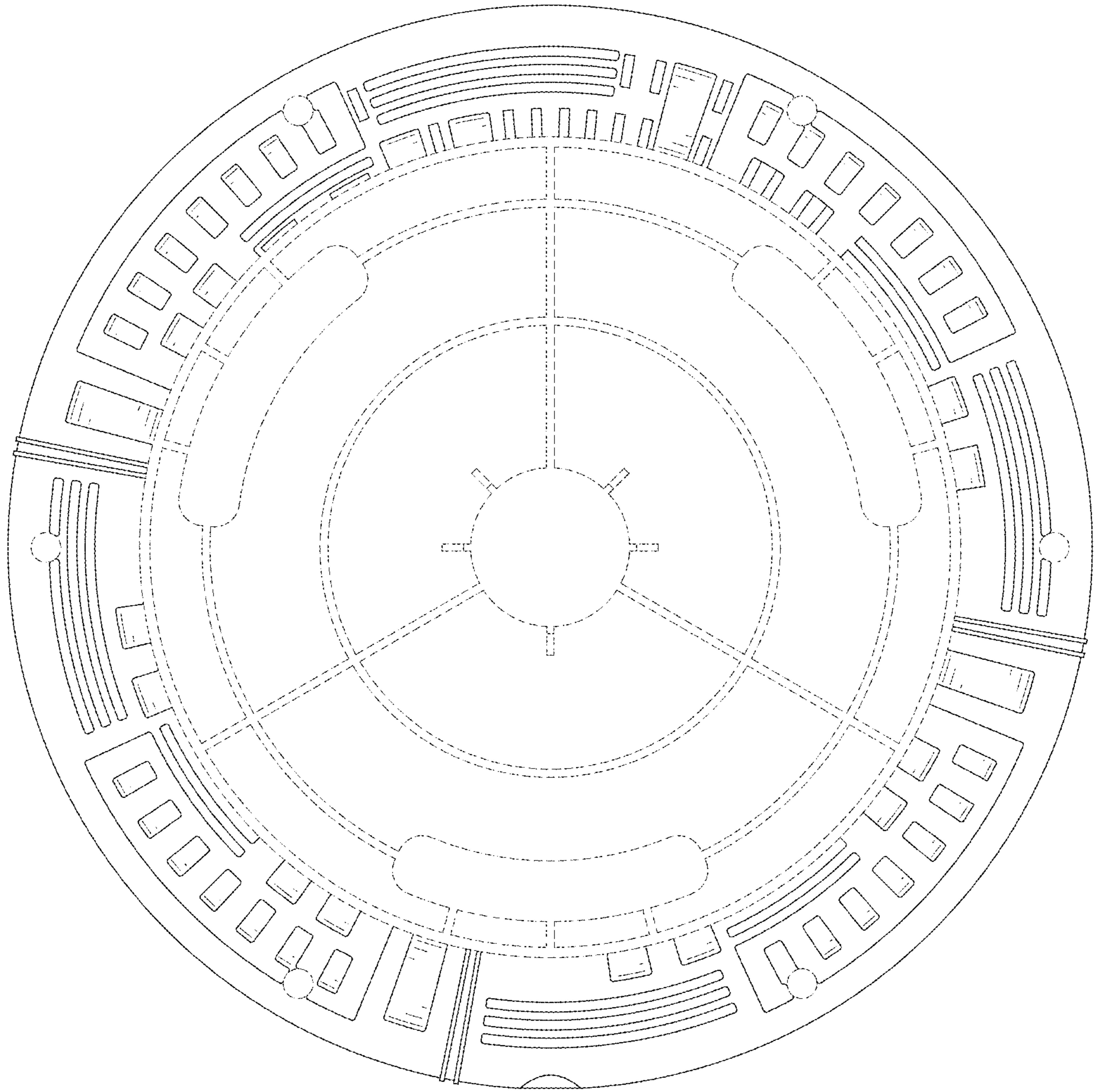


FIG. 8

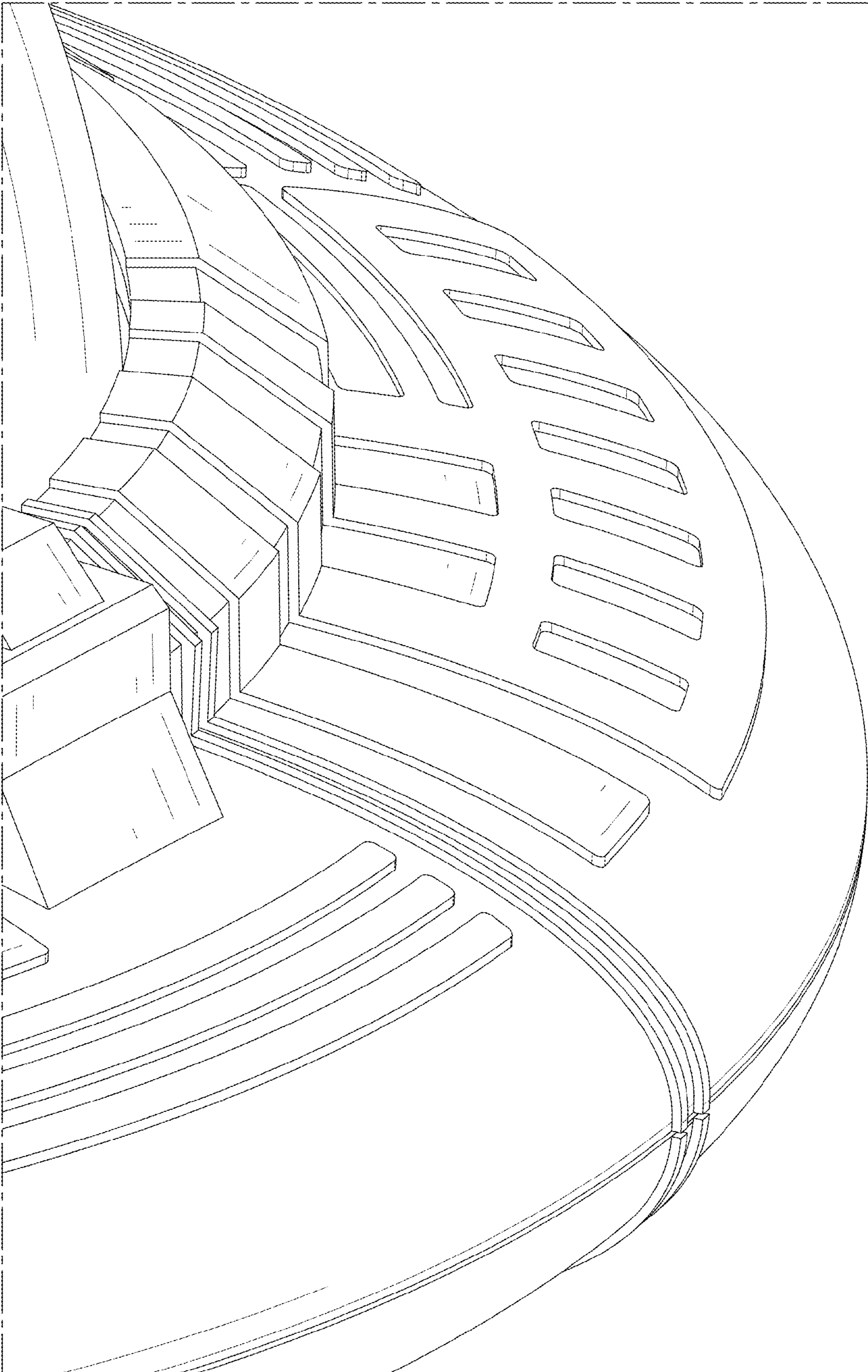


FIG. 9

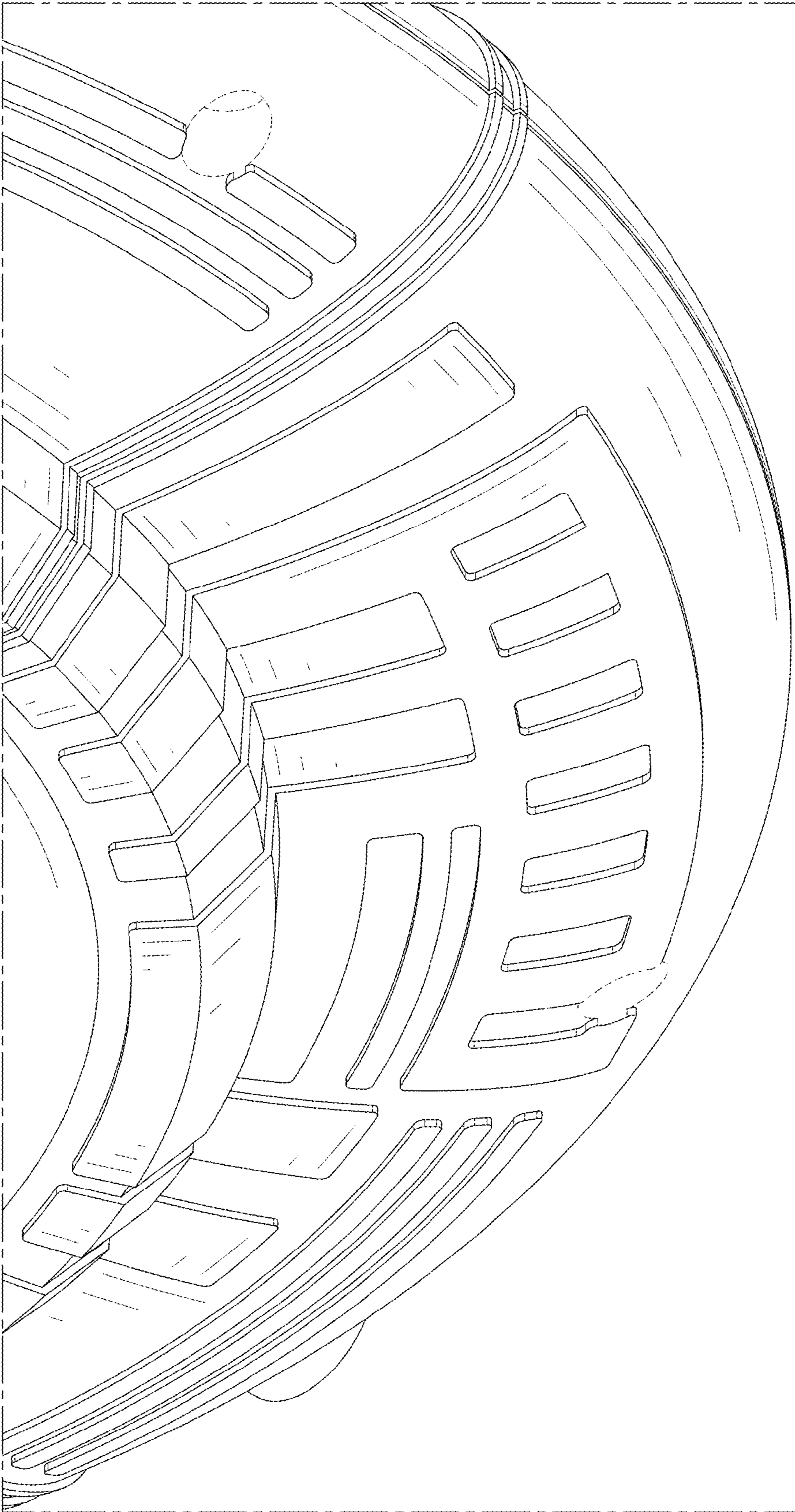


FIG. 10