



US00D981633S

(12) **United States Design Patent**
Wang

(10) **Patent No.:** **US D981,633 S**
(45) **Date of Patent:** **** Mar. 21, 2023**

(54) **FLOOR LAMP**

Primary Examiner — Michael A. Pratt

(71) Applicant: **YaoMei Wang**, Dongguan (CN)

(72) Inventor: **YaoMei Wang**, Dongguan (CN)

(**) Term: **15 Years**

(21) Appl. No.: **29/859,281**

(22) Filed: **Nov. 9, 2022**

(51) **LOC (14) Cl.** **26-05**

(52) **U.S. Cl.**
USPC **D26/93**

(58) **Field of Classification Search**
USPC ... D26/1, 24, 37, 46, 48, 50, 61, 62, 63, 64,
D26/93, 102, 106
CPC F21S 6/00; F21S 8/03; F21S 8/032; F21S
6/005
See application file for complete search history.

(56) **References Cited**

U.S. PATENT DOCUMENTS

D628,338 S	*	11/2010	Sabernig	D26/65
D757,987 S	*	5/2016	Lee	D26/102
D824,579 S	*	7/2018	Chen	D26/65
D876,707 S	*	2/2020	Tang	D26/110
D938,094 S	*	12/2021	Wang	D26/106
D944,442 S	*	2/2022	Chen	D26/93
D948,104 S	*	4/2022	Gu	D26/107
D953,607 S		5/2022	Chen		
D967,502 S	*	10/2022	Liang	D26/106
D973,259 S	*	12/2022	Wang	D26/93

* cited by examiner

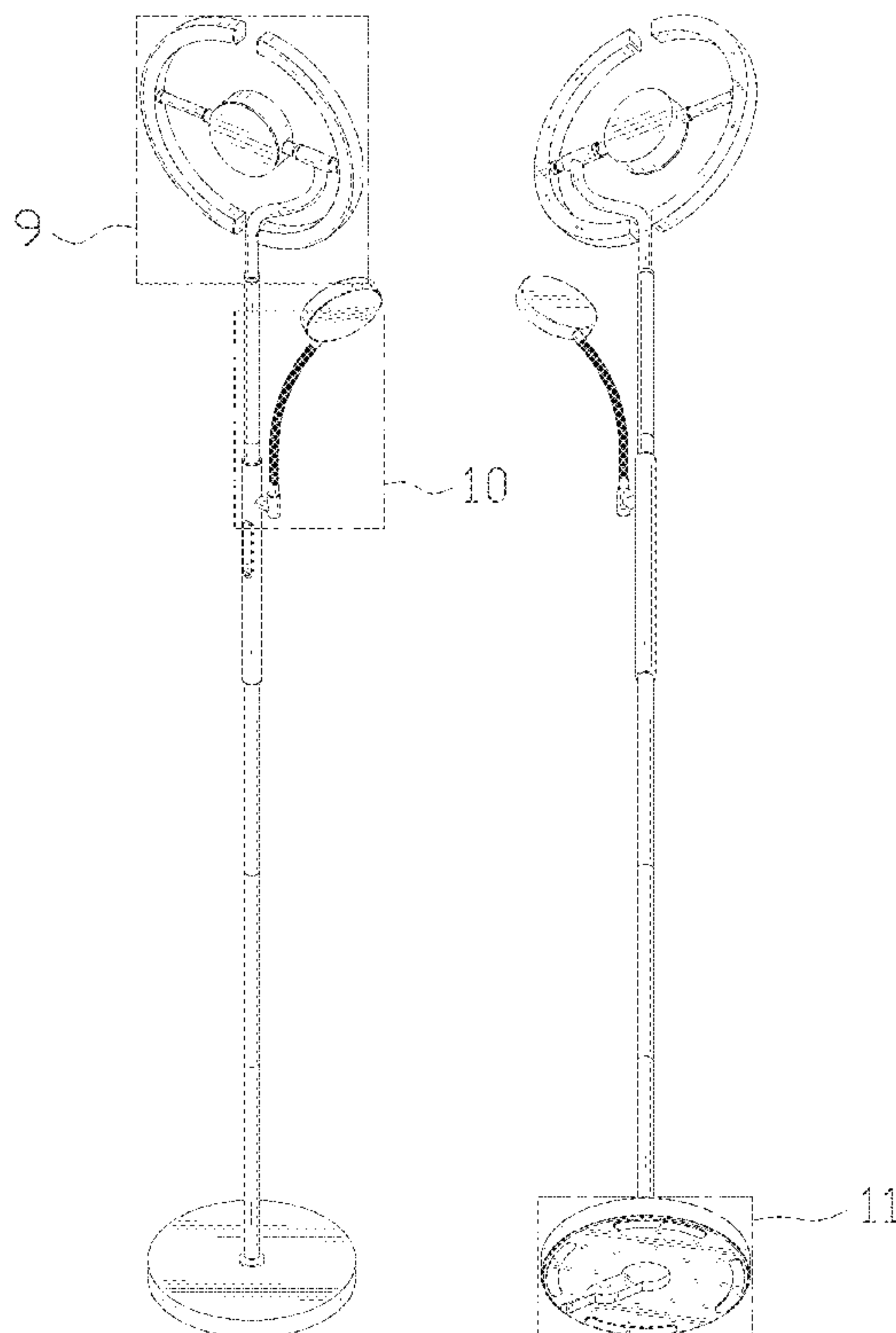
(57) **CLAIM**

The ornamental design for a floor lamp, as shown and described.

DESCRIPTION

FIG. 1 is a front and top perspective view of a floor lamp, showing my new design;
 FIG. 2 is a rear and bottom perspective view thereof;
 FIG. 3 is a front elevation view thereof;
 FIG. 4 is a rear elevation view thereof;
 FIG. 5 is a left side elevation view thereof;
 FIG. 6 is a right side elevation view thereof;
 FIG. 7 is a top plan view thereof;
 FIG. 8 is a bottom plan view thereof;
 FIG. 9 is an enlarged perspective view of detail "9" identified in FIG. 1;
 FIG. 10 is an enlarged perspective view of detail "10" identified in FIG. 1;
 FIG. 11 is an enlarged perspective view of detail "11" identified in FIG. 2; and,
 FIG. 12 is an exploded view thereof.
 The dashed lines in the figures illustrate portions of the floor lamp that form no part of the claimed design. The dash dot dash lines in FIGS. 1, 2, 9, 10 and 11 are for the purpose of illustrating the enlarged views indicators and form no part of the claimed design.

1 Claim, 12 Drawing Sheets



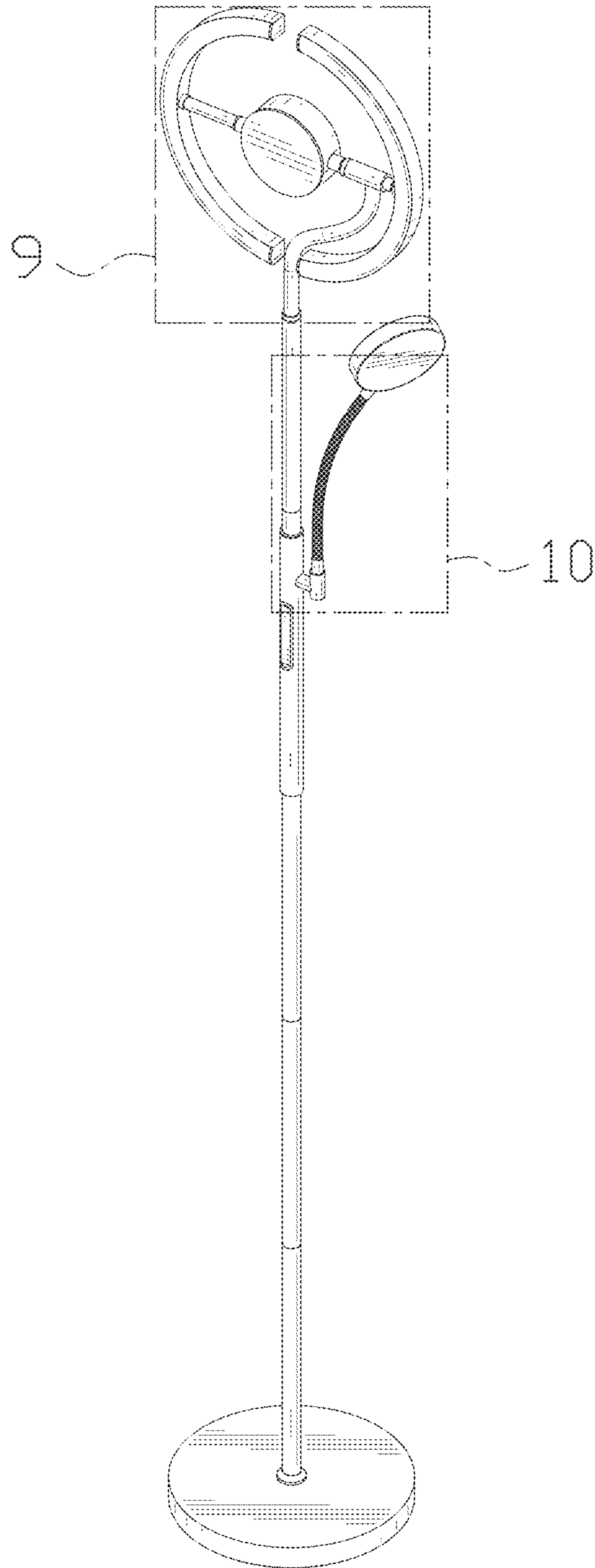


FIG. 1

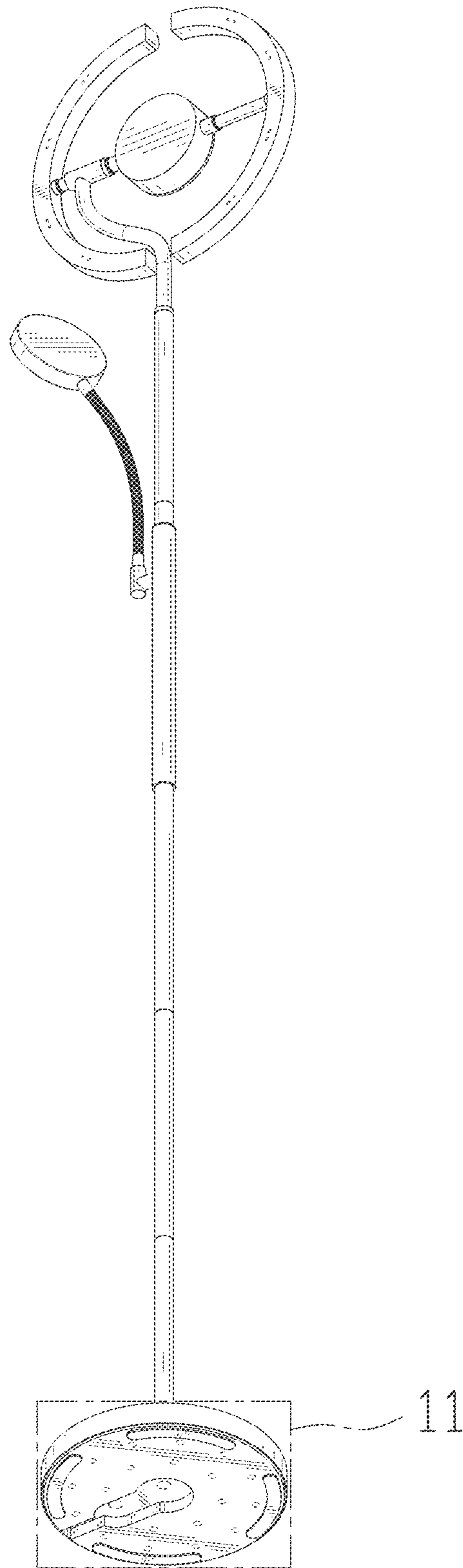


FIG. 2

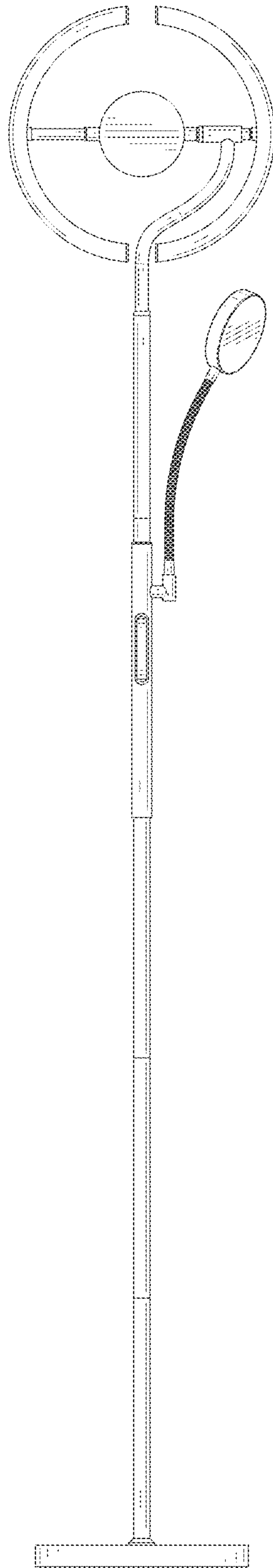


FIG. 3

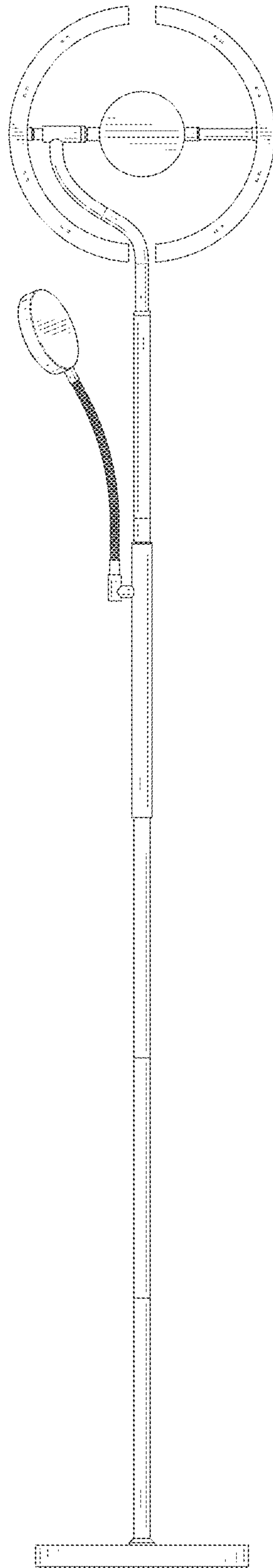


FIG. 4

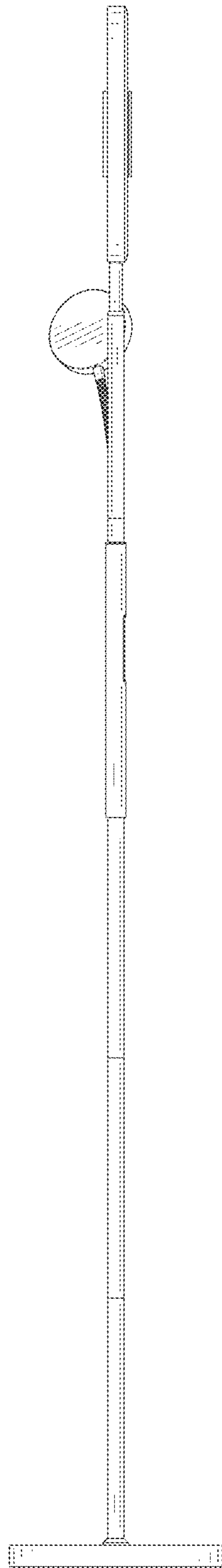


FIG. 5

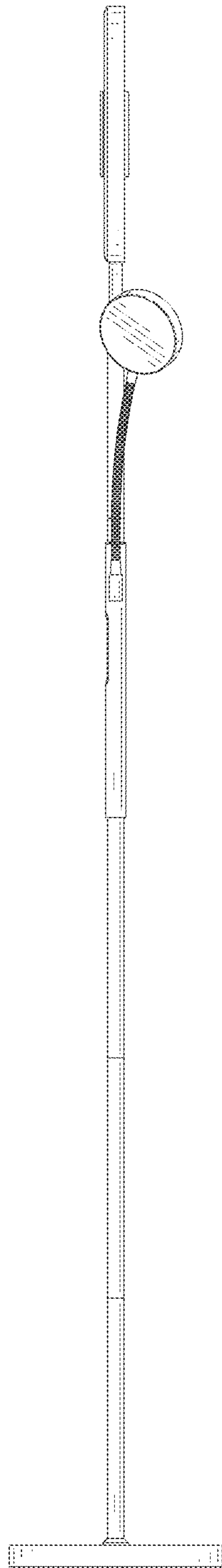


FIG. 6

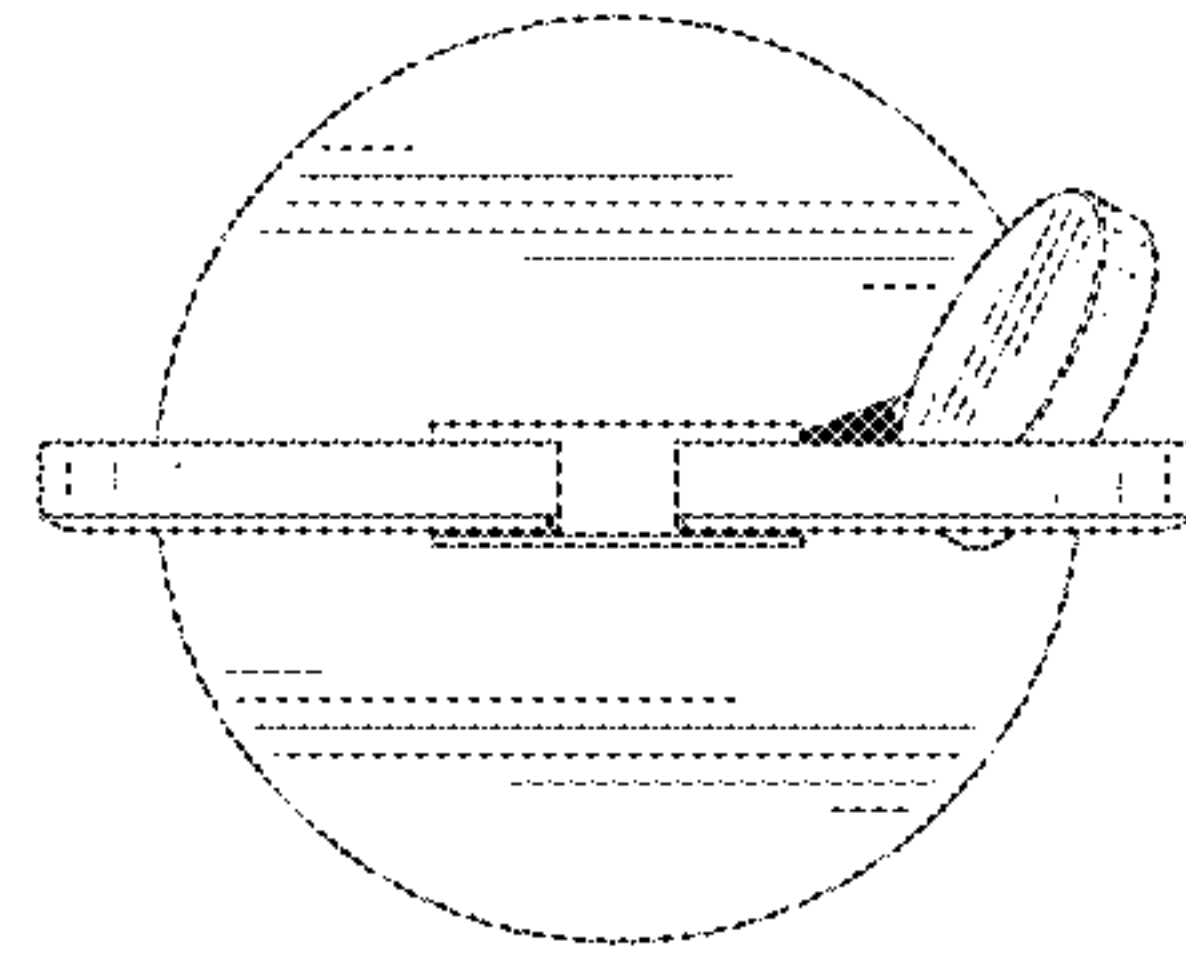


FIG. 7

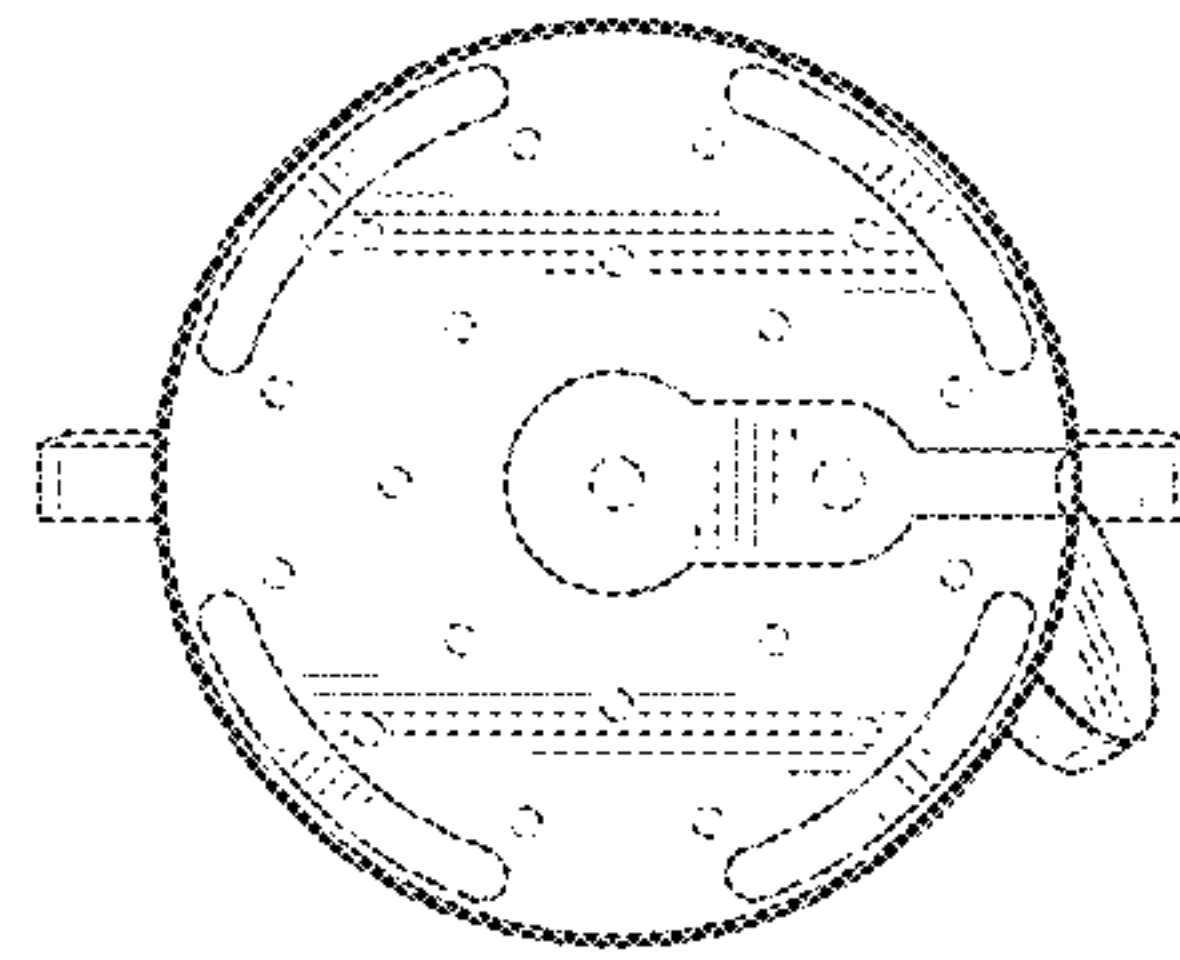


FIG. 8

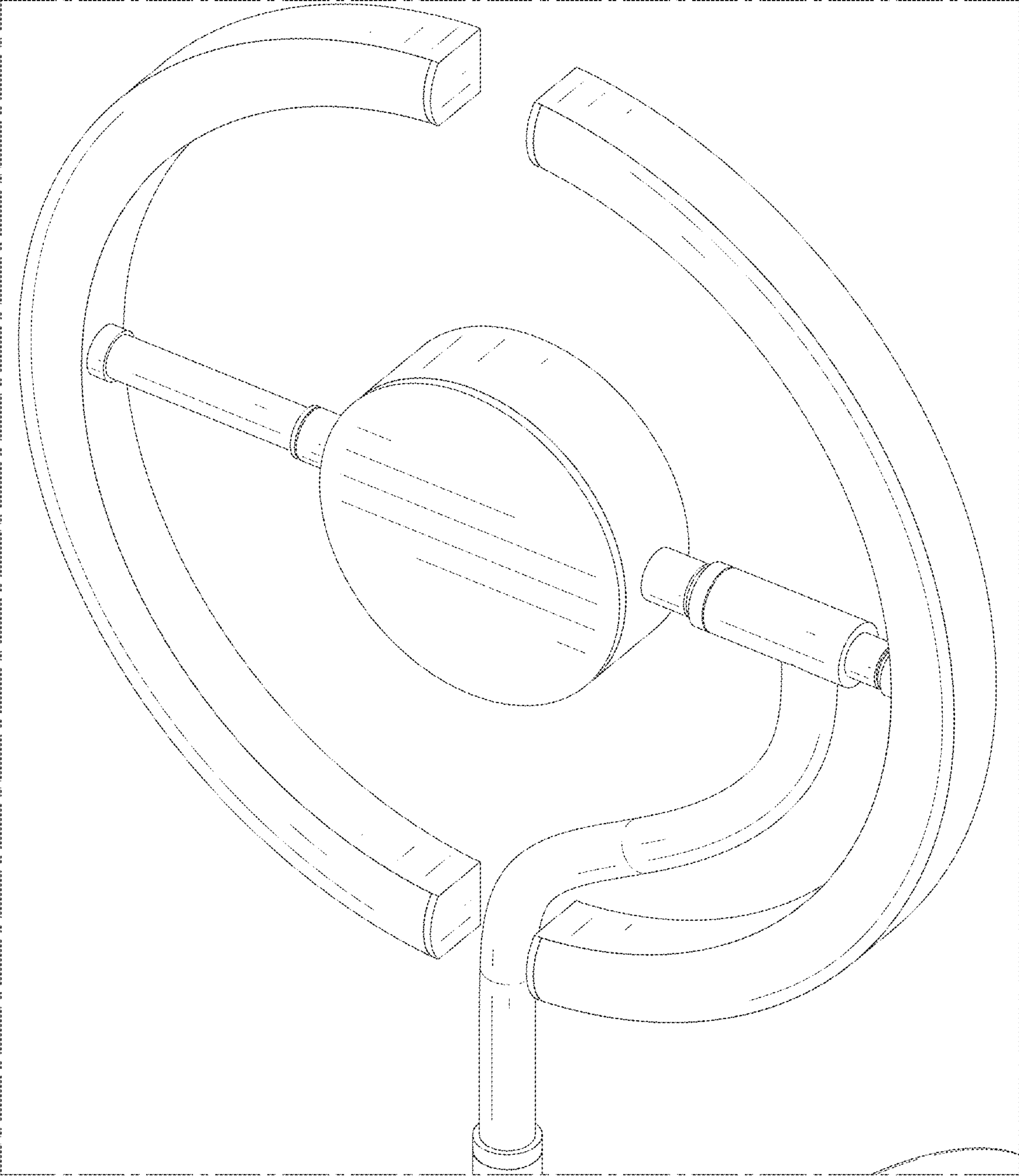


FIG. 9

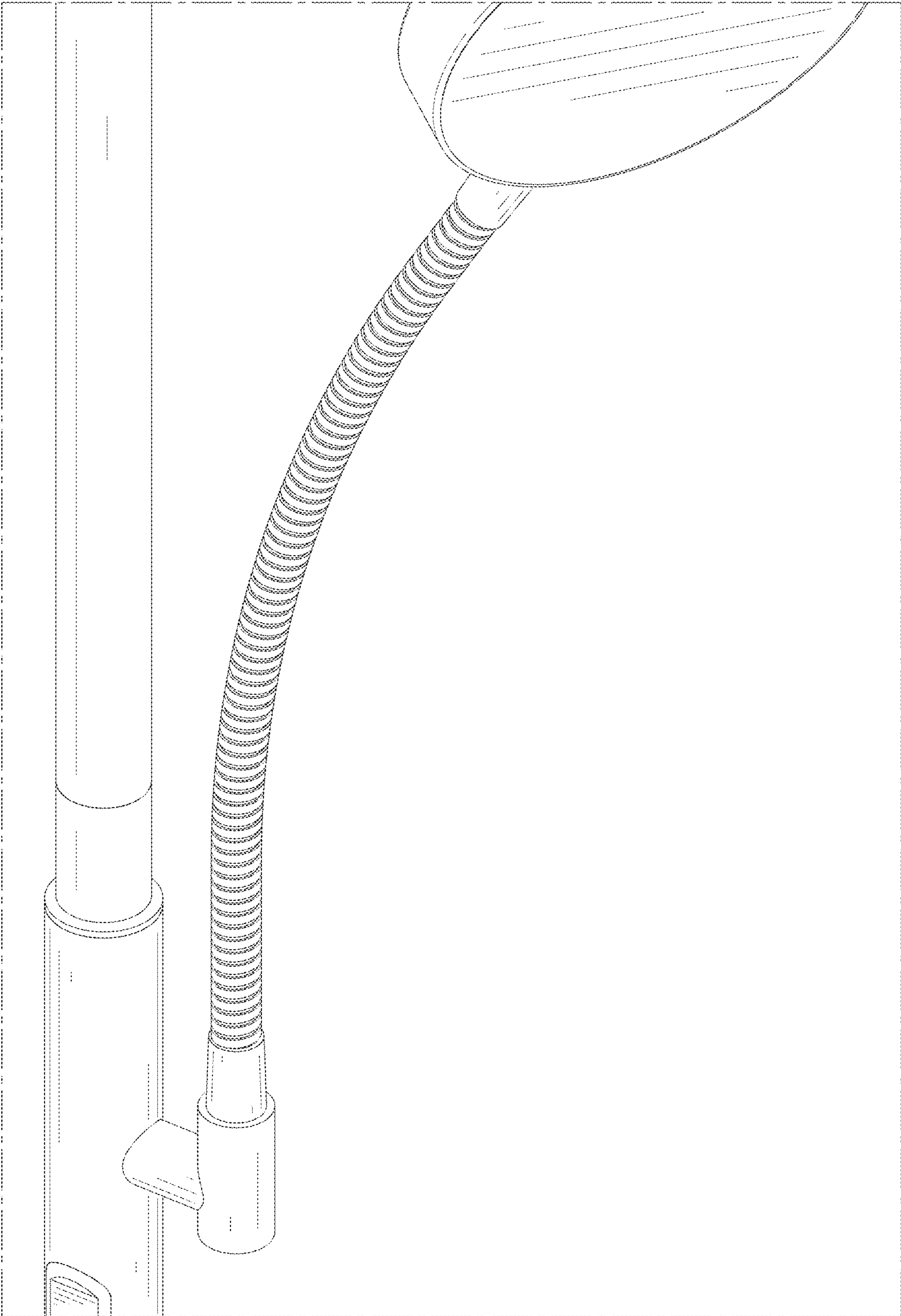


FIG. 10

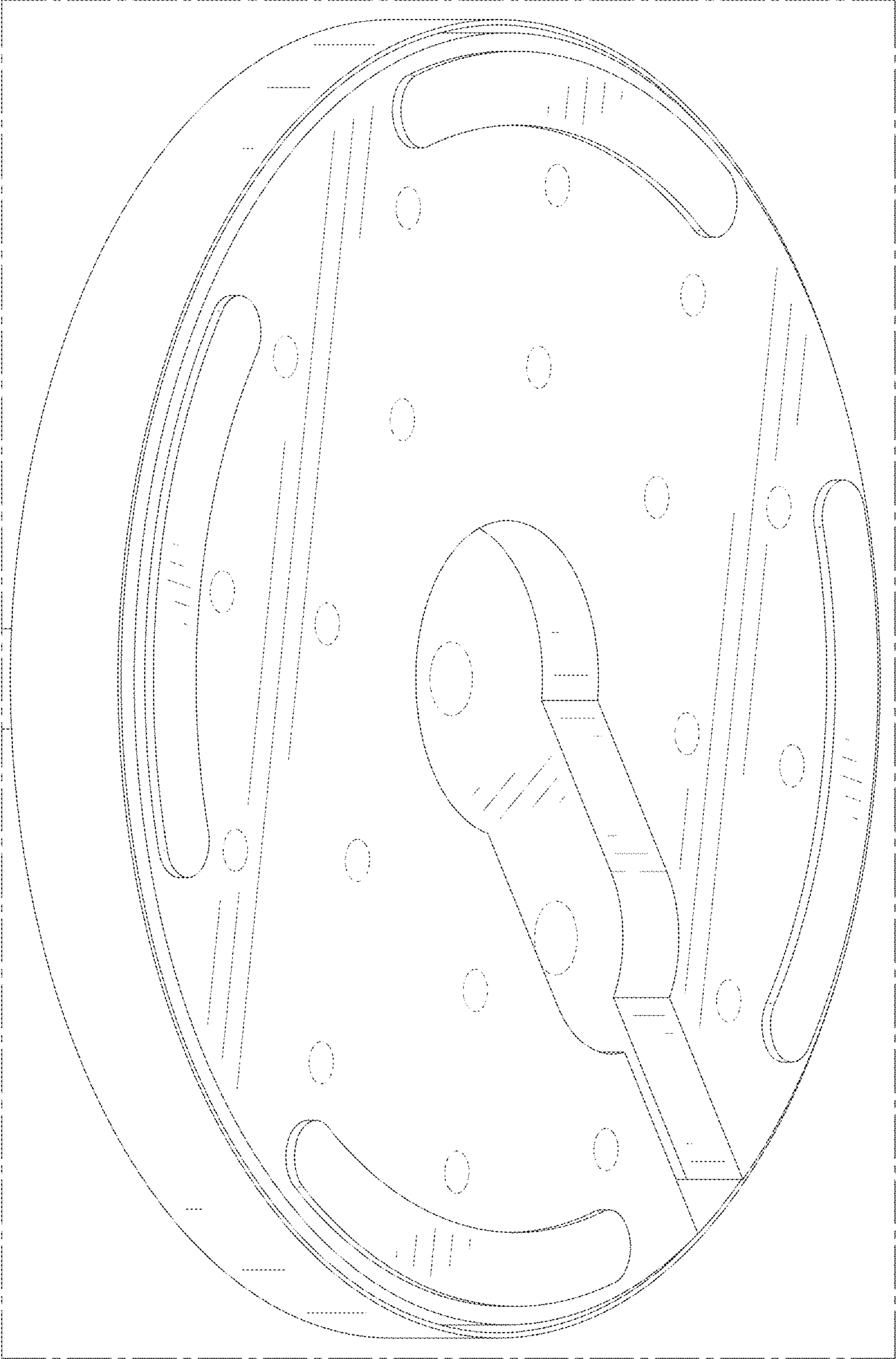


FIG. 11

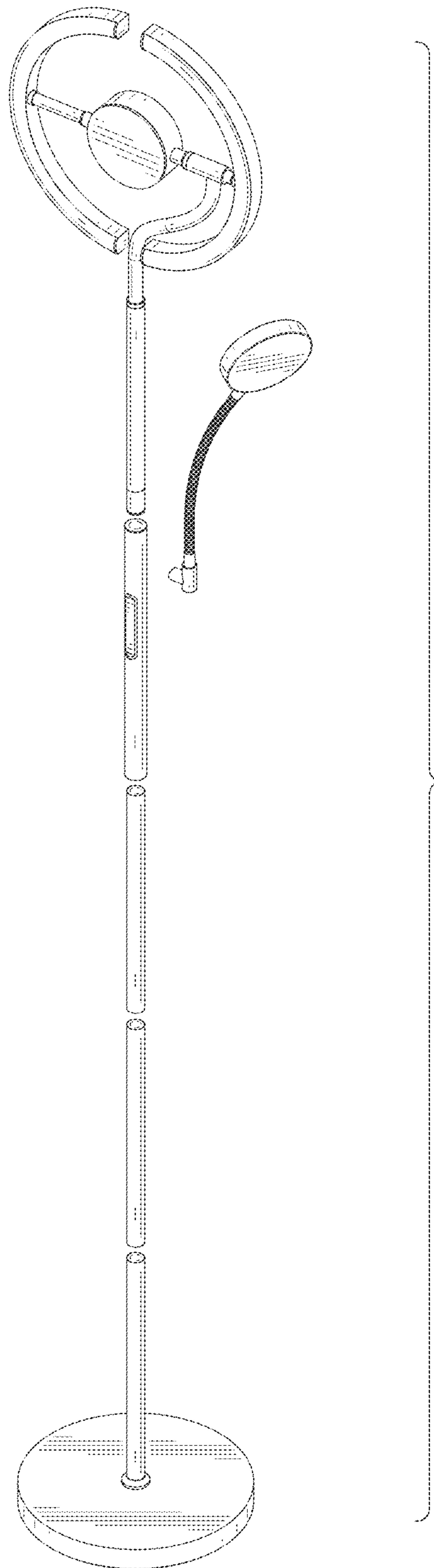


FIG. 12