



US00D981632S

(12) **United States Design Patent** (10) **Patent No.:** **US D981,632 S**
Zheng et al. (45) **Date of Patent:** **** Mar. 21, 2023**

(54) **WAKE-UP LIGHT**

FOREIGN PATENT DOCUMENTS

(71) Applicant: **Shenzhen Bolong Technology Co. Ltd.**, Shenzhen (CN)

CN 202030647482.6 * 4/2021
CN 6203185 * 4/2022

(72) Inventors: **Huazhu Zheng**, Shenzhen (CN);
Caijian Zheng, Shenzhen (CN);
Wenzhen Ouyang, Shenzhen (CN)

OTHER PUBLICATIONS

(**) Term: **15 Years**

Amazon.com: Sunrise Alarm Clock, SV3CHome Smart Wake Up Light, Alarm Clock for Heavy Sleepers Adults. Date product first available: Sep. 16, 2022. Retrieved from internet on Nov. 30, 2022 at: https://www.amazon.com/dp/B0BFGT1QWD/ref=sspa_dk_detail_4?psc=1&pf_rd_p=46bad5f6-1f0a-4167-9a8b-c8a82fa48a54&pf_rd_r=QAAD7REZJ0DSC8CF034W&pd_rd_wg=mAxB&pd_rd_w=LSEDz&content-id=amzn1.sym.46bad5f6-1f0a-4167-9a8b-c8a82fa48a54&pd_rd_r=97716f9d-7b91-4c93-bdbd-8f36afb538f8&s=kitchen&sp_csd=d2lkZ2V0TmFtZT1zc.*

(21) Appl. No.: **29/836,420**

(22) Filed: **Apr. 27, 2022**

(30) **Foreign Application Priority Data**

Apr. 14, 2022 (CN) 202230210944.7

(51) **LOC (14) Cl.** **26-05**

(52) **U.S. Cl.**
USPC **D26/93**

(58) **Field of Classification Search**
USPC D24/200, 209, 210; D26/93, 104, 106
CPC A61N 5/062; A61N 5/0614; A61N 5/0616;
A61N 5/0617; A61N 5/0618; A61N
5/0624; A61N 5/0627; A61N 5/0625;
F21V 23/003; F21V 33/0056; F21Y
2113/17

See application file for complete search history.

(56) **References Cited**

U.S. PATENT DOCUMENTS

D629,150 S 12/2010 Doulobakas
D690,455 S 9/2013 Hagenauer
D739,592 S 9/2015 Hagenauer
D859,679 S * 9/2019 Xu D24/210
D868,985 S * 12/2019 Xu D24/210
D898,271 S * 10/2020 Zheng D26/110
D917,773 S * 4/2021 Amato D26/106
D939,749 S * 12/2021 Zhao D24/210
D959,726 S * 8/2022 Chen D26/104
D962,513 S * 8/2022 Zheng D26/104
D965,204 S * 9/2022 Pan D26/93

* cited by examiner

Primary Examiner — Anhdao Doan

(74) *Attorney, Agent, or Firm* — Rumit Ranjit Kanakia

(57) **CLAIM**

The ornamental design for a wake-up light, as shown and described.

DESCRIPTION

FIG. 1 is a first perspective view of a wake-up light showing our new design;

FIG. 2 is a second perspective view thereof;

FIG. 3 is a front view thereof;

FIG. 4 is a back view thereof;

FIG. 5 is a left side view thereof;

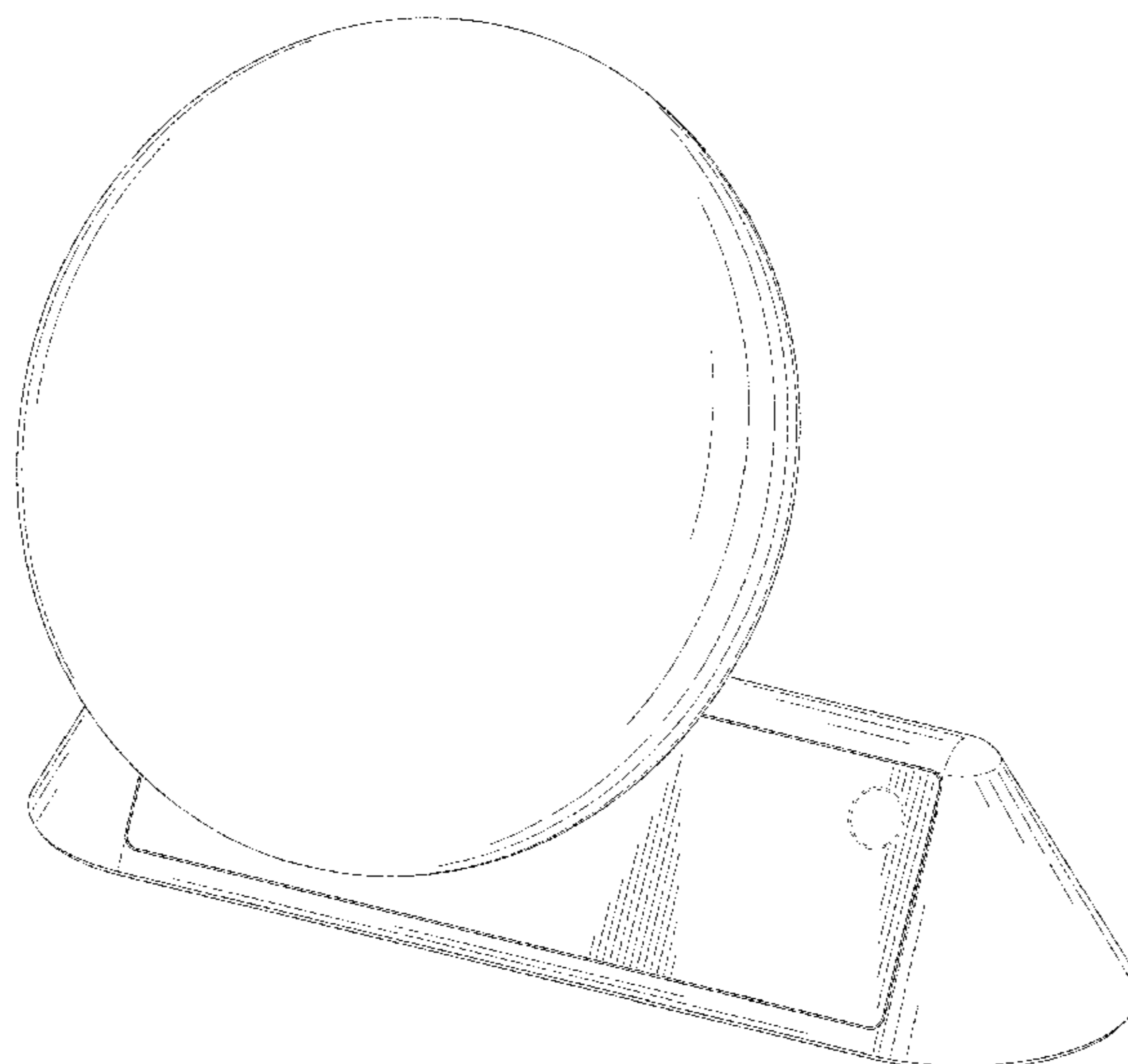
FIG. 6 is a right side view thereof;

FIG. 7 is a top view thereof; and,

FIG. 8 is a bottom view thereof.

The broken lines shown in the drawings depict portions of the wake-up light that form no part of the claimed design.

1 Claim, 8 Drawing Sheets



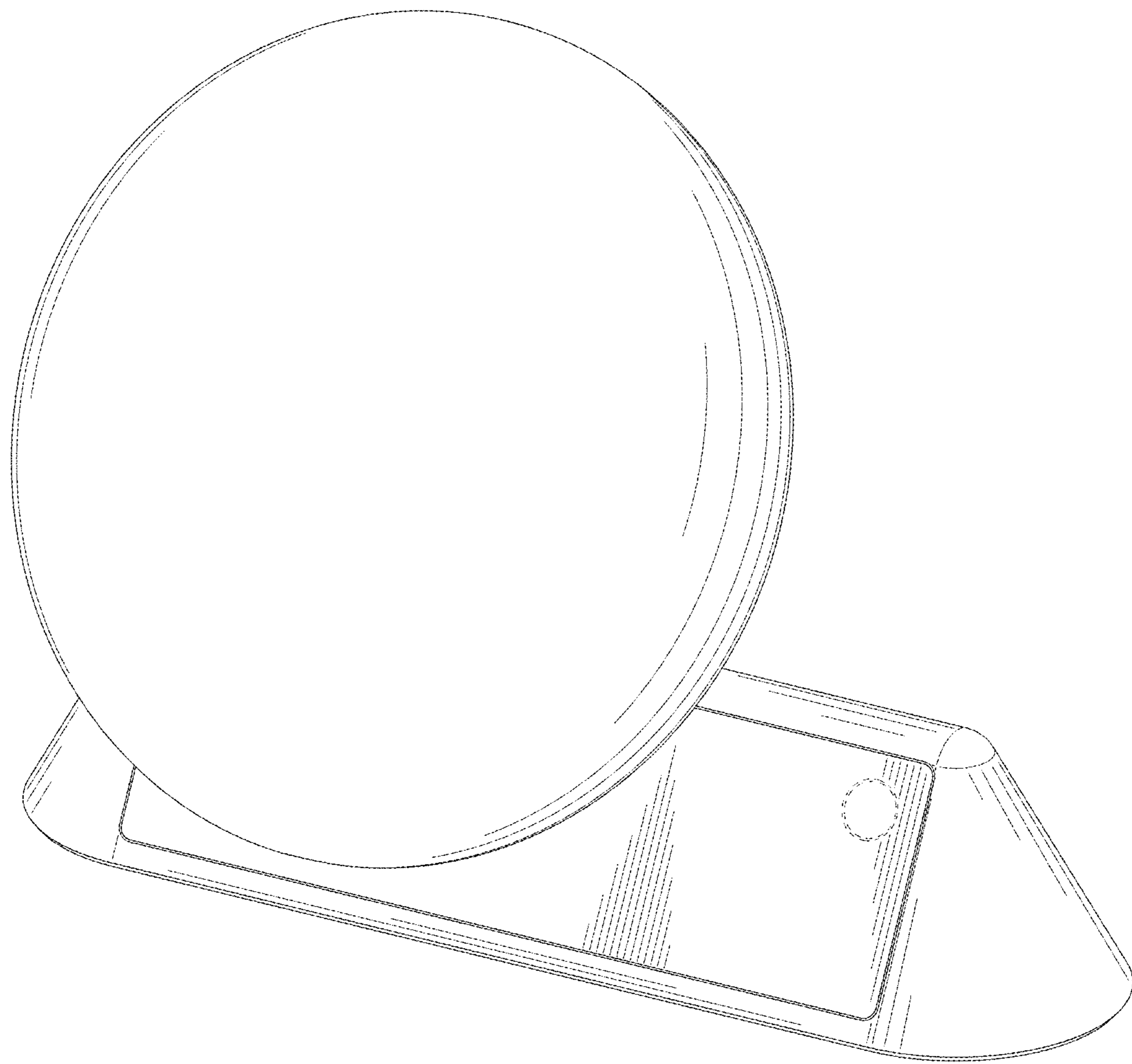


FIG. 1

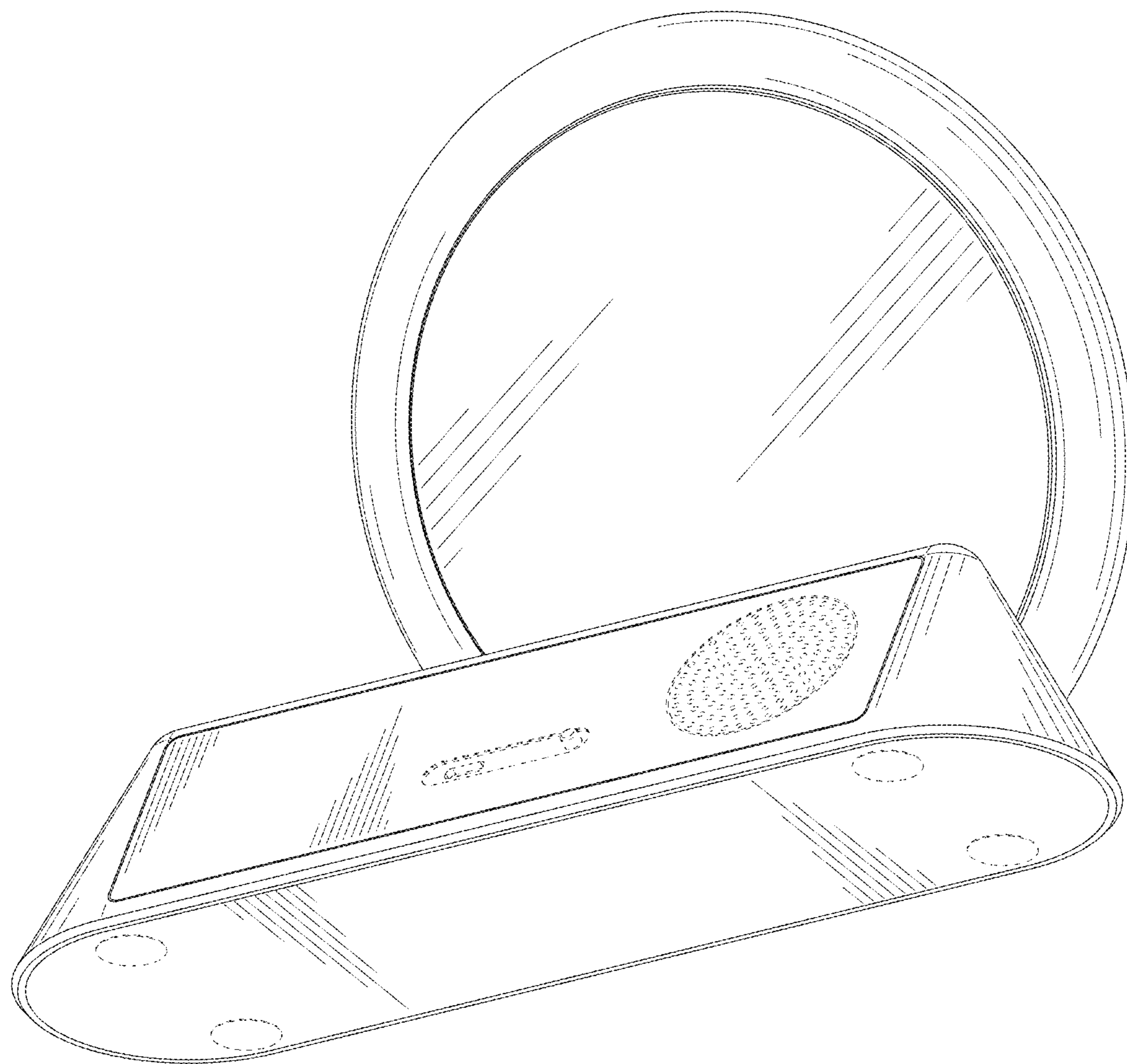


FIG. 2

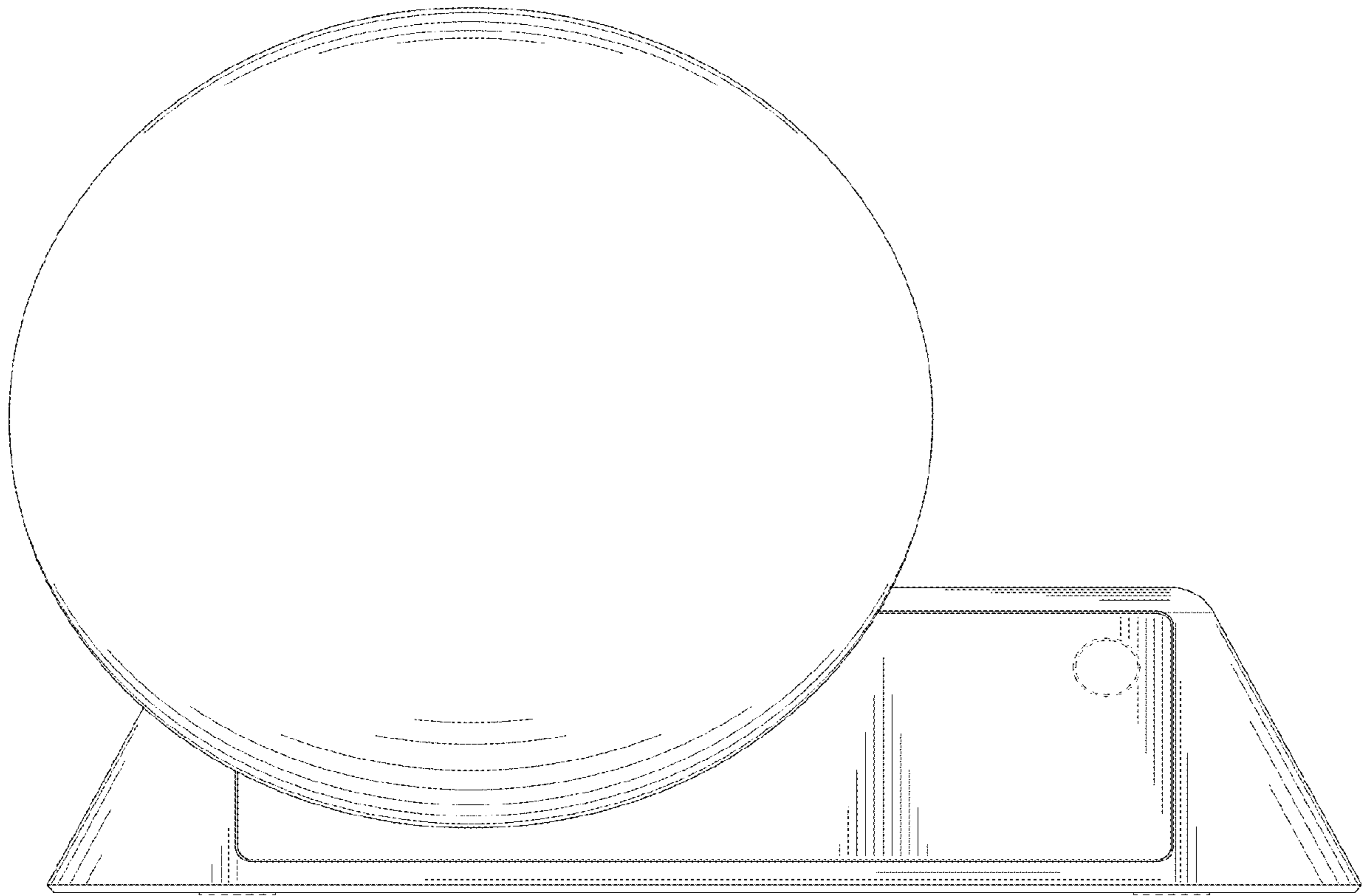


FIG. 3

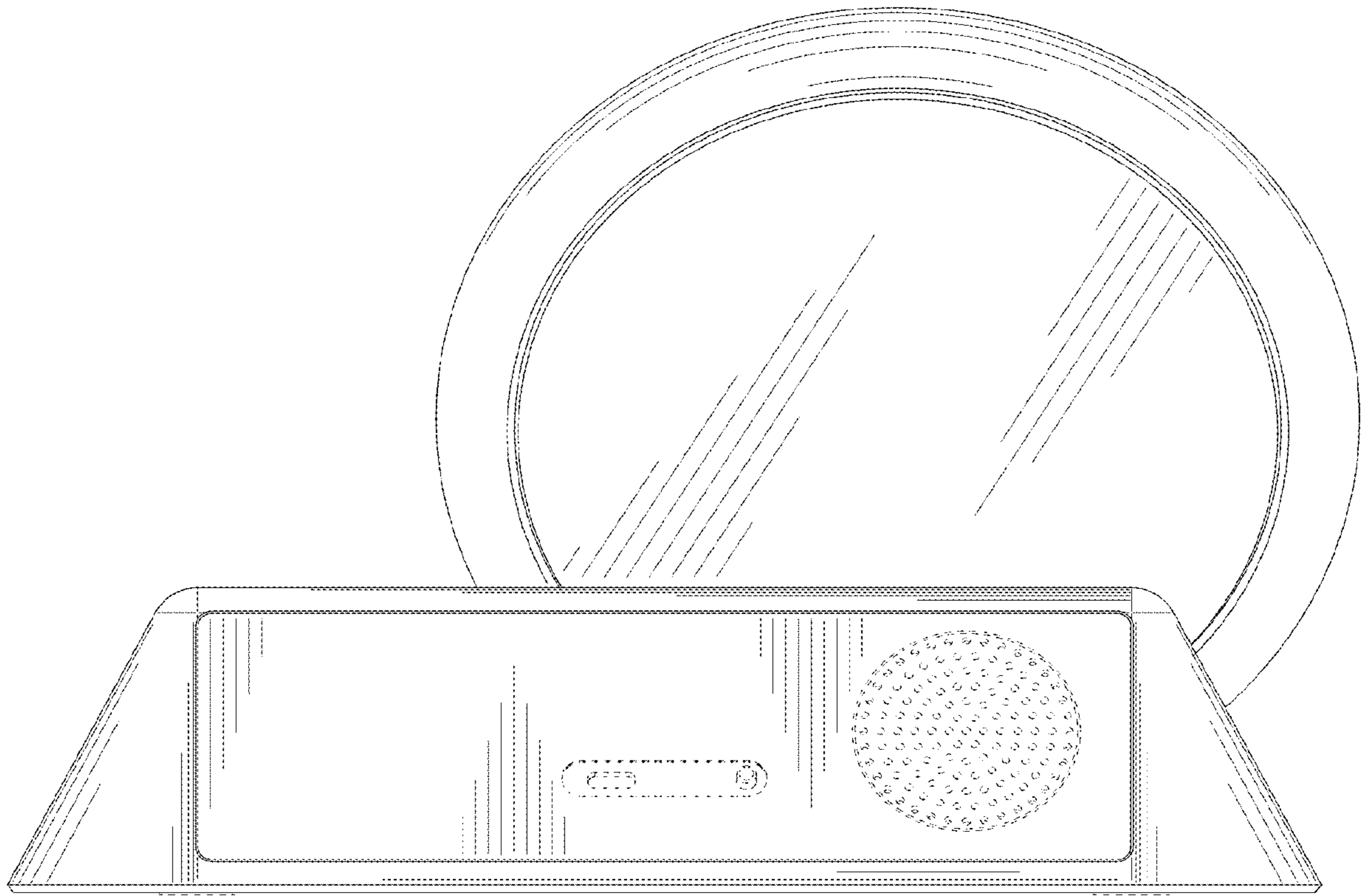


FIG. 4

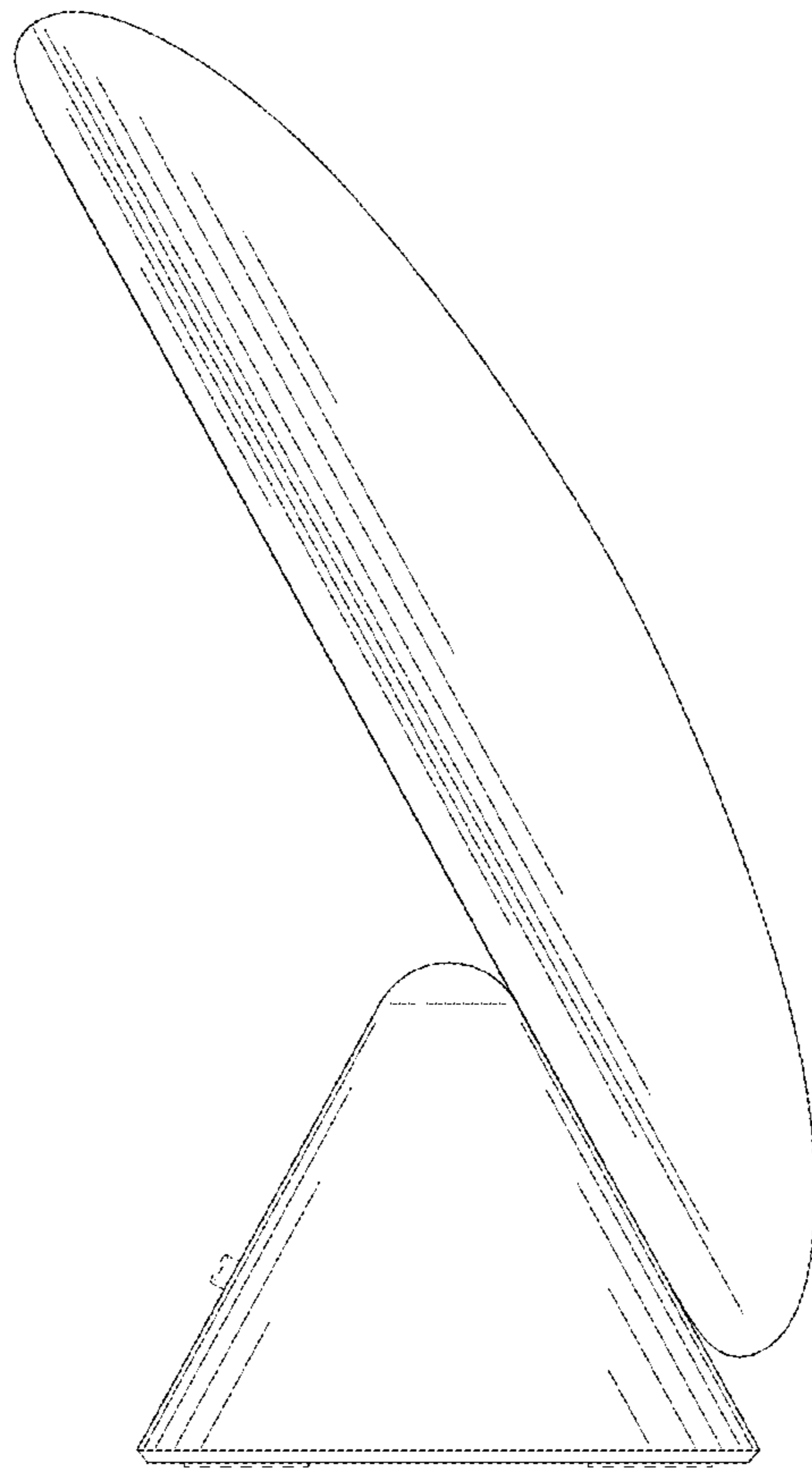


FIG. 5

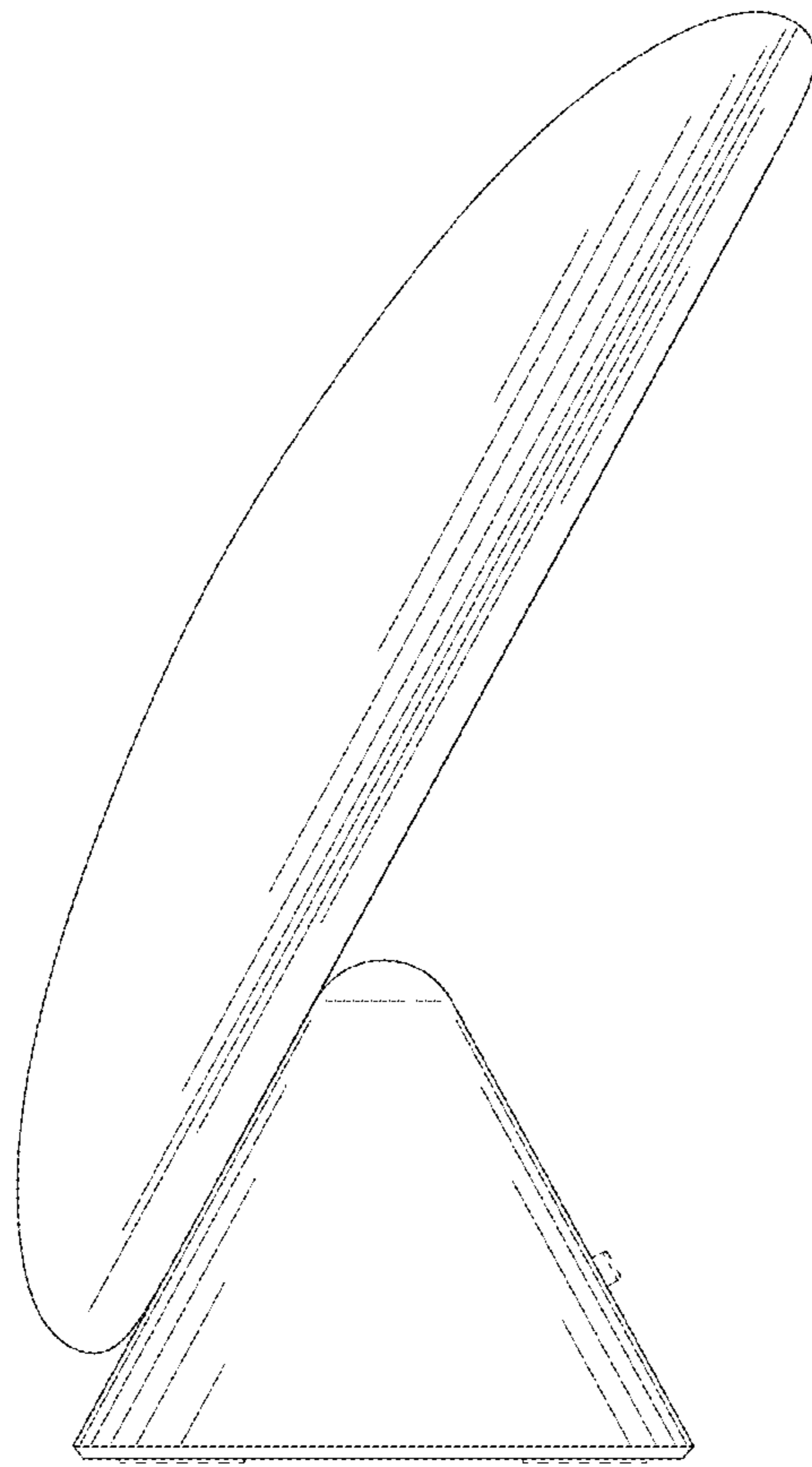


FIG. 6

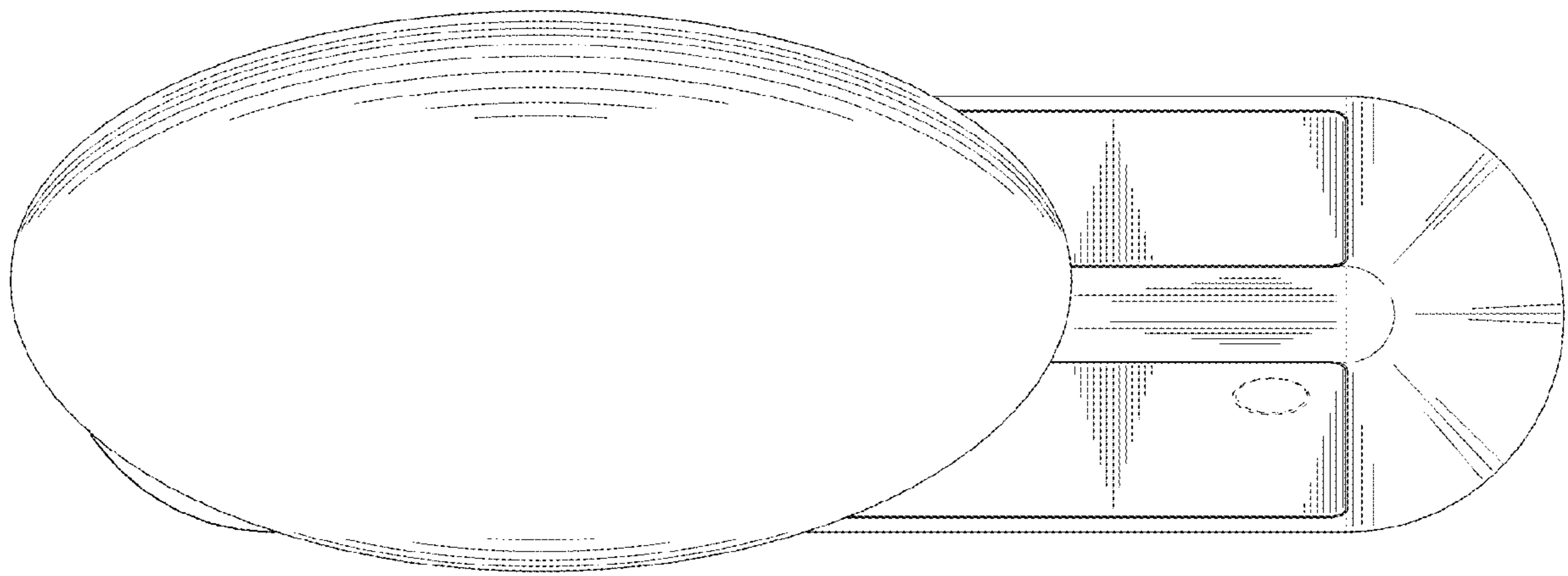


FIG. 7

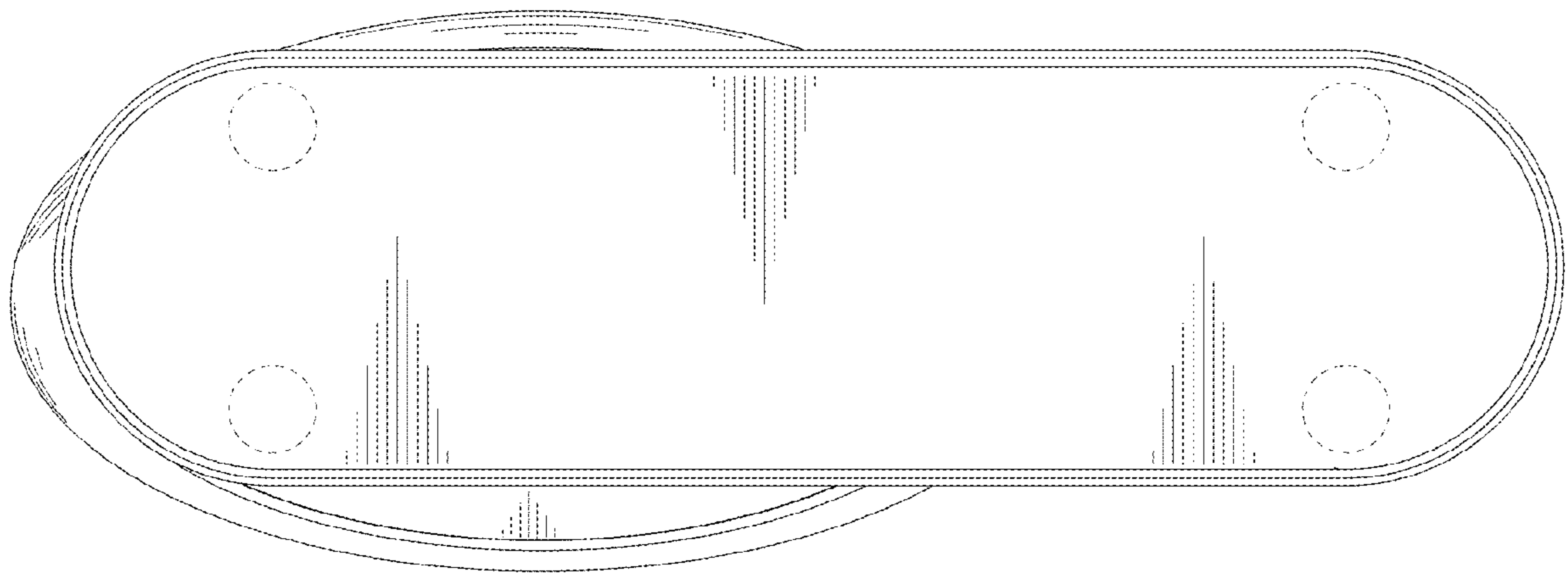


FIG. 8