



US00D981630S

(12) **United States Design Patent**  
**Zhou**

(10) **Patent No.:** **US D981,630 S**  
(45) **Date of Patent:** **\*\* Mar. 21, 2023**

(54) **WALL LAMP**

D930,885 S \* 9/2021 Cao ..... D26/86  
D945,680 S \* 3/2022 Esteve Cambra ..... D26/80  
D965,200 S \* 9/2022 Huang ..... D26/80

(71) Applicant: **Bangqin Zhou**, Shangrao (CN)

(72) Inventor: **Bangqin Zhou**, Shangrao (CN)

(\*\*) Term: **15 Years**

(21) Appl. No.: **29/850,854**

(22) Filed: **Aug. 24, 2022**

(51) **LOC (14) Cl.** ..... **26-03**

(52) **U.S. Cl.**  
USPC ..... **D26/87; D26/80**

(58) **Field of Classification Search**  
USPC ..... D26/72, 80, 85, 86, 87, 92  
CPC .. F21S 8/033; F21S 8/035; F21S 8/036; F21S  
8/046  
See application file for complete search history.

(56) **References Cited**

**U.S. PATENT DOCUMENTS**

D294,739 S *	3/1988	Joerger	.....	D26/87
D384,764 S *	10/1997	Littman	.....	D26/87
D413,998 S *	9/1999	Littman	.....	D26/87
D487,814 S *	3/2004	Hoernig	.....	D26/92
D674,953 S *	1/2013	Sonneman	.....	D26/86
D838,402 S *	1/2019	Sonneman	.....	D26/86
D853,014 S	7/2019	Pan		
D854,728 S *	7/2019	Velez	.....	D26/85
D861,953 S	10/2019	Deng		
D863,648 S *	10/2019	Amato	.....	D26/87
D866,843 S *	11/2019	Benghozi	.....	D26/87
D867,646 S	11/2019	Flindt		
D893,082 S *	8/2020	Amato	.....	D26/80

**OTHER PUBLICATIONS**

Metwet Bathroom Vanity Light Fixture, ASIN: B09VGNBJ6L. Available from amazon.com Mar. 14, 2022. (Year: 2022).\*  
Elk Home Long Double Cylinder Bath Vanity Light, MFR ID: BV821-10-15. Available from lightology.com as early as Aug. 10, 2016. (Year: 2016).\*  
BOXU—LED Bathroom Vanity Light, ASIN: B09V4VSH8G. Available from amazon.com Mar. 9, 2022. (Year: 2022).\*  
OIYIO Modern Plug in Wall Sconce, ASIN: B0B5GM1M7P. Available from amazon.com Jun. 30, 2022. (Year: 2022).\*

\* cited by examiner

*Primary Examiner* — Clare E Heflin

(74) *Attorney, Agent, or Firm* — Rumit Ranjit Kanakia

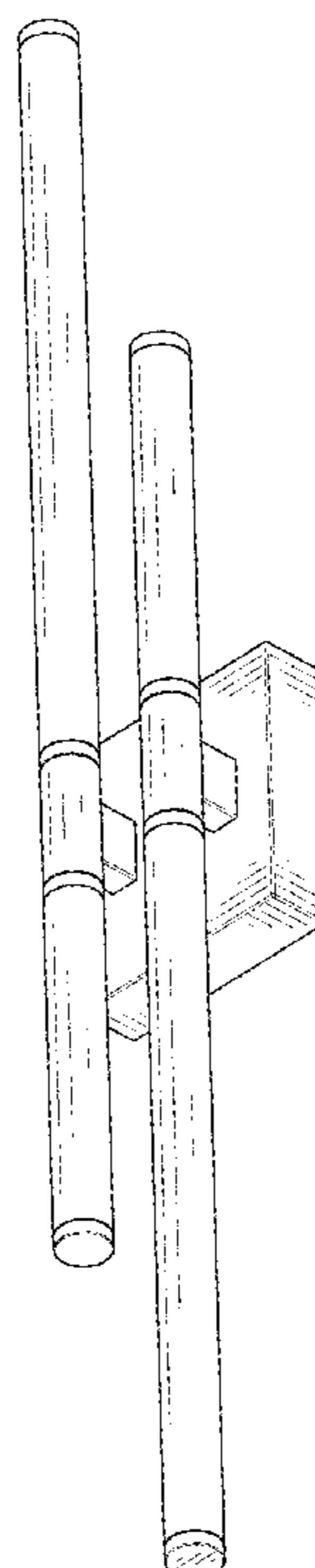
(57) **CLAIM**

The ornamental design for a wall lamp, as shown and described.

**DESCRIPTION**

FIG. 1 is a first perspective view of a wall lamp showing my new design;  
FIG. 2 is a second perspective view thereof;  
FIG. 3 is a front view thereof;  
FIG. 4 is a back view thereof;  
FIG. 5 is a left side view thereof;  
FIG. 6 is a right side view thereof;  
FIG. 7 is a top view thereof; and,  
FIG. 8 is a bottom view thereof.

**1 Claim, 8 Drawing Sheets**



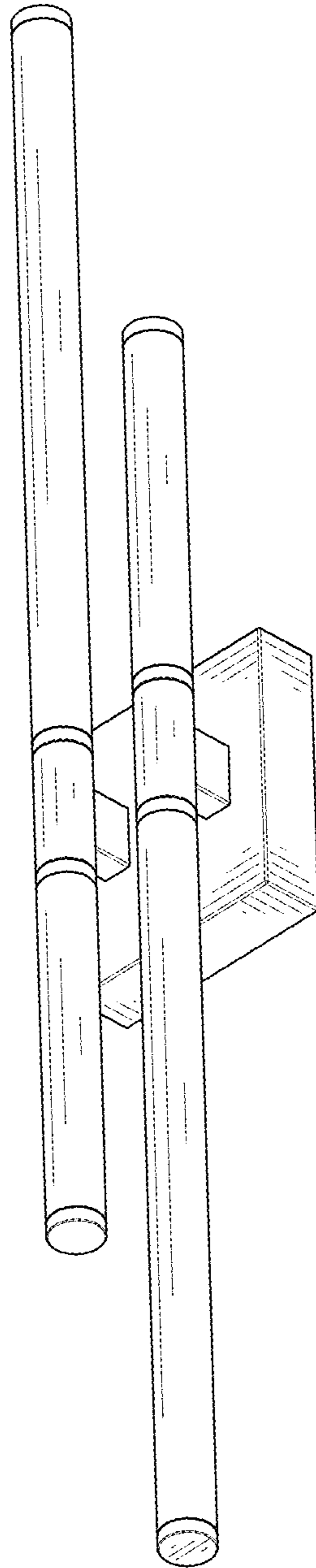


FIG. 1

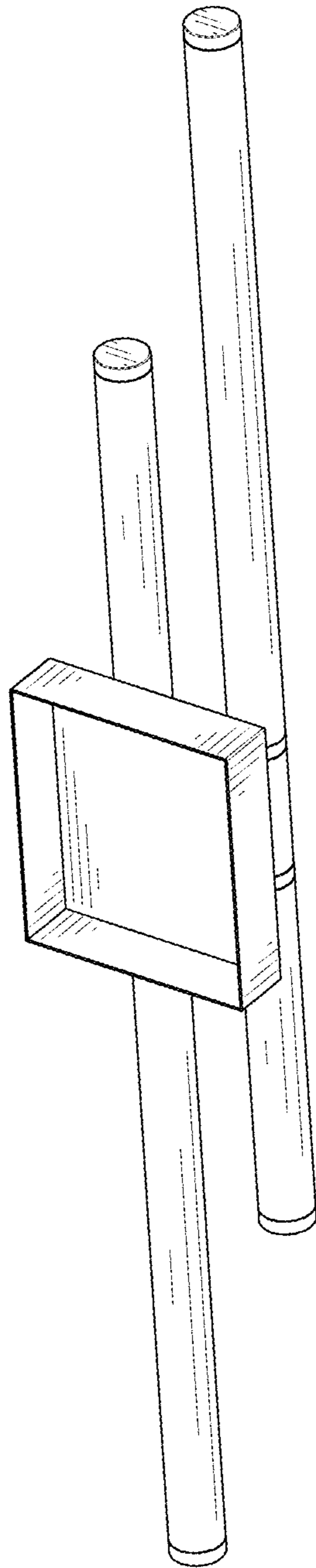


FIG. 2

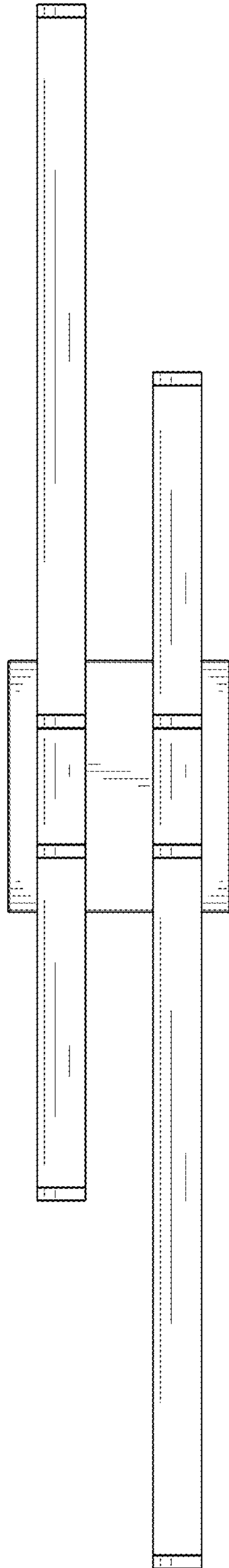


FIG. 3

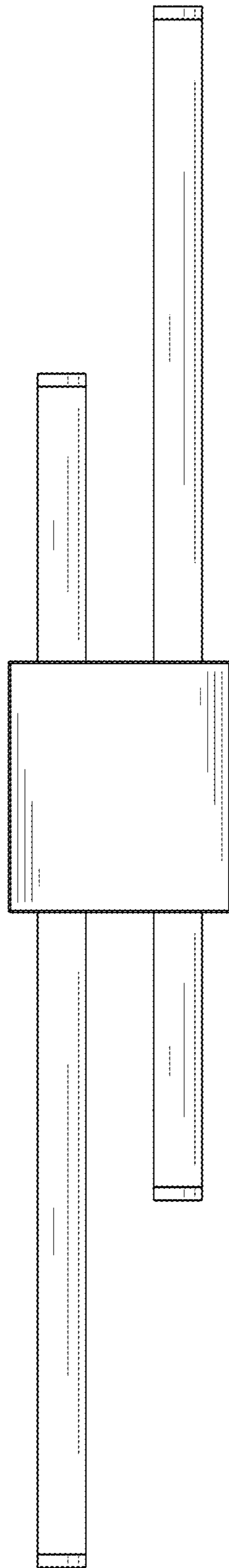


FIG. 4

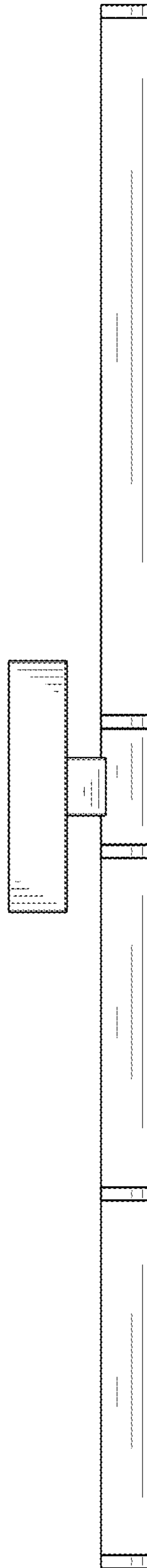


FIG. 5

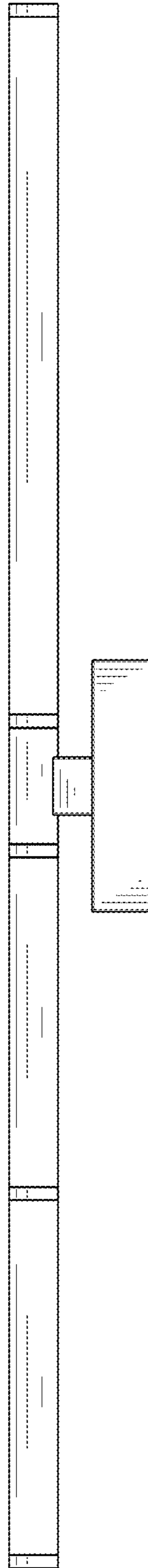


FIG. 6

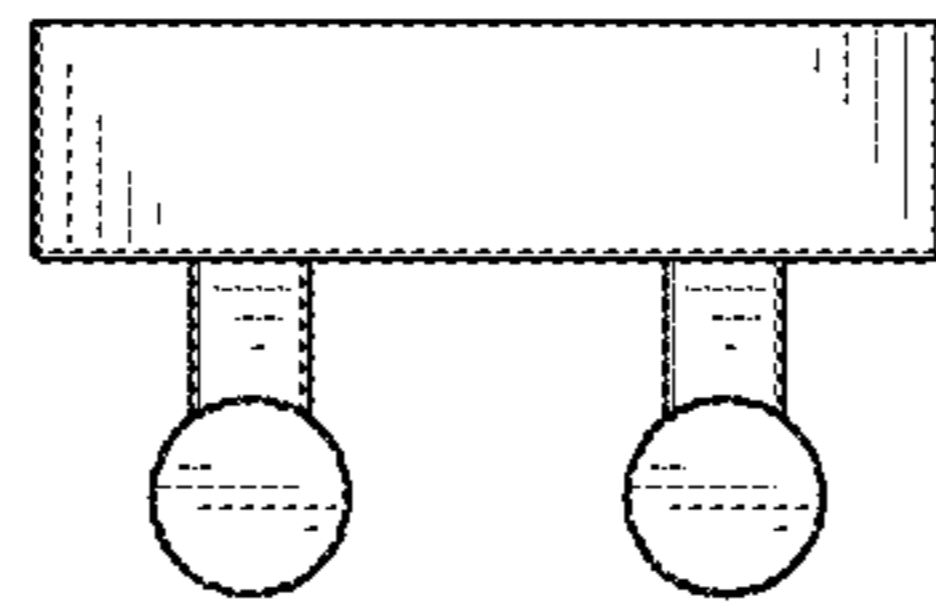


FIG. 7



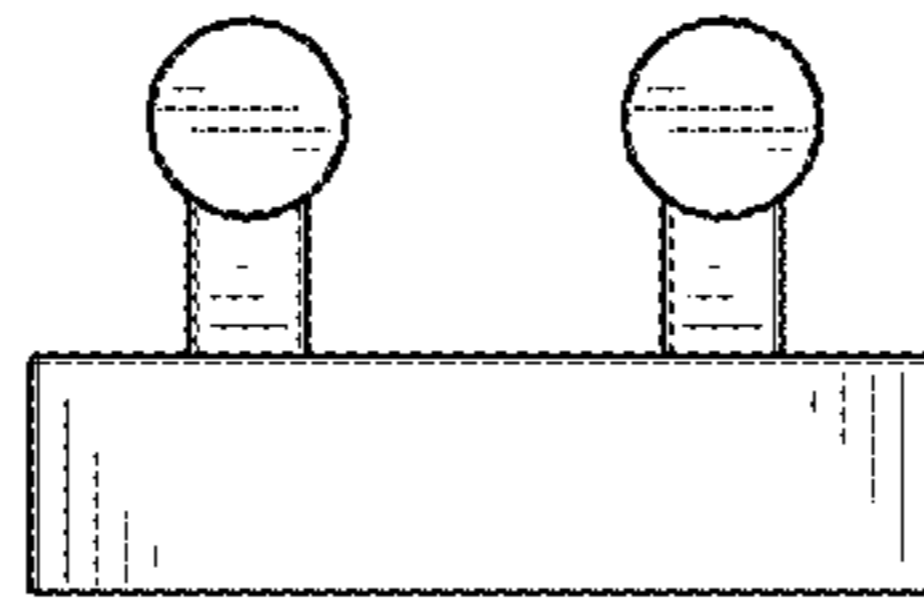


FIG. 8