



US00D981629S

(12) **United States Design Patent**
Zhao

(10) **Patent No.:** **US D981,629 S**
(45) **Date of Patent:** **** Mar. 21, 2023**

(54) **LED LAMP**

(71) Applicant: **De-Power Lighting & Electric Equipment Co., Ltd.**, Guangdong (CN)

(72) Inventor: **Jianjun Zhao**, Guangdong (CN)

(73) Assignee: **De-Power Lighting & Electric Equipment Co., Ltd.**, Guangdong (GN)

(**) Term: **15 Years**

(21) Appl. No.: **29/779,931**

(22) Filed: **Apr. 21, 2021**

(51) **LOC (14) Cl.** **26-04**

(52) **U.S. Cl.**
USPC **D26/78**

(58) **Field of Classification Search**

USPC D26/72-79, 85, 118; 362/223
CPC F21V 17/00; F21S 8/04; F21S 4/28; F21Y
2103/00; A01G 7/045; A01G 9/249
See application file for complete search history.

(56) **References Cited**

U.S. PATENT DOCUMENTS

D447,266 S *	8/2001	Verfuertth	D26/76
D756,016 S *	5/2016	Hargreaves	D26/79
D817,535 S *	5/2018	Feng	D26/76
D818,626 S *	5/2018	Park	D26/76
D819,864 S *	6/2018	Deng	D26/76
D823,519 S *	7/2018	Adams	D26/76
D861,949 S *	10/2019	Hsu	D26/76
D889,024 S *	6/2020	Deng	D26/118
D923,849 S *	6/2021	Yan	D26/76

FOREIGN PATENT DOCUMENTS

CN	305710357	*	4/2020
CN	305923370	*	7/2020

OTHER PUBLICATIONS

LED Full Spectrum Indoor Grow Strip Light, available in LIGHTUP.com, customer review oldest date Dec. 1, 2018 [online], [site visited

Oct. 18, 2022], Available from the internet URL: <https://www.lightup.com/led-full-spectrum-indoor-grow-strip-light-300w-mars-hydro.html> (Year: 2018).*

* cited by examiner

Primary Examiner — Kathleen L Jones

Assistant Examiner — Jasmine L. Comedy

(74) *Attorney, Agent, or Firm* — ScienBiziP, P.C.

(57) **CLAIM**

The ornamental design for a LED lamp, as shown and described.

DESCRIPTION

FIG. 1 is a front, right, and top perspective view of a LED lamp, showing my design.

FIG. 2 is a rear, left, and bottom perspective view thereof.

FIG. 3 is a right side elevation view thereof.

FIG. 4 is a left side elevation view thereof.

FIG. 5 is a top plan view thereof.

FIG. 6 is a bottom plan view thereof.

FIG. 7 is a front elevation view thereof.

FIG. 8 is a rear elevation view thereof.

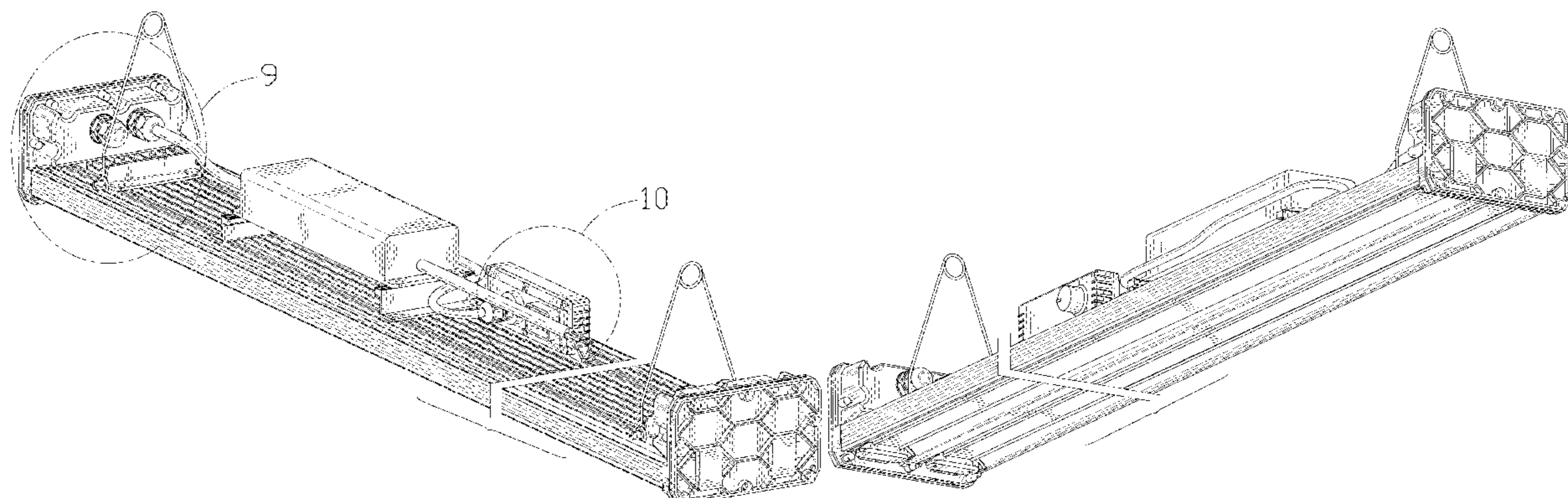
FIG. 9 is a partial enlarged view of an area labeled 9 in FIG. 1; and,

FIG. 10 is a partial enlarged view of an area labeled 10 in FIG. 1.

The evenly spaced broken lines shown in the drawings are included for the purpose of illustrating portions of the LED lamp that form no part of the claimed design. The unevenly spaced broken lines in FIGS. 1, 9 and 10 indicate the outer limits of areas shown enlarged and form no part of the claimed design.

The drawings contain symbolic break lines in FIGS. 1-4 and 7-8. The portion between the break lines forms no part of the claimed design.

1 Claim, 10 Drawing Sheets



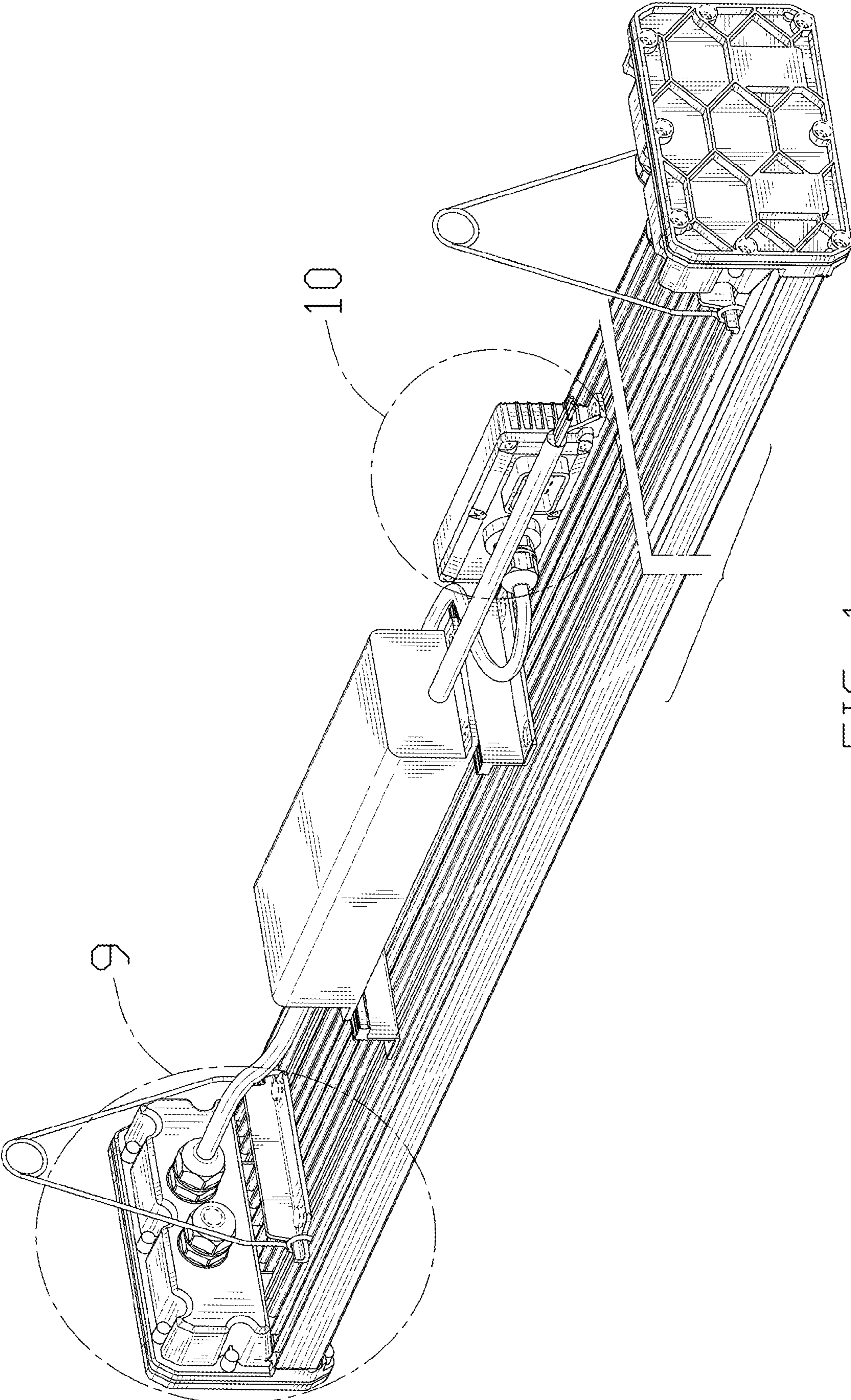


FIG. 1

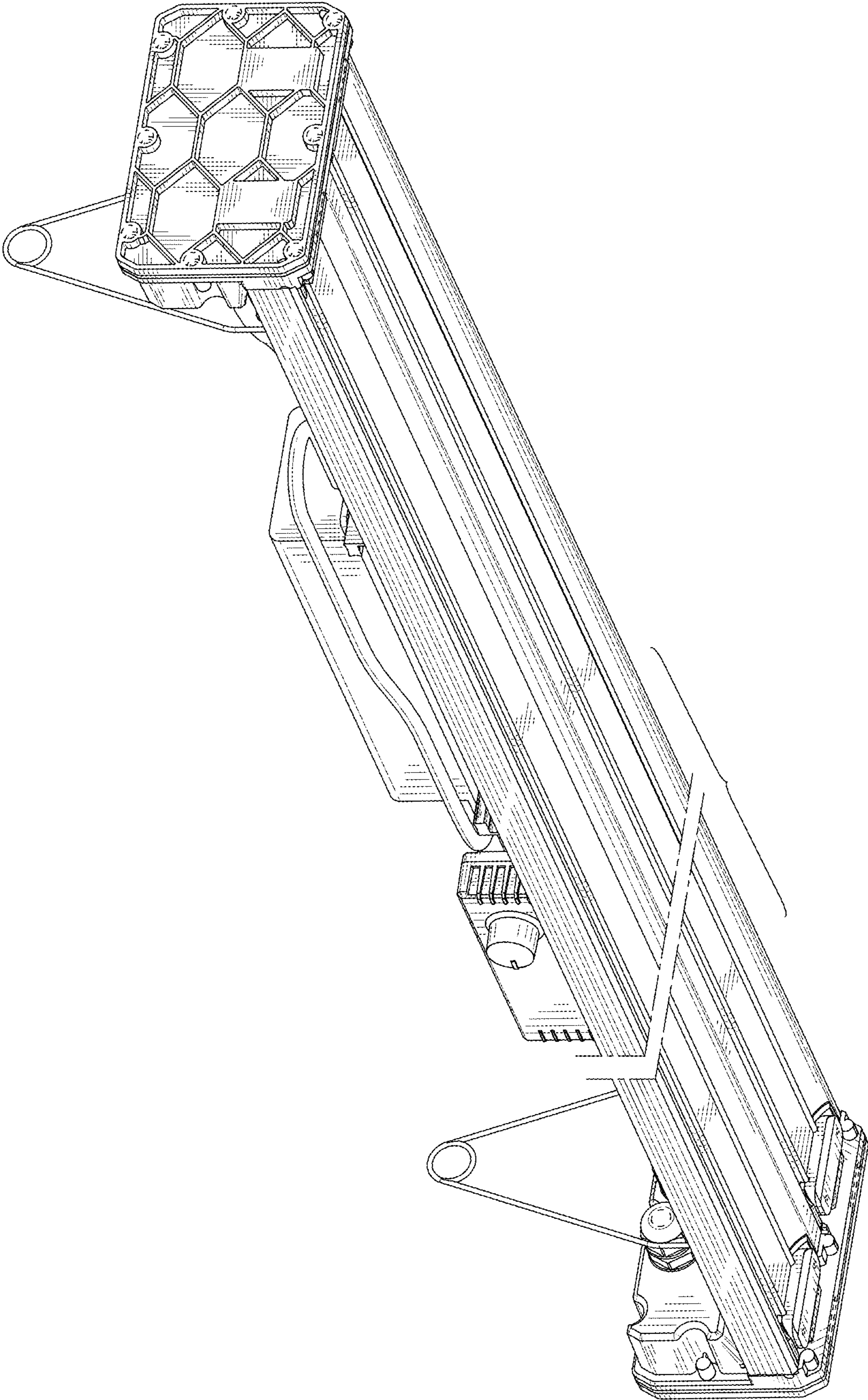


FIG. 2

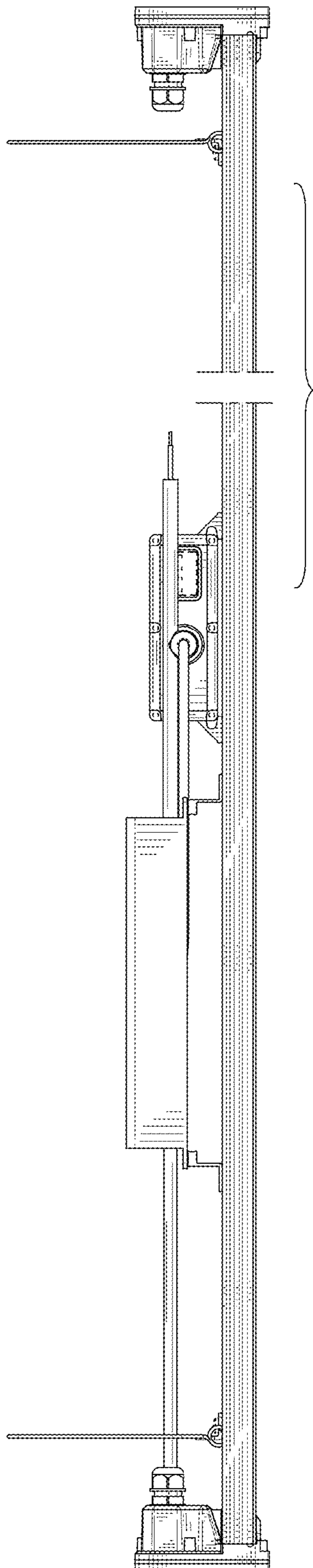


FIG. 3

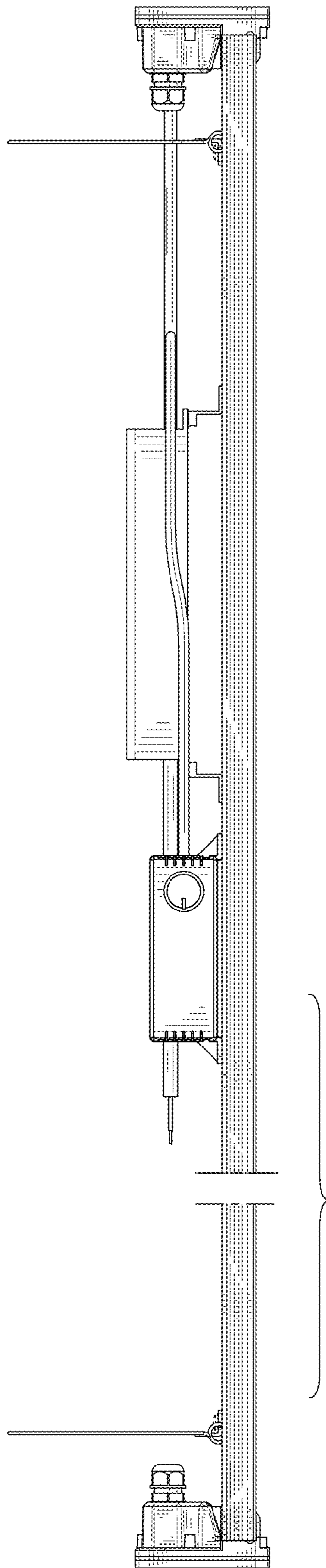


FIG. 4

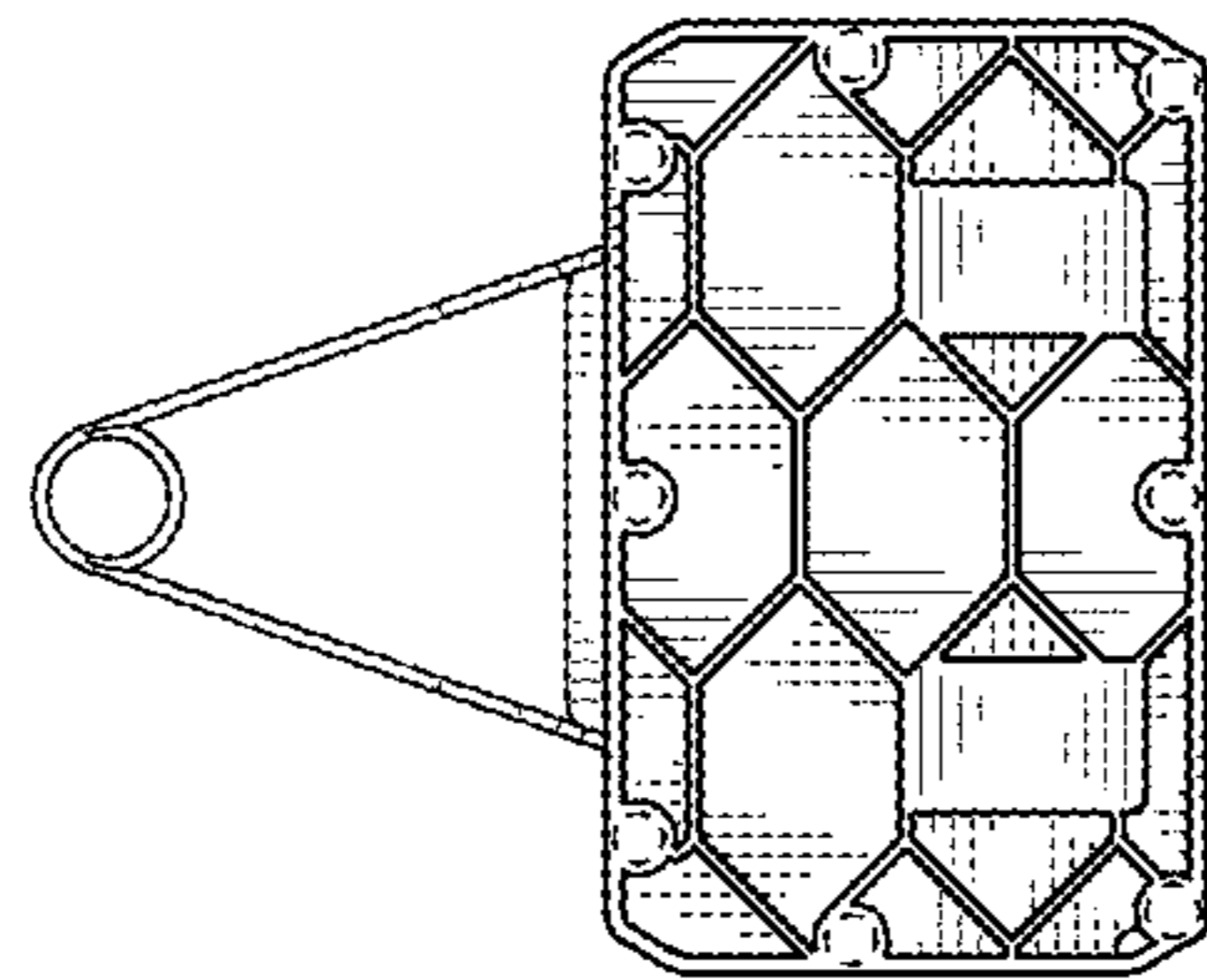


FIG. 5

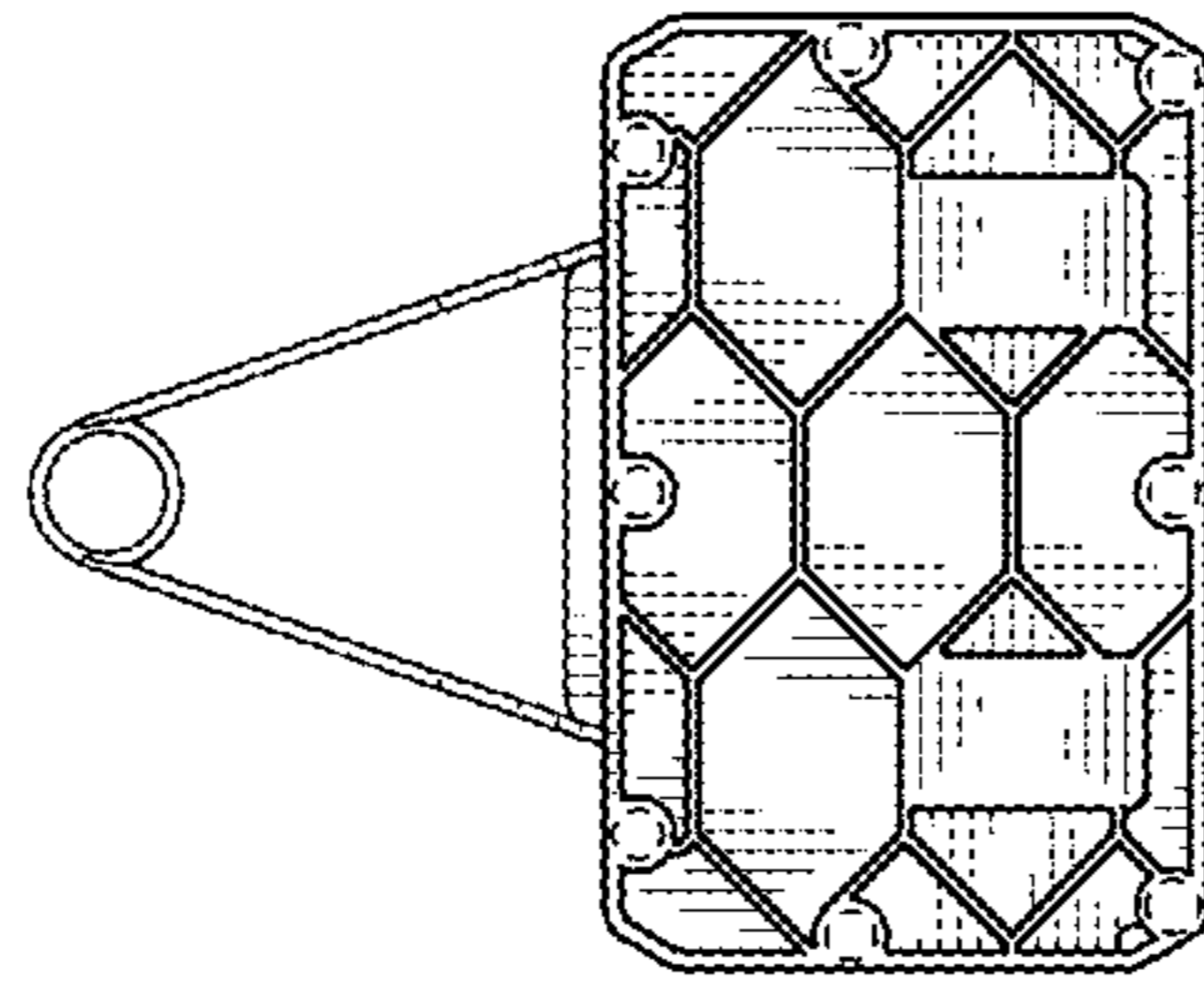


FIG. 6

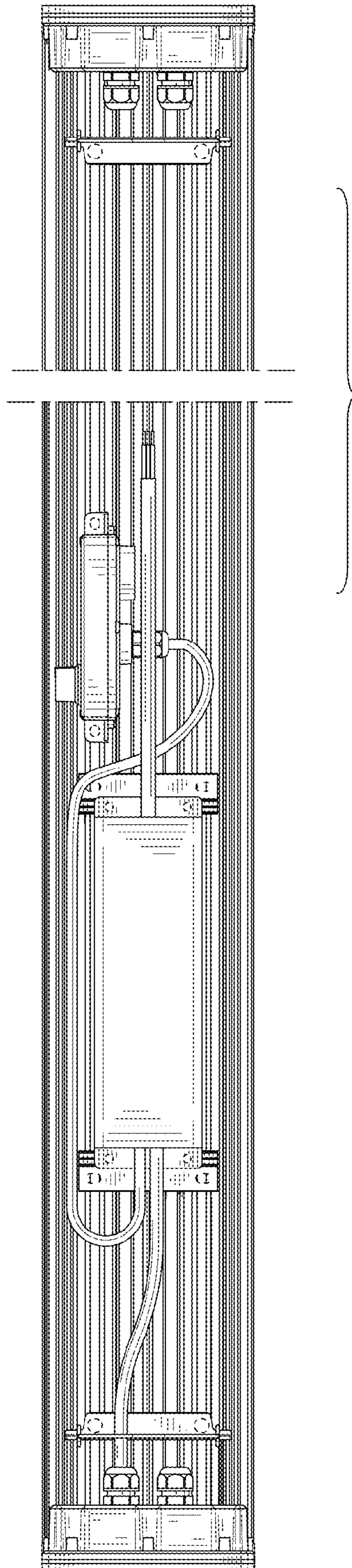


FIG. 7

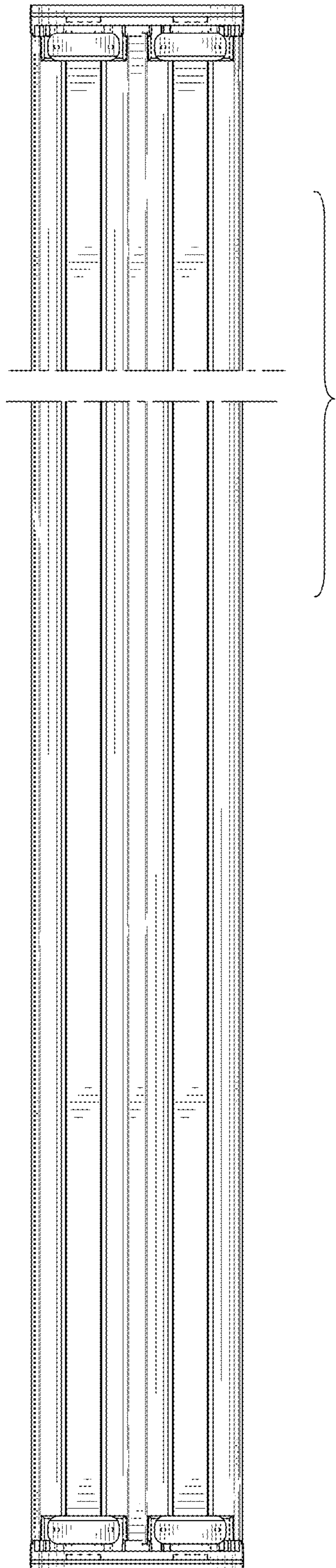


FIG. 8

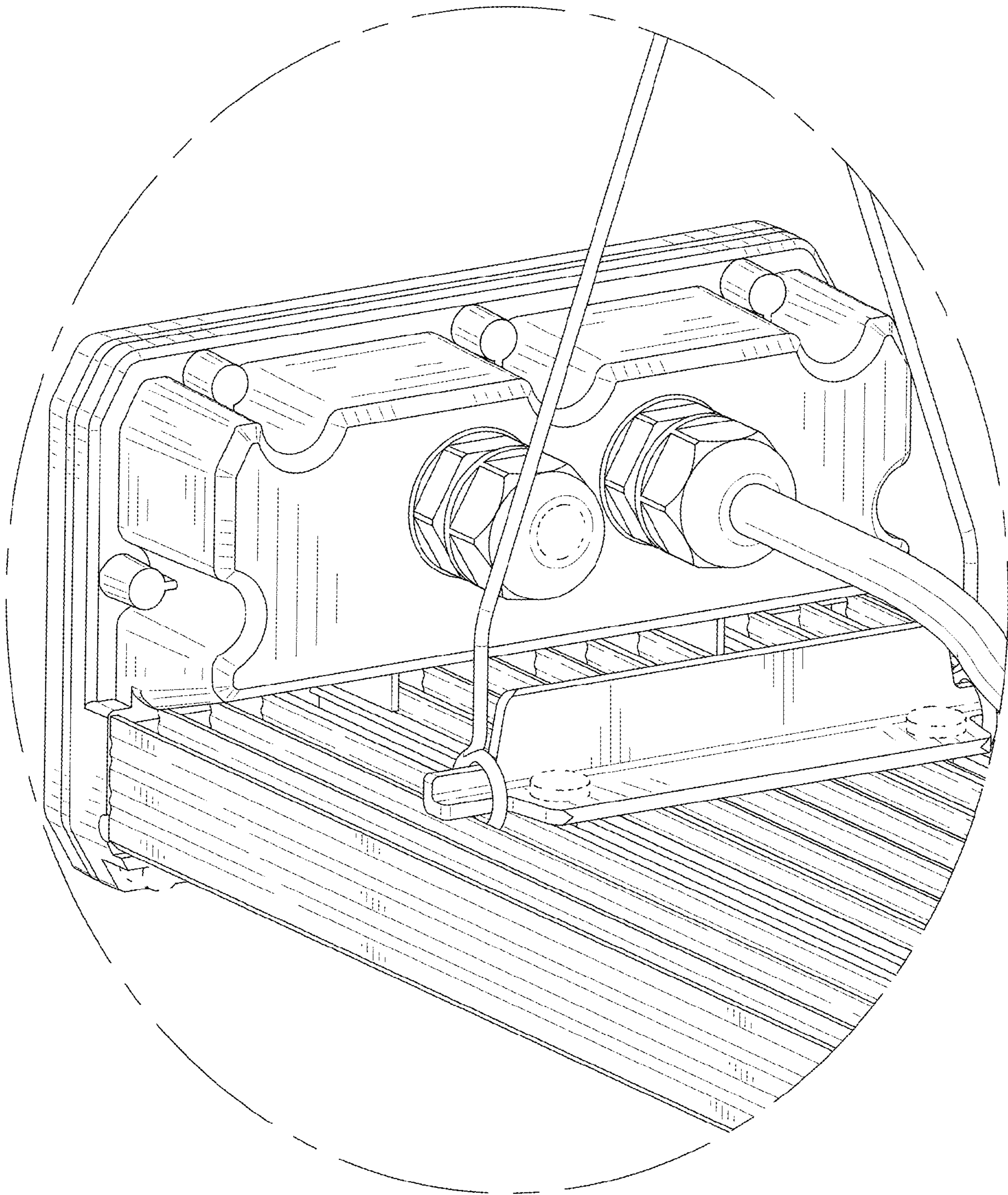


FIG. 9

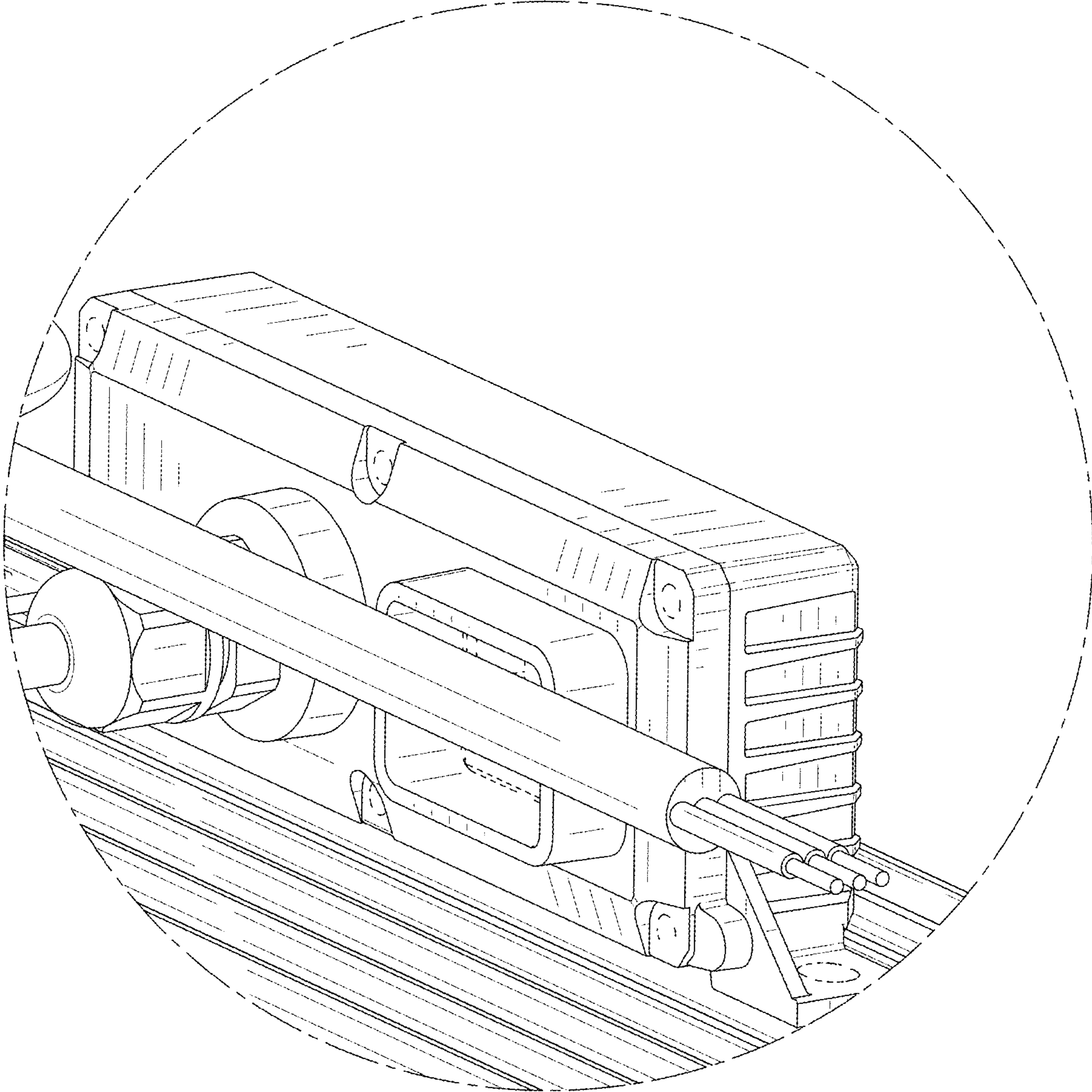


FIG. 10