



US00D981627S

(12) **United States Design Patent**  
**Pan et al.**

(10) **Patent No.:** **US D981,627 S**  
(45) **Date of Patent:** **\*\* Mar. 21, 2023**

(54) **LIGHT ASSEMBLY**

(71) Applicant: **Shenzhen Intellirocks Tech Co., Ltd.**,  
Shenzhen (CN)

(72) Inventors: **Jinyu Pan**, Shenzhen (CN); **Wenlong Wu**, Shenzhen (CN)

(73) Assignee: **Shenzhen Intellirocks Tech Co., Ltd.**,  
Shenzhen (CN)

(\*\*) Term: **15 Years**

(21) Appl. No.: **29/778,421**

(22) Filed: **Apr. 13, 2021**

(51) **LOC (14) Cl.** ..... **26-05**

(52) **U.S. Cl.**  
USPC ..... **D26/72**

(58) **Field of Classification Search**  
USPC ..... D26/24, 25, 27, 60, 72, 113, 138, 152;  
D25/102, 119; D13/147, 149, 168  
CPC ..... F21V 3/0625; F21V 15/01; F21V 17/164;  
F21V 21/005; F21V 23/06; F21W  
2131/405  
See application file for complete search history.

(56) **References Cited**

**U.S. PATENT DOCUMENTS**

D439,183 S *	3/2001	Diller, Jr. ....	F21S 4/28 D26/28
D817,526 S *	5/2018	Shaeffer .....	F21V 17/02 D26/28
D829,368 S *	9/2018	Hynek .....	D26/138
D840,588 S *	2/2019	Shaeffer .....	F24C 15/008 D26/139
10,794,580 B1 *	10/2020	Su .....	F21S 4/28

11,060,711 B1 *	7/2021	Illouz .....	F21S 2/005
11,326,783 B2 *	5/2022	Reischmann .....	F24C 15/008
2014/0367704 A1 *	12/2014	Chieh .....	F21S 4/28 257/88
2016/0176336 A1 *	6/2016	Hoek .....	H05B 45/40 362/459
2016/0356466 A1 *	12/2016	Recor .....	F21S 6/005
2021/0372578 A1 *	12/2021	Lin .....	F21V 17/164
2022/0003366 A1 *	1/2022	Lee .....	F21S 4/28
2022/0057055 A1 *	2/2022	Findlay .....	F21V 17/02
2022/0136665 A1 *	5/2022	Furlaneto Filho ....	F21V 23/001 362/311.02

\* cited by examiner

*Primary Examiner* — Cary M Robinson

*Assistant Examiner* — Julie Marie Bailey

(74) *Attorney, Agent, or Firm* — ScienBiziP, P.C.

(57) **CLAIM**

The ornamental design for a light assembly, as shown and described.

**DESCRIPTION**

FIG. 1 is a front, right, and bottom perspective view of a light assembly, showing our design.

FIG. 2 is a rear, left, and bottom perspective view thereof.

FIG. 3 is a front elevation view thereof.

FIG. 4 is a rear elevation view thereof.

FIG. 5 is a left side elevation view thereof.

FIG. 6 is a right side elevation view thereof.

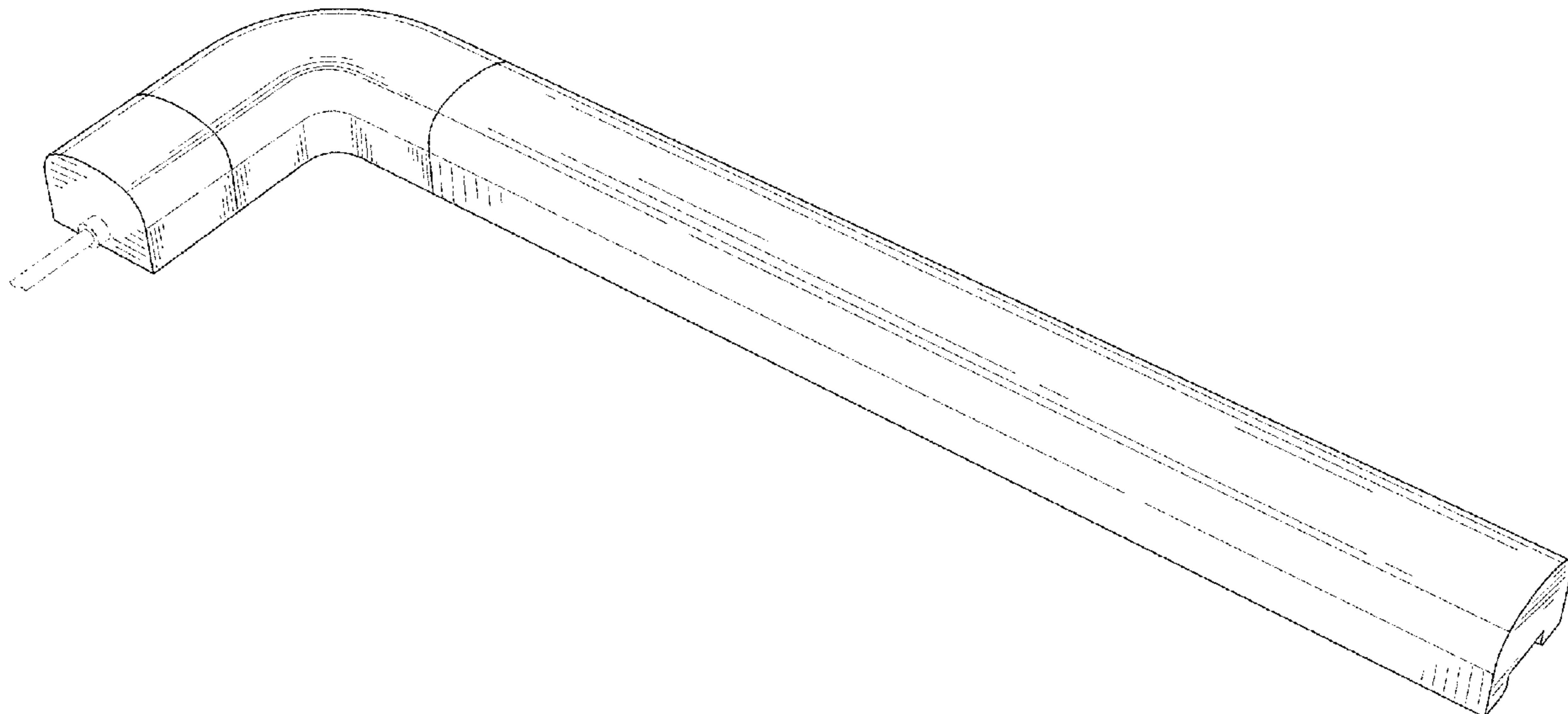
FIG. 7 is a top plan view thereof.

FIG. 8 is a bottom plan view thereof; and,

FIG. 9 is an exploded view thereof.

The broken lines shown in the drawings are included for the purpose of illustrating portions of the light assembly that form no part of the claimed design.

**1 Claim, 9 Drawing Sheets**



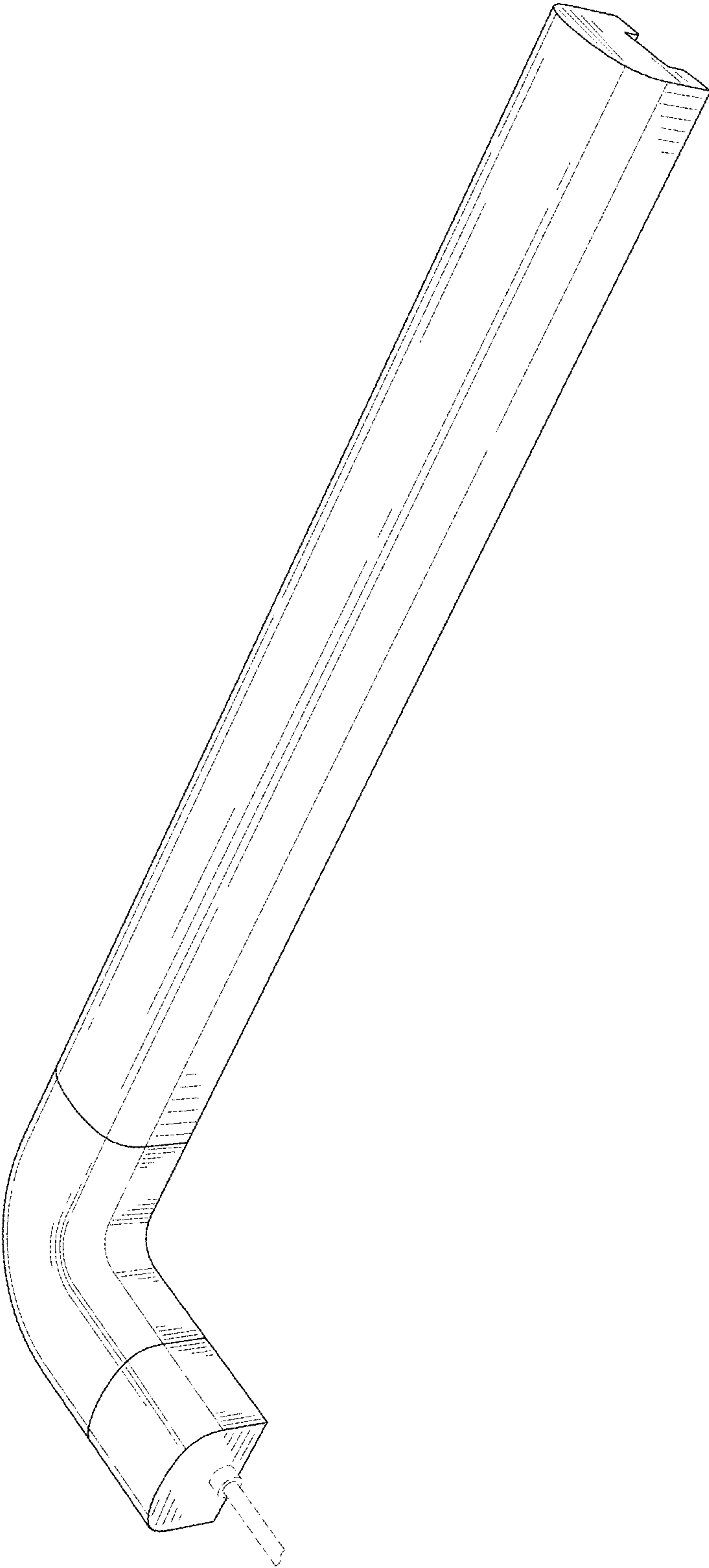


FIG. 1

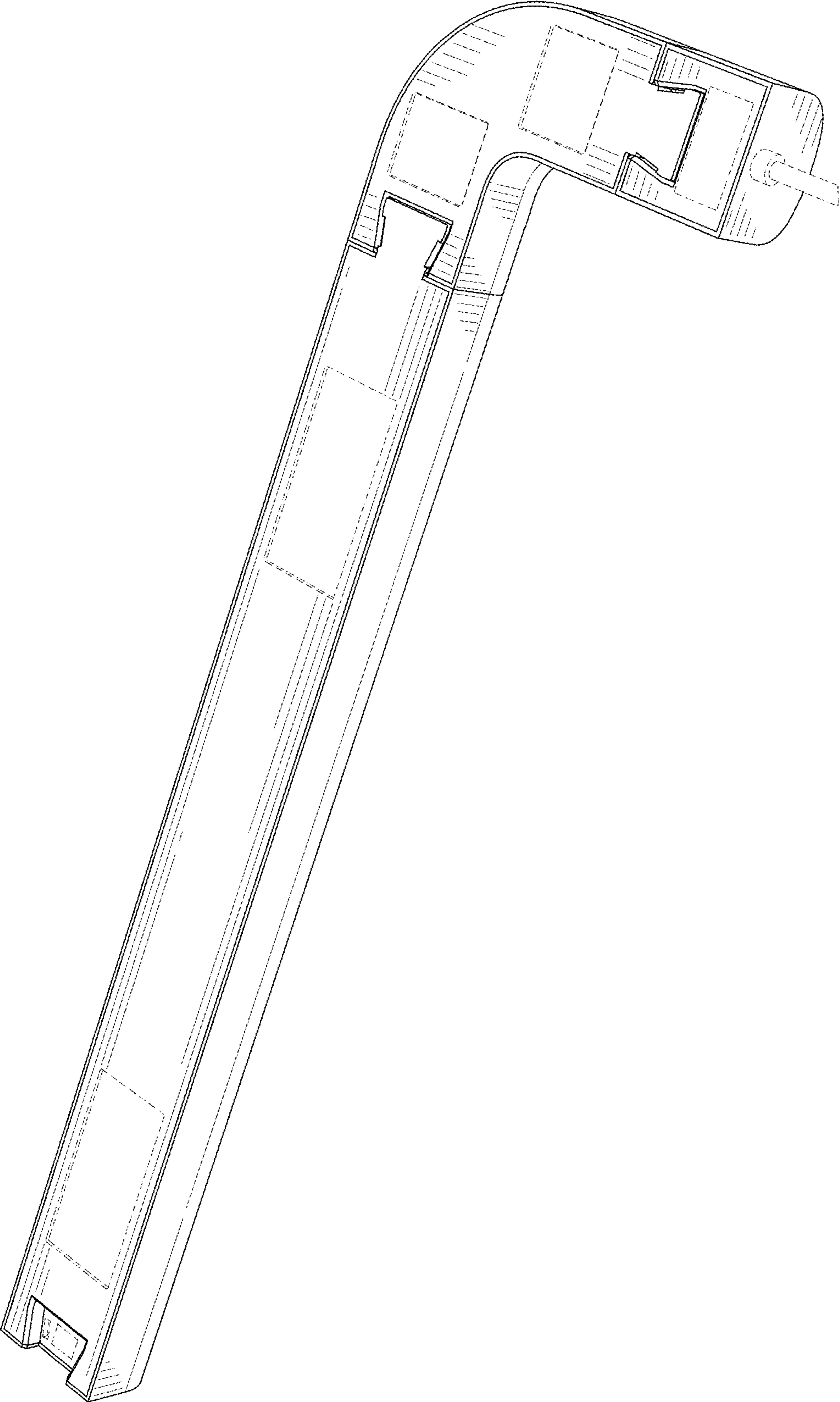


FIG. 2

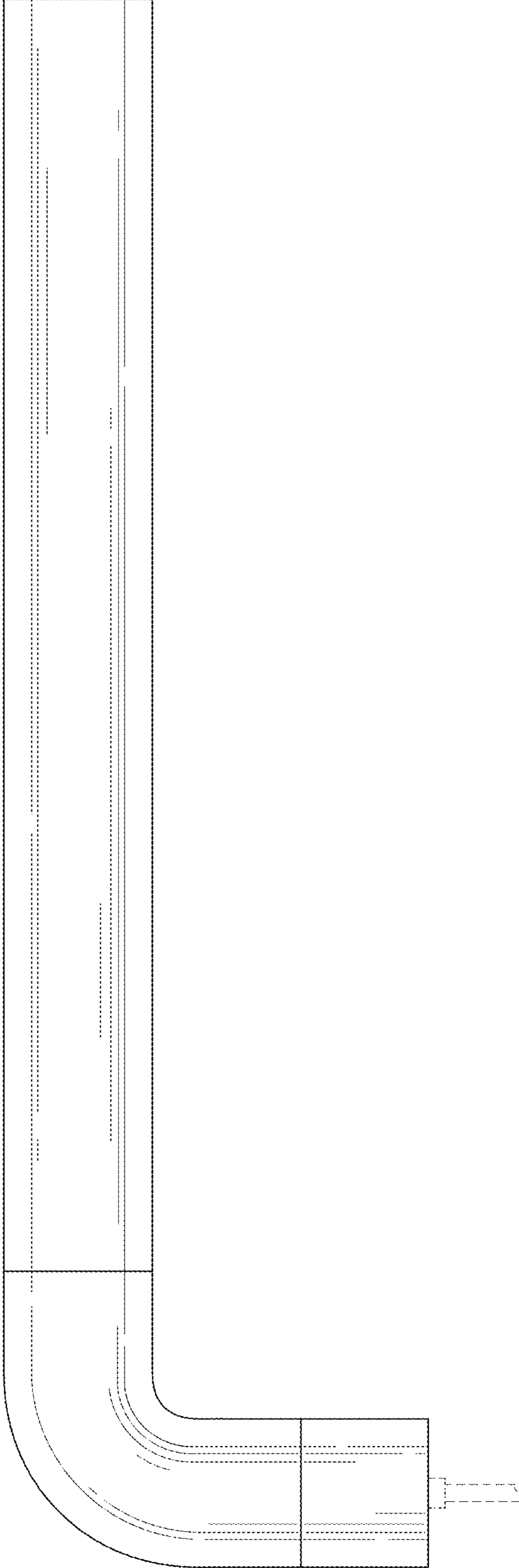


FIG. 3

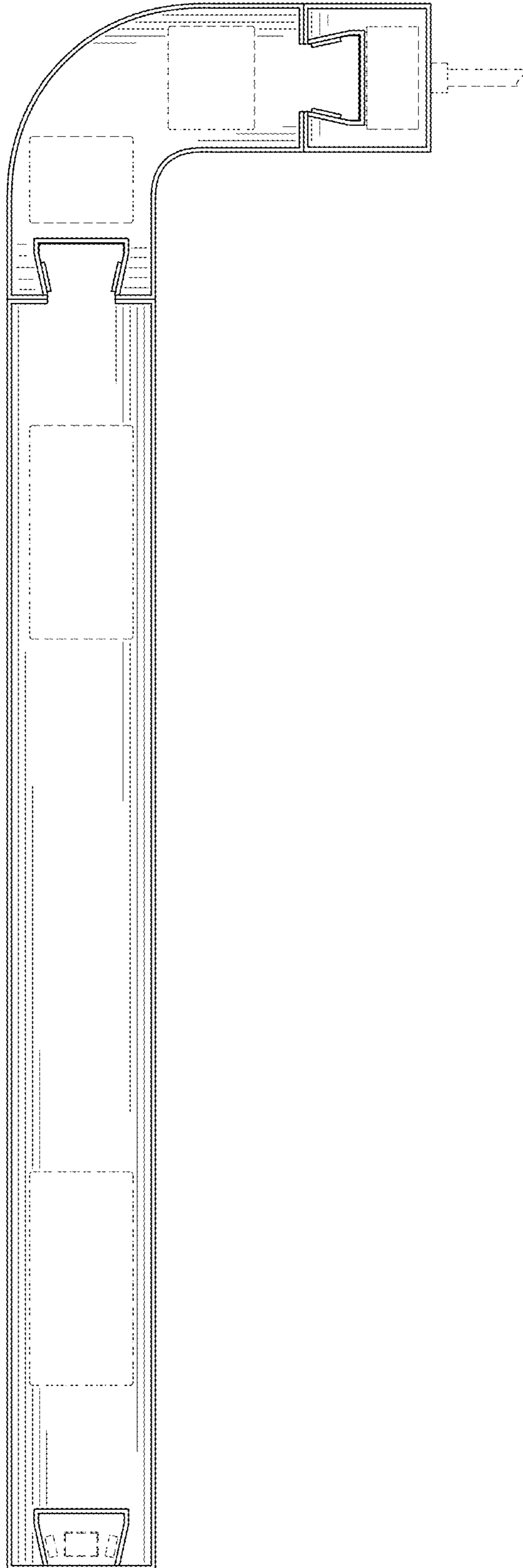


FIG. 4

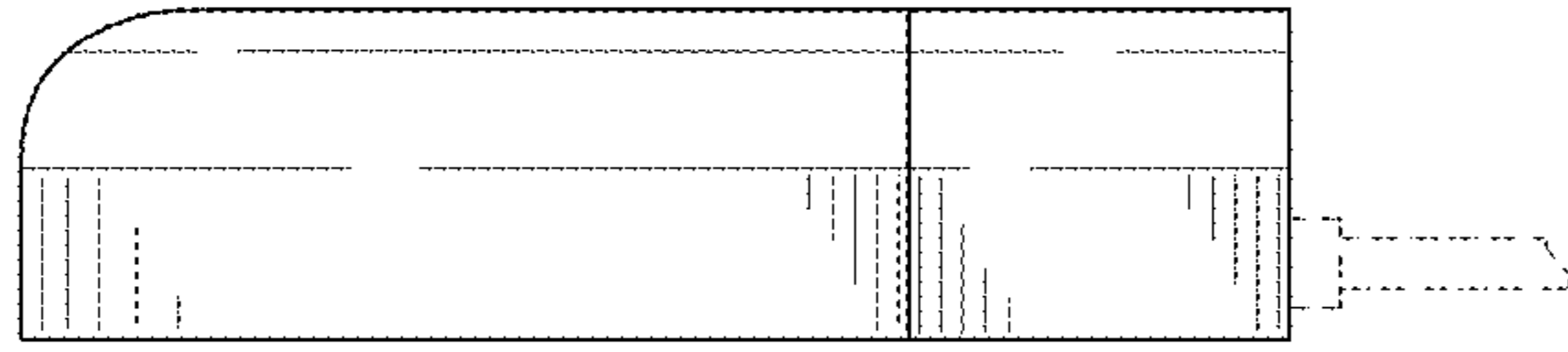


FIG. 5

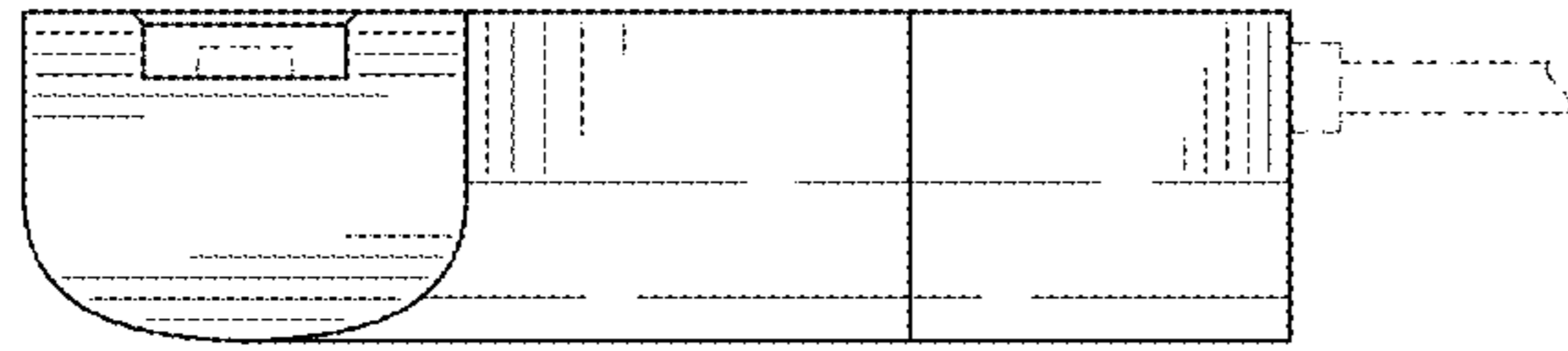


FIG. 6

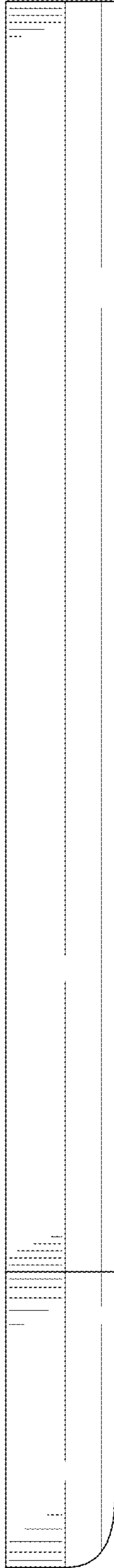


FIG. 7



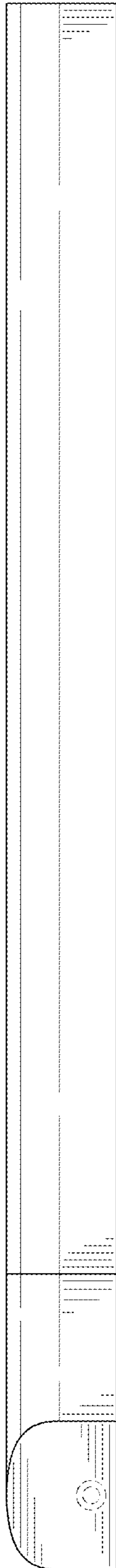


FIG. 8

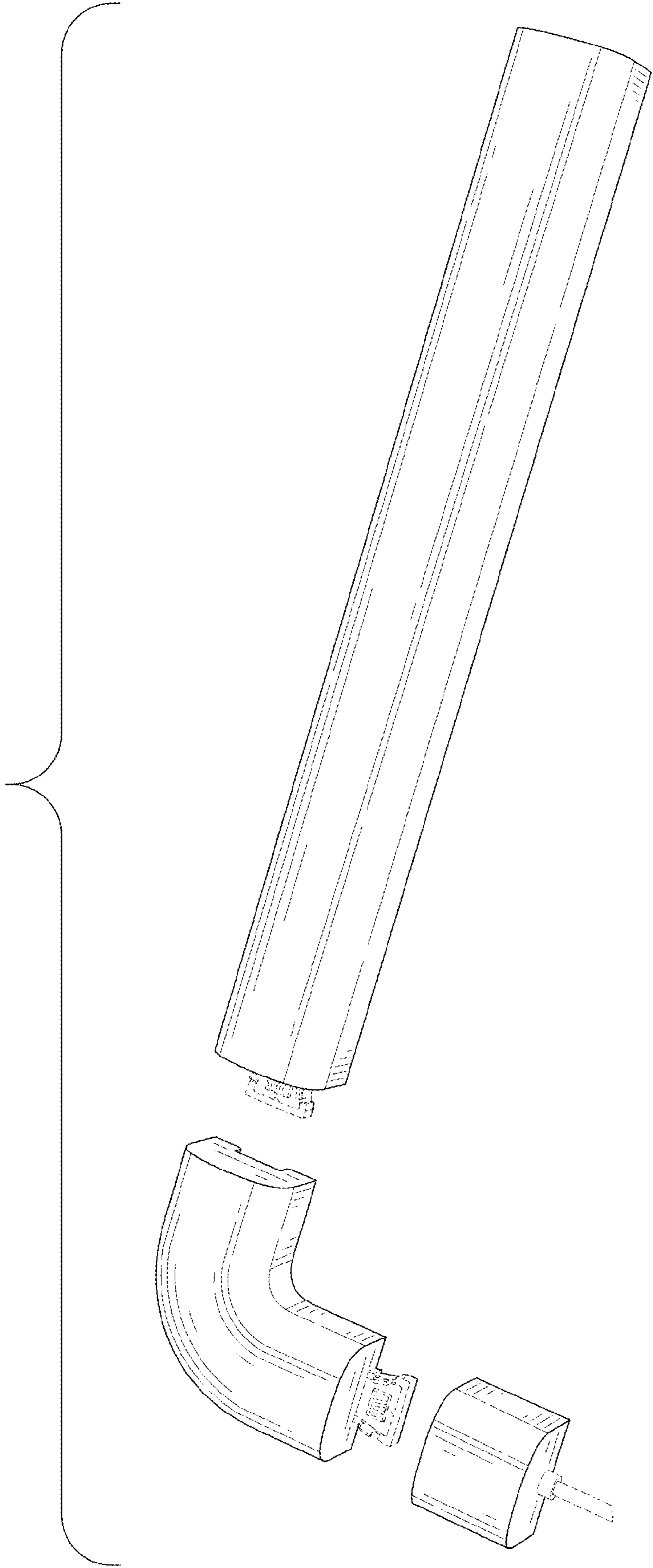


FIG. 9