



US00D981620S

(12) **United States Design Patent** (10) **Patent No.:** **US D981,620 S**
Hong (45) **Date of Patent:** **** Mar. 21, 2023**

(54) **WALL LAMP**

(71) Applicant: **Zhou Hong**, Linli (CN)

(72) Inventor: **Zhou Hong**, Linli (CN)

(**) Term: **15 Years**

(21) Appl. No.: **29/846,315**

(22) Filed: **Jul. 15, 2022**

(51) **LOC (14) Cl.** **26-05**

(52) **U.S. Cl.**

USPC **D26/63**; D26/93; D26/138

(58) **Field of Classification Search**

USPC D26/1, 2, 28, 61-66, 69, 71, 72, 73, 74, D26/76, 78-83, 85, 86, 88, 90, 92, 93, D26/107, 111, 113, 118, 119, 120-124, D26/128-130, 138-142, 145, 152, 153, D26/155; D13/134, 179, 180; D8/307, D8/310, 378, 380; D23/250-257, 259, D23/260, 262, 263, 377, 411; D6/307, D6/310, 580, 581; D9/420, 424, 426, D9/504, 529, 552, 571, 574, 774, 776, D9/778; D34/1; D25/127, 129; D7/510, D7/523, 586; D21/478, 479

CPC F21S 2/00; F21S 4/00; F21S 4/003; F21S 4/005; F21S 4/006; F21S 4/007; F21S 4/008; F21S 6/00; F21S 8/00; F21S 8/024; F21S 8/026; F21S 8/031; F21S 8/033; F21S 8/035; F21S 8/036; F21S 8/037; F21S 8/04; F21S 8/043; F21S 8/063

See application file for complete search history.

(56) **References Cited**

U.S. PATENT DOCUMENTS

D40,215 S * 8/1909 Pitner D26/81
4,859,423 A * 8/1989 Perlman B65D 85/30
206/214
D311,438 S * 10/1990 Strignano D23/242
5,913,635 A * 6/1999 Graham A01G 25/06
405/51
D440,638 S * 4/2001 Lefroy-Brooks D23/262

D491,800 S * 6/2004 Palomino, Jr. D9/504
D556,355 S * 11/2007 Foster D26/63
D592,909 S * 5/2009 Alviar D7/510
D603,993 S * 11/2009 Sabernig D26/65
D610,729 S * 2/2010 Kushinskaya D26/63

(Continued)

OTHER PUBLICATIONS

ENCOMLI Plug in Wall Sconces. Date first available Jul. 12, 2022. Site visited Sep. 27, 2022. [https://www.amazon.com/dp/B0B6C316YS/ref=sspa_dk_detail_0?pd_rd_i=B0B6C91DTK&pd_rd_w=NDXcU&content-id=amzn1.sym.46bad5f6-1f0a-4167-9a8b-c8a82fa48a54&pf_rd_p=46bad5f6-1f0a-4167-9a8b-c8a82fa48a54&pf_rd_r=2XGP5F6THREKWPTBJ1MK&pd_rd_wg=ww10s&pd_rd_r=cc2f9c38-395b-4e89-9bc8-1e9636719cc8&s=hi&sp_csd=d2lkZ2V0TmFtZT1zcF9kZXRhaWw&th=1] (Year: 2022).*

(Continued)

Primary Examiner — Wendy L Arminio

Assistant Examiner — Maheen Khurshid

(74) *Attorney, Agent, or Firm* — Rumit Ranjit Kanakia

(57)

CLAIM

The ornamental design for a wall lamp, as shown and described.

DESCRIPTION

FIG. 1 is a first perspective view of a wall lamp showing my new design;

FIG. 2 is a second perspective view thereof;

FIG. 3 is a front view thereof;

FIG. 4 is a back view thereof;

FIG. 5 is a left side view thereof;

FIG. 6 is a right side view thereof;

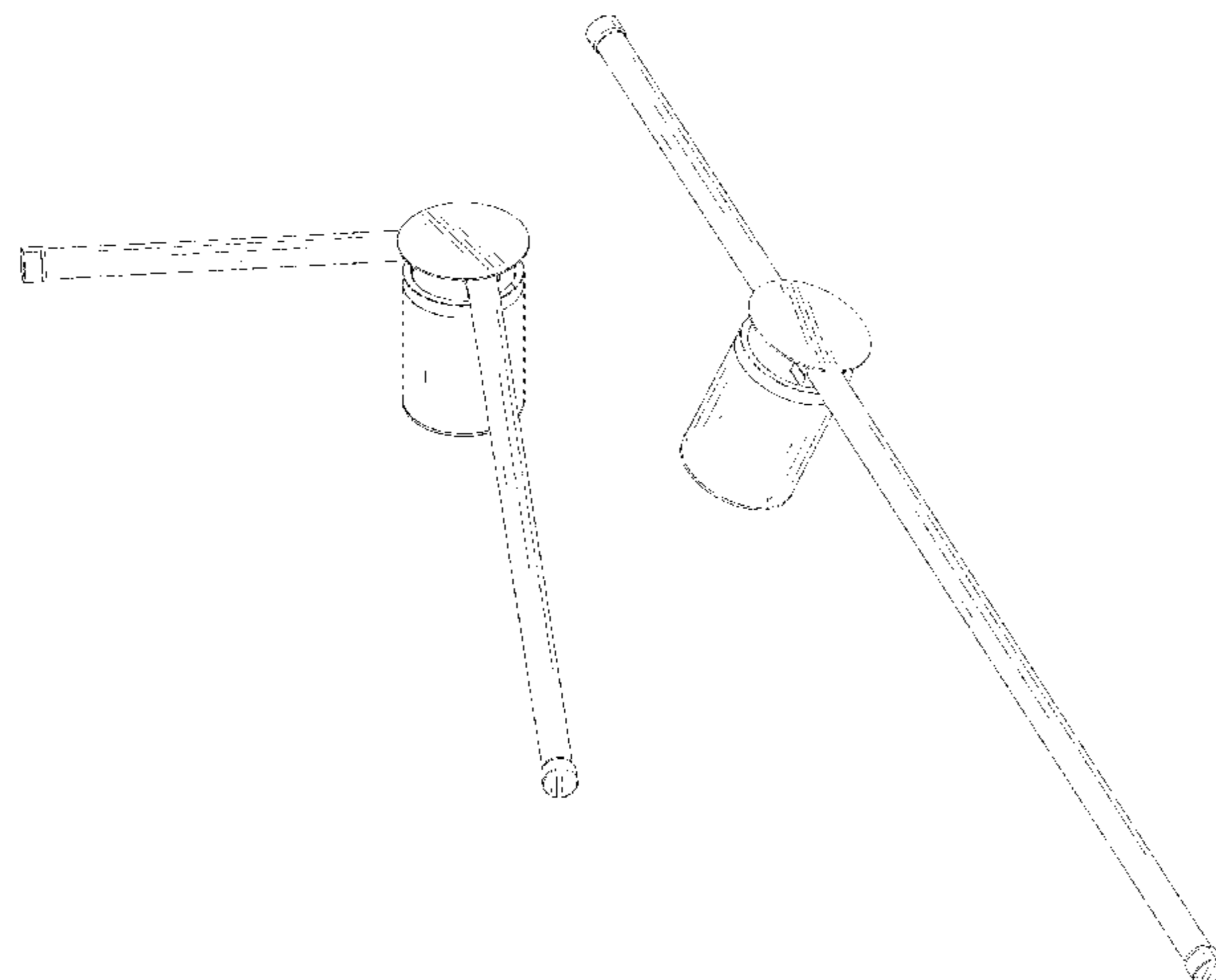
FIG. 7 is a top view thereof;

FIG. 8 is a bottom view thereof;

FIG. 9 is another perspective view showing the wall lamp in a first alternate configuration; and,

FIG. 10 is another perspective view showing the wall lamp in a second alternate configuration.

(Continued)



The broken lines shown in the drawings depict portions of the wall lamp that form no part of the claimed design.

1 Claim, 10 Drawing Sheets

D867,646 S	11/2019	Flindt	
D903,934 S *	12/2020	Moses	D26/88
D906,401 S *	12/2020	Wu	D16/221
D906,584 S *	12/2020	Moses	D26/88
D907,276 S *	1/2021	Jiang	D26/87
D927,048 S *	8/2021	Chen	D26/138
D946,803 S *	3/2022	Pang	D26/60
D952,236 S *	5/2022	Zhang	D26/93

(56)

References Cited

U.S. PATENT DOCUMENTS

D622,885 S *	8/2010	Ng	D26/65
D626,264 S *	10/2010	Liu	D26/61
D657,905 S *	4/2012	Yu	F21S 8/06 D26/138
D657,906 S *	4/2012	Yu	D26/138
D669,630 S *	10/2012	Yu	D26/155
D804,704 S *	12/2017	Xia	D26/107
D833,055 S	11/2018	Deng	
D851,805 S *	6/2019	Chen	D26/76
D858,835 S *	9/2019	Xiao	D26/93
D861,953 S	10/2019	Deng	

OTHER PUBLICATIONS

Ditoo Modern Plug in Wall Sconce. Date first available Dec. 18, 2020. Site visited Sep. 27, 2022. [https://www.amazon.com/Ditoo-Modern-Sconce-Mounted-Bedroom/dp/B08LVF1Z9N/ref=sr_1_6?keywords=two%2Brod%2Barm%2Bwall%2Blight%2Bor%2Blamp&qid=1664293699&sr=8-6&th=1] (Year: 2020).*

Two-Light Outdoor Wall Fixture. Date first available May 18, 2016. Site visited Sep. 27, 2022. [<https://www.amazon.com/6797500-Two-Light-Polished-Graphite-Cylinder/dp/B01J8JWWLS>] (Year: 2016).*

* cited by examiner

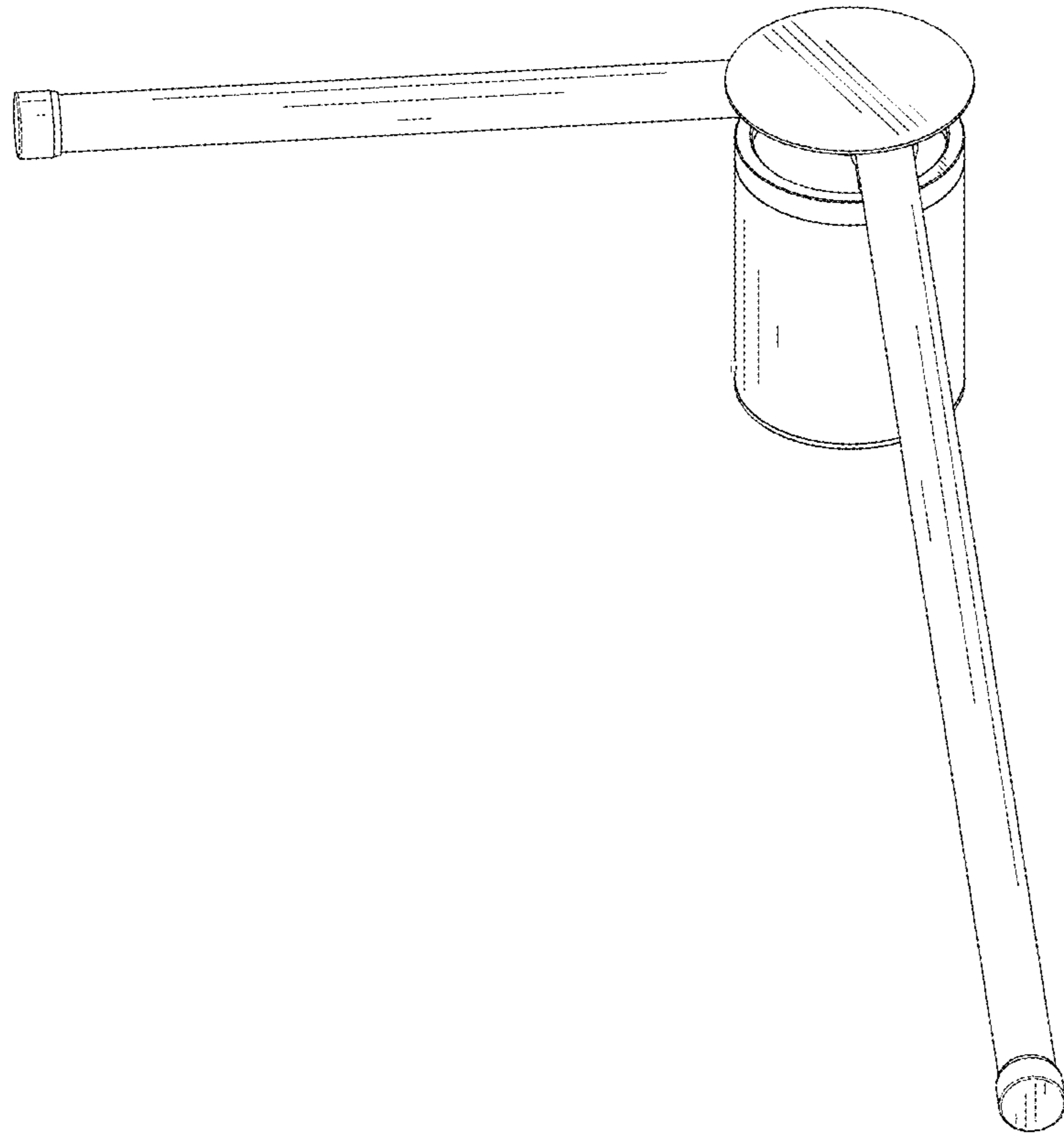


FIG. 1

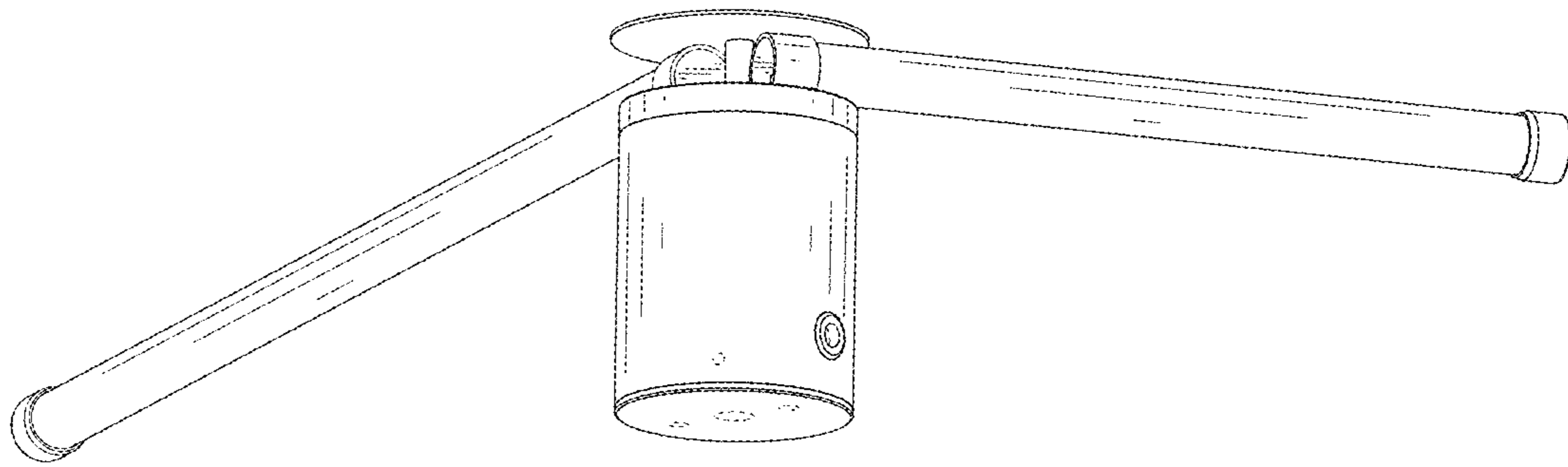


FIG. 2

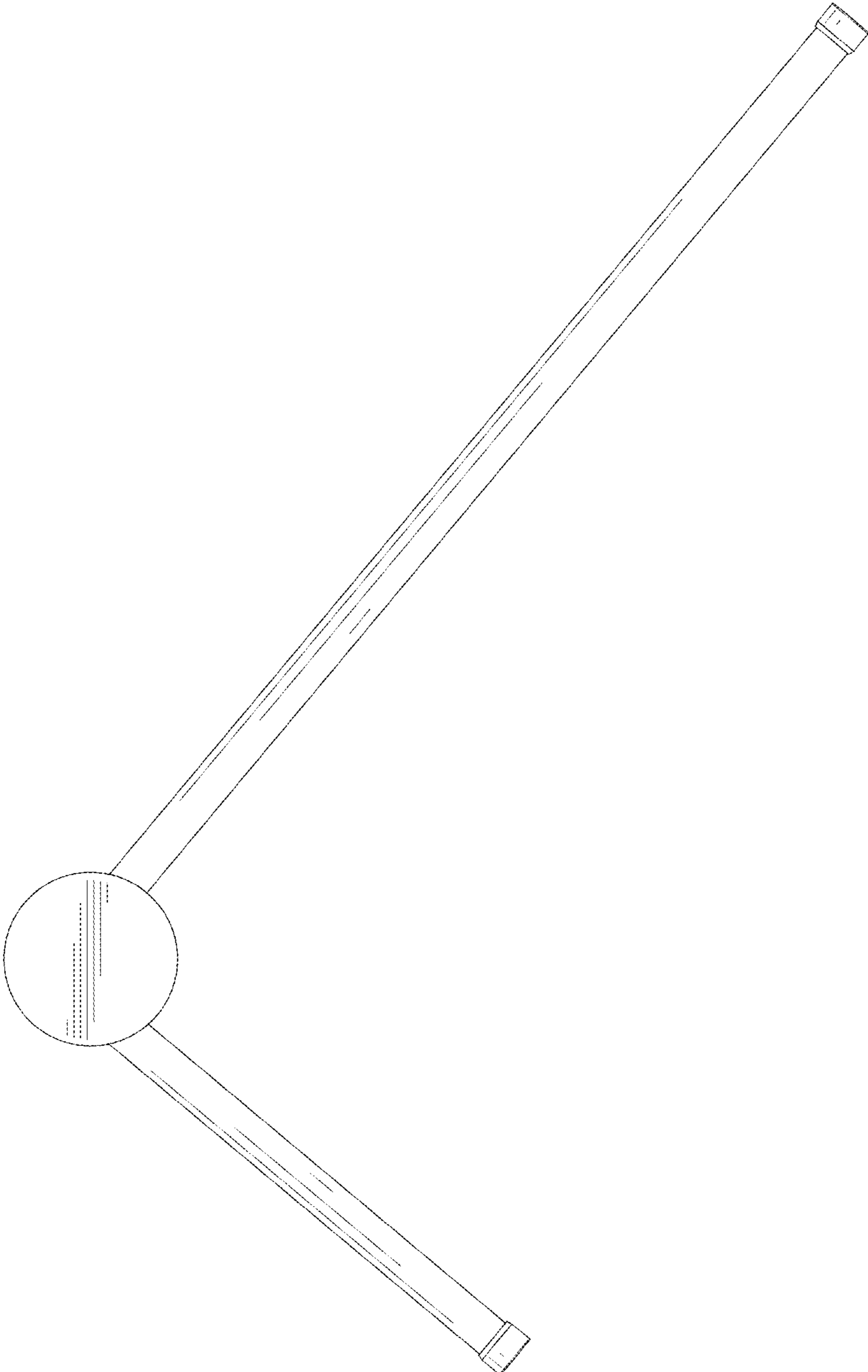


FIG. 3

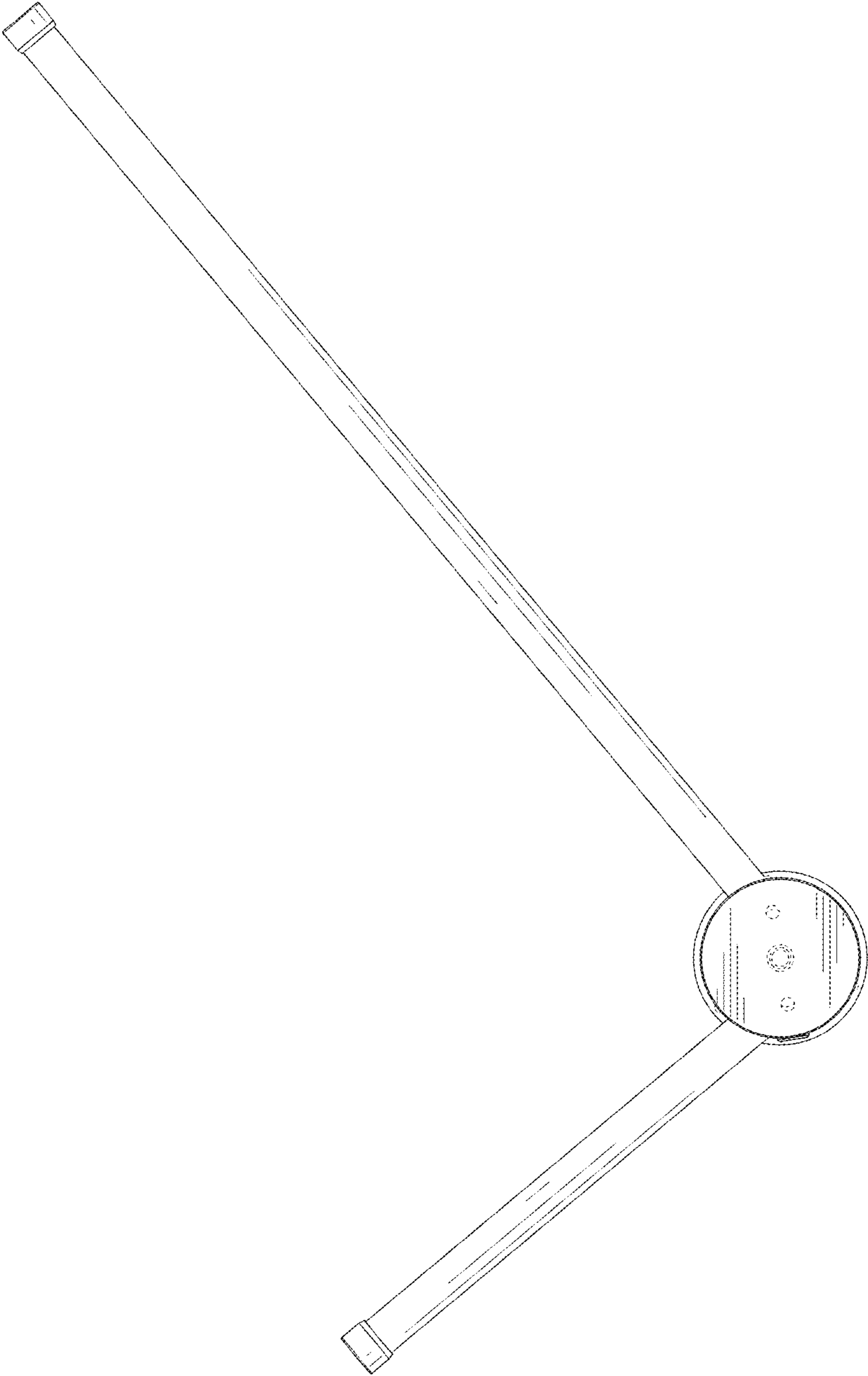


FIG. 4

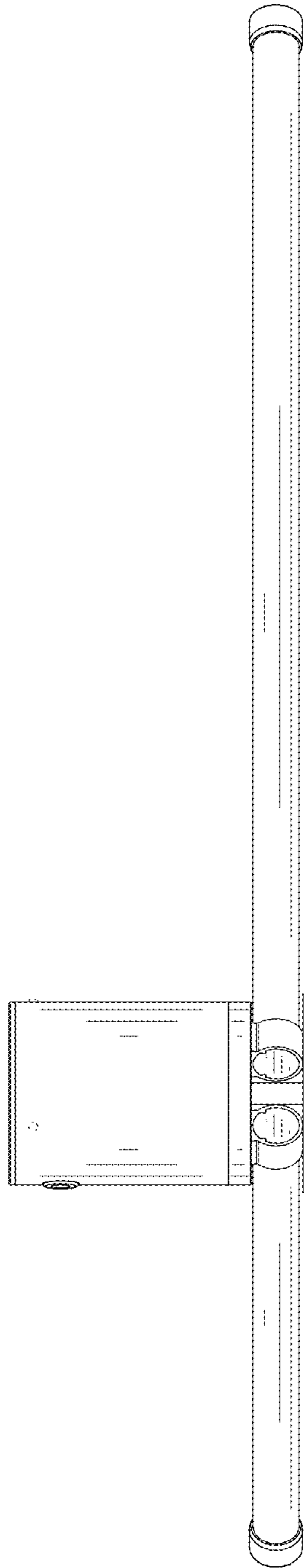


FIG. 5

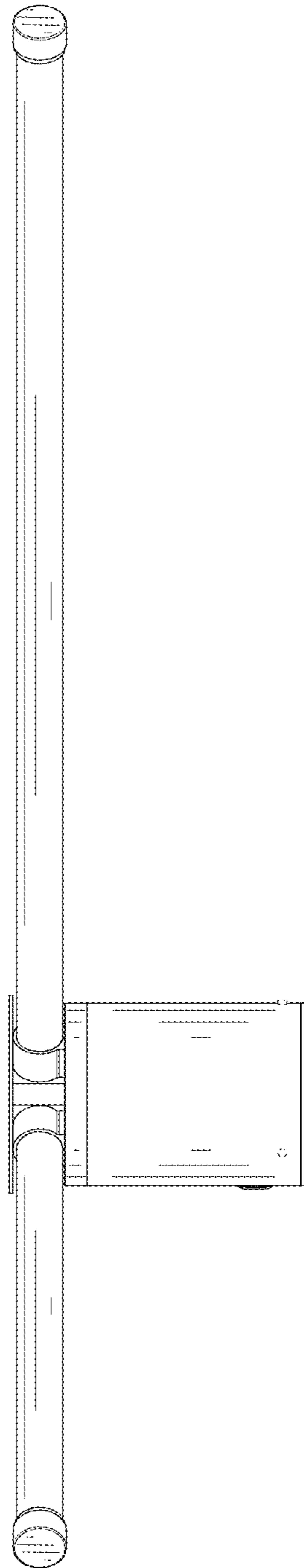


FIG. 6

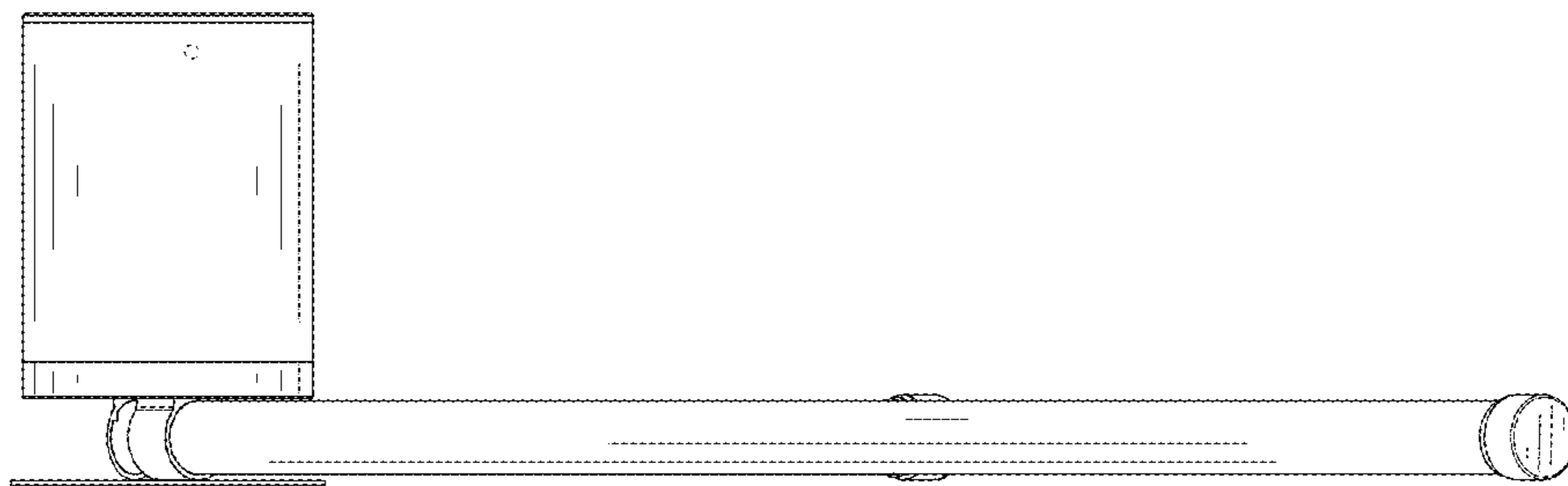


FIG. 7

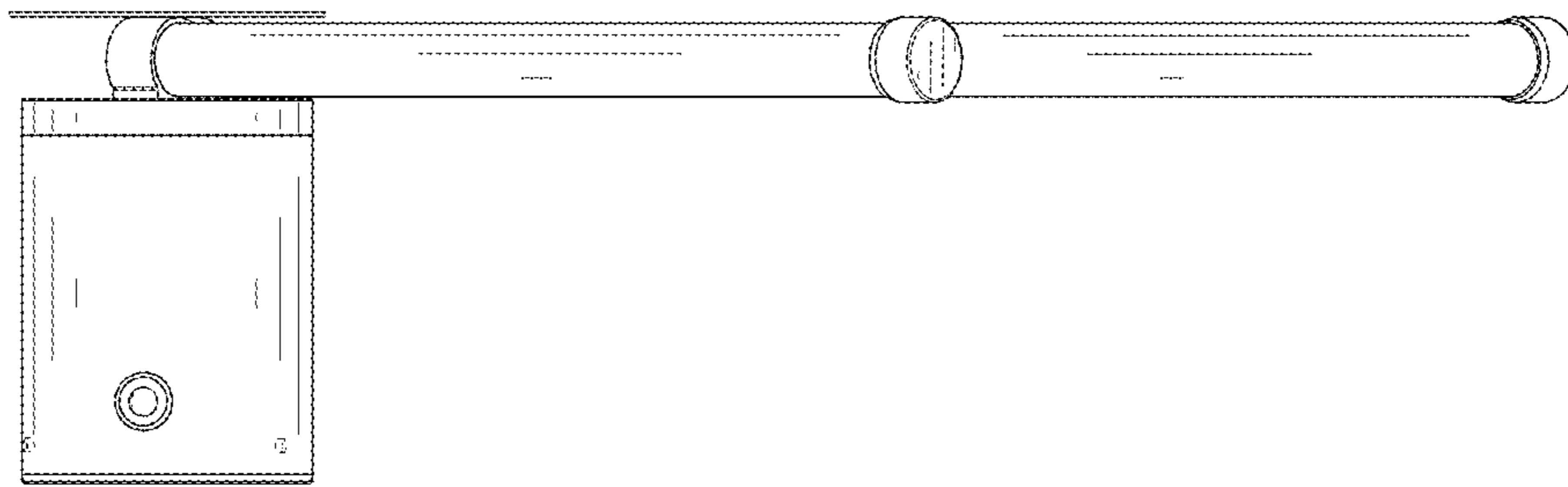


FIG. 8

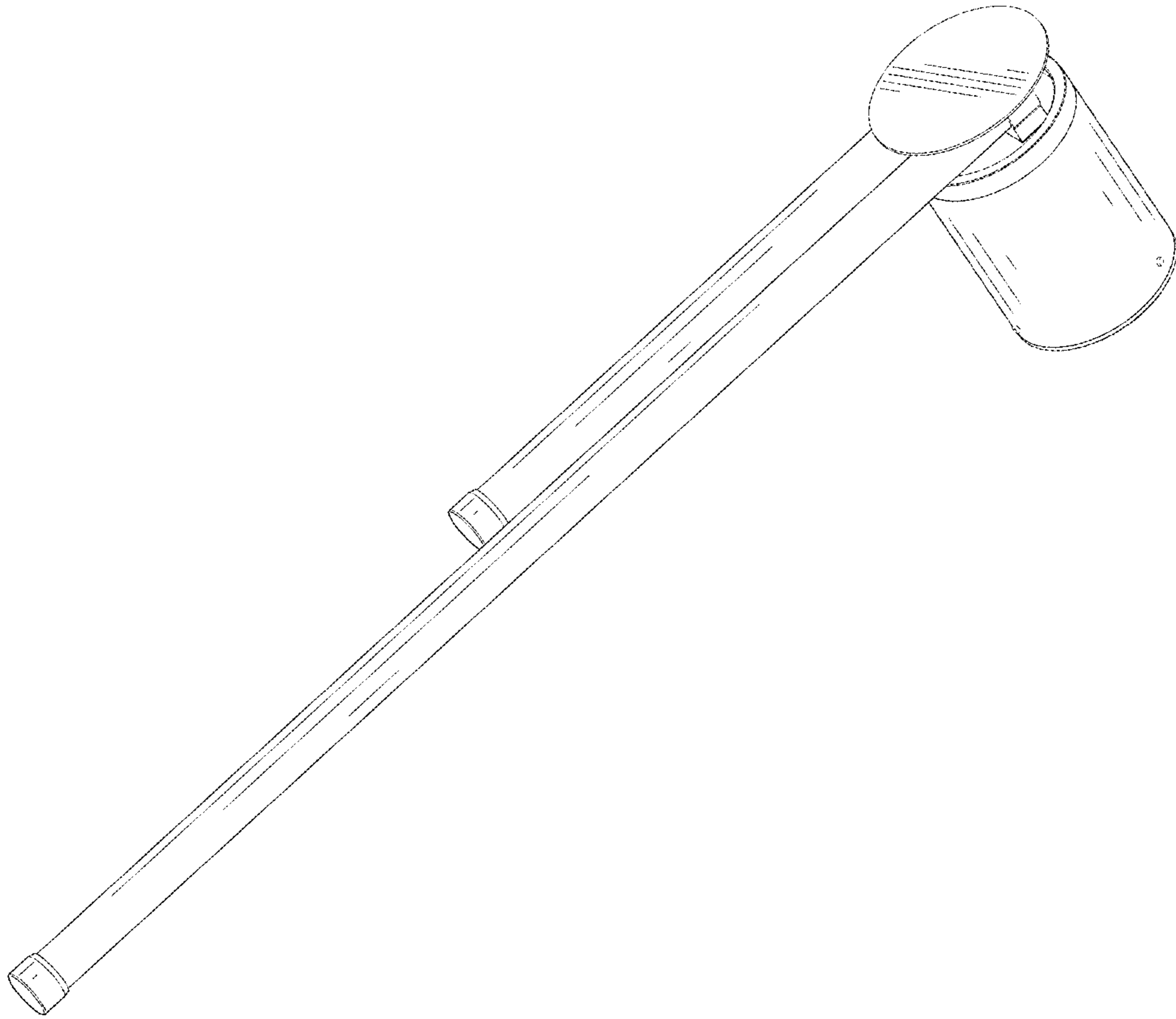


FIG. 9

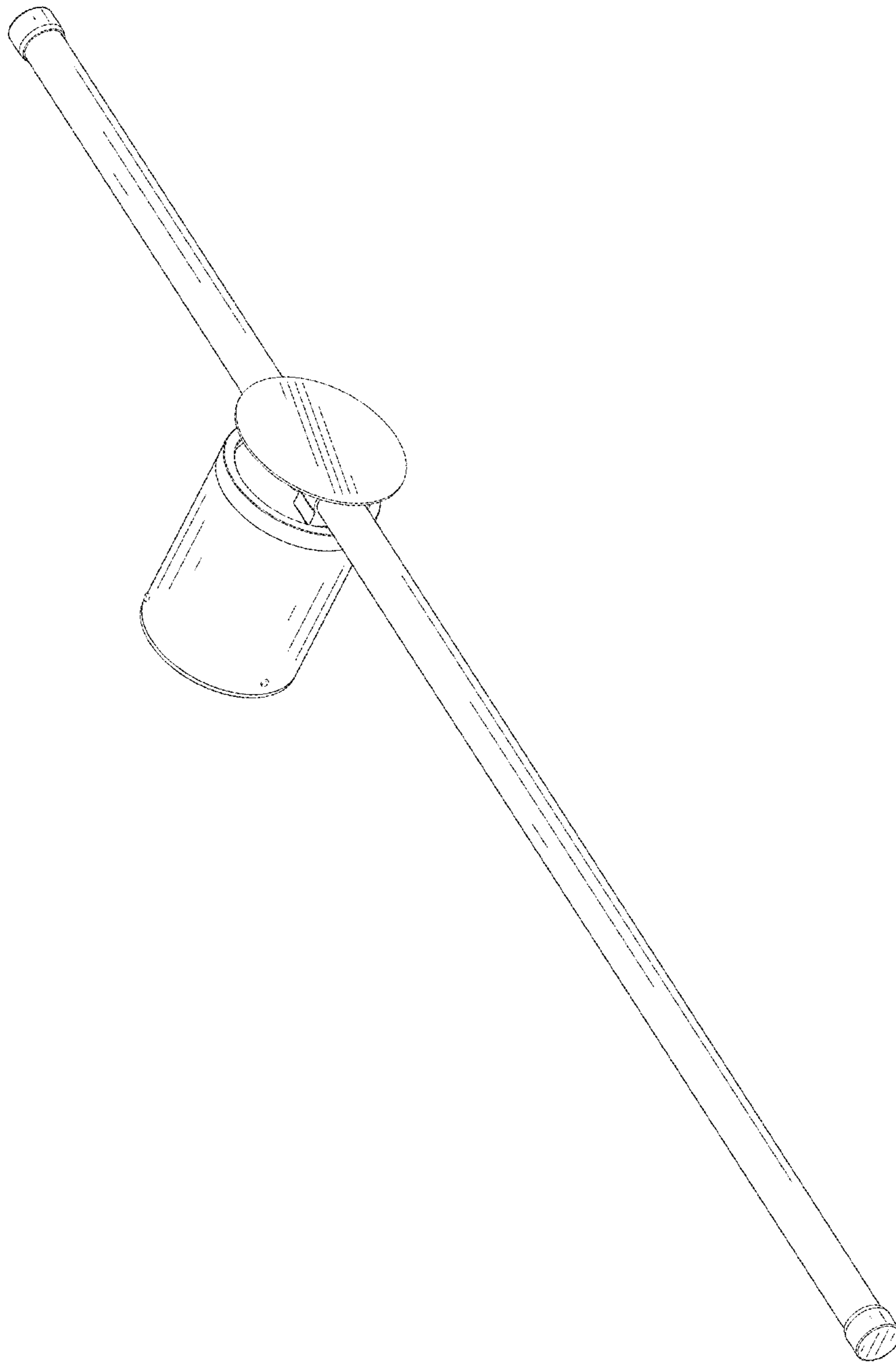


FIG. 10