



US00D981619S

(12) **United States Design Patent**  
**Hu**

(10) **Patent No.:** **US D981,619 S**  
(45) **Date of Patent:** **\*\* Mar. 21, 2023**

(54) **FILL LIGHT**

(71) Applicant: **Shenzhen Daqian Technology Holding Co., Ltd**, Shenzhen (CN)

(72) Inventor: **Shenghua Hu**, Shenzhen (CN)

(\*\*) Term: **15 Years**

(21) Appl. No.: **29/844,232**

(22) Filed: **Jun. 28, 2022**

(51) **LOC (14) Cl.** ..... **26-05**

(52) **U.S. Cl.**  
USPC ..... **D26/63; D26/60**

(58) **Field of Classification Search**  
USPC ..... D26/63, 61, 62, 64, 65, 56, 106, 3, 13,  
D26/110, 102, 67, 60  
CPC ..... F21V 17/12; F21V 23/06; F21V 21/02  
See application file for complete search history.

(56) **References Cited**

**U.S. PATENT DOCUMENTS**

D670,845 S *	11/2012	Hsu .....	D26/62
D804,716 S	12/2017	Nahabedian et al.	
D826,458 S	8/2018	Amato et al.	
D826,459 S	8/2018	Amato et al.	
D917,088 S *	4/2021	Xia .....	D26/60
D932,080 S *	9/2021	Wang .....	D16/250
D945,669 S *	3/2022	Hao .....	D26/60
D955,023 S *	6/2022	Huang .....	D26/60
D957,714 S *	7/2022	Hodgson .....	D26/106

**OTHER PUBLICATIONS**

Newmowa 60 LED High Power Rechargeable Clip Fill Video Light with Front & Back Clip, dated Jul. 18, 2020, [online], [site visited

Sep. 22, 2022]. Available from Internet, URL: (<https://www.amazon.com/Newmowa-Rechargeable-Adjusted-Android-Conference/dp/B08BCH841V> (Year: 2020).\*  
Weilisi 4000mAh Video Conference Lighting dated Aug. 9, 2021, [online], [site visited Sep. 22, 2022]. Available from Internet, URL: [https://www.amazon.com/Weilisi-Conference-Lighting-Conferencing-Stepless/dp/B09C5XKW64/ref=sr\\_1\\_6?keywords=Saycker+LED+fill+light+conference&qid=1663877794&sr=8-6](https://www.amazon.com/Weilisi-Conference-Lighting-Conferencing-Stepless/dp/B09C5XKW64/ref=sr_1_6?keywords=Saycker+LED+fill+light+conference&qid=1663877794&sr=8-6) (Year: 2021).\*

\* cited by examiner

*Primary Examiner* — Shawn T Gingrich  
*Assistant Examiner* — Kathryn Elizabeth Chambers  
(74) *Attorney, Agent, or Firm* — Rumit Ranjit Kanakia

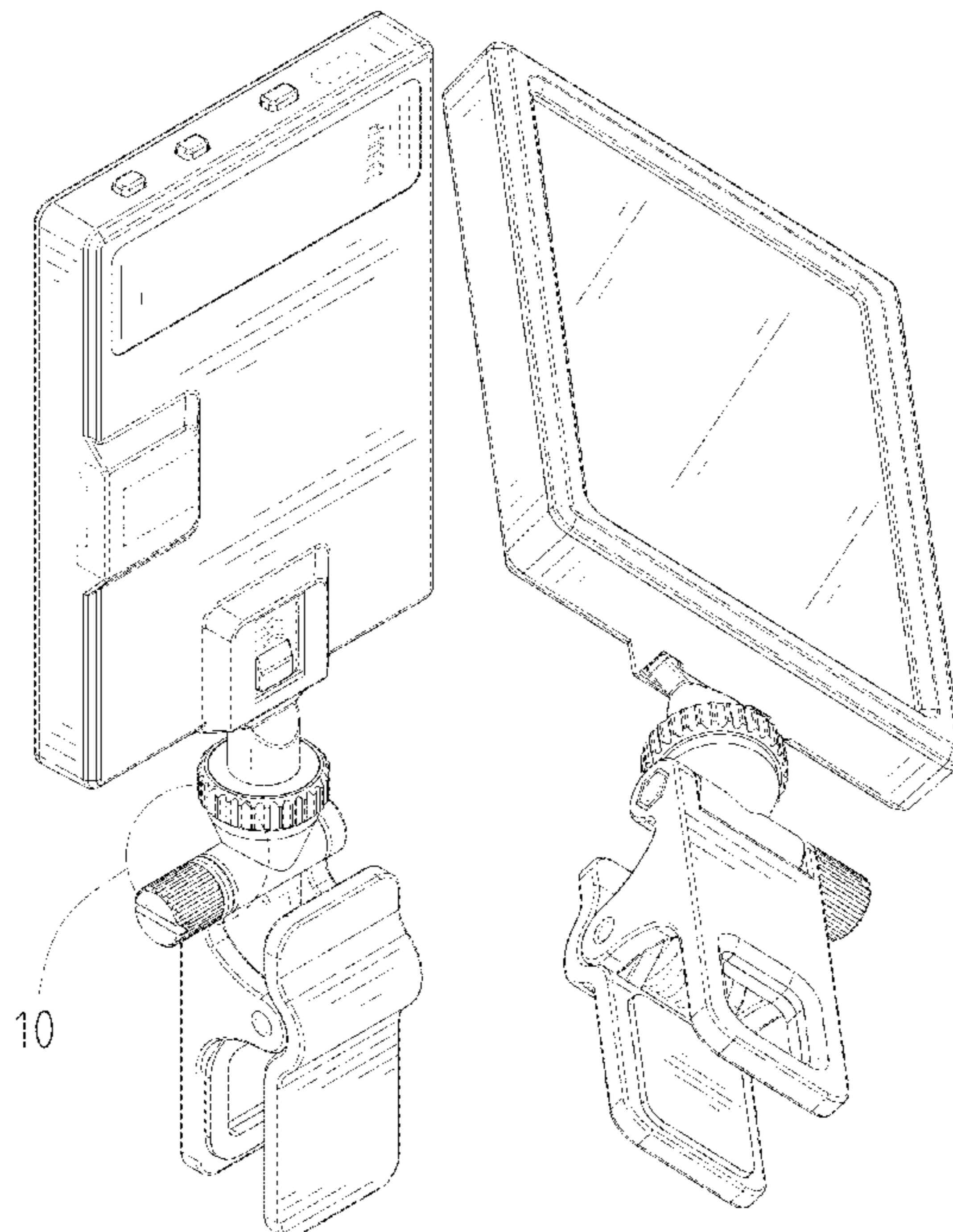
(57) **CLAIM**

The ornamental design for a fill light, as shown and described.

**DESCRIPTION**

FIG. 1 is a first perspective view of a fill light showing my new design;  
FIG. 2 is a second perspective view thereof;  
FIG. 3 is a front view thereof;  
FIG. 4 is a back view thereof;  
FIG. 5 is a left side view thereof;  
FIG. 6 is a right side view thereof;  
FIG. 7 is a top view thereof;  
FIG. 8 is a bottom view thereof;  
FIG. 9 is a perspective view of another state of the fill light thereof; and,  
FIG. 10 is an enlarged view of the selected portion 10 in FIG. 1.  
The broken lines shown in the drawings depict portions of the fill light that form no part of the claimed design.

**1 Claim, 10 Drawing Sheets**



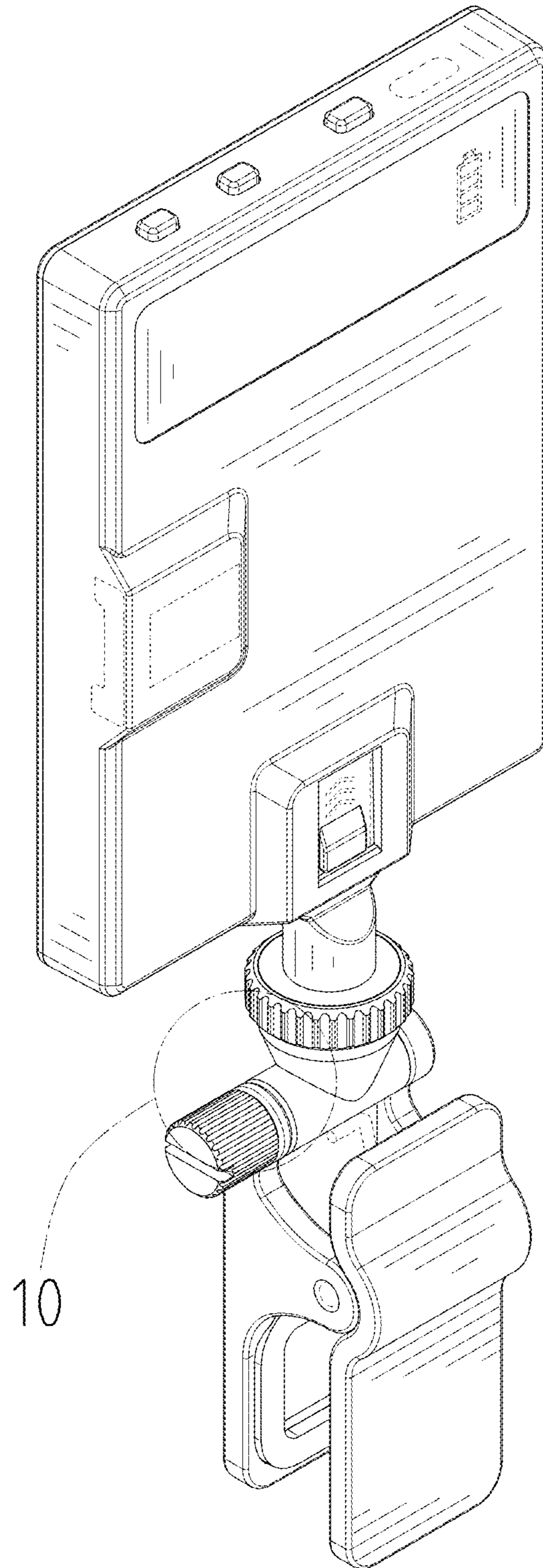


FIG. 1

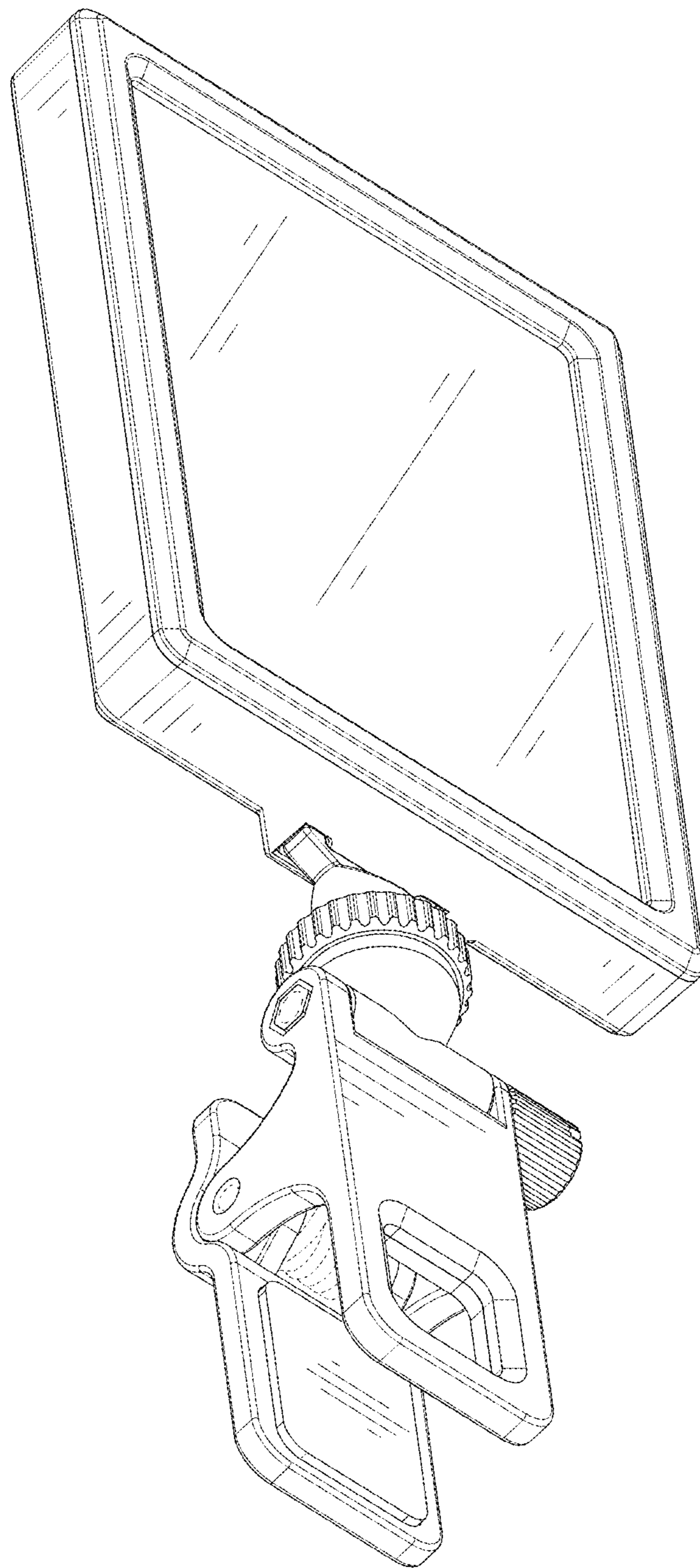


FIG. 2



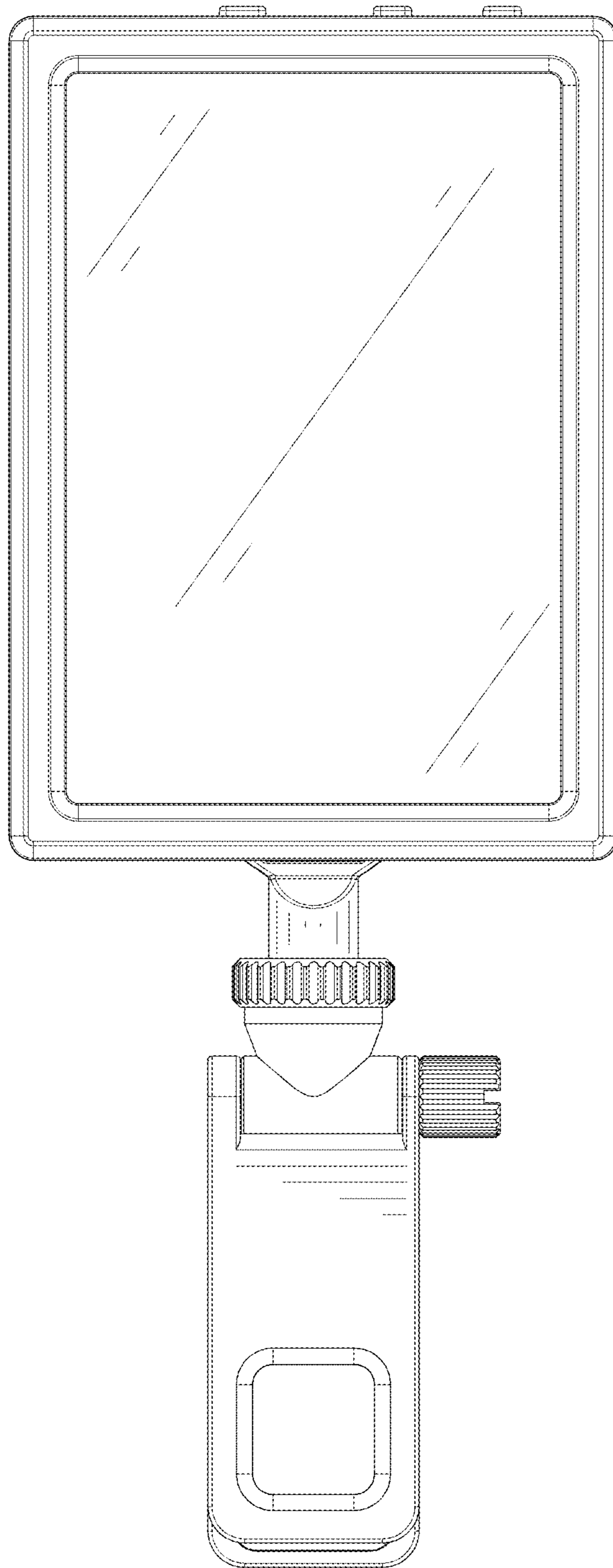


FIG. 3

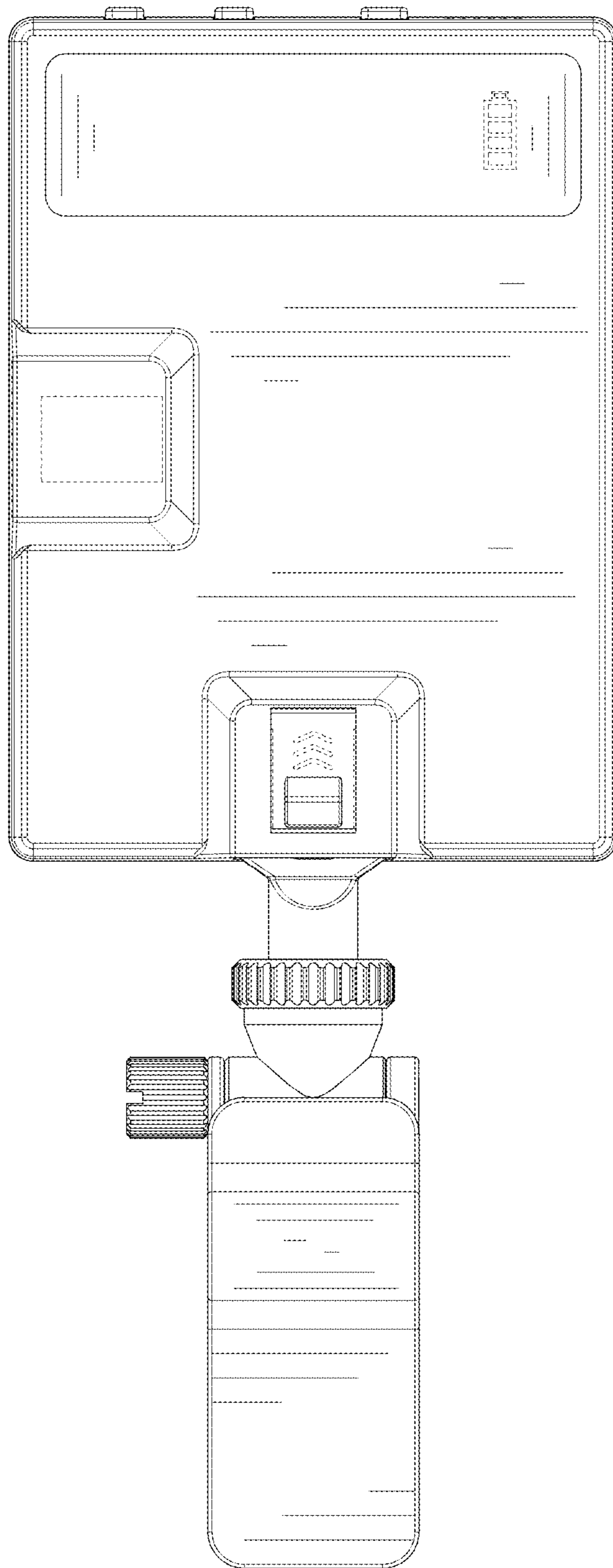


FIG. 4

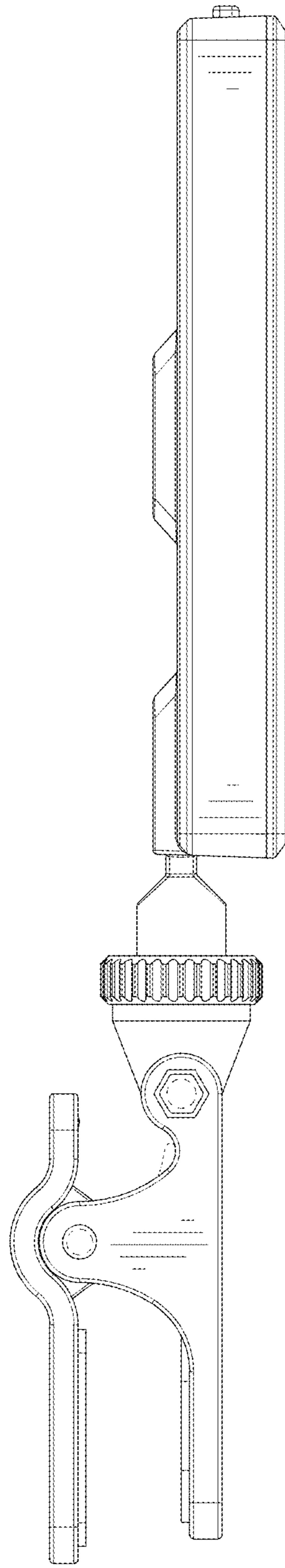


FIG. 5

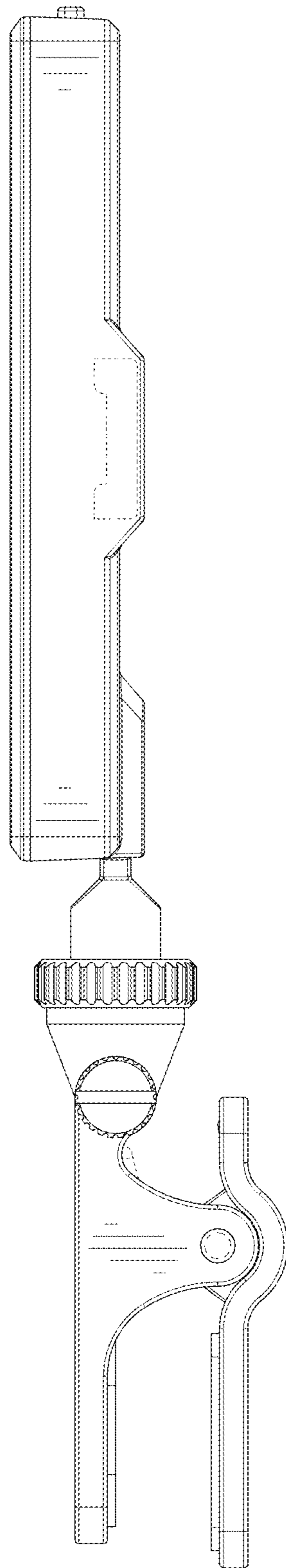


FIG. 6

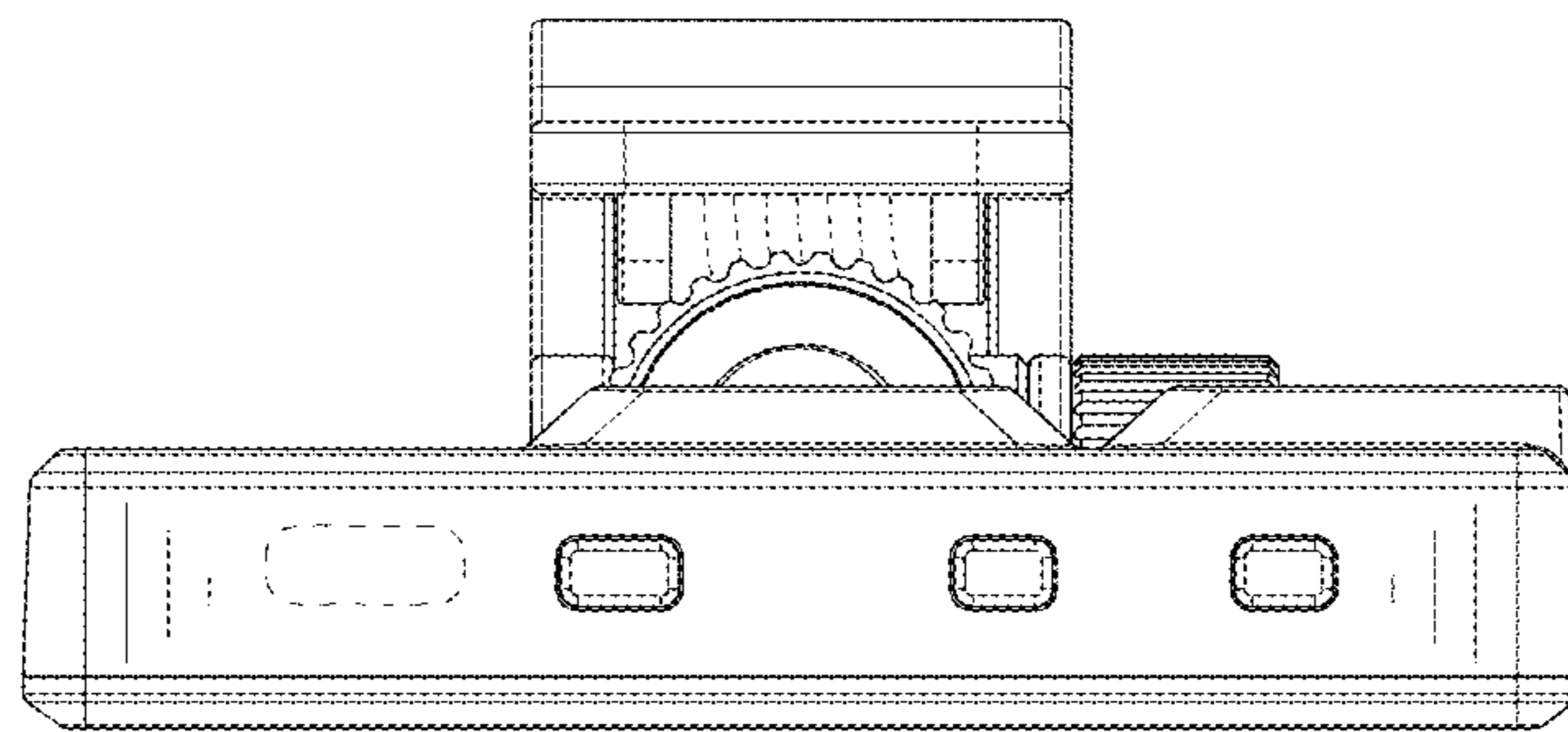


FIG. 7



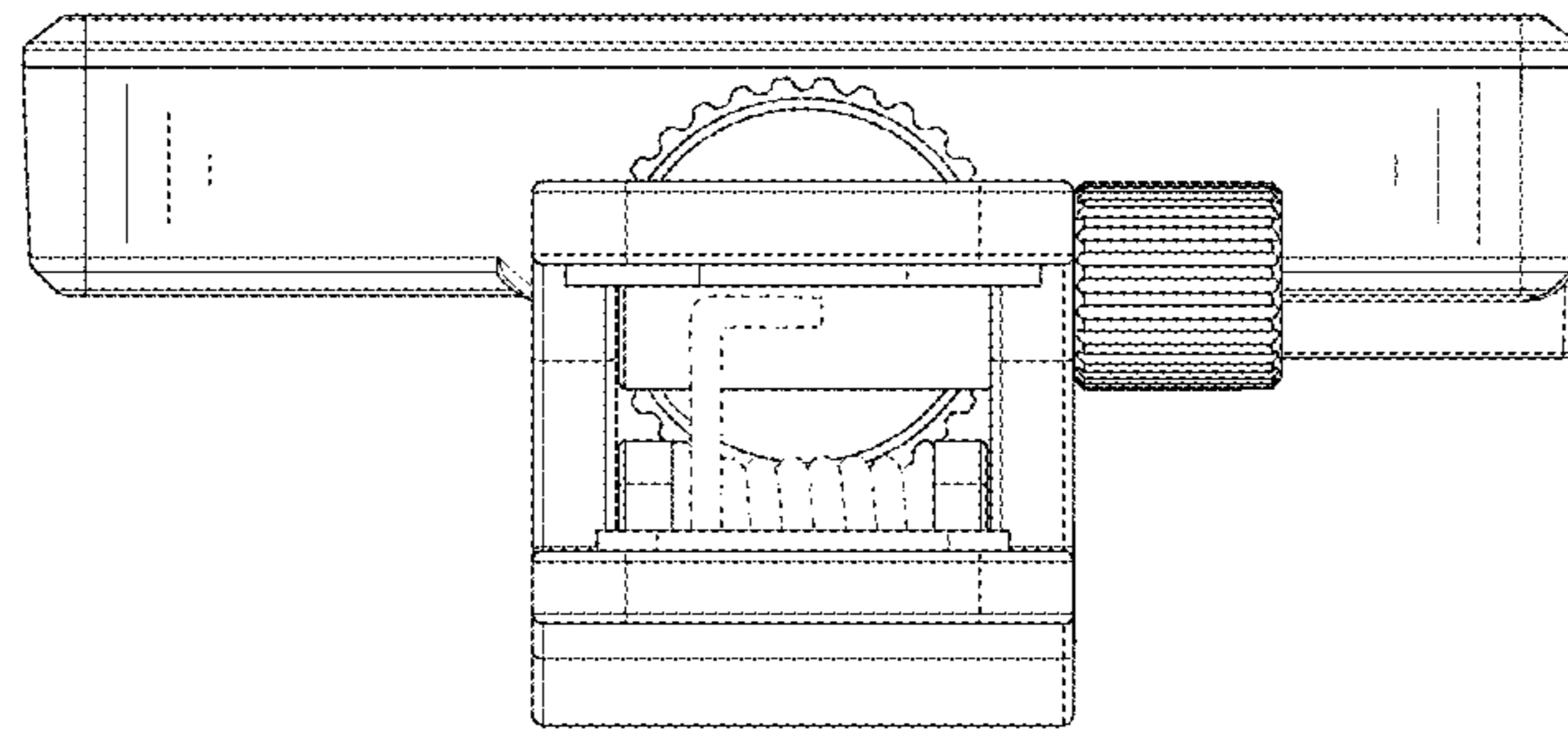


FIG. 8

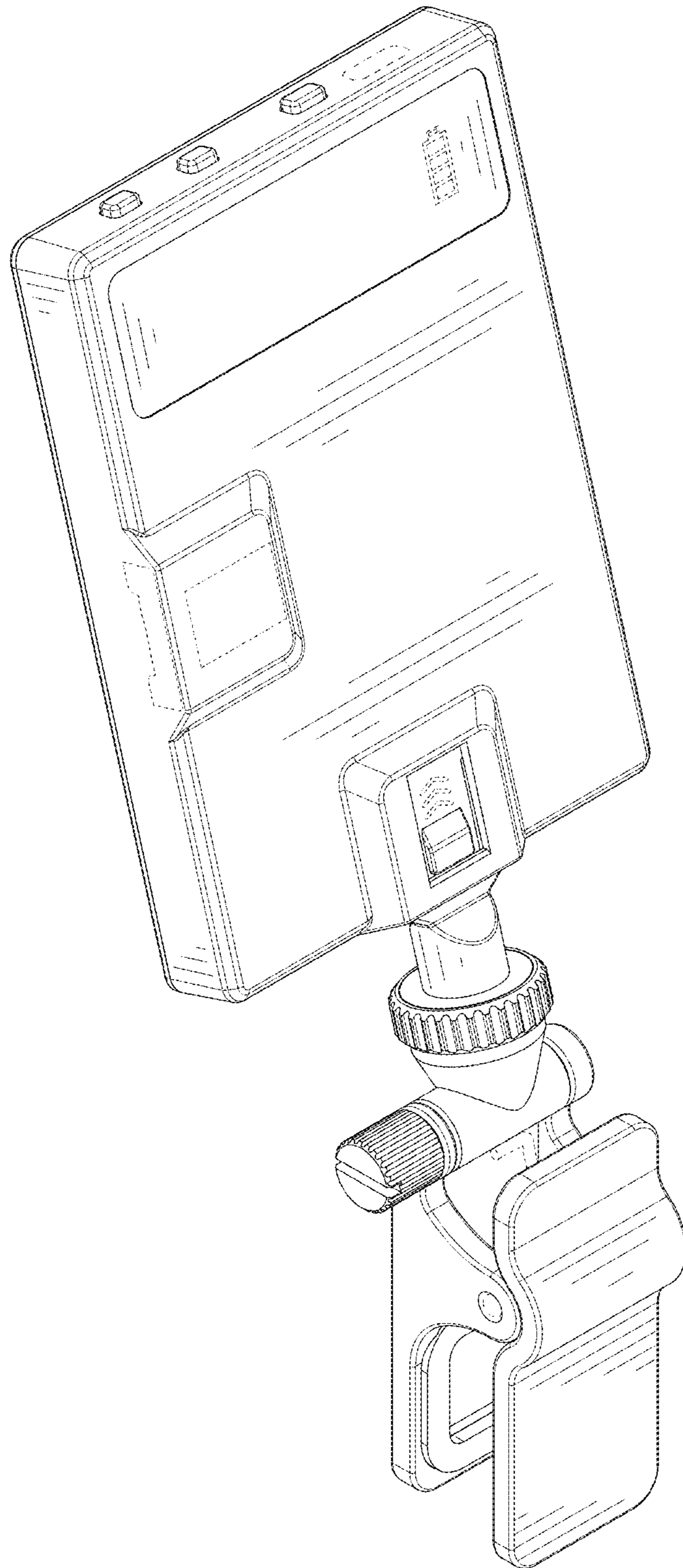


FIG. 9

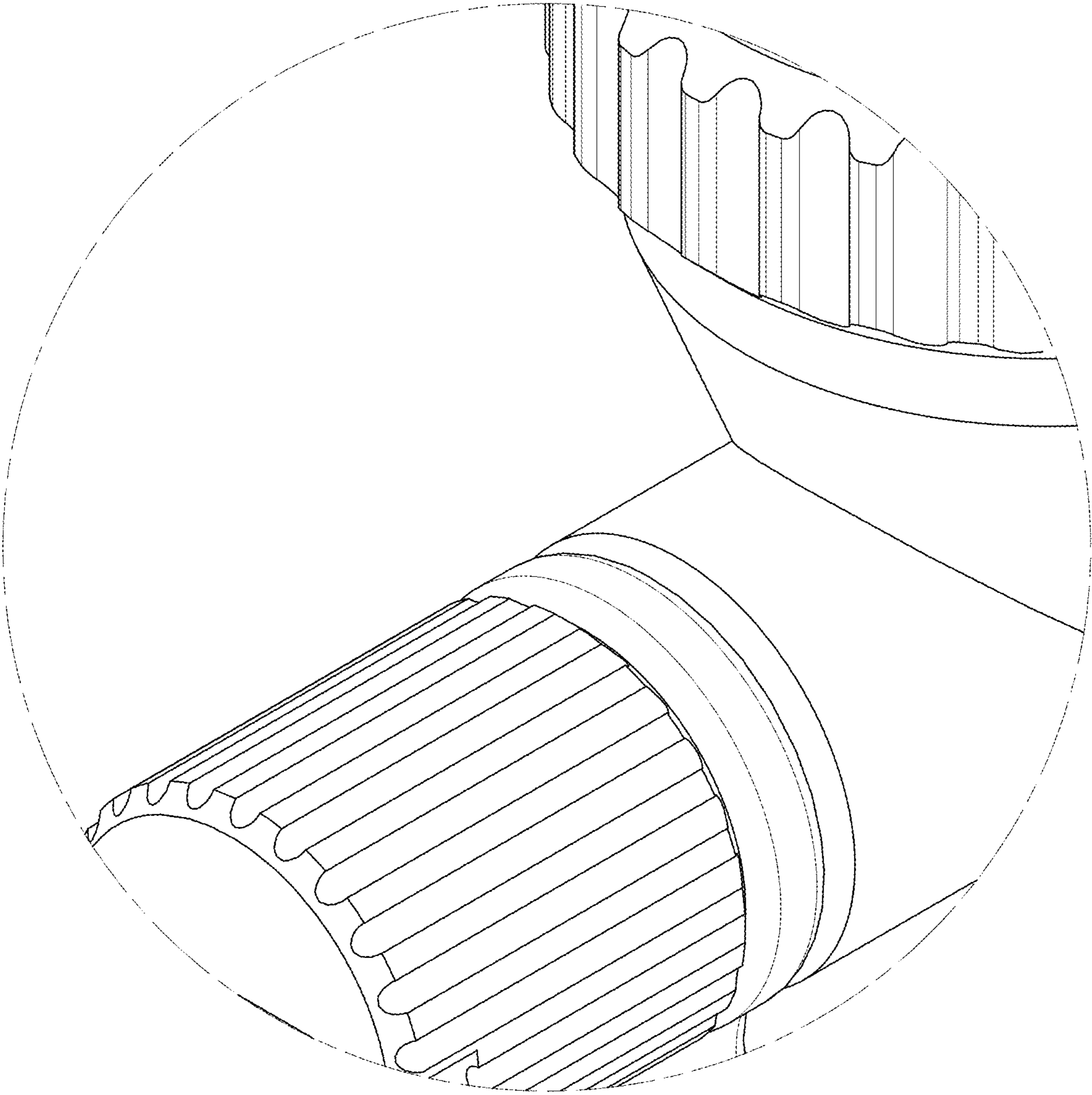


FIG. 10