



US00D981618S

(12) **United States Design Patent**
Zhuo

(10) **Patent No.:** **US D981,618 S**
(45) **Date of Patent:** **** Mar. 21, 2023**

(54) **SOLAR SPOTLIGHT**

(71) Applicant: **ZHONGSHAN YINGHAO SOLAR TECHNOLOGY CO., LTD,**
Guangdong (CN)

(72) Inventor: **Qiang Zhuo,** Guangdong (CN)

(73) Assignee: **ZHONGSHAN YINGHAO SOLAR TECHNOLOGY CO., LTD,**
Zhongshan (CN)

(**) Term: **15 Years**

(21) Appl. No.: **29/763,950**

(22) Filed: **Dec. 27, 2020**

(30) **Foreign Application Priority Data**

Dec. 6, 2020 (CN) 202030748708.1

(51) **LOC (14) Cl.** **26-05**

(52) **U.S. Cl.**
USPC **D26/63; D26/67; D26/72**

(58) **Field of Classification Search**
USPC ... D26/1, 24, 35, 44, 61, 63, 65, 66, 72, 80,
D26/60, 76, 81, 83, 84, 93

(Continued)

(56) **References Cited**

U.S. PATENT DOCUMENTS

D269,464 S * 6/1983 Caroli D26/93
D660,491 S * 5/2012 Holscher D26/83

(Continued)

FOREIGN PATENT DOCUMENTS

CN 306534902 * 5/2021

OTHER PUBLICATIONS

“Solar” reference by Aiwewin on Amazon.com, date first available Aug. 10, 2021 [online], site visited May 9, 2022, available from

internet URL: <https://www.amazon.com/Spotlight-Outdoor-Changing-Outside-Landscaping/dp/B09C8HSJTH> (Year: 2021).*

(Continued)

Primary Examiner — Richard Kearney

Assistant Examiner — Liv C Anderson

(57) **CLAIM**

The ornamental design for a solar spotlight, as shown and described.

DESCRIPTION

FIG. 1 is a perspective view of a solar spotlight showing my new design;

FIG. 2 is a front view thereof;

FIG. 3 is a back view thereof;

FIG. 4 is a left view thereof;

FIG. 5 is a right view thereof;

FIG. 6 is an enlarged top view thereof;

FIG. 7 is an enlarged bottom view thereof;

FIG. 8 is a solar spotlight shown in an alternate configuration of use;

FIG. 9 is a solar spotlight as shown in FIG. 1, shown in an environment of use;

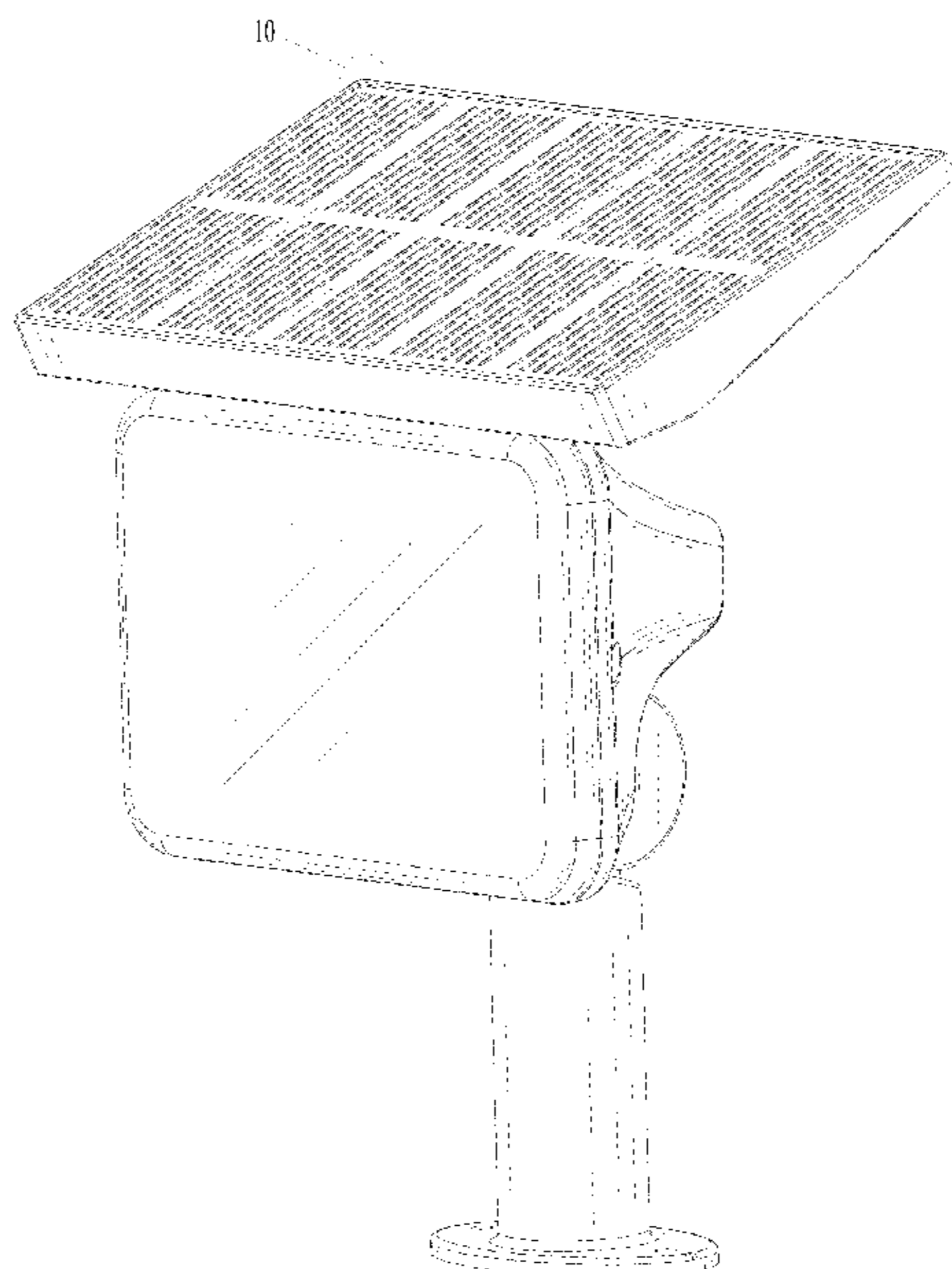
FIG. 10 is an enlarged view of the encircled area 10 of FIG. 1;

FIG. 11 is an enlarged view of the encircled area 11 of FIG. 3; and,

FIG. 12 is an enlarged view of the encircled area 12 of FIG. 3.

The broken lines shown in FIGS. 1, 3, 4, 5, 7, 8, 11, 12 illustrate portions of the solar spotlight that form no part of the claimed design. The additional broken lines annotating the detail views in FIGS. 1, 3, 10, 11 and 12 are for illustrative purposes and form no part thereof. The broken lines shown in FIG. 9 are directed to environment and are for illustrative purposes only and form no part of the claimed design.

1 Claim, 12 Drawing Sheets



(58) **Field of Classification Search**

CPC F21S 8/00; F21S 8/003; F21S 8/033; F21S
9/03; F21S 9/037; F21V 23/0471; F21V
21/26; F21V 21/30; F21W 2131/10;
F21W 2131/107

See application file for complete search history.

(56) **References Cited**

U.S. PATENT DOCUMENTS

D661,420	S	*	6/2012	Liang	D26/63
D810,342	S	*	2/2018	Chen	D26/68
D884,243	S	*	5/2020	Li	D26/63
D901,742	S	*	11/2020	Fu	D26/67
D921,261	S	*	6/2021	Qiu	D26/67
D931,198	S	*	9/2021	Liu	D13/102
D948,419	S	*	4/2022	Wu	D13/102

OTHER PUBLICATIONS

“JSOT” reference by Soxin on Amazon.com, date first available Jul. 16, 2020 [online], site visited May 9, 2022, available from internet URL: <https://www.amazon.com/dp/B08D5QNQ1Y/> (Year: 2020).*

“InnoGear” reference by InnoGear on Amazon.com, date first available Jul. 10, 2019 [online], site visited May 9, 2022, available from internet URL: <https://www.amazon.com/InnoGear-Landscape-Spotlights-Waterproof-Landscaping/dp/B07V7S7YQF> (Year: 2019).*

* cited by examiner

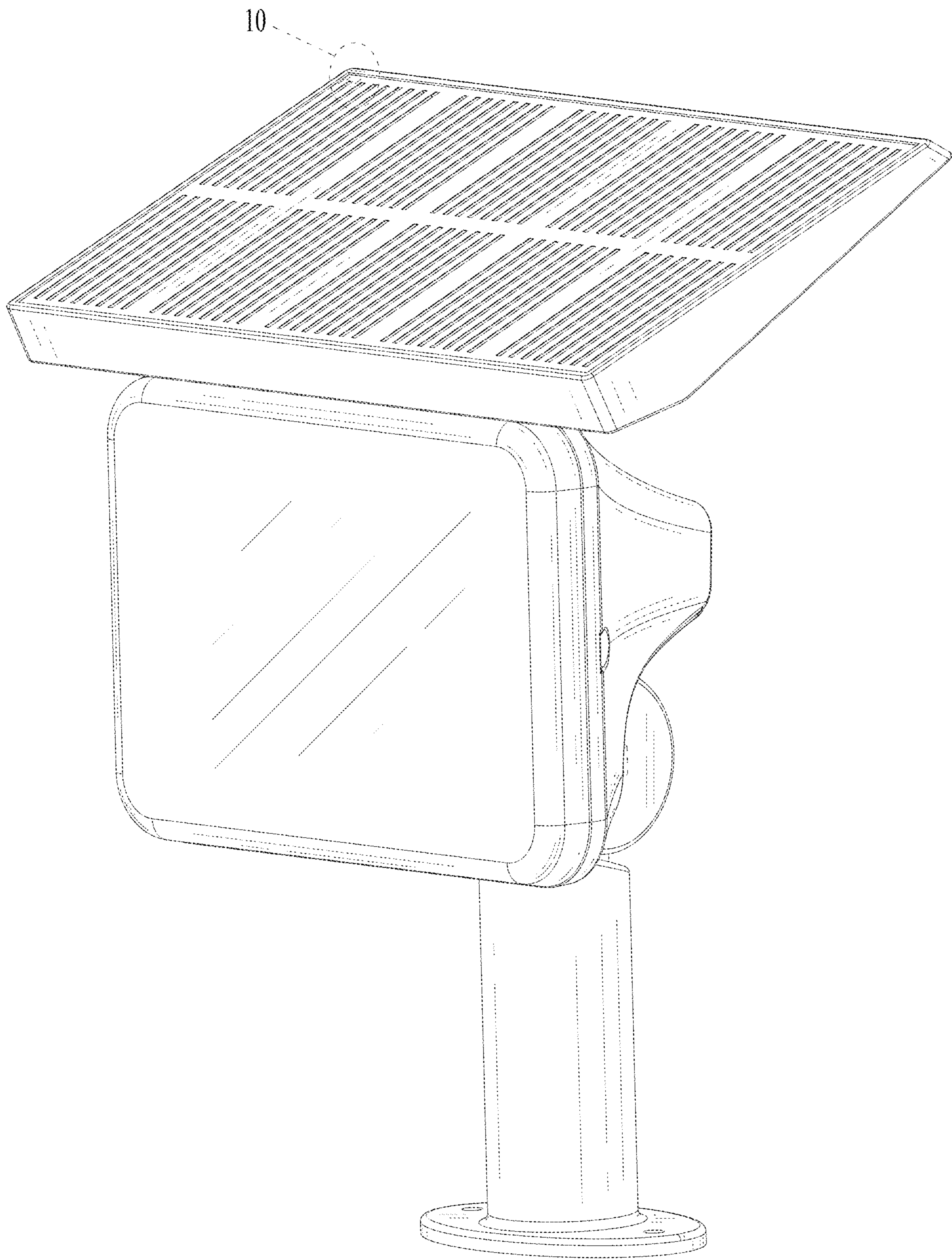


FIG. 1

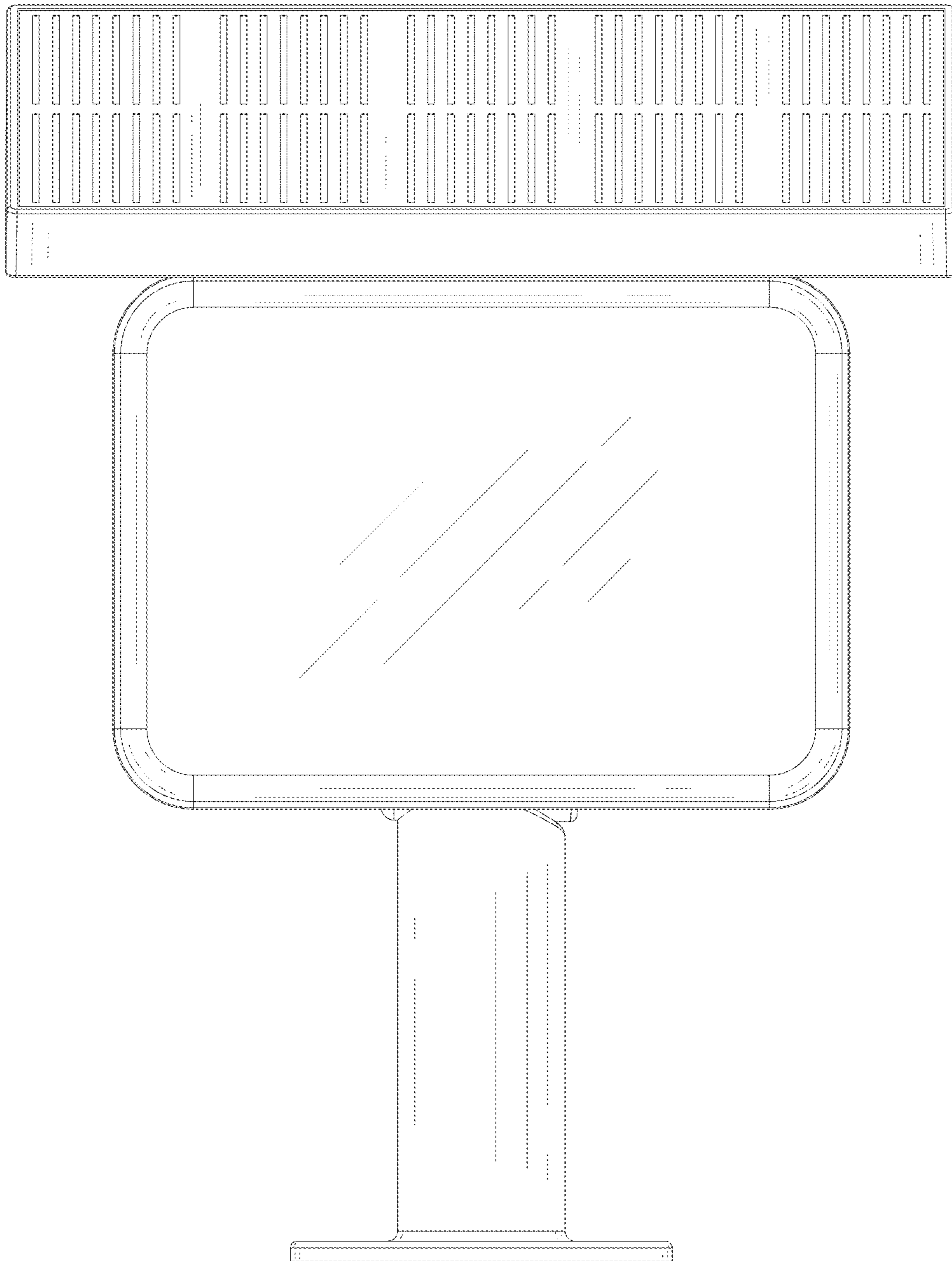


FIG. 2

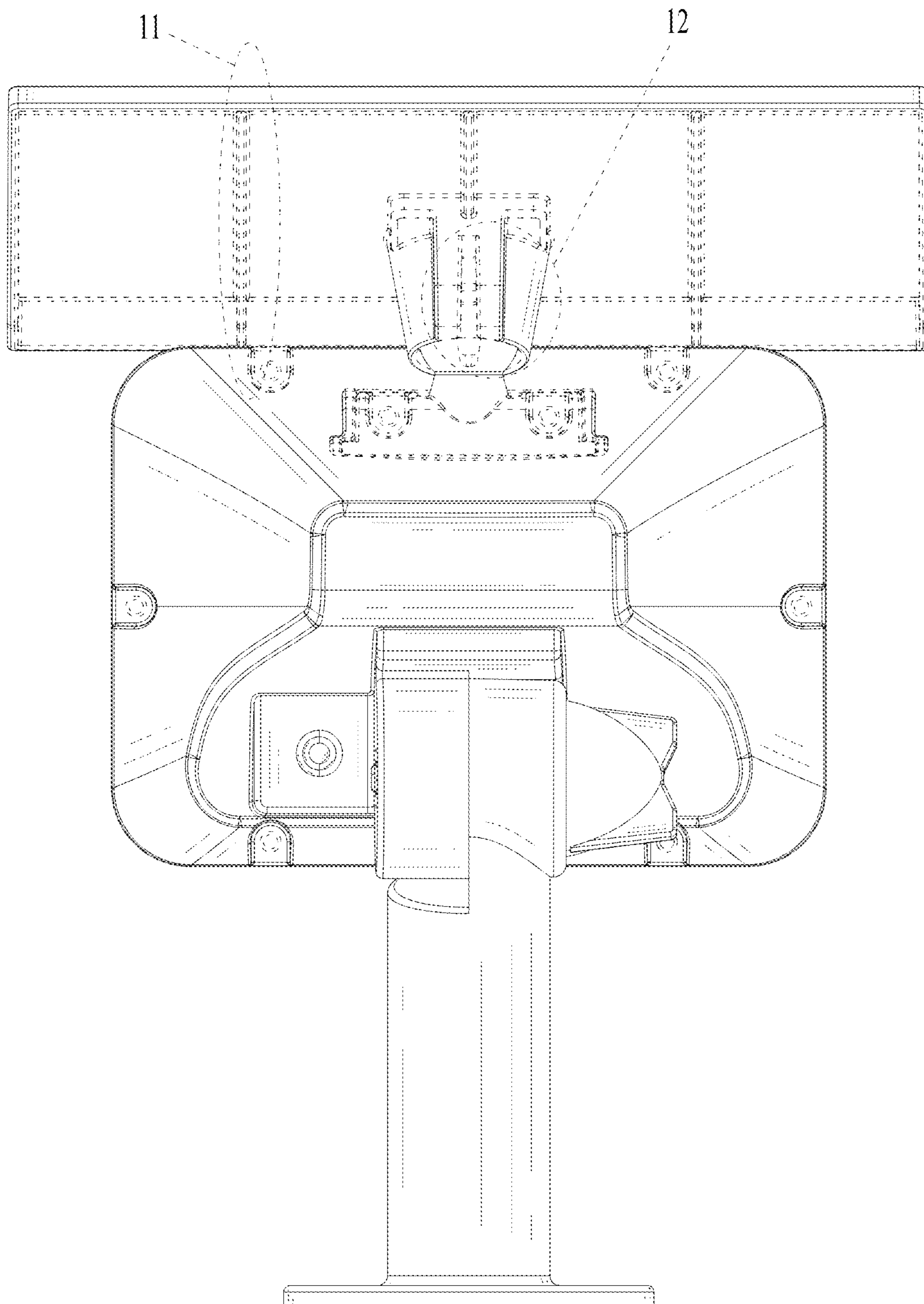


FIG. 3

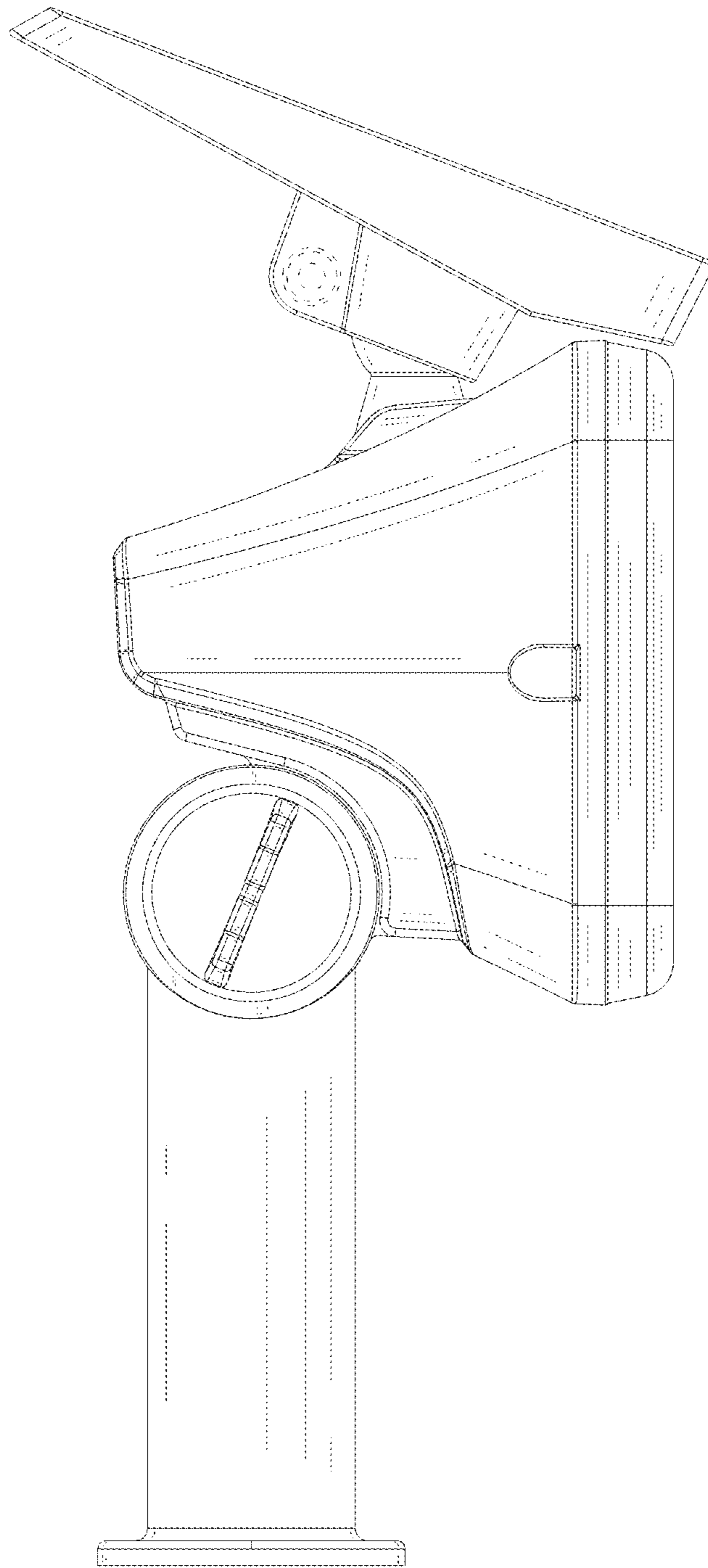


FIG. 4

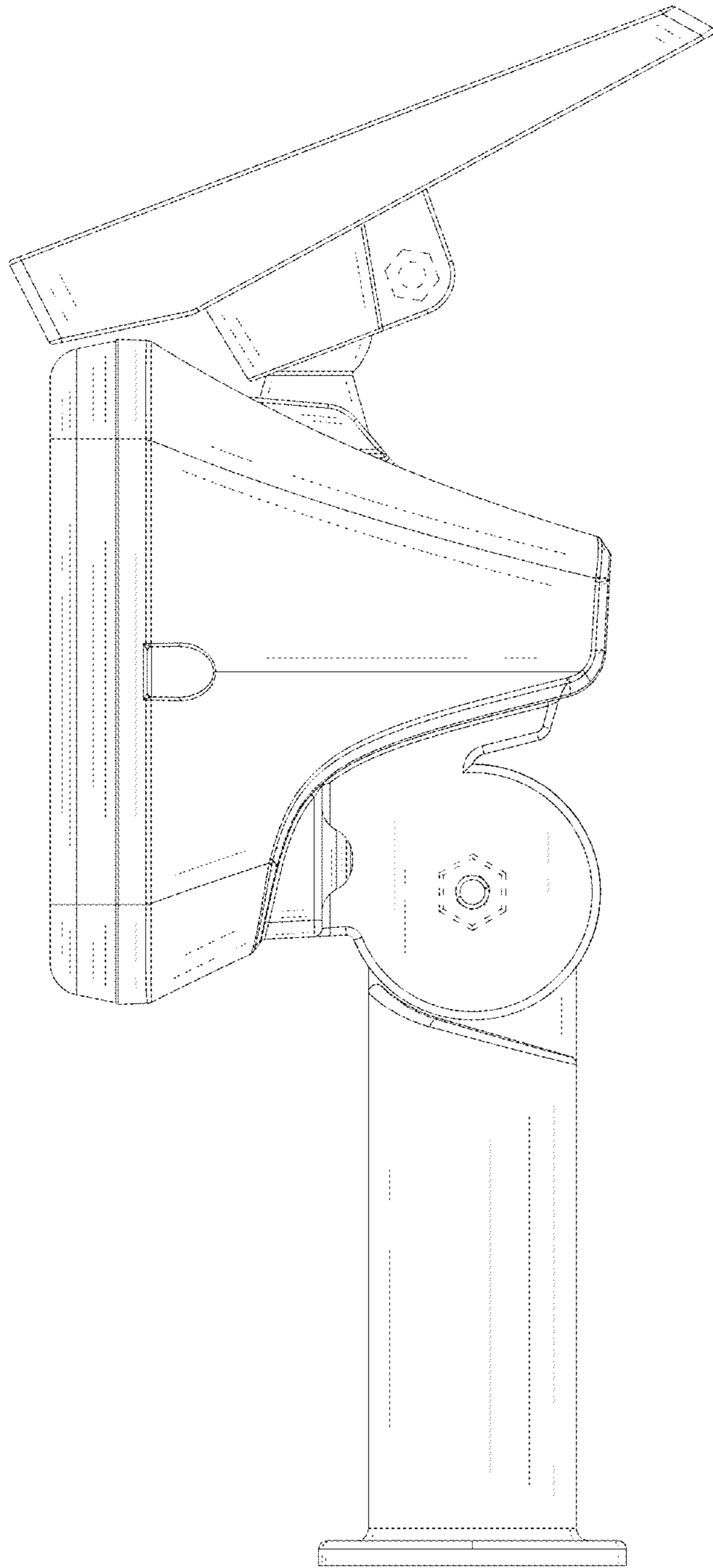


FIG. 5

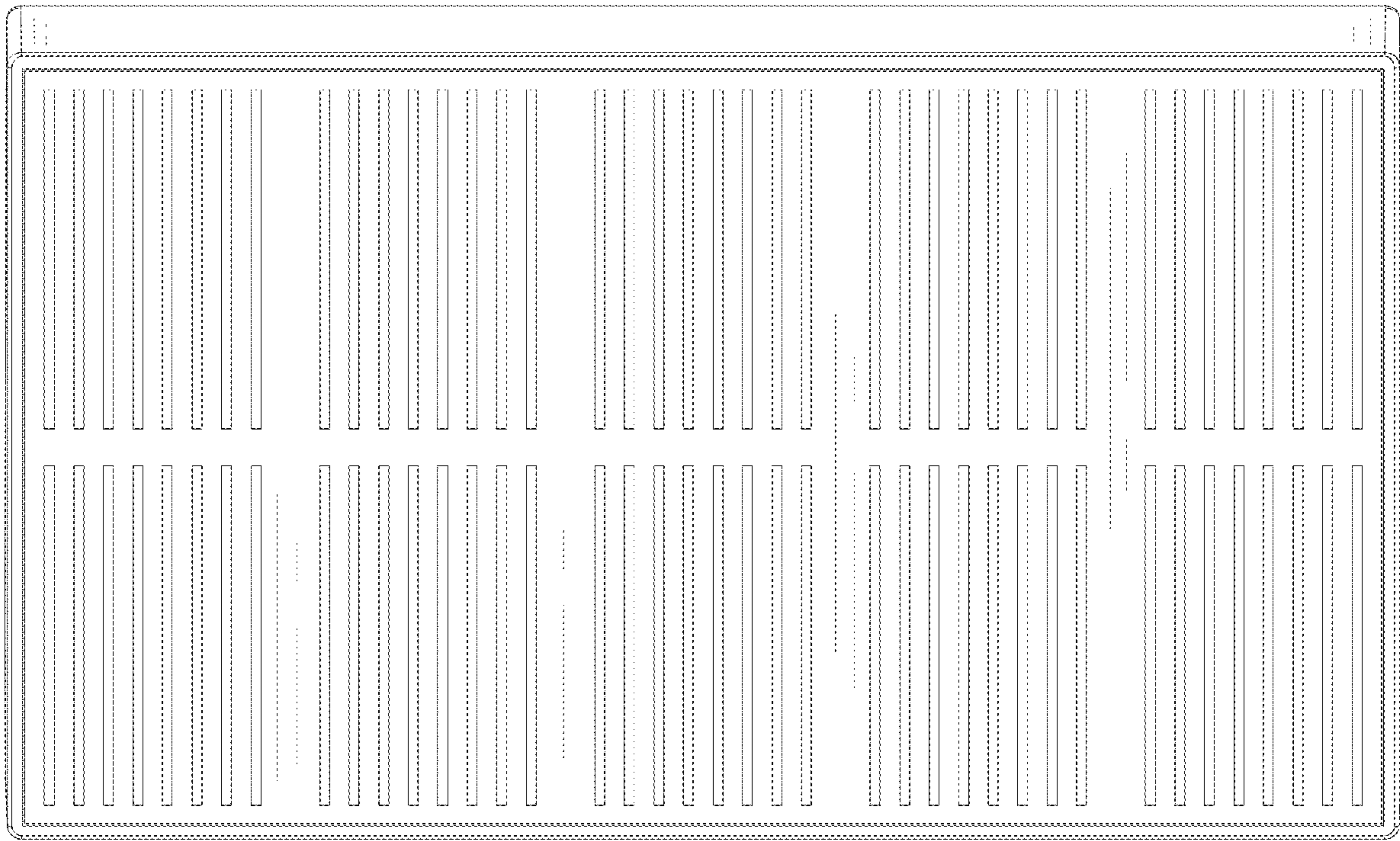


FIG. 6

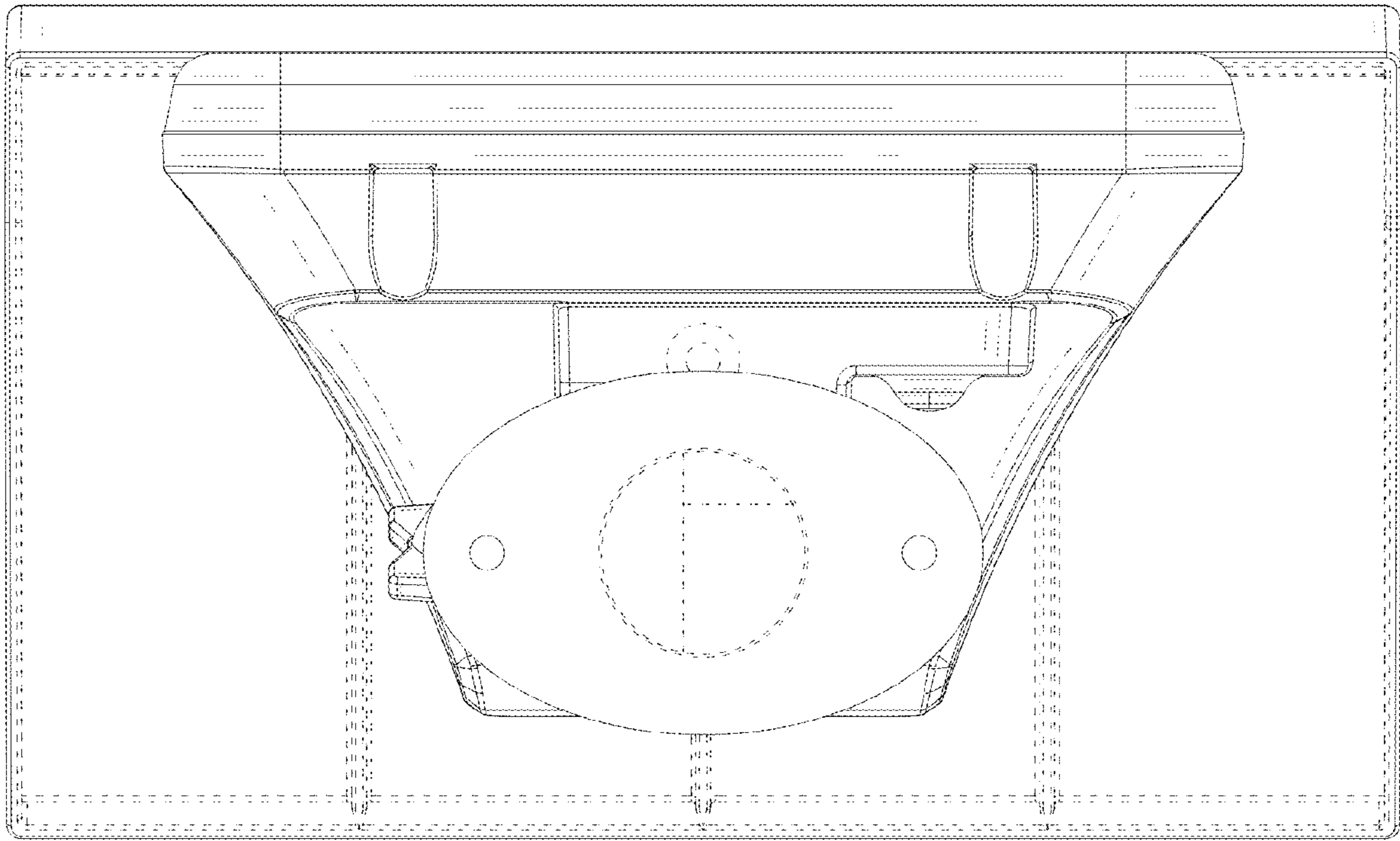


FIG. 7

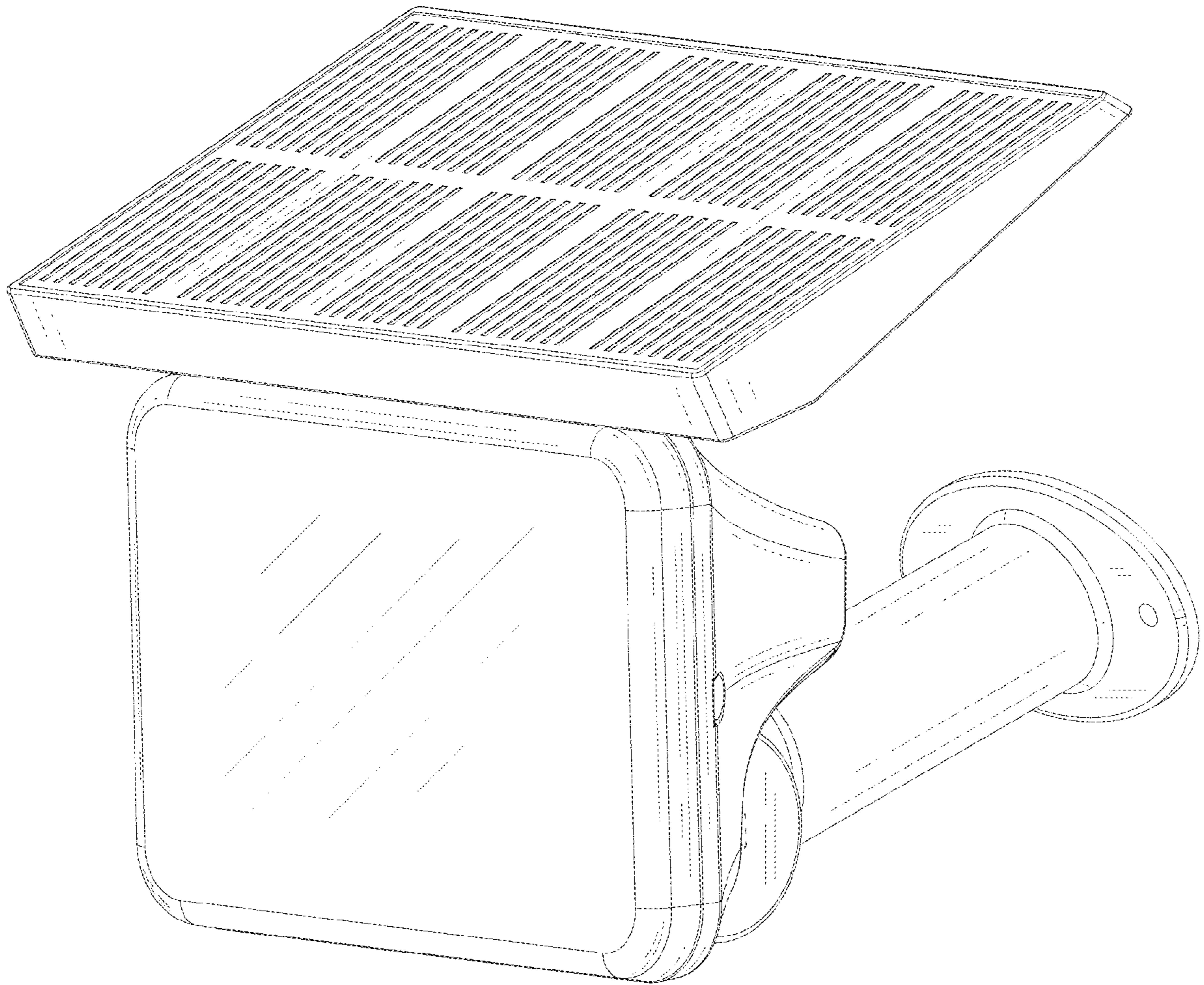


FIG. 8

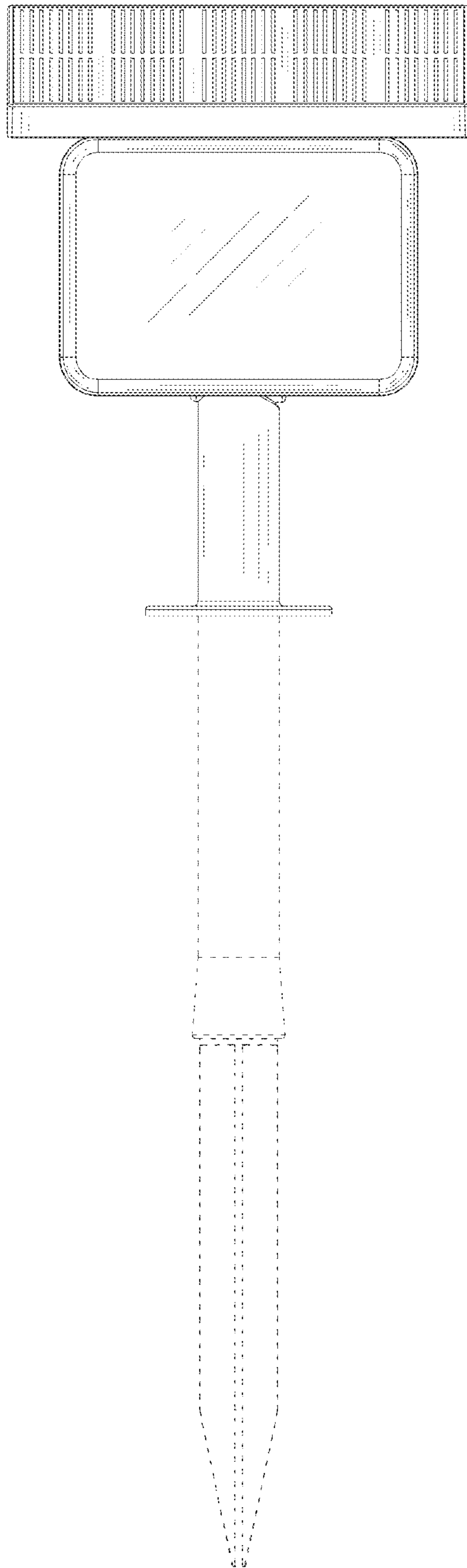


FIG. 9

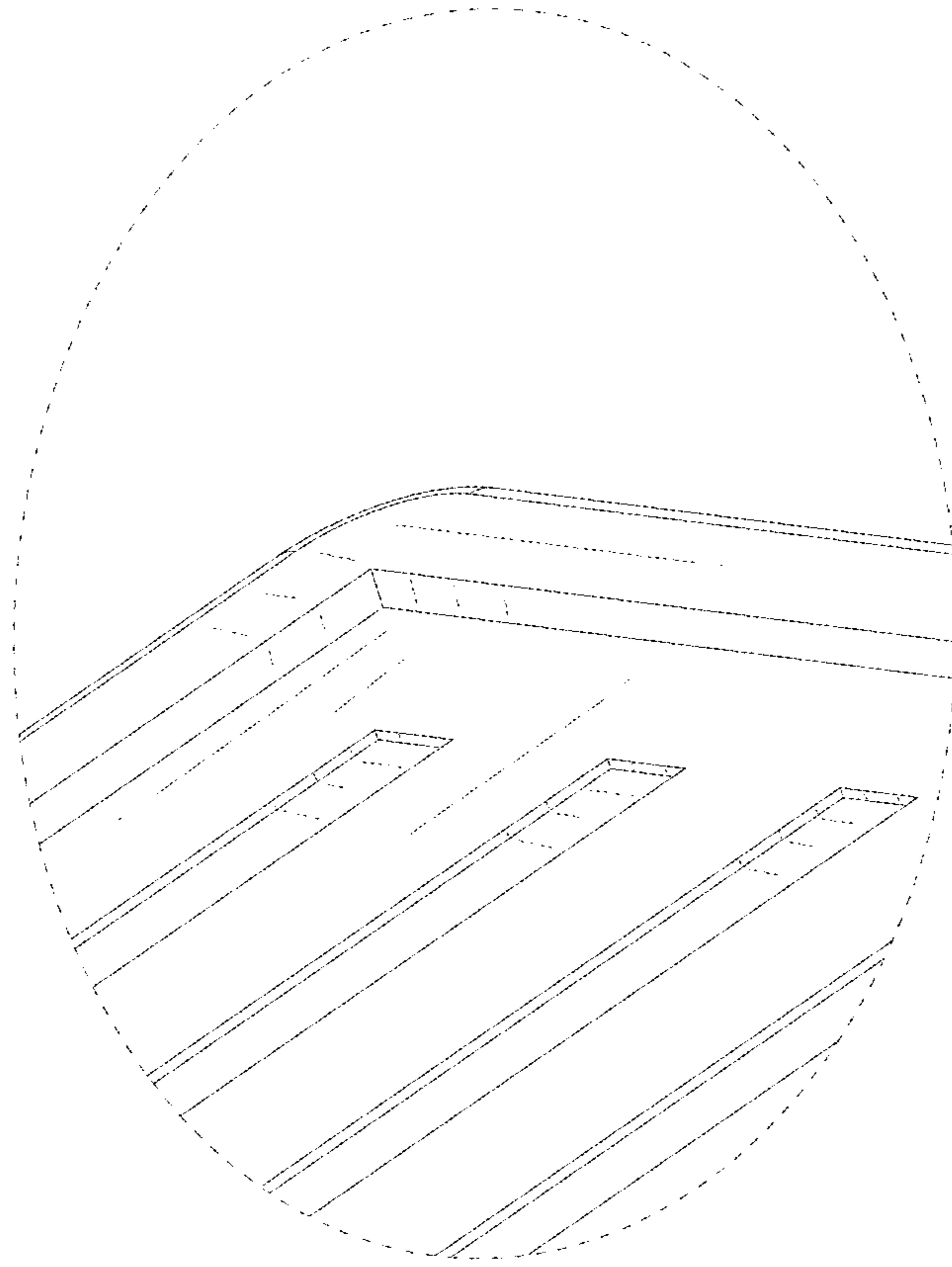


FIG. 10

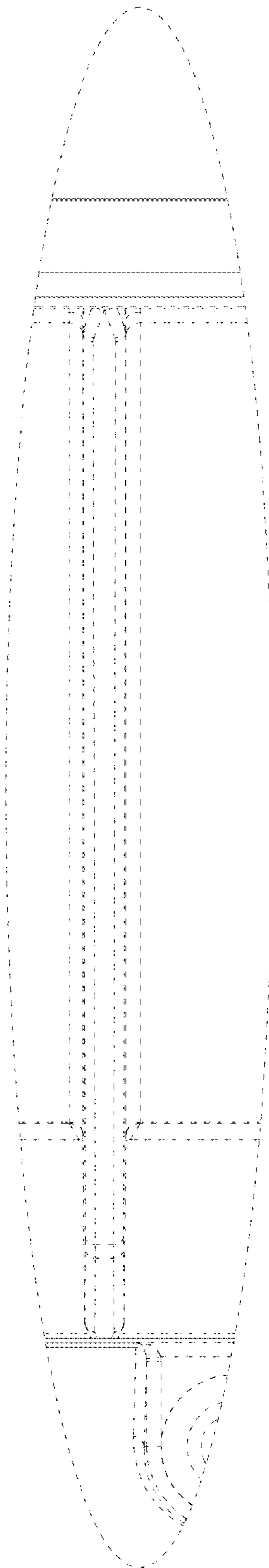


FIG. 11

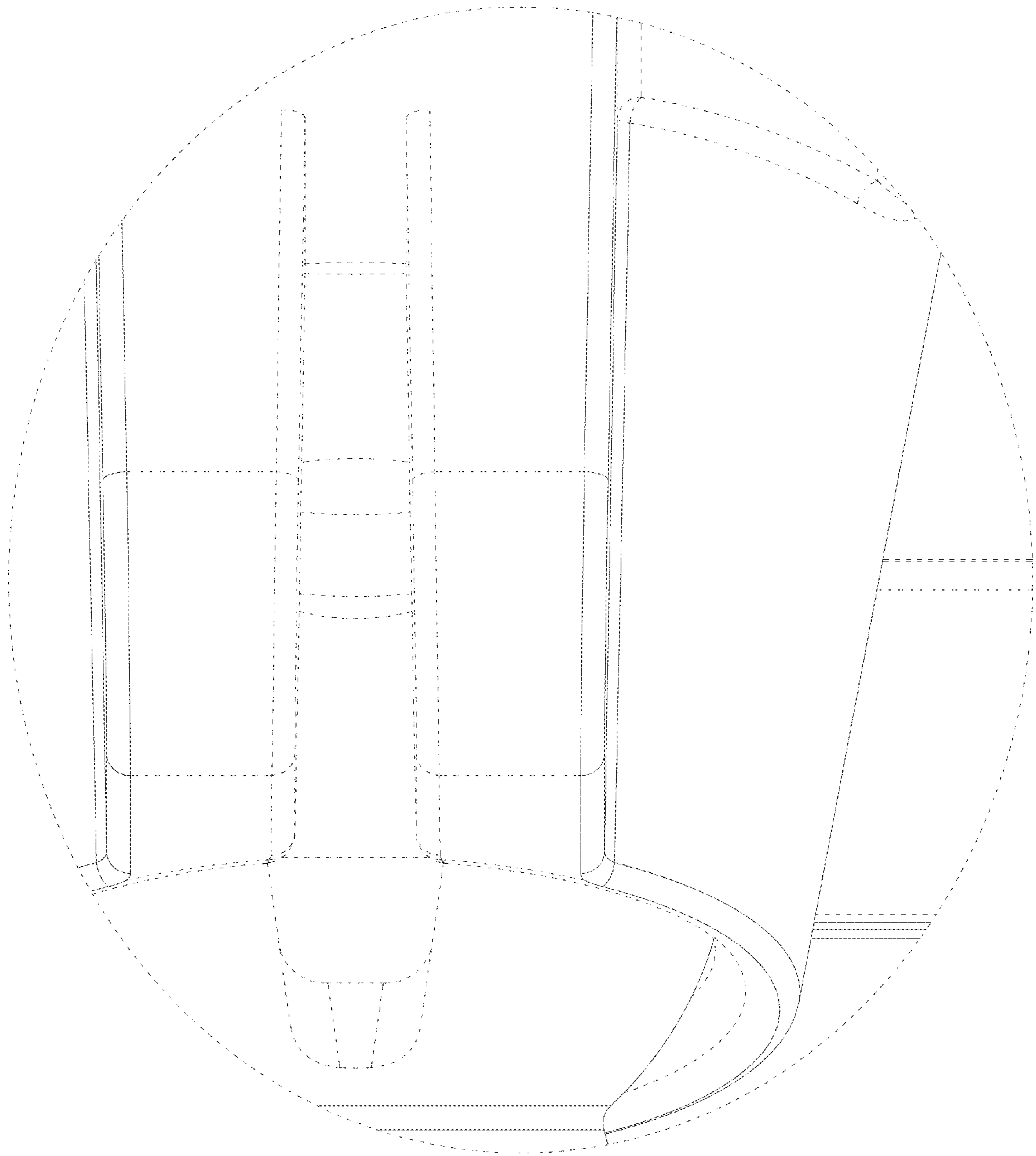


FIG. 12