



US00D981617S

(12) **United States Design Patent**
Jiang

(10) **Patent No.:** **US D981,617 S**

(45) **Date of Patent:** **** Mar. 21, 2023**

(54) **BOOK LIGHT**

(71) Applicant: **Hong Jiang**, Guangdong (CN)

(72) Inventor: **Hong Jiang**, Guangdong (CN)

(**) Term: **15 Years**

(21) Appl. No.: **29/859,708**

(22) Filed: **Nov. 11, 2022**

(51) **LOC (14) Cl.** **26-03**

(52) **U.S. Cl.**
USPC **D26/60**

(58) **Field of Classification Search**
USPC D26/28, 37, 39, 44, 57, 73, 60-65
CPC F21S 6/00; F21S 6/002-006; F21S 8/00;
F21S 8/083; F21W 2131/00; F21W
2131/30; F21W 2131/406; F21W
2131/3005; F21V 5/007; F21V 3/00;
F21V 3/02

See application file for complete search history.

(56) **References Cited**

U.S. PATENT DOCUMENTS

D407,517 S * 3/1999 Zeller D26/63
6,022,119 A * 2/2000 Booty, Jr. F21V 27/00
362/450

D518,586 S * 4/2006 Kaufman D26/61
D524,474 S * 7/2006 Lo D26/60
D594,149 S * 6/2009 Chan D26/60
D623,336 S * 9/2010 Levine D26/65
D625,864 S * 10/2010 Lo D26/44
D952,235 S * 5/2022 Simonelli D26/110

* cited by examiner

Primary Examiner — Michael A. Pratt

(57) **CLAIM**

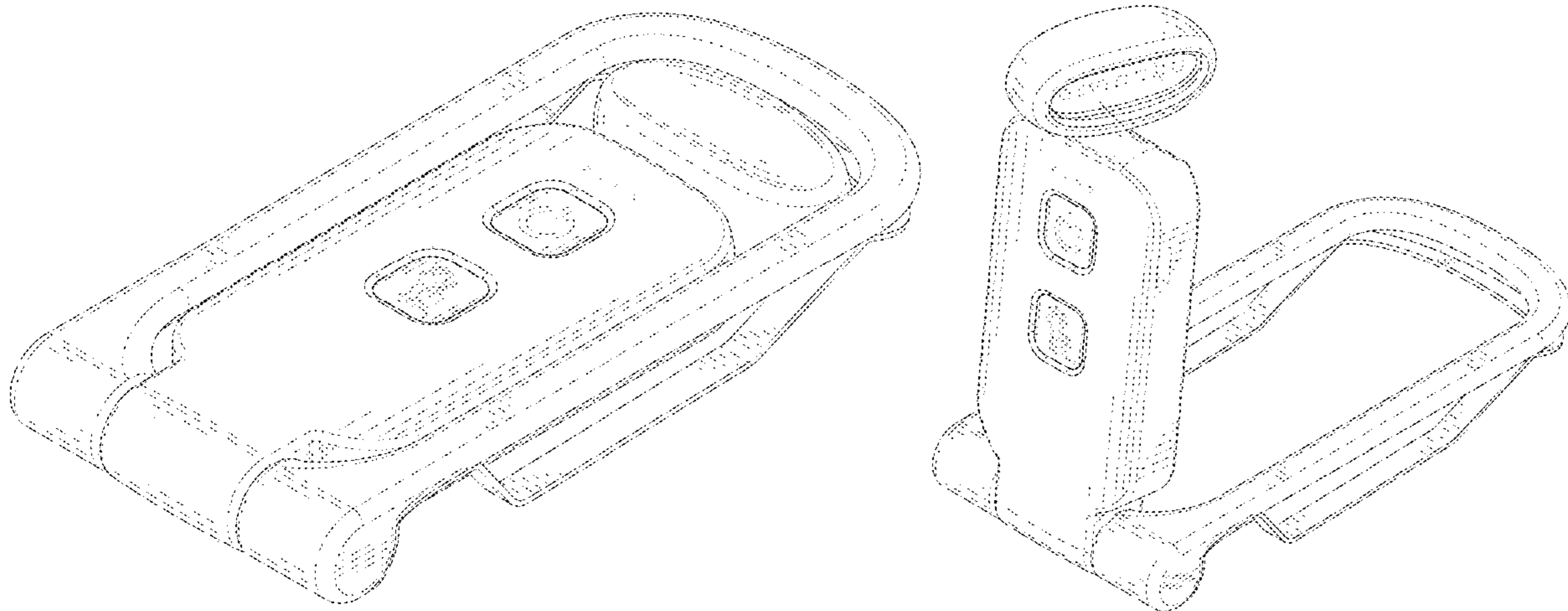
The ornamental design for a book light, as shown and described.

DESCRIPTION

FIG. 1 is a front and top perspective view of a book light, showing my new design;
FIG. 2 is a rear and bottom perspective view thereof;
FIG. 3 is a front elevation view thereof;
FIG. 4 is a rear elevation view thereof;
FIG. 5 is a left side elevation view thereof;
FIG. 6 is a right side elevation view thereof;
FIG. 7 is a top plan view thereof;
FIG. 8 is a bottom plan view thereof; and,
FIG. 9 is another perspective view thereof, shown in an alternative position.

The dashed lines in the figures illustrate portions of the book light that form no part of the claimed design.

1 Claim, 9 Drawing Sheets



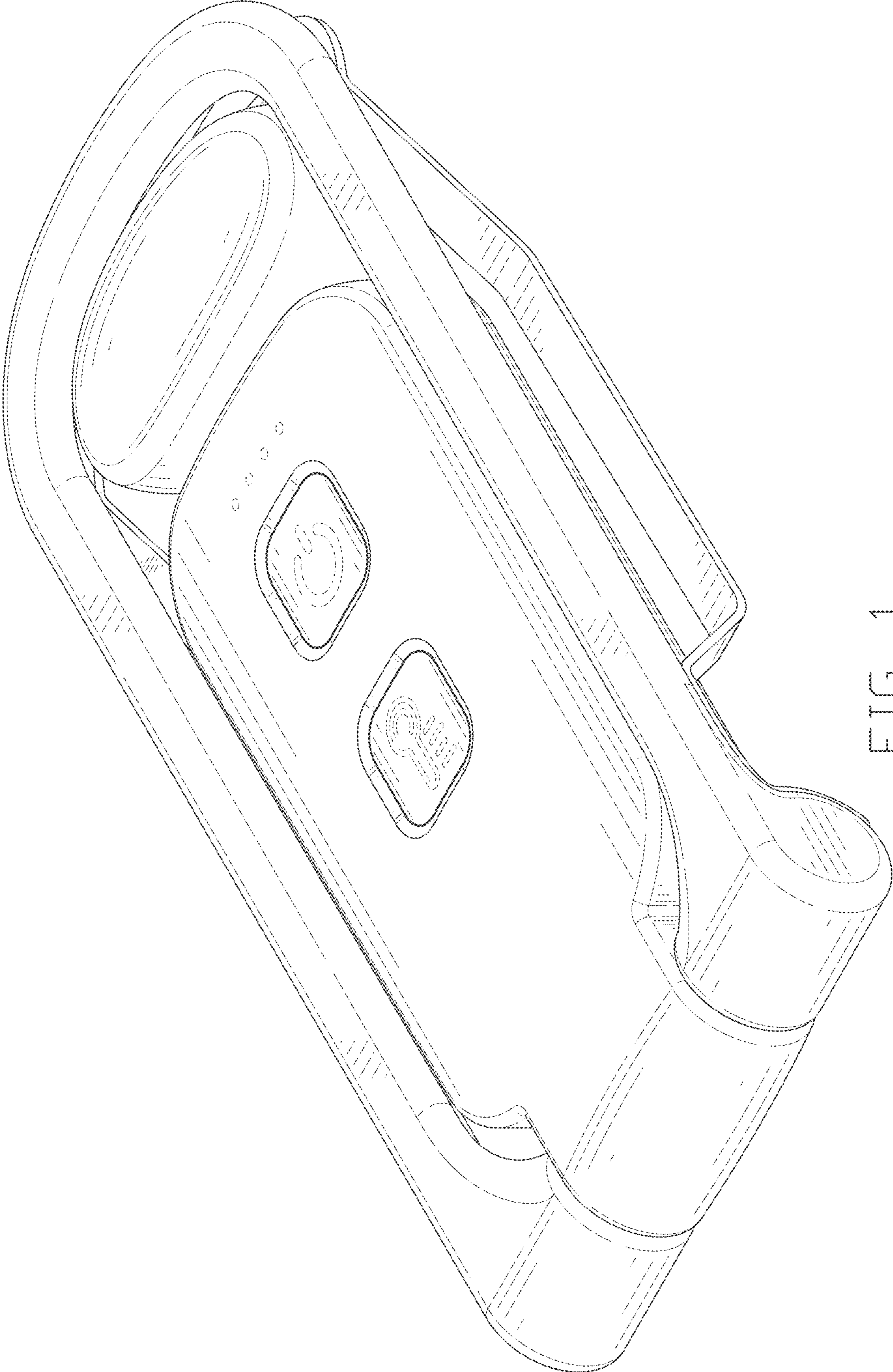


FIG. 1

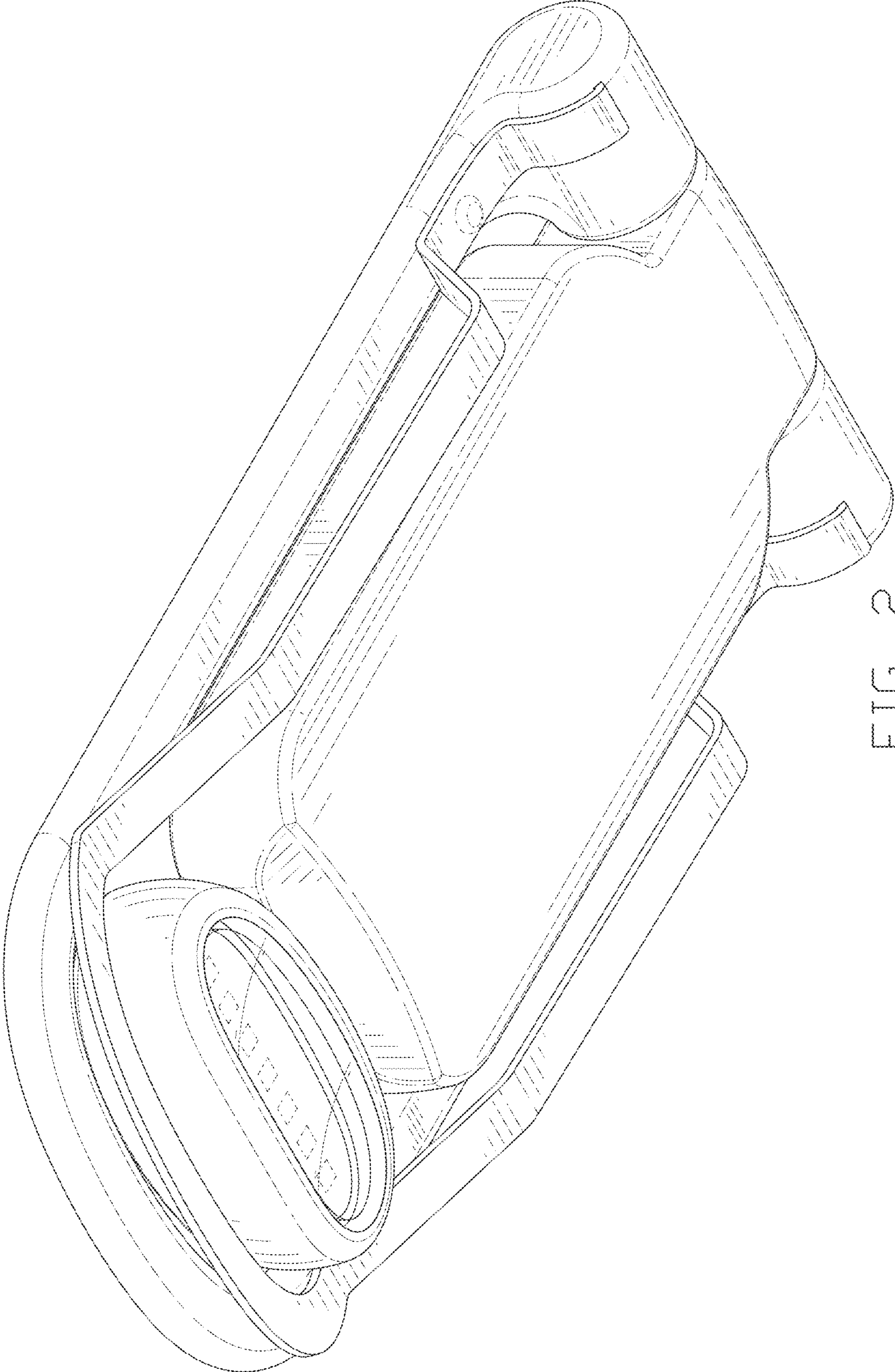


FIG. 2

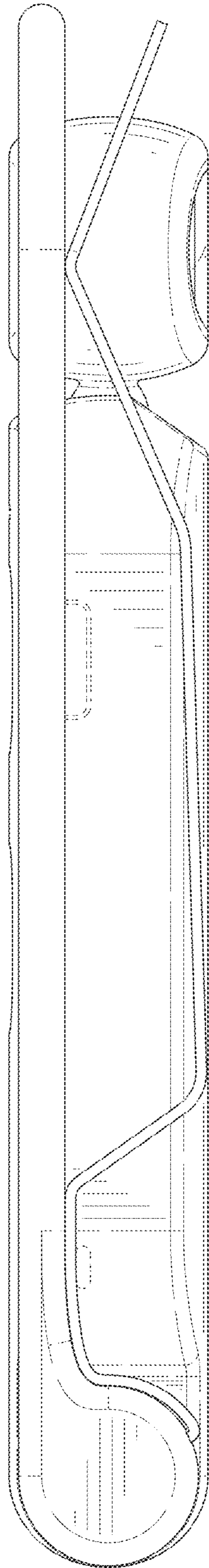


FIG. 3

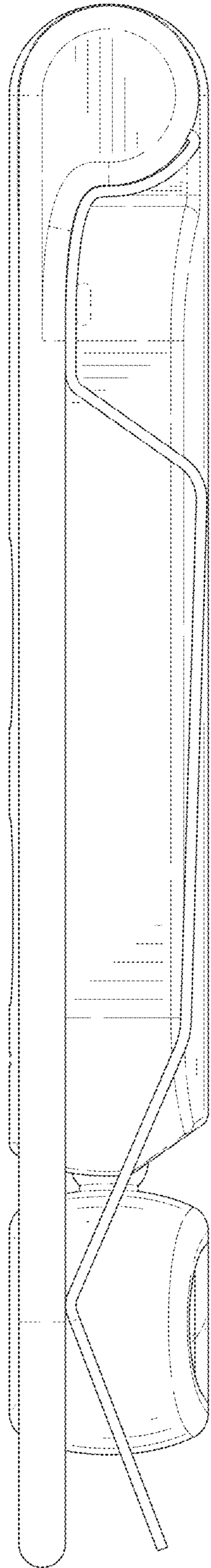


FIG. 4

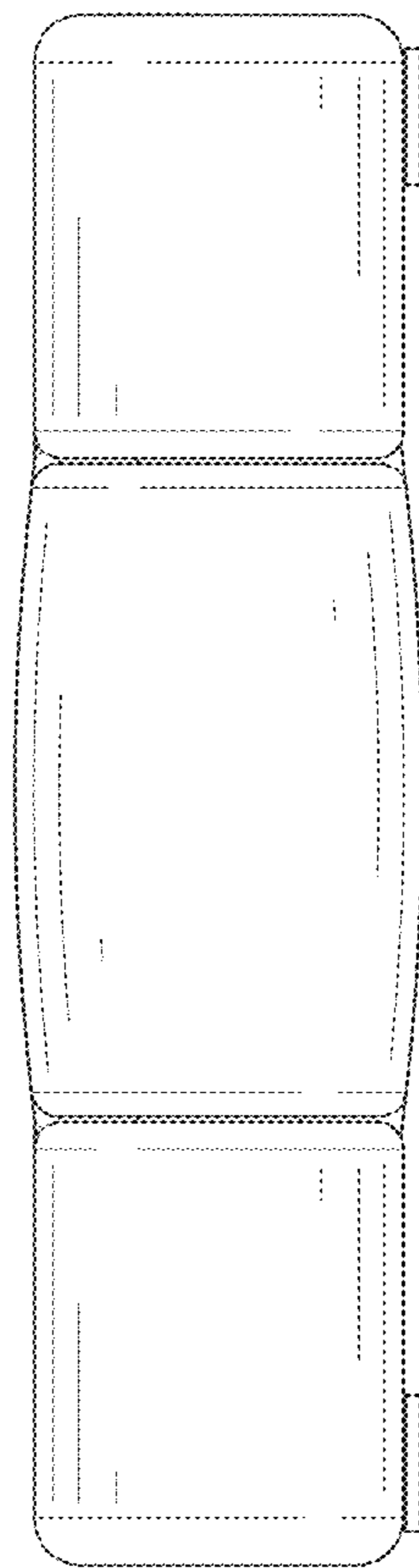


FIG. 5

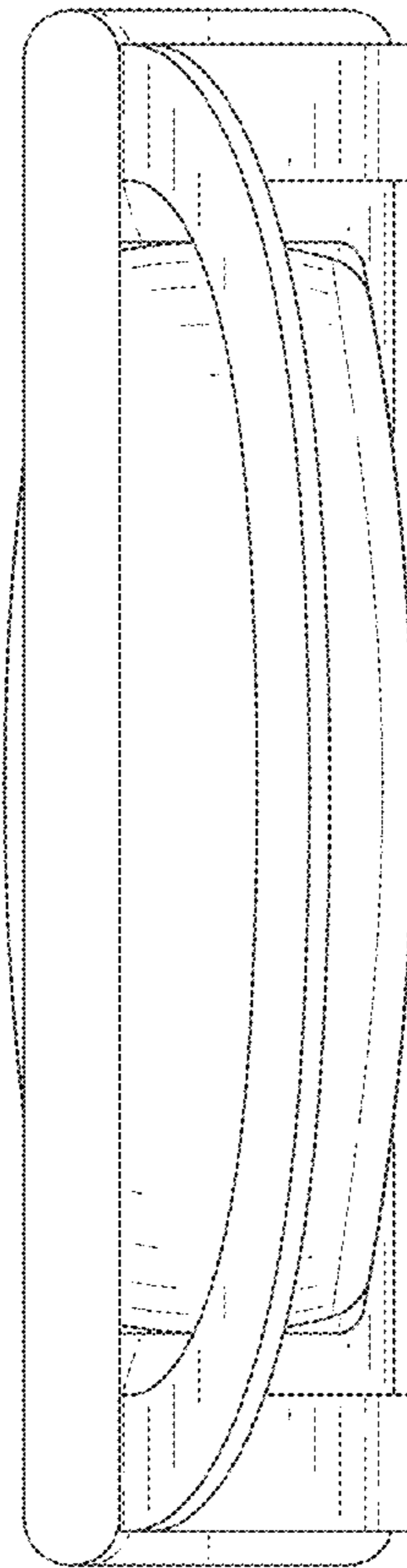


FIG. 6

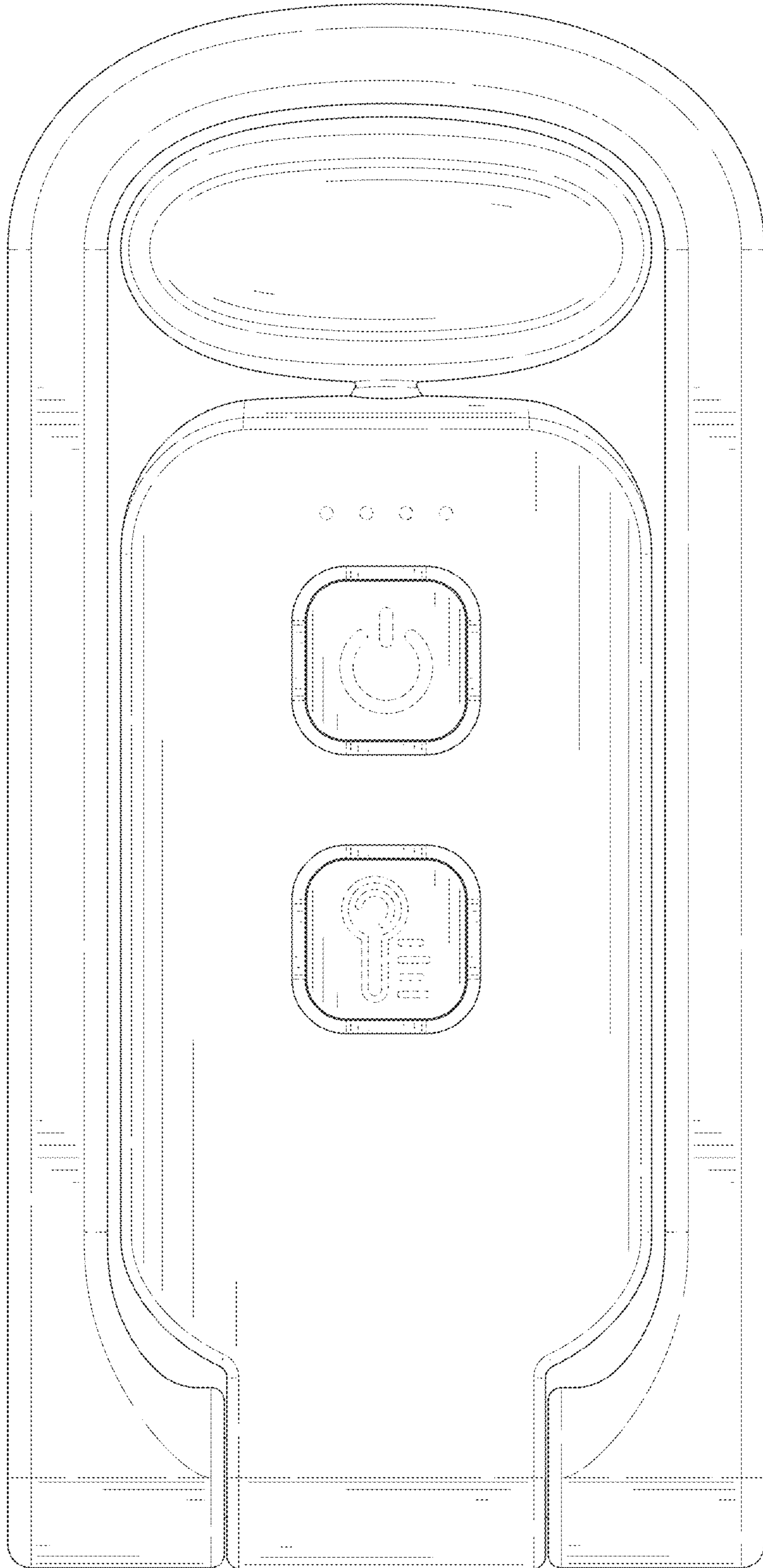


FIG. 7

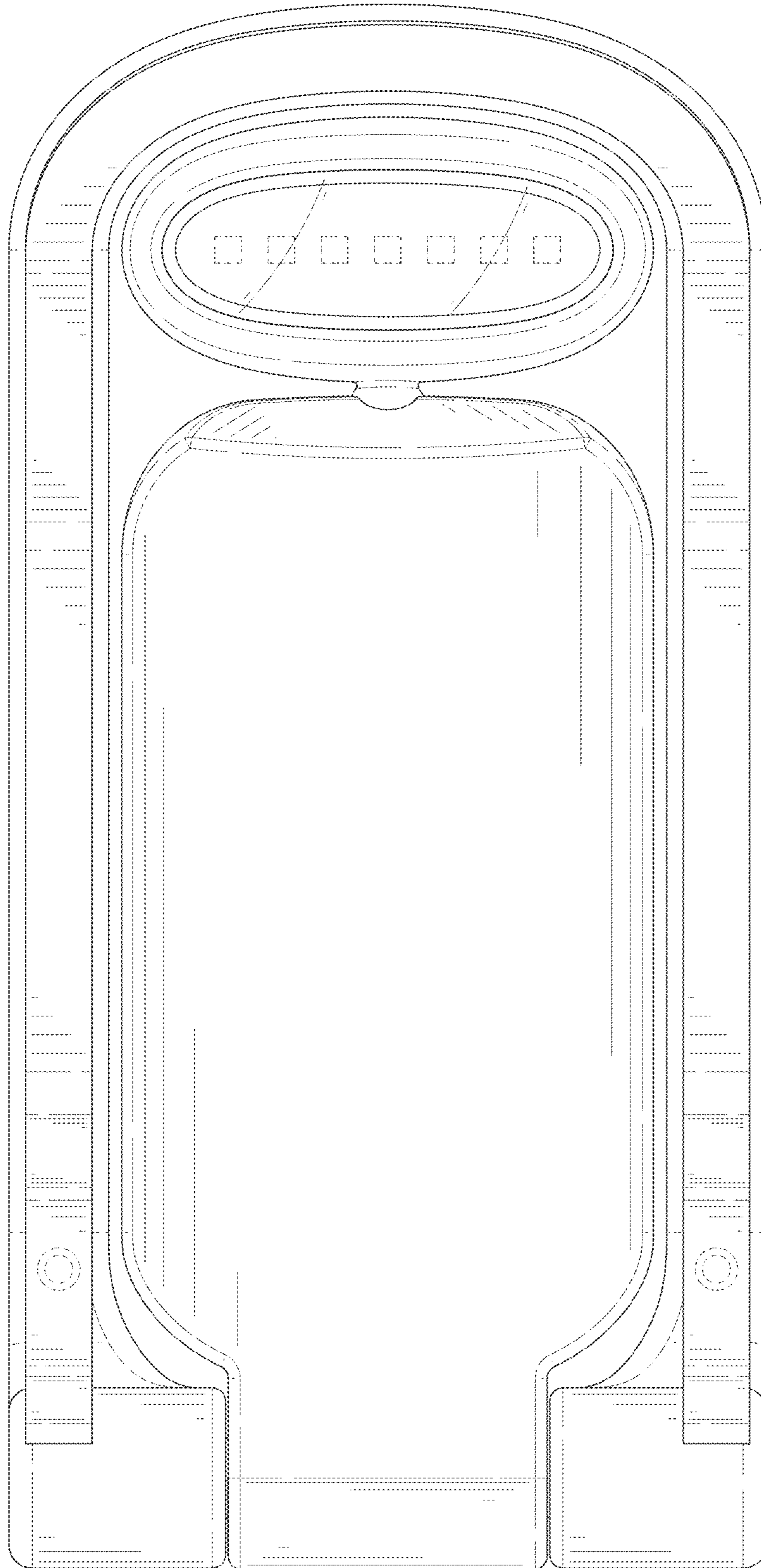


FIG. 8

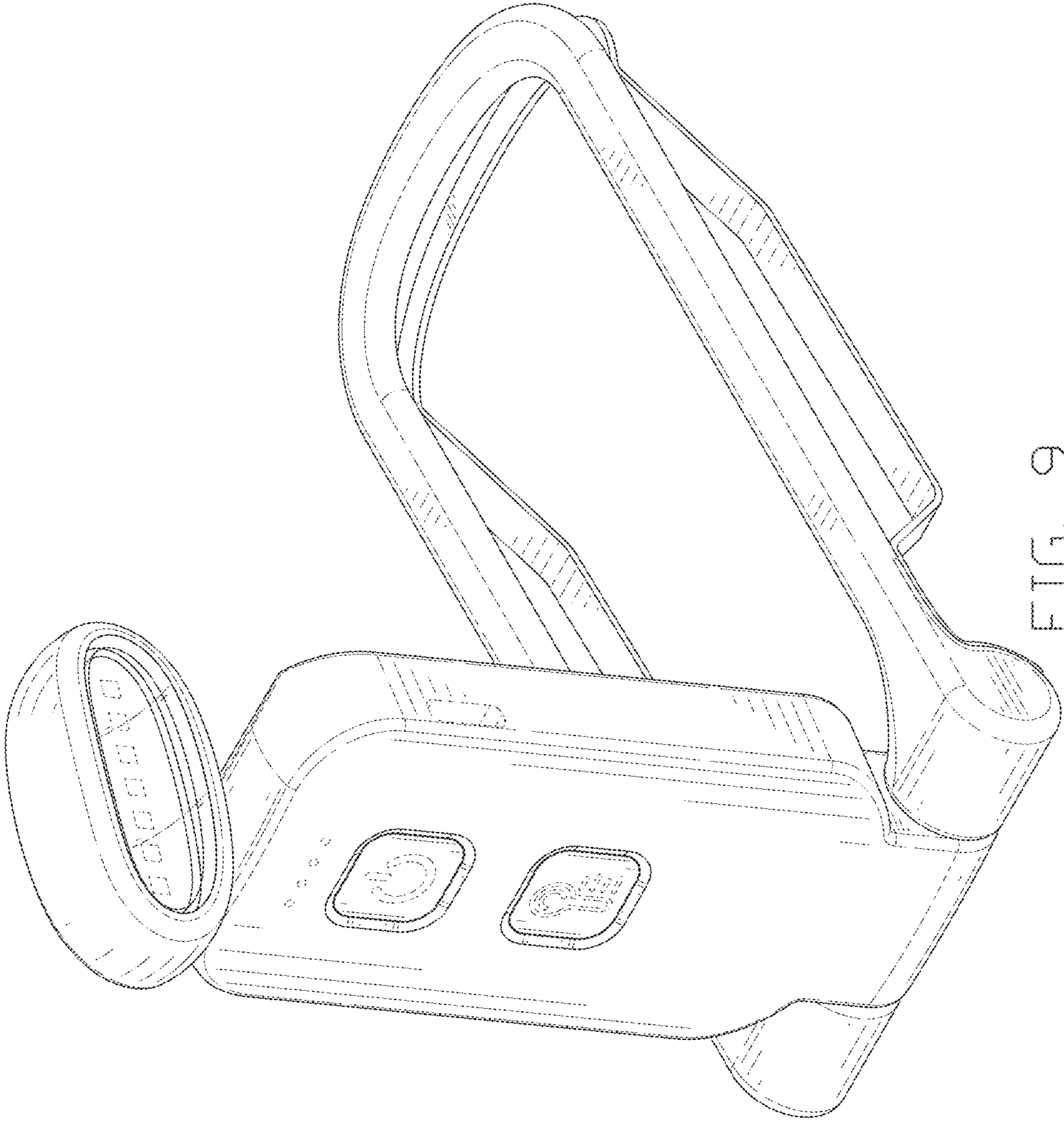


FIG. 9