



US00D981615S

(12) **United States Design Patent**
Jiang

(10) **Patent No.:** **US D981,615 S**
(45) **Date of Patent:** **** Mar. 21, 2023**

(54) **CAMPING LIGHT**

(71) Applicant: **Hong Jiang**, Guangdong (CN)

(72) Inventor: **Hong Jiang**, Guangdong (CN)

(**) Term: **15 Years**

(21) Appl. No.: **29/851,419**

(22) Filed: **Aug. 29, 2022**

(51) **LOC (14) Cl.** **26-02**

(52) **U.S. Cl.**
USPC **D26/40**

(58) **Field of Classification Search**
USPC D26/37-44, 46-52, 60-61, 72
CPC F21S 9/022; F21S 10/023; F21S 10/005;
F21S 13/00; F21L 4/00; F21L 2001/00;
F21L 4/02; F21L 4/04; F21L 4/005; F21L
4/022; F21L 4/045; F21L 4/085; F21L
21/00; F21L 14/02; F21L 14/023
See application file for complete search history.

(56) **References Cited**

U.S. PATENT DOCUMENTS

2,205,163	A *	6/1940	Blau	F21L 2/00	D26/44
D443,099	S *	5/2001	Williams		D26/87
D578,695	S *	10/2008	Zheng		D26/70
D578,696	S *	10/2008	Wang		D26/70
D613,443	S *	4/2010	Chen		D26/70
D768,321	S *	10/2016	Inskeep		D26/37
D882,851	S *	4/2020	Deng		D26/2
D884,952	S *	5/2020	Cao		D26/2
D885,629	S *	5/2020	Liu		D26/2
D885,630	S *	5/2020	Lin		D26/2
D908,941	S *	1/2021	Cai		D26/63
D916,347	S *	4/2021	Liu		D26/2
D944,433	S *	2/2022	Chen	F21L 2/00	D26/63
D952,222	S *	5/2022	Shen	F21V 33/00	D26/2

D953,588	S	5/2022	Chen		
D956,305	S *	6/2022	Mo	D26/63
2008/0036584	A1 *	2/2008	Lang	F21V 33/00
					340/473

(Continued)

FOREIGN PATENT DOCUMENTS

CN	306385787	*	3/2021
CN	306715601	*	7/2021
CN	306733079	*	8/2021

OTHER PUBLICATIONS

“Jennten LED Garage Lights,” Aug. 5, 2019, amazon.com, site visited Jan. 11, 2023, URL: <https://www.amazon.com/6000Lumens-Adjustable-Trilight-Workshop-Warehouse/dp/B07W53Y4DL/> (Year: 2019).*

(Continued)

Primary Examiner — Christy Nemeth
Assistant Examiner — Sarah L Smith

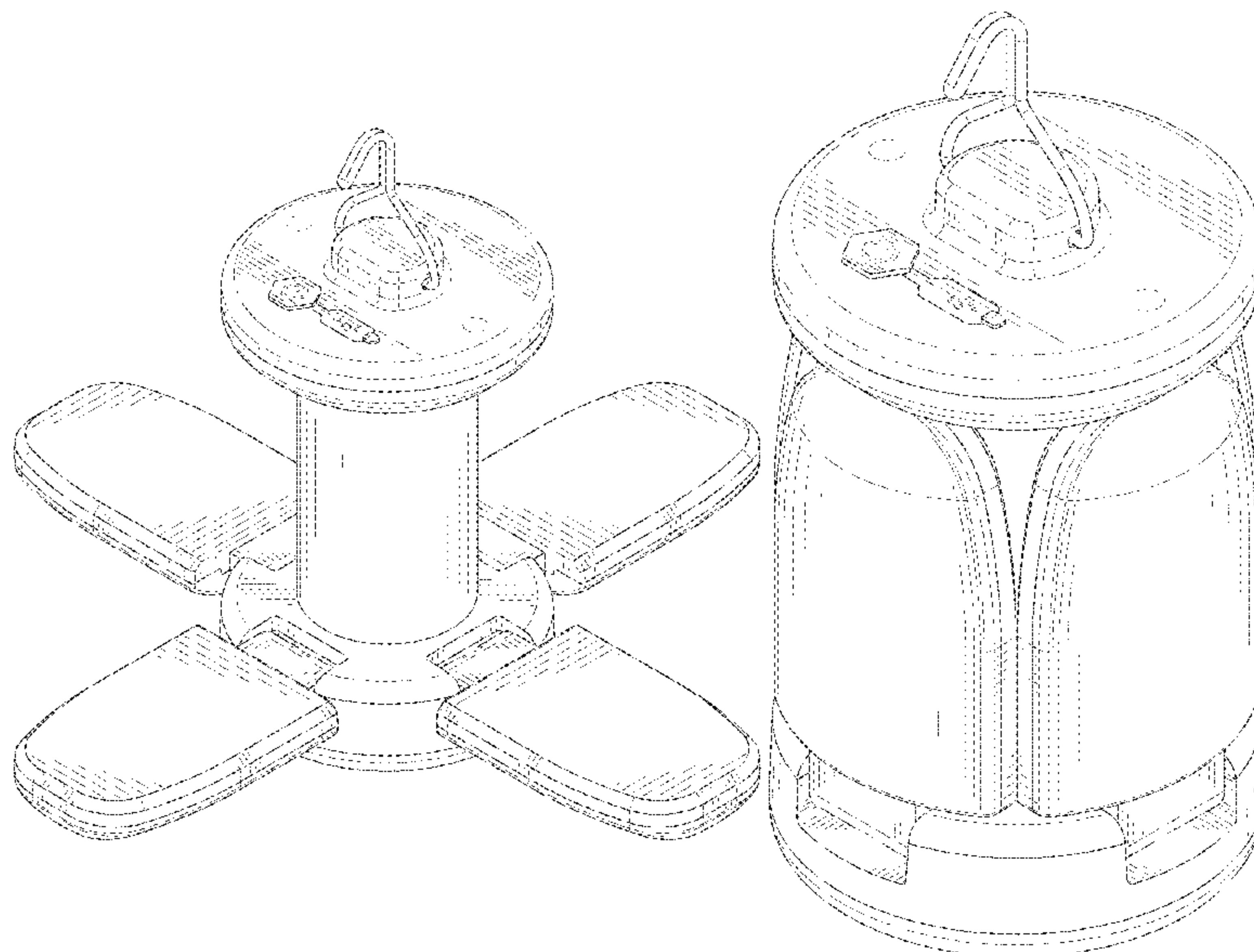
(57) **CLAIM**

The ornamental design for a camping light, as shown and described.

DESCRIPTION

FIG. 1 is a front and top perspective view of a camping light, showing my new design;
FIG. 2 is a rear and bottom perspective view thereof;
FIG. 3 is a front elevation view thereof;
FIG. 4 is a rear elevation view thereof;
FIG. 5 is a left side elevation view thereof;
FIG. 6 is a right side elevation view thereof;
FIG. 7 is a top plan view thereof;
FIG. 8 is a bottom plan view thereof; and,
FIG. 9 is another perspective view thereof, shown in an alternative position.
The broken lines in the figures illustrate portions of the camping light that form no part of the claimed design.

1 Claim, 9 Drawing Sheets



(56)

References Cited

U.S. PATENT DOCUMENTS

2009/0237927 A1* 9/2009 Zheng F21S 2/005
362/373

OTHER PUBLICATIONS

“Homelazy 2 Pack LED Garage Lights,” Jun. 2, 2020, amazon.com, site visited Jan. 11, 2023, URL: <https://www.amazon.com/Garage-Deformable-Ceiling-Adjustable-Basement/dp/B089K88S6Z?th=1> (Year: 2020).*

“LitezAll Rechargeable Work Light,” Apr. 6, 2021, amazon.com, site visited Jan. 11, 2023, URL: <https://www.amazon.com/LitezAll-Rechargeable-Work-Light-Cordless/dp/B091V52TGF/> (Year: 2021).*

* cited by examiner

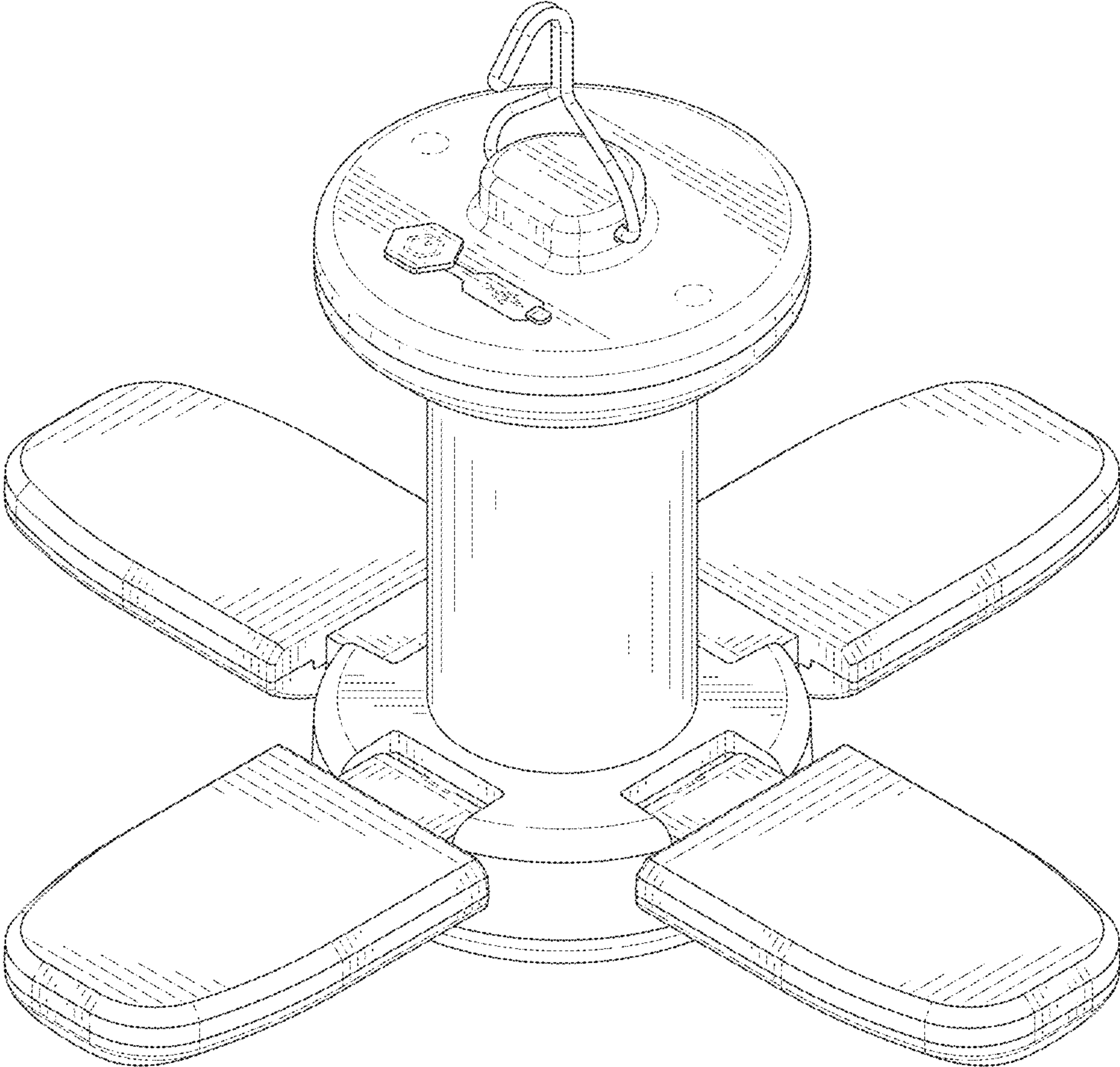


FIG. 1

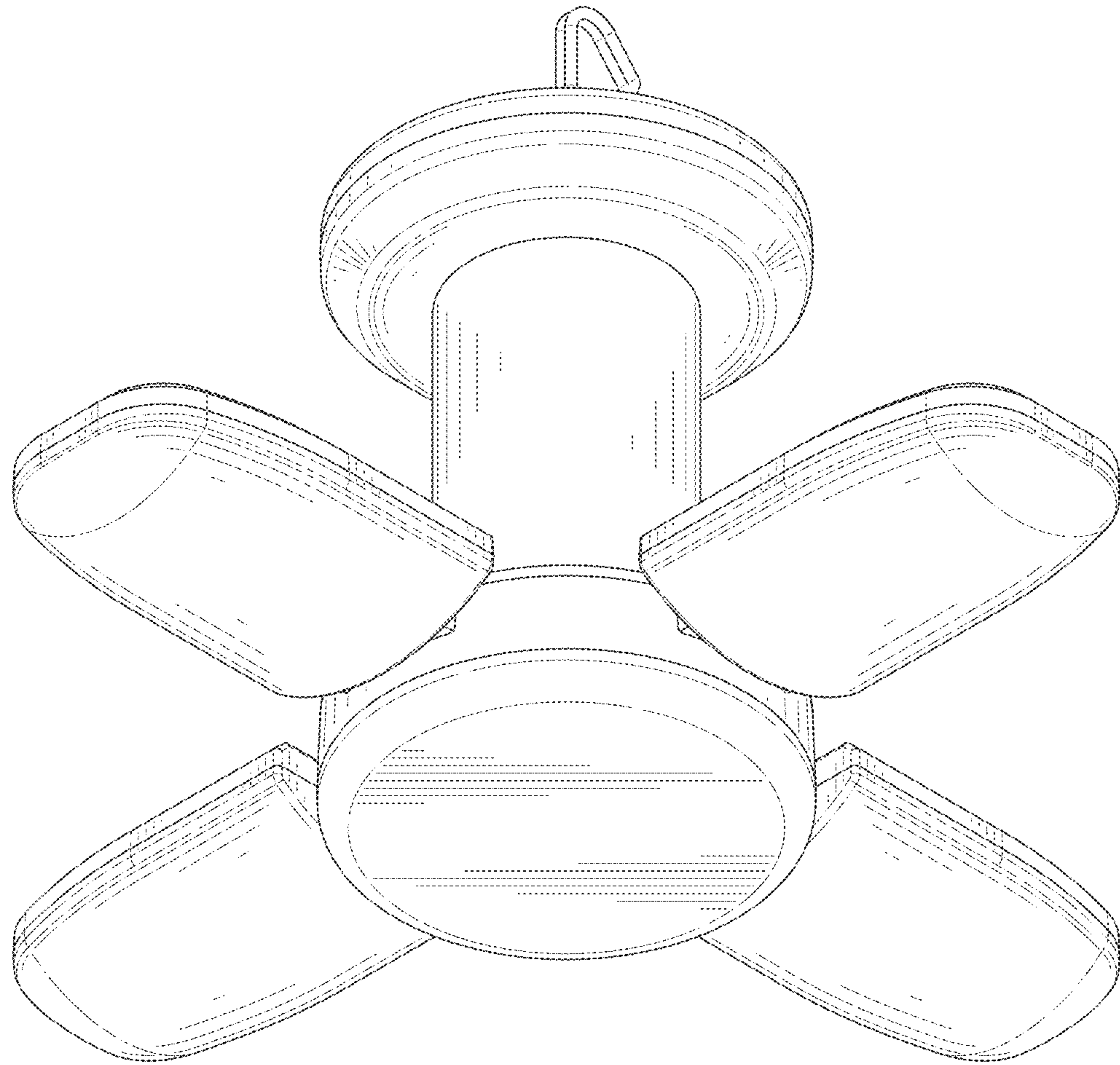


FIG. 2

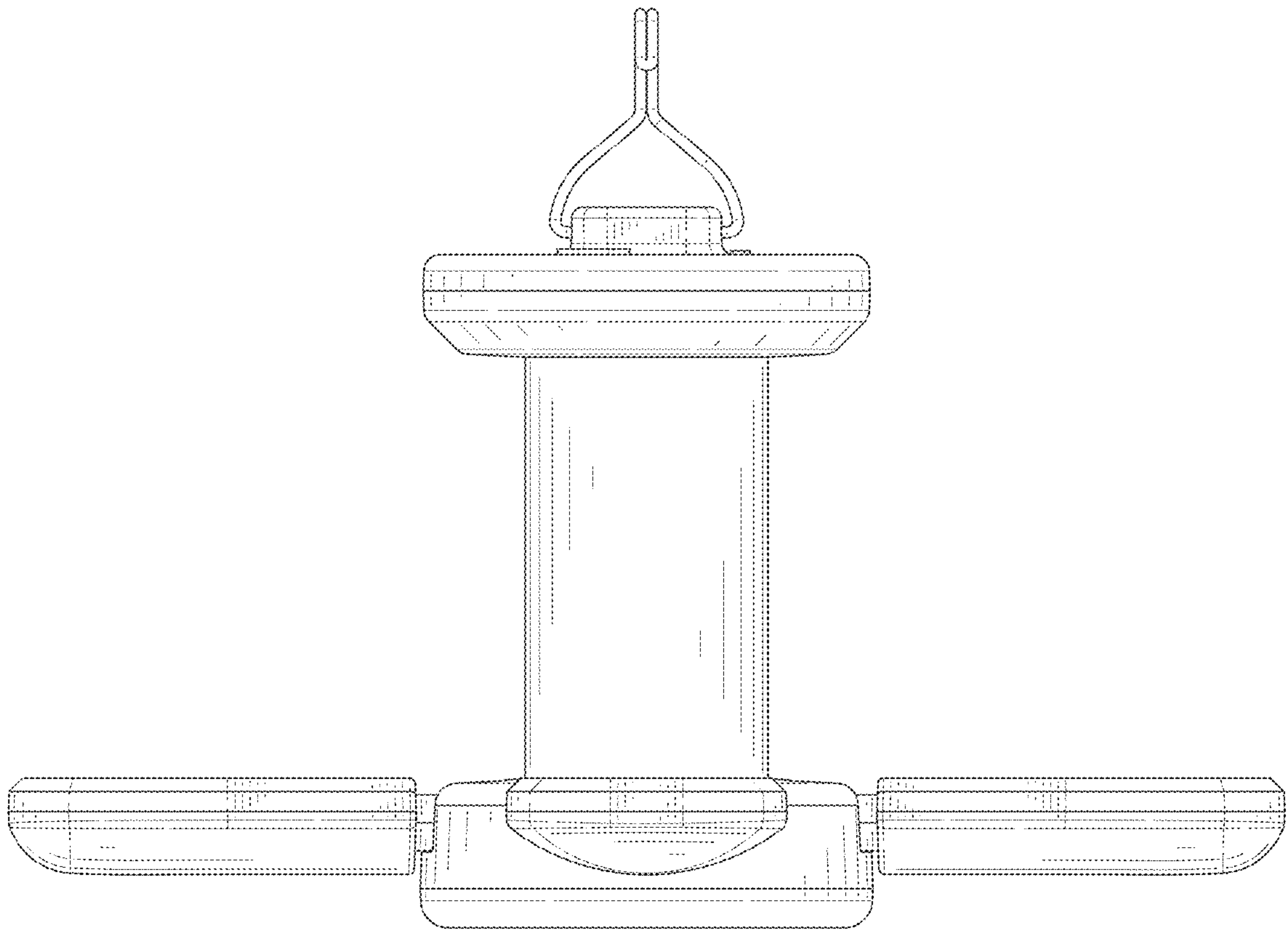


FIG. 3

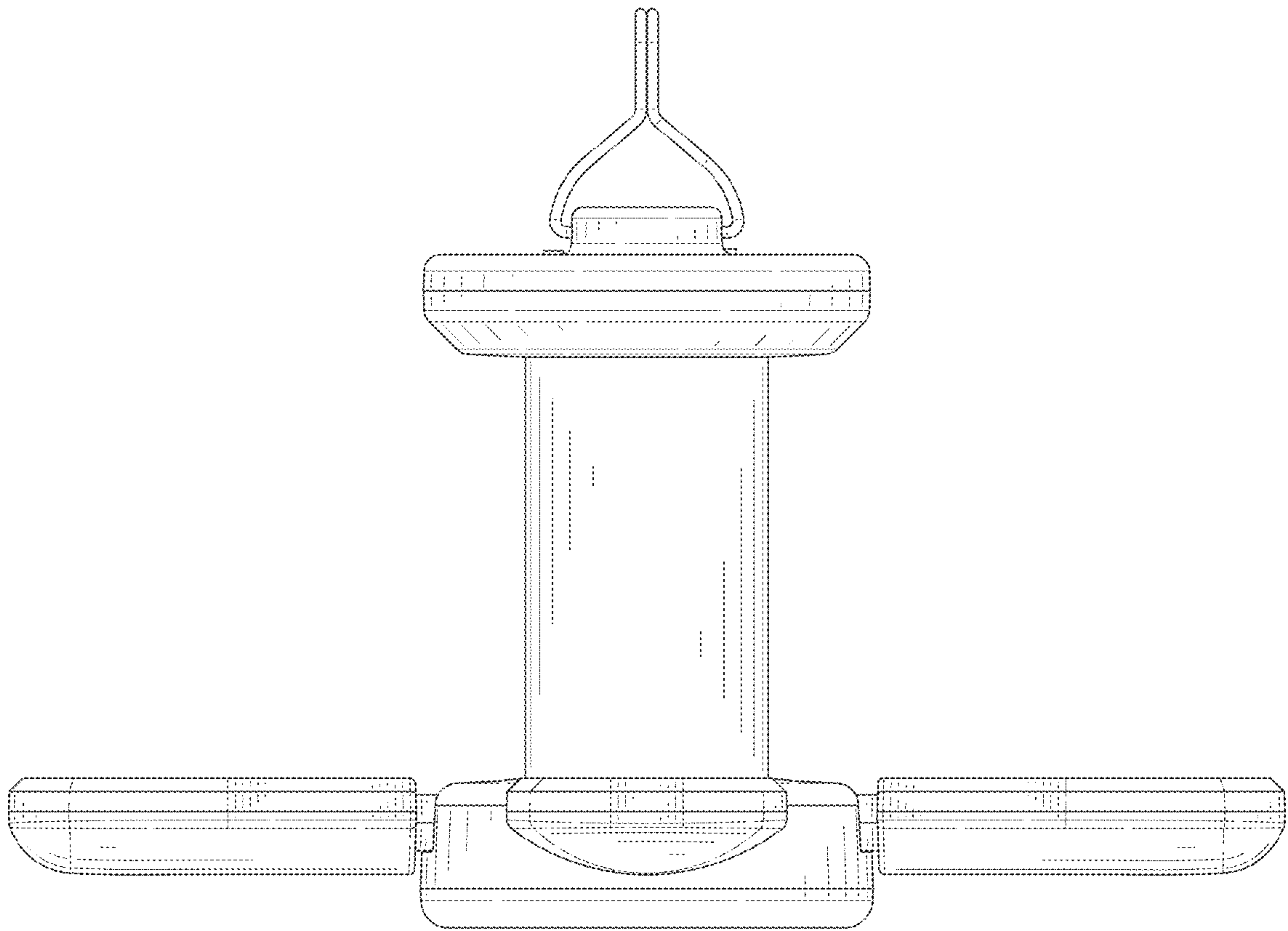


FIG. 4

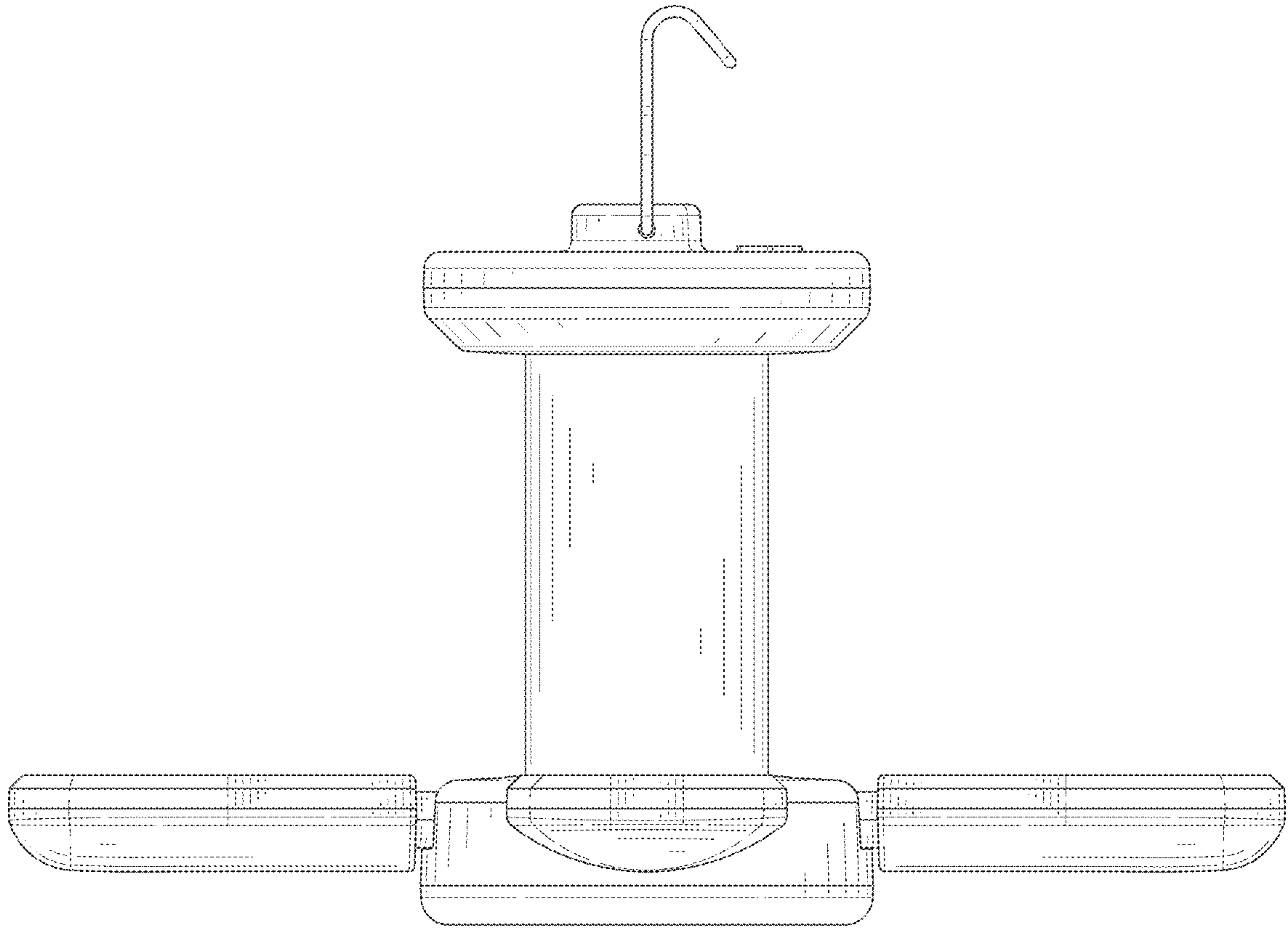


FIG. 5

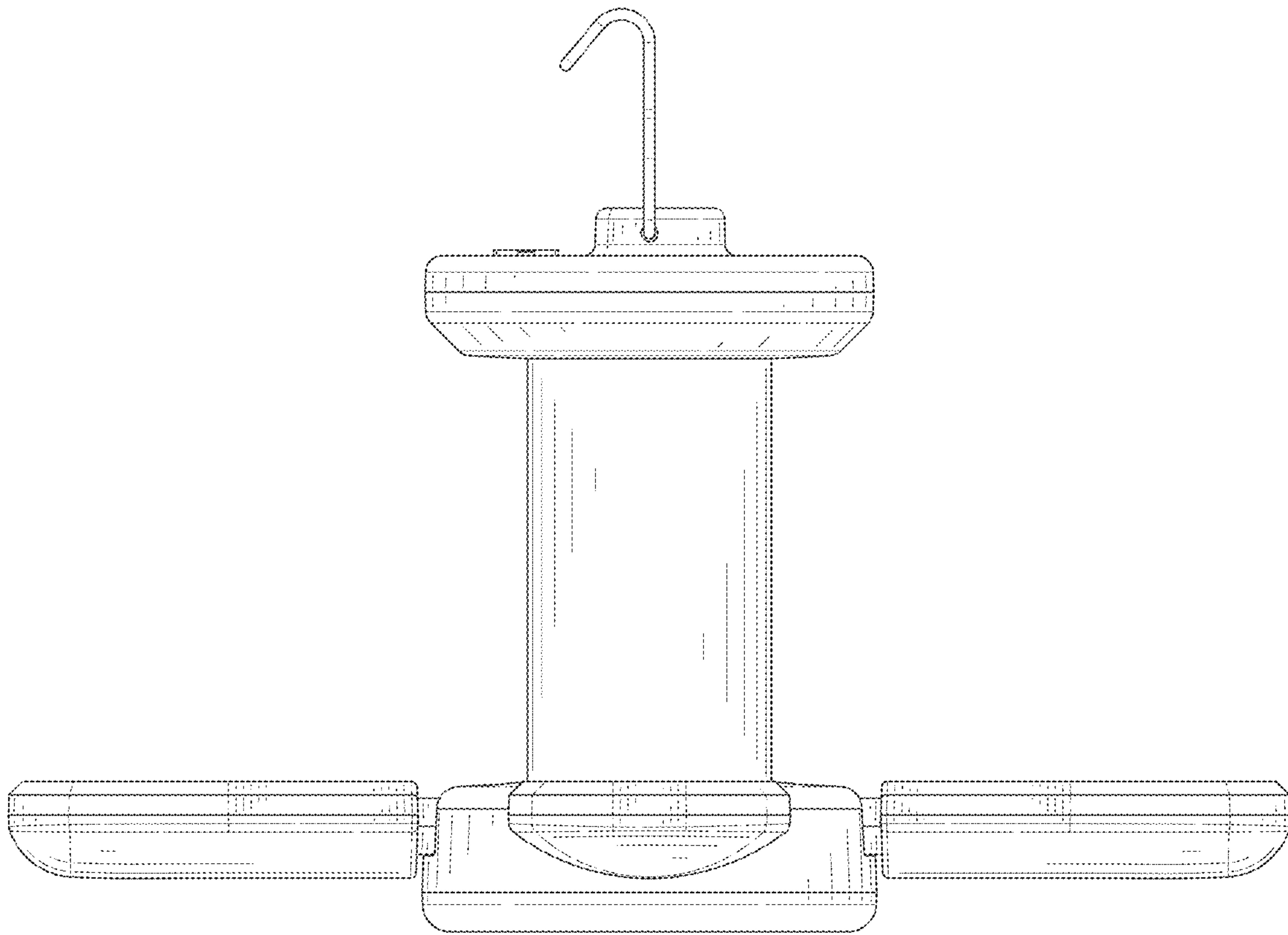


FIG. 6

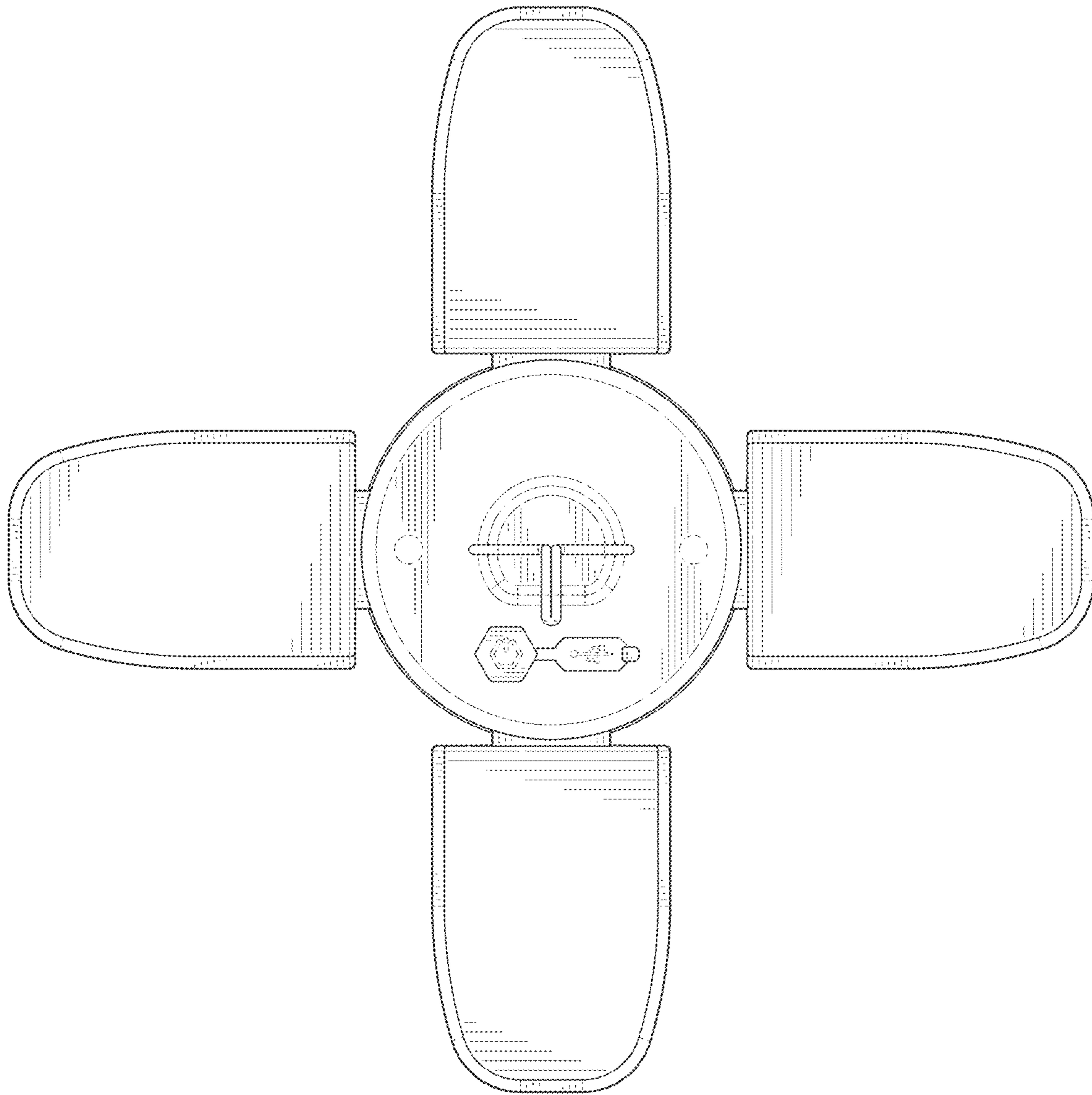


FIG. 7

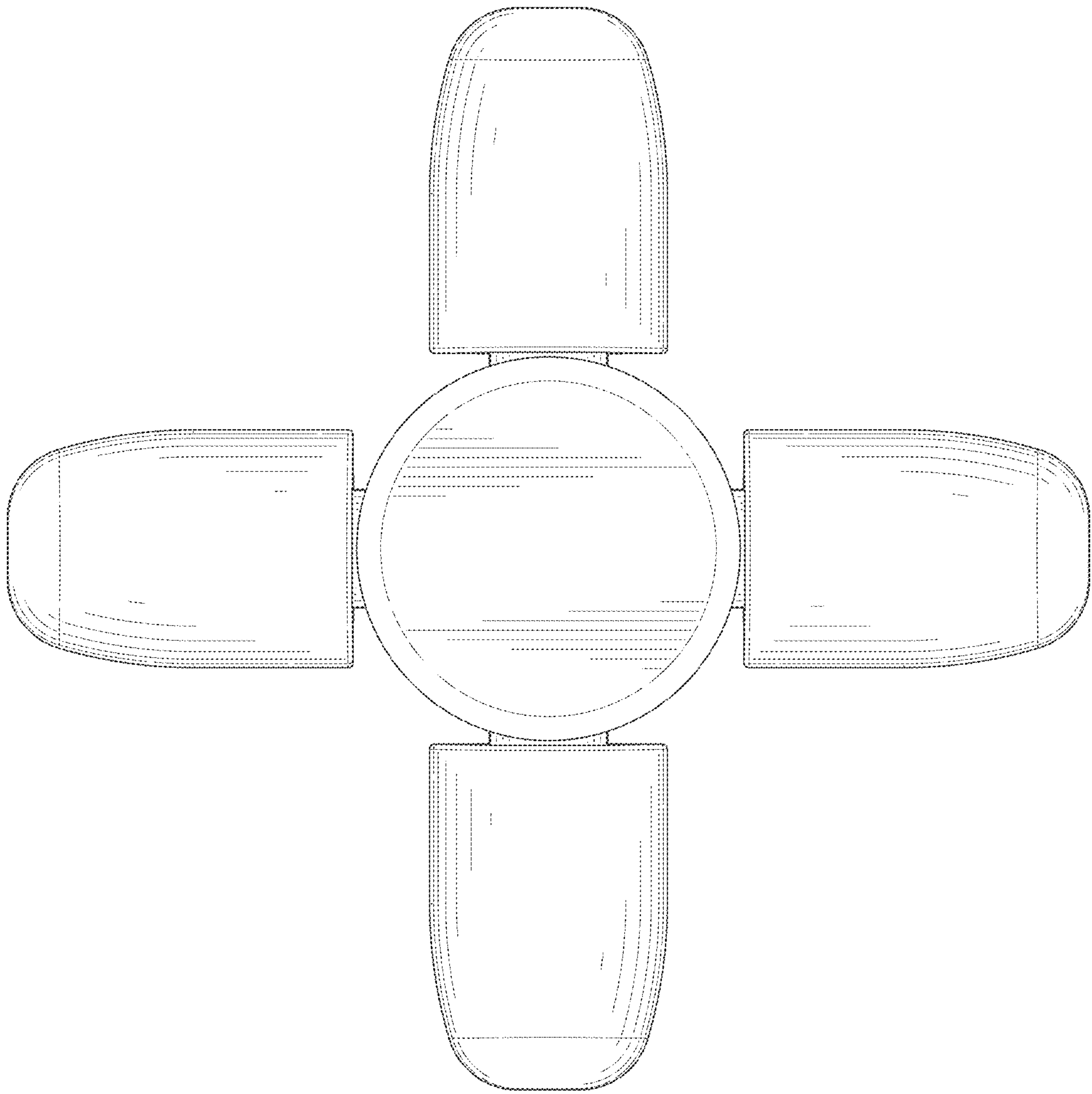


FIG. 8

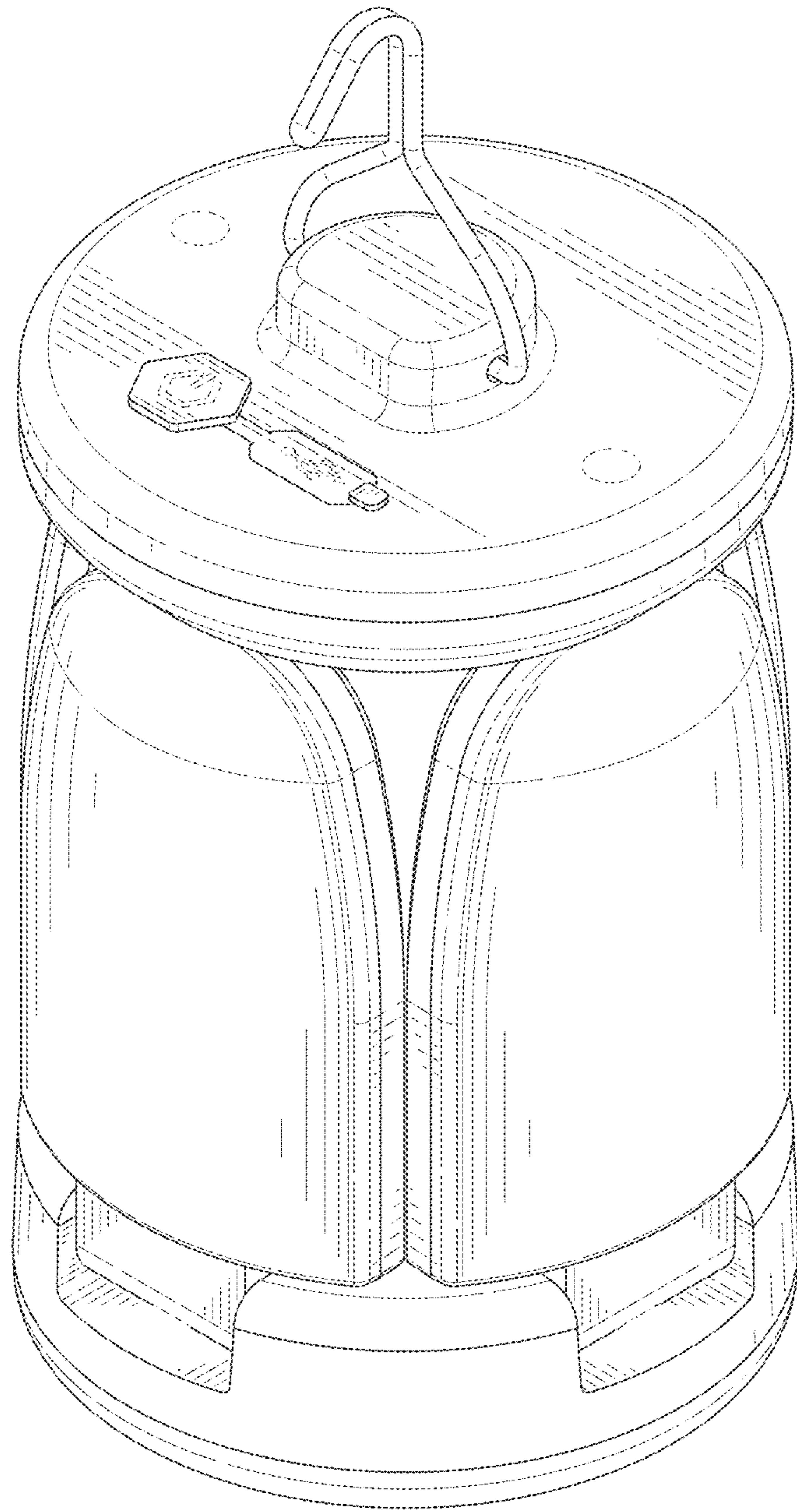


FIG. 9