



US00D981614S

(12) **United States Design Patent**  
**Wang**

(10) **Patent No.:** **US D981,614 S**  
(45) **Date of Patent:** **\*\* Mar. 21, 2023**

- (54) **WEARABLE LIGHT**
- (71) Applicant: **Ninghai Sining Electrical Appliance Factory, Zhejiang (CN)**
- (72) Inventor: **Yan Wang, Zhejiang (CN)**
- (73) Assignee: **Ninghai Sining Electrical Appliance Factory, Zhejiang (CN)**
- (\*\*) Term: **15 Years**
- (21) Appl. No.: **29/816,931**
- (22) Filed: **Nov. 26, 2021**
- (51) **LOC (14) Cl.** ..... **26-02**
- (52) **U.S. Cl.**  
USPC ..... **D26/39**
- (58) **Field of Classification Search**  
USPC ..... D26/37-52, 60, 61, 113, 138-140;  
D10/111, 114.9; D29/101.1-101.4  
(Continued)

(56) **References Cited**

**U.S. PATENT DOCUMENTS**

- 2,259,154 A \* 10/1941 Dame ..... F21V 21/0816  
403/82
- 4,651,989 A \* 3/1987 Wilson ..... A41F 9/002  
2/322

(Continued)

**FOREIGN PATENT DOCUMENTS**

- CN 111928130 A \* 11/2020 ..... A01N 37/04
- DE 202011001528 U1 \* 6/2011 ..... F21L 4/00

(Continued)

**OTHER PUBLICATIONS**

“LED Running Light,” Jun. 15, 2018, amazon.com, site visited Sep. 6, 2022, URL: <https://www.amazon.com/Rechargeable-Revolutionary-Illuminated-Multicolored-Lightweight/dp/B07DN6T91D/> (Year: 2018).\*

(Continued)

*Primary Examiner* — Christy Nemeth  
*Assistant Examiner* — Sarah L Smith  
(74) *Attorney, Agent, or Firm* — True Shepherd, LLC;  
Andrew Cheng

(57) **CLAIM**

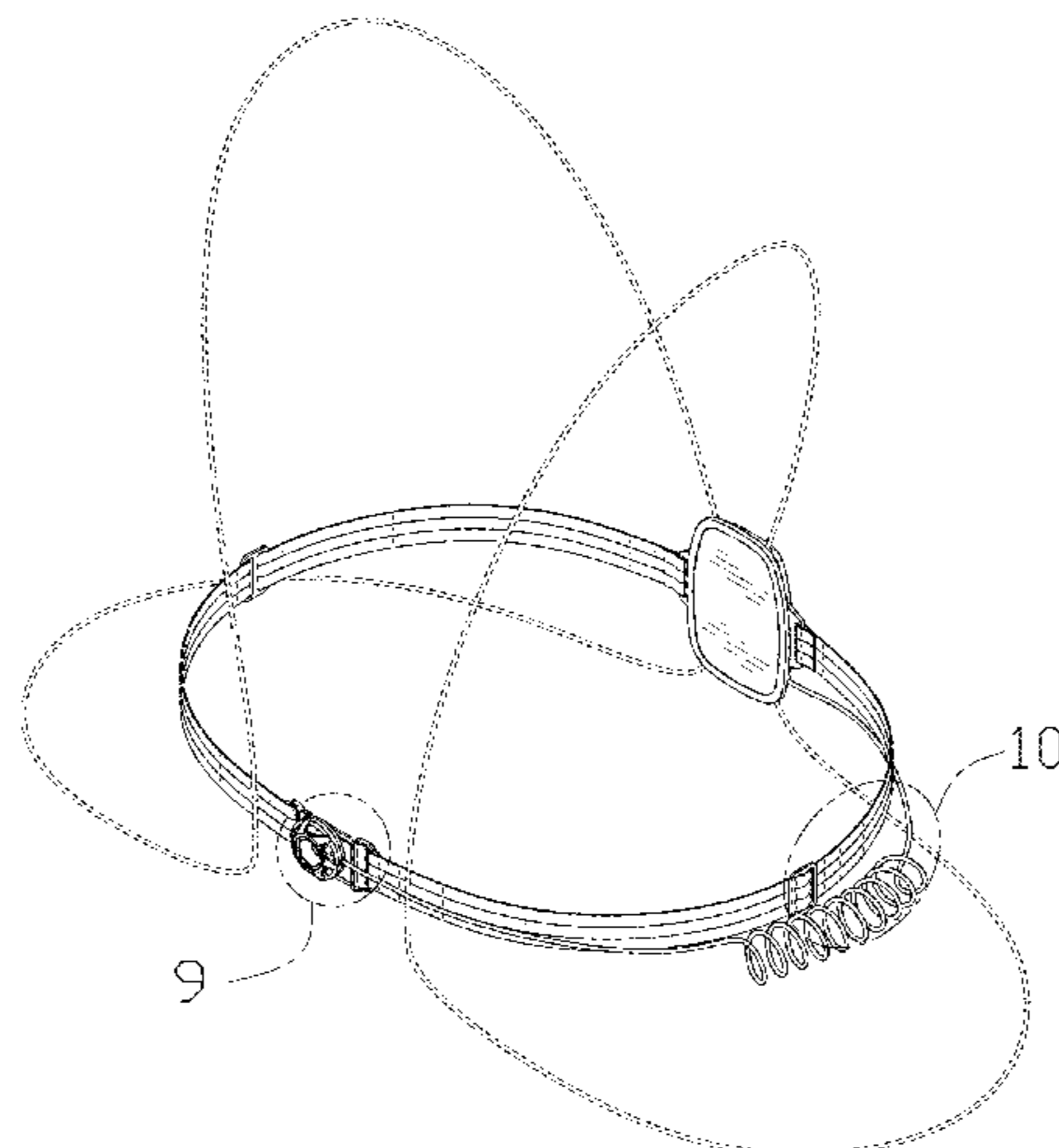
The ornamental design for a wearable light, as shown and described.

**DESCRIPTION**

FIG. 1 is a front, right and top perspective view of a wearable light, showing my design.  
 FIG. 2 is a rear, left and bottom perspective view thereof.  
 FIG. 3 is a front elevation view thereof.  
 FIG. 4 is a rear elevation view thereof.  
 FIG. 5 is a left side elevation view thereof.  
 FIG. 6 is a right side elevation view thereof.  
 FIG. 7 is a top plan view thereof.  
 FIG. 8 is a bottom plan view thereof.  
 FIG. 9 is a partial enlarged view of an area labeled 9 in FIG. 1 comprising a front side of a buckle.  
 FIG. 10 is a partial enlarged view of an area labeled 10 in FIG. 1 comprising a part of a belt.  
 FIG. 11 is a partial enlarged view of an area labeled 11 in FIG. 2 comprising a fastener.  
 FIG. 12 is a partial enlarged view of an area labeled 12 in FIG. 2 comprising a rear side of a buckle.  
 FIG. 13 is a partial enlarged view of an area labeled 13 in FIG. 3.  
 FIG. 14 is a partial enlarged view of an area labeled 14 in FIG. 4.  
 FIG. 15 is a partial enlarged view of an area labeled 15 in FIG. 5.  
 FIG. 16 is a partial enlarged view of an area labeled 16 in FIG. 6.  
 FIG. 17 is a partial enlarged view of an area labeled 17 in FIG. 7; and,  
 FIG. 18 is a partial enlarged view of an area labeled 18 in FIG. 8.

The dash-dash broken lines in the drawings are for the purpose of illustrating portions of the article that form no part of the claimed design. The dot-dash broken lines in the

(Continued)





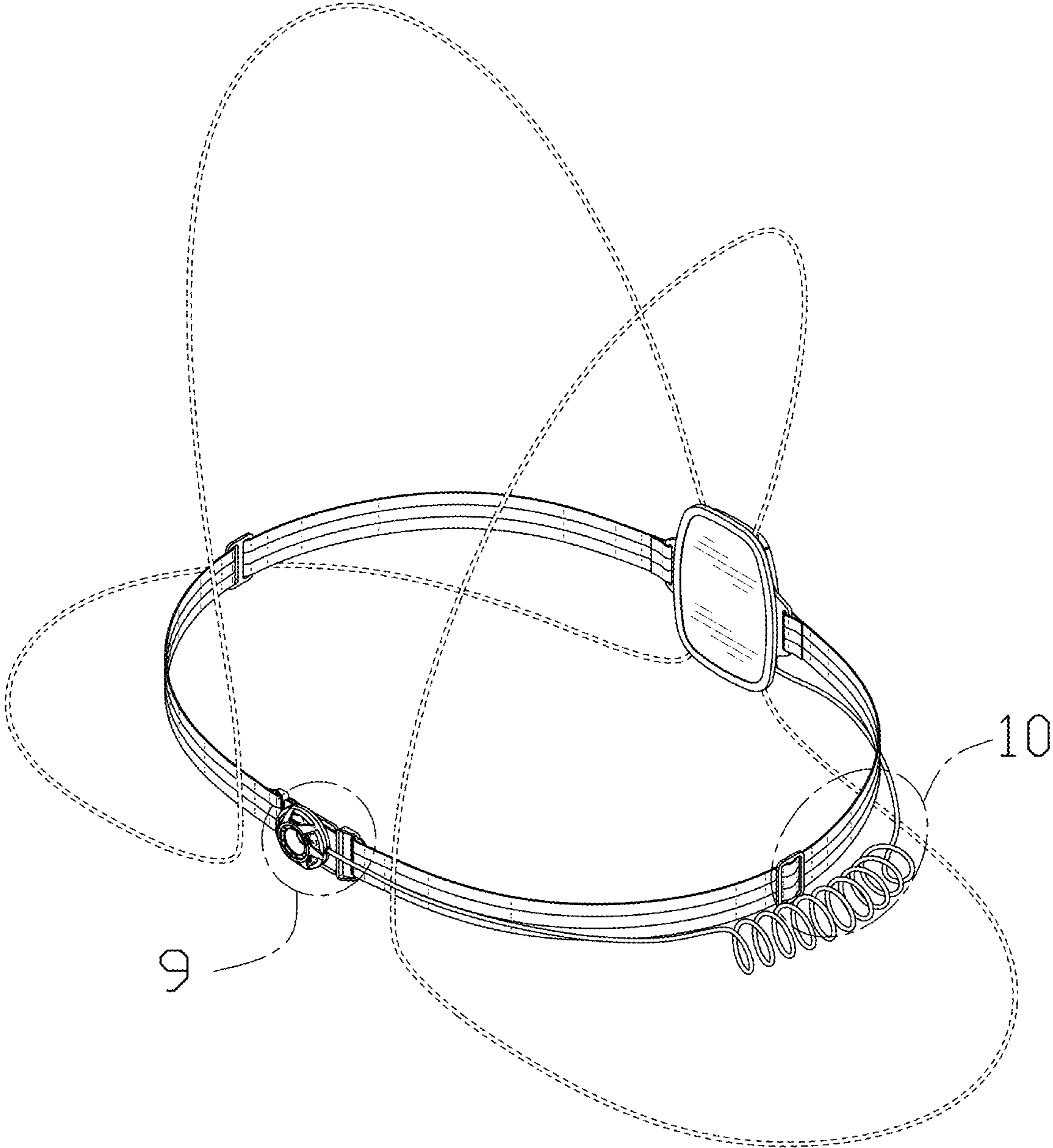


FIG. 1

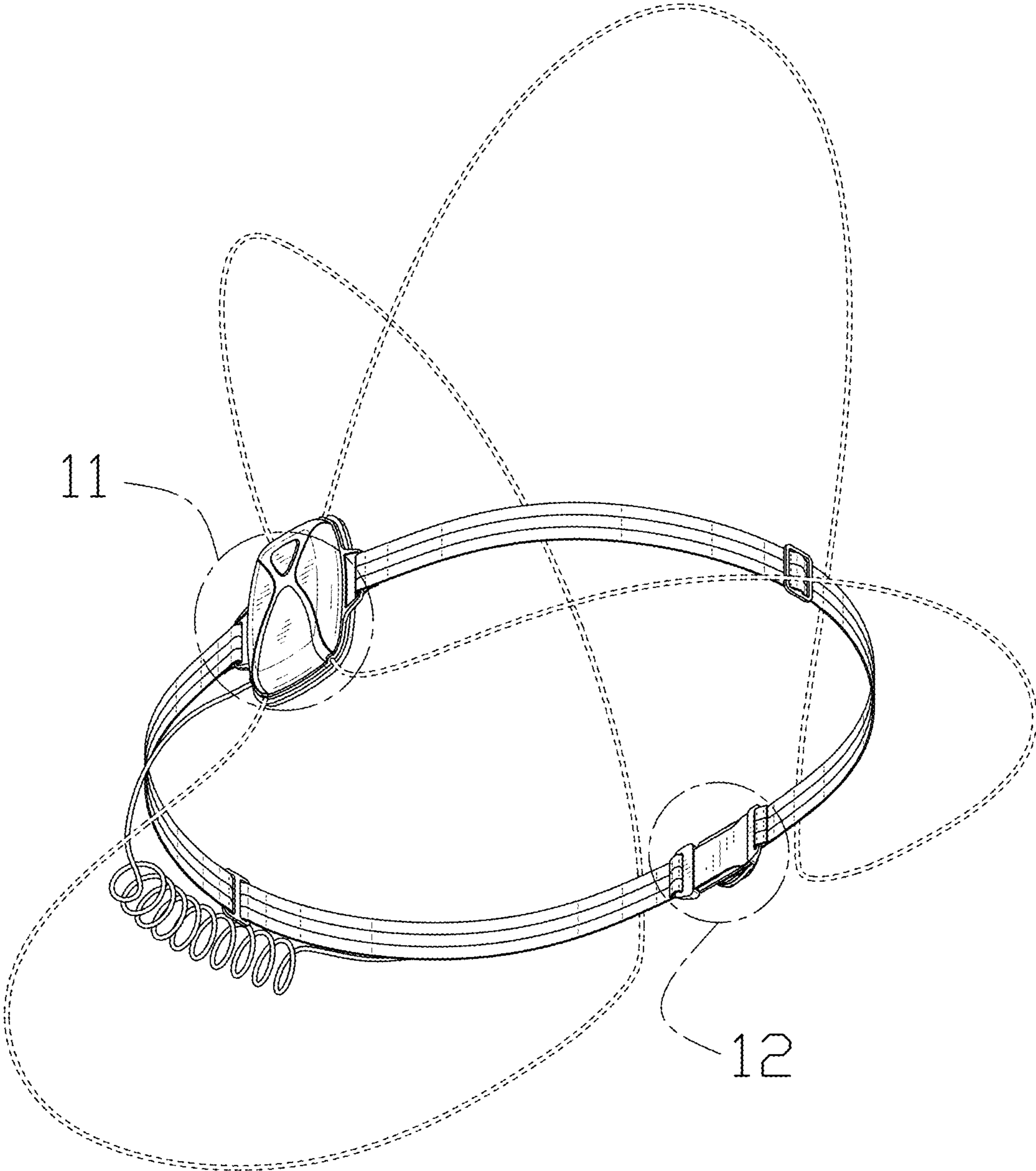


FIG. 2

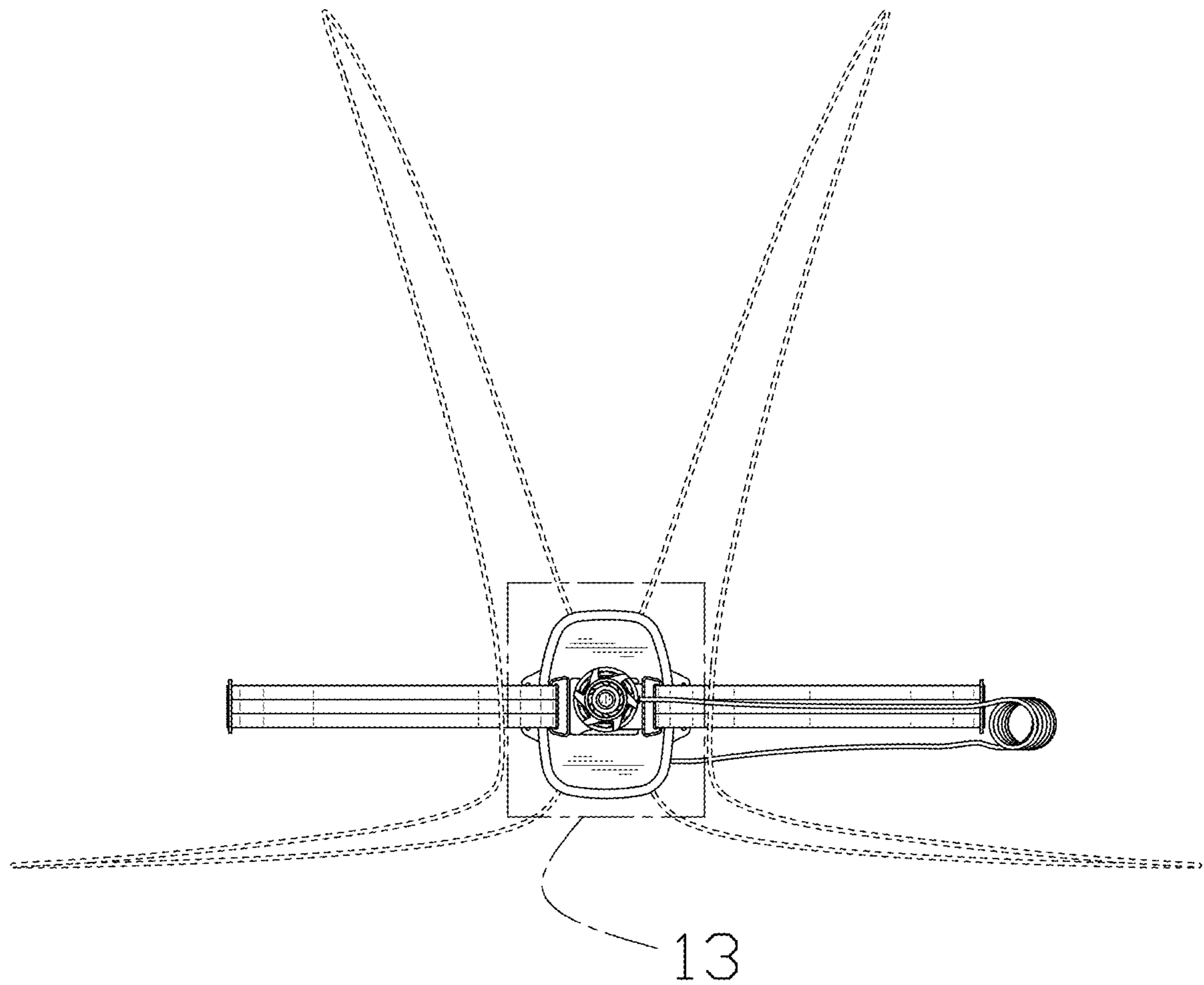


FIG. 3

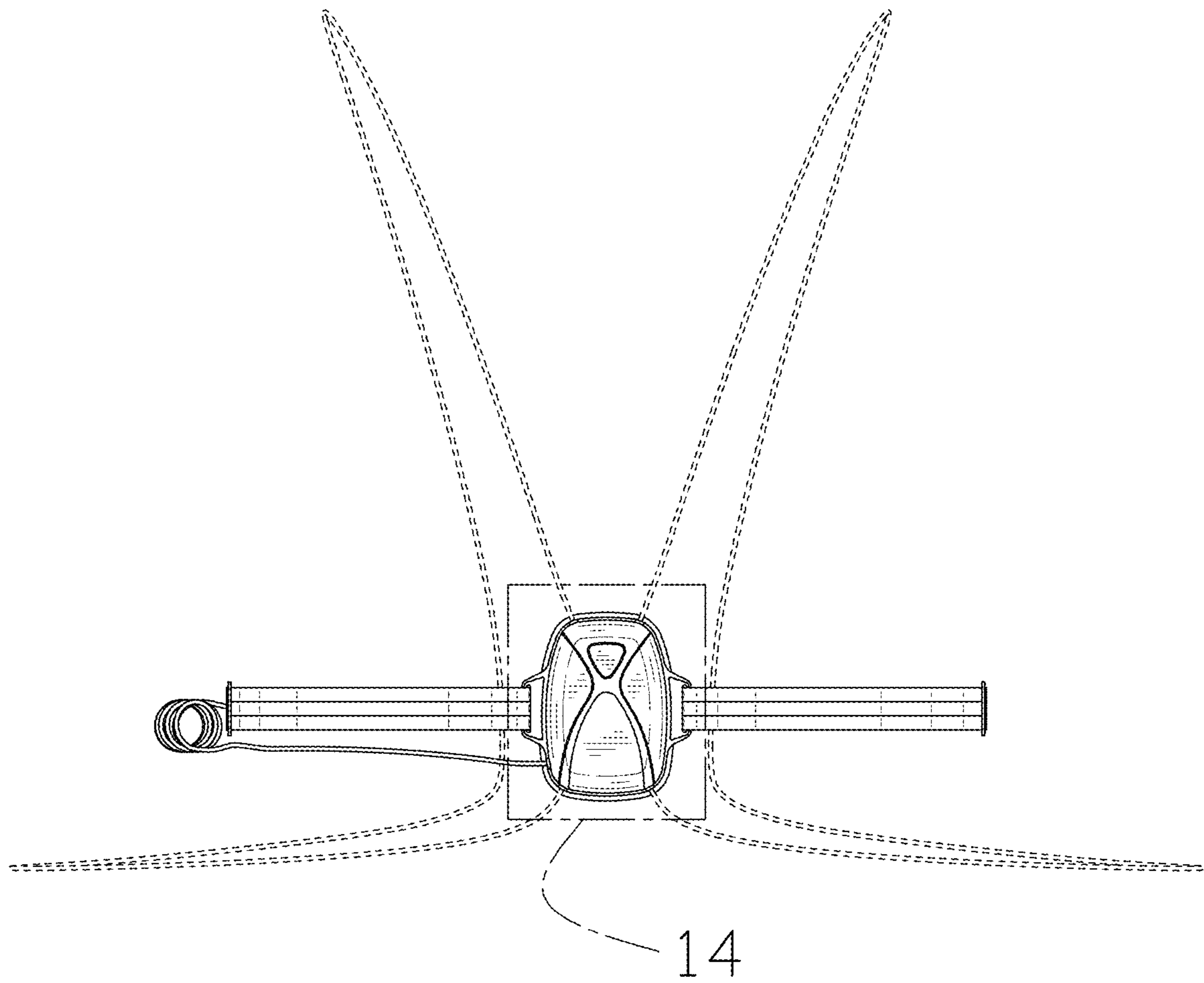


FIG. 4

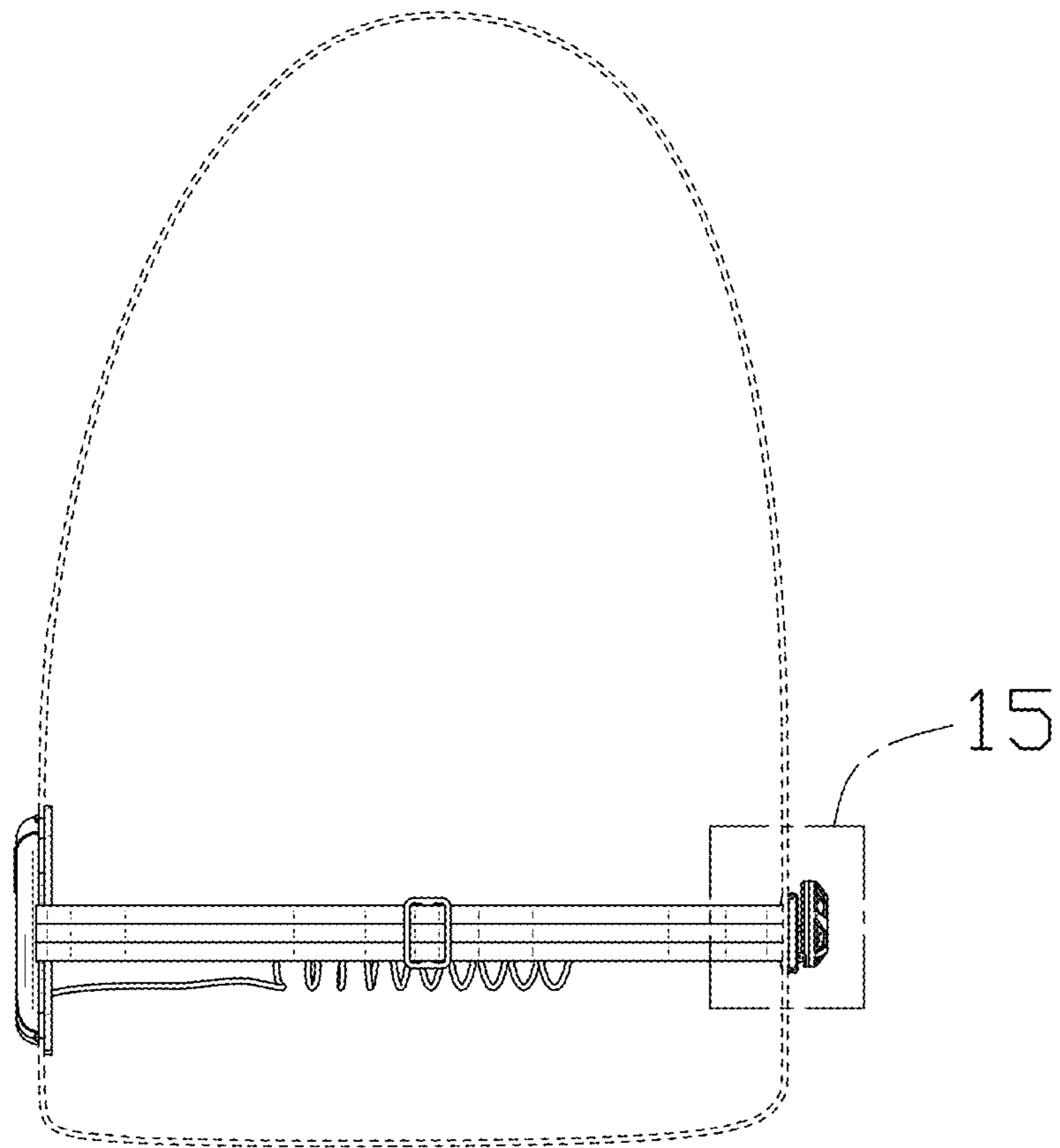


FIG. 5

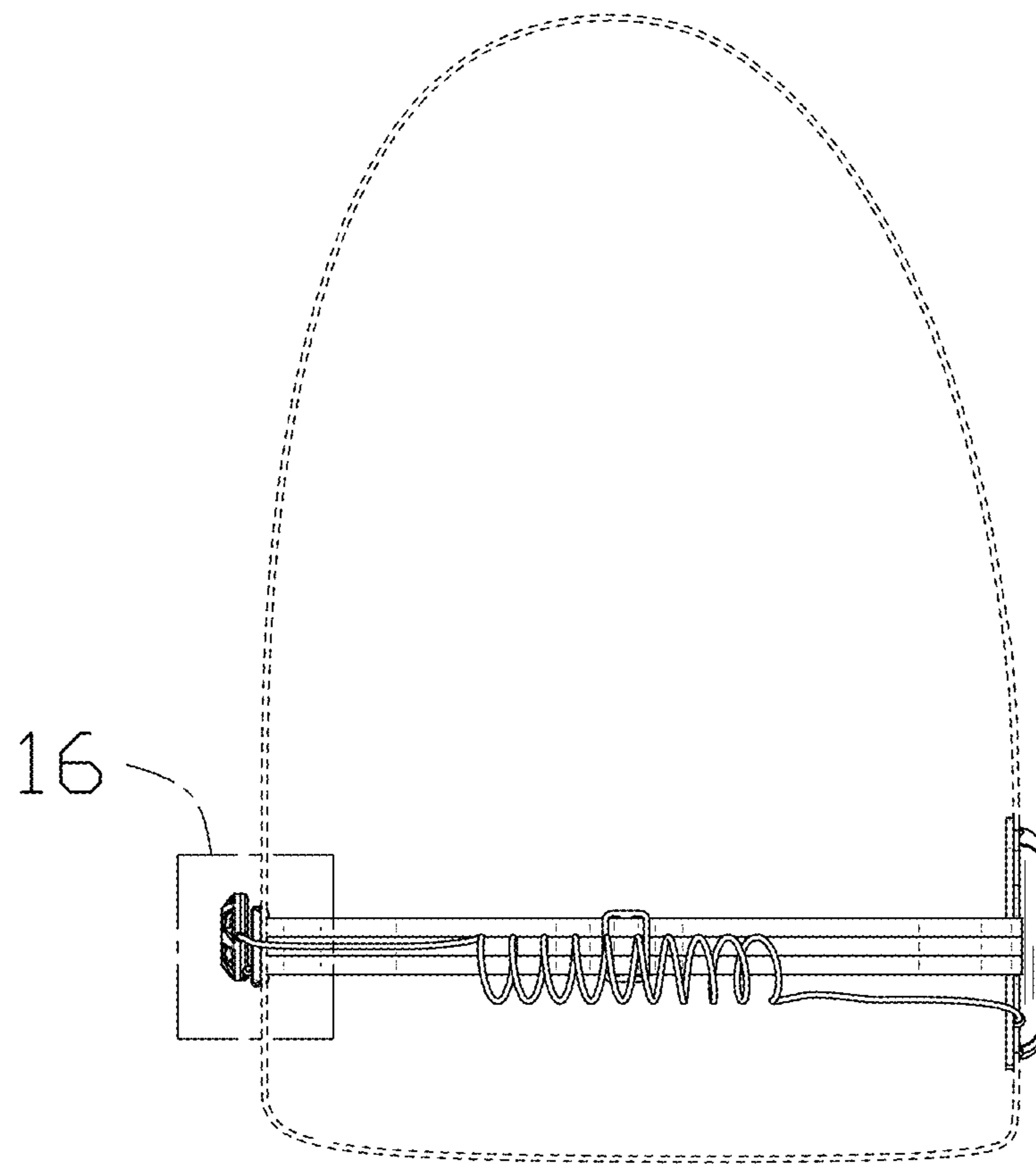


FIG. 6



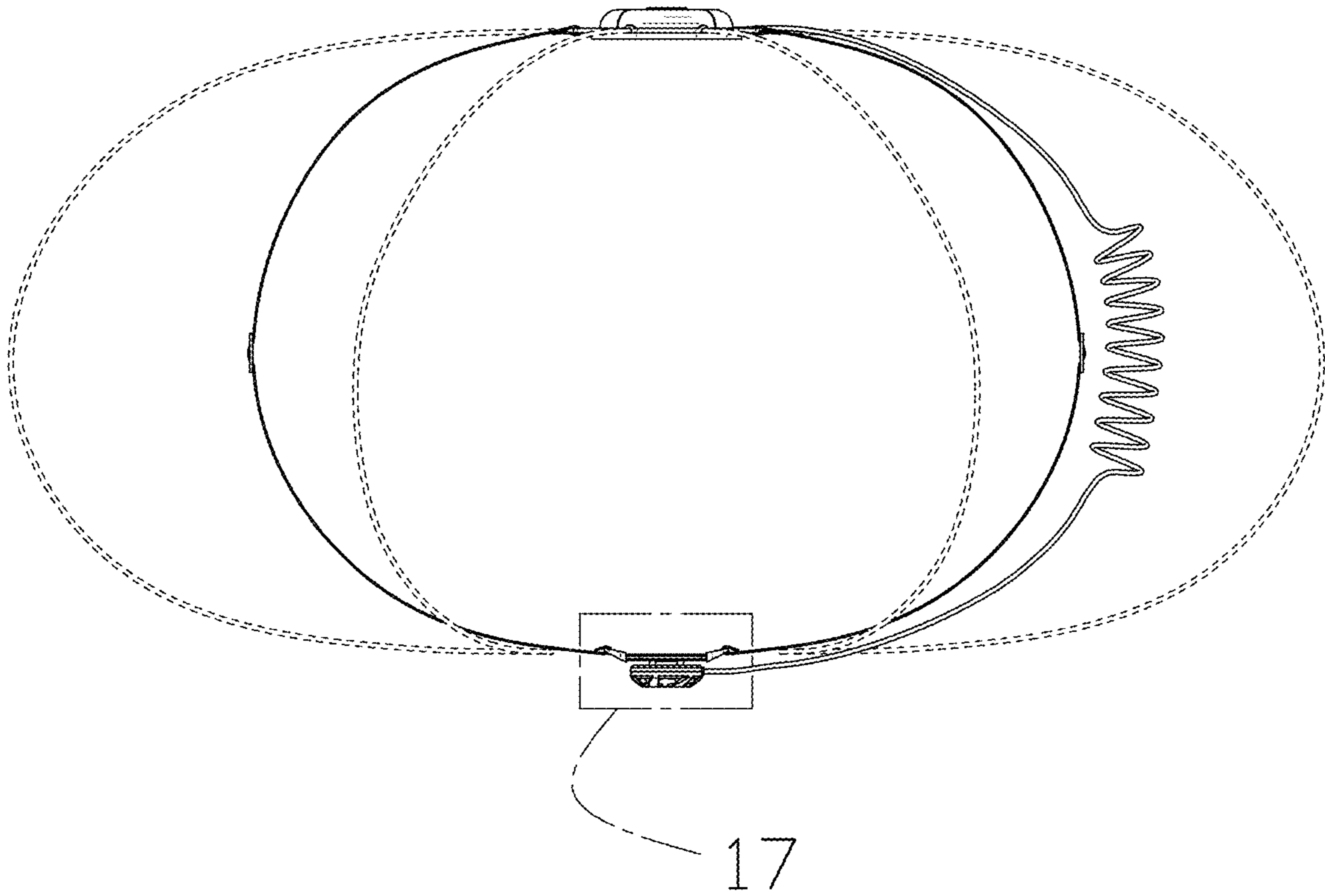


FIG. 7

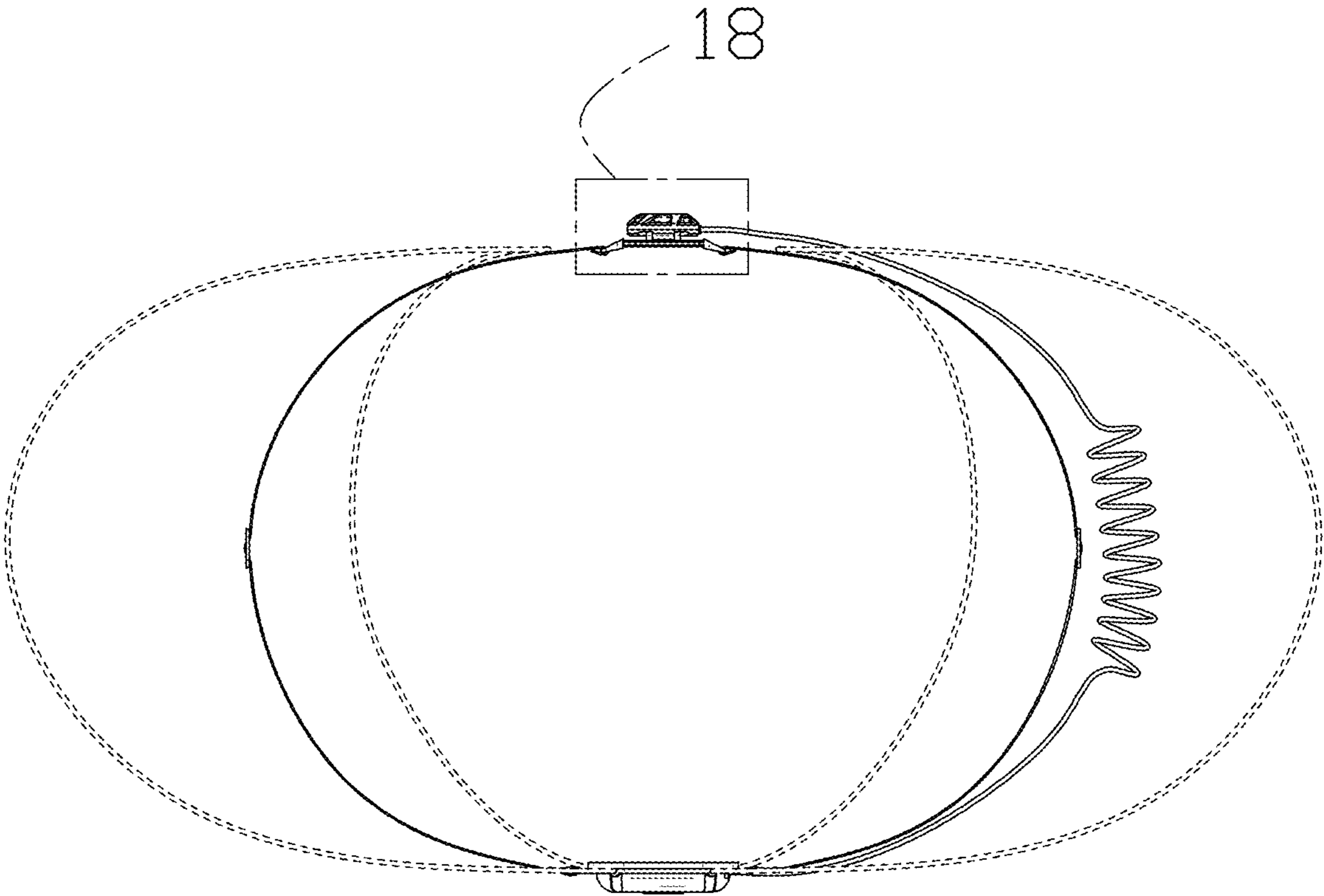


FIG. 8

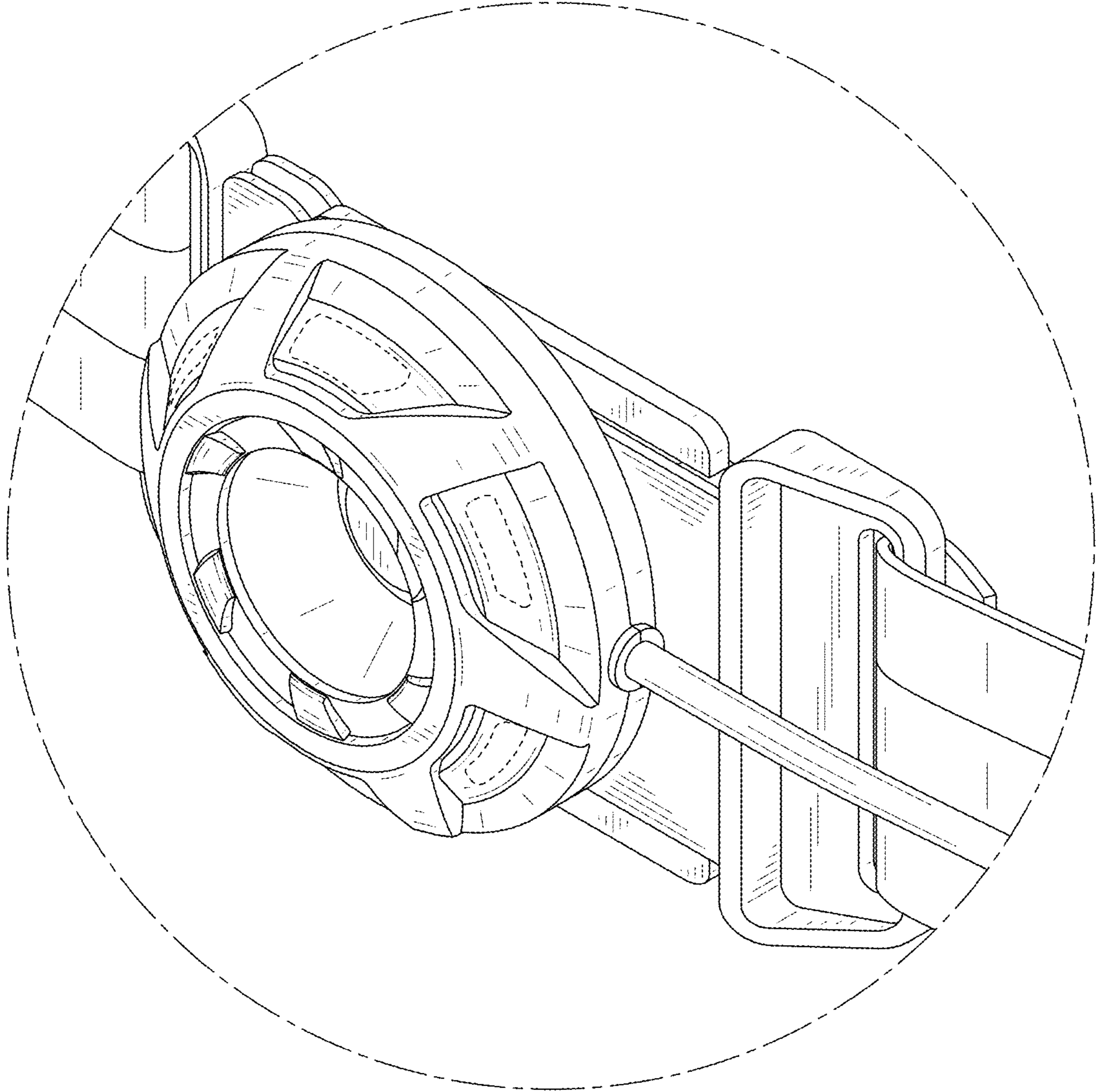


FIG. 9

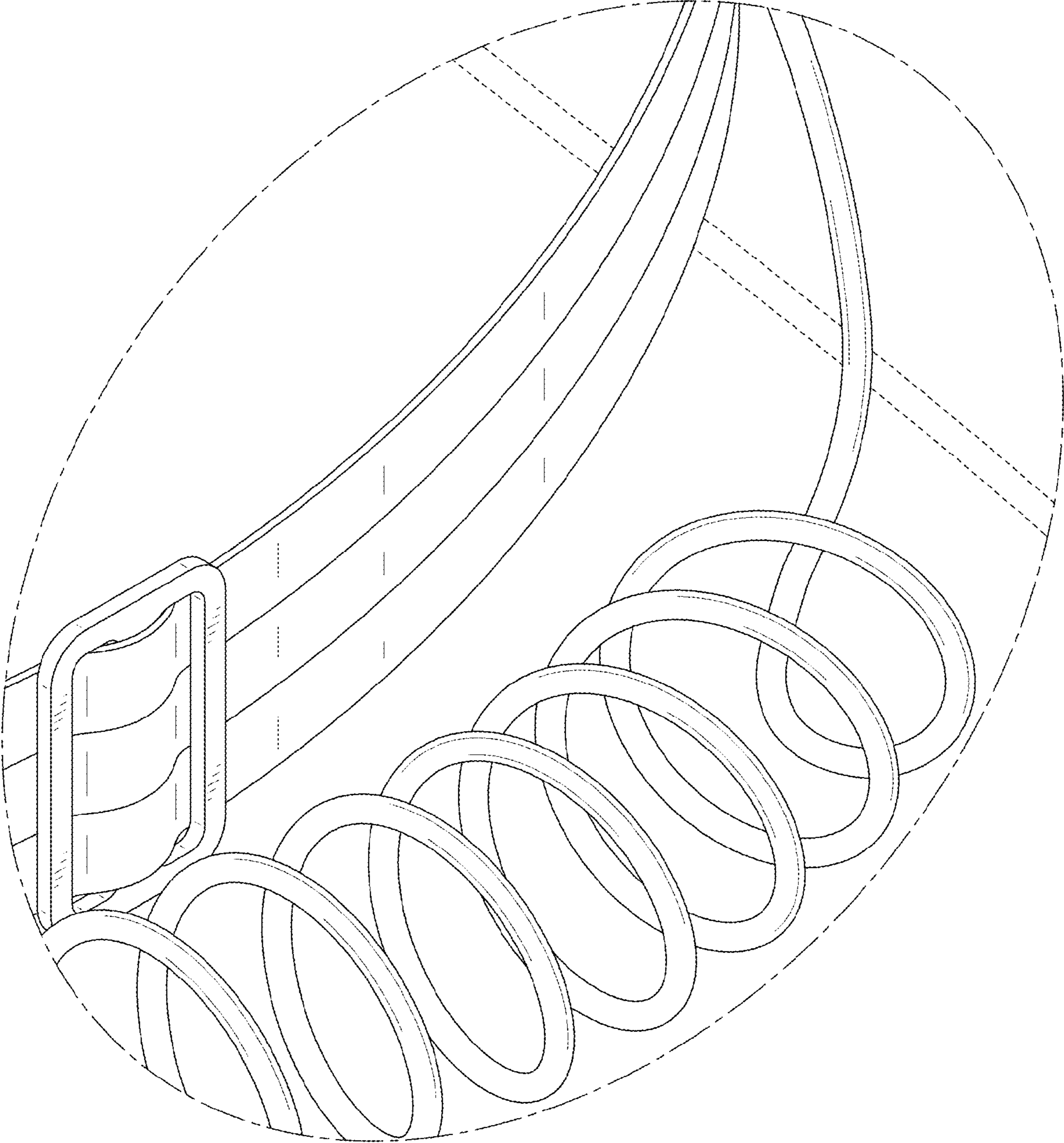


FIG. 10

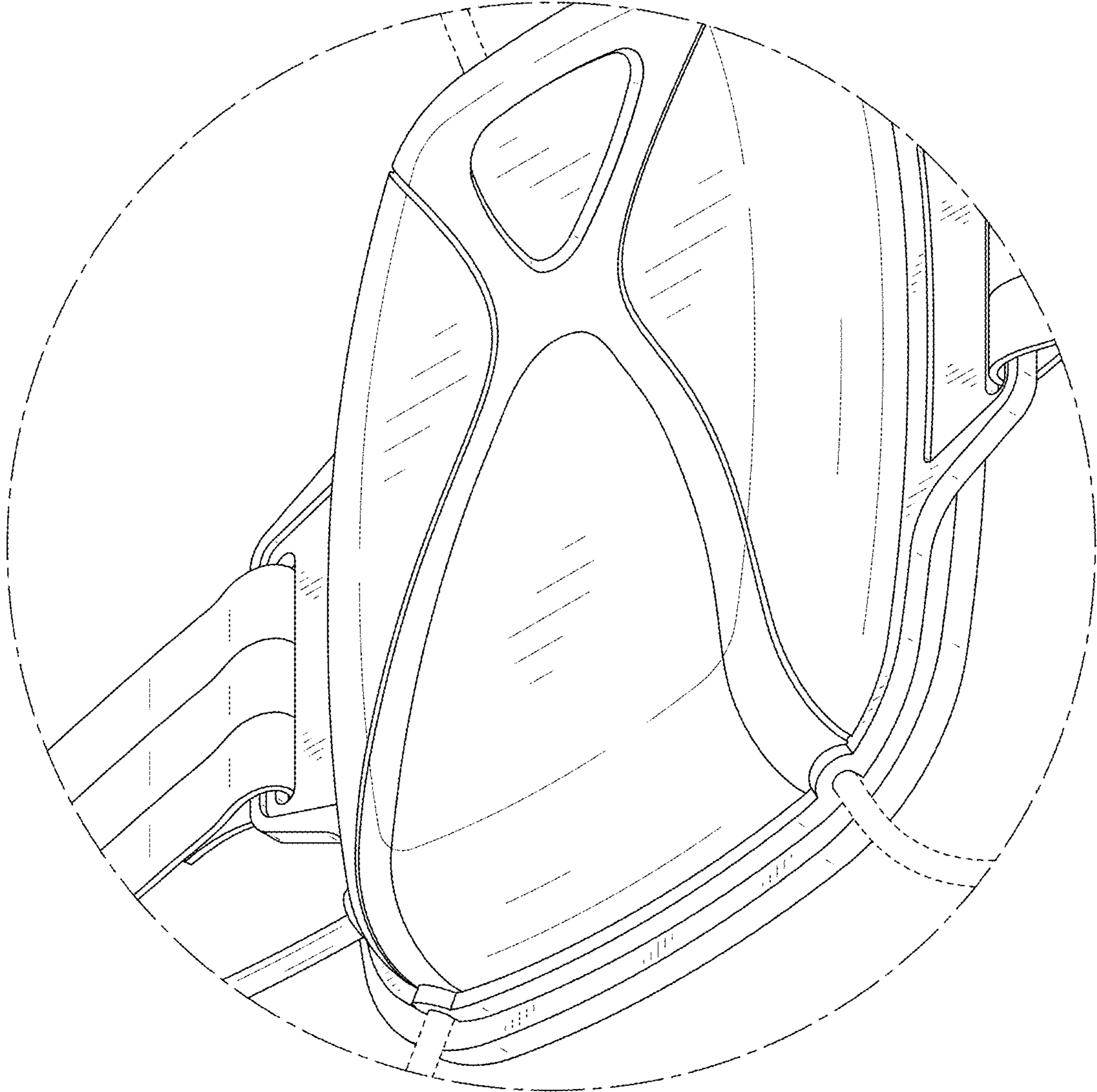


FIG. 11

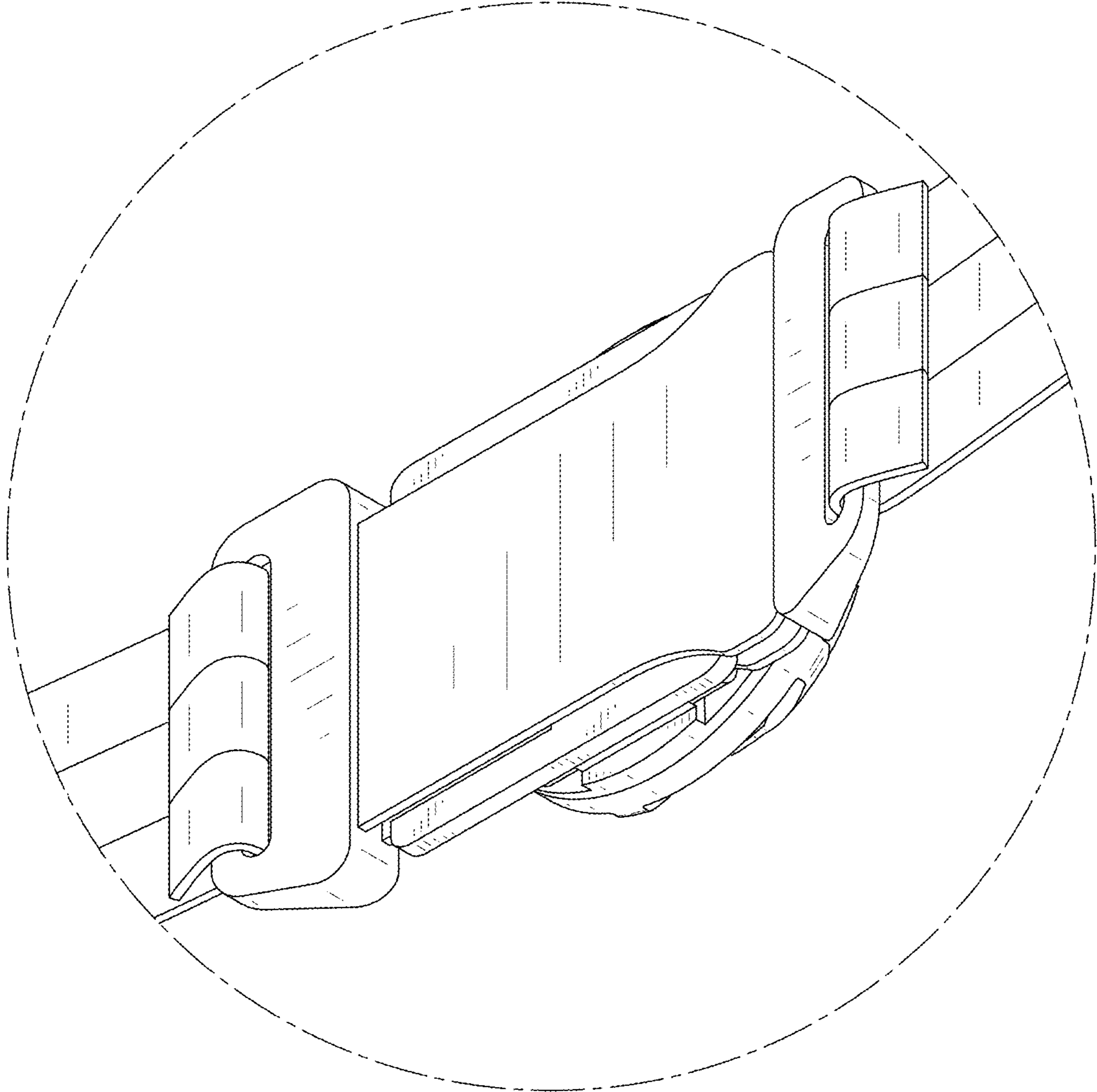


FIG. 12

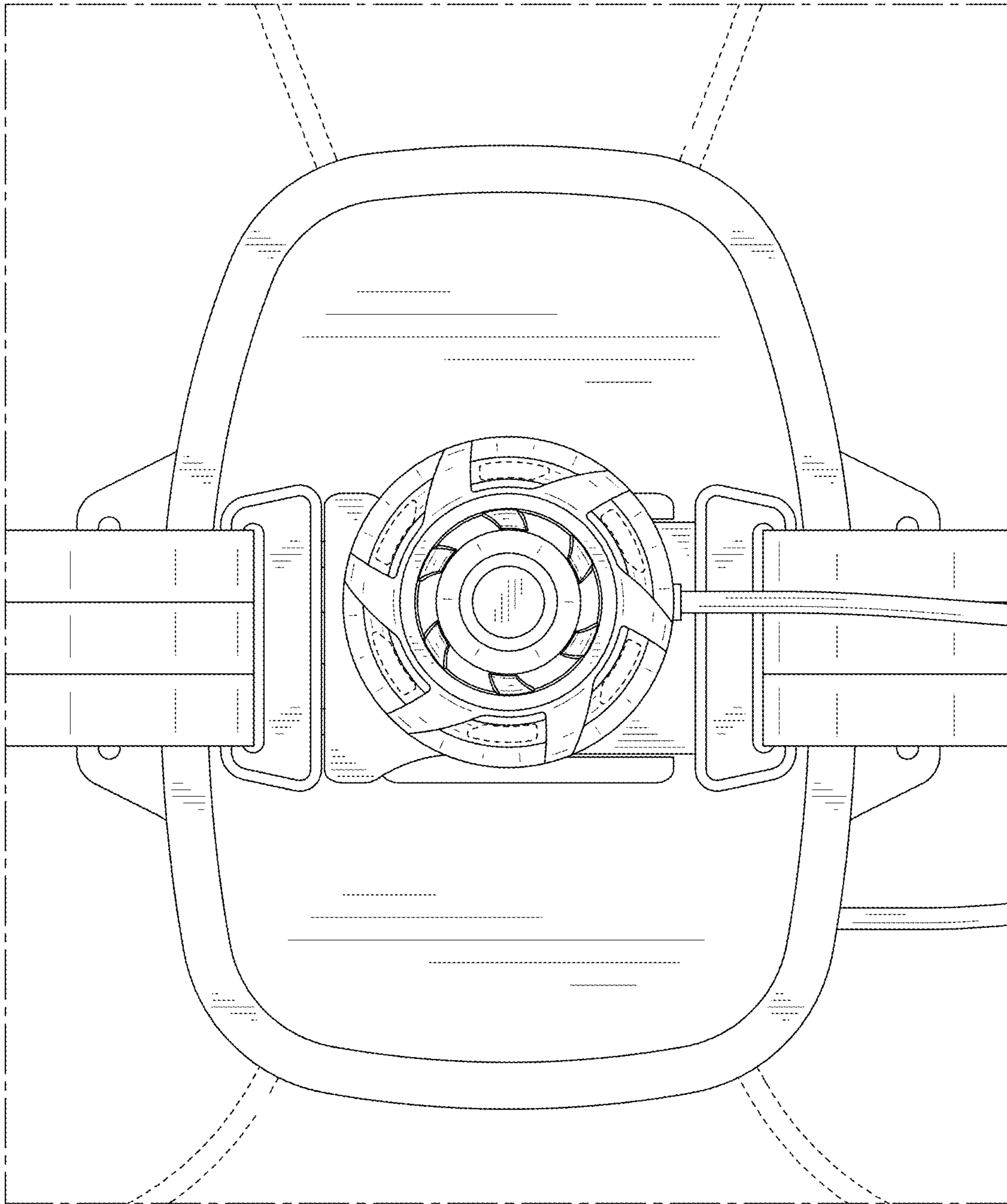


FIG. 13

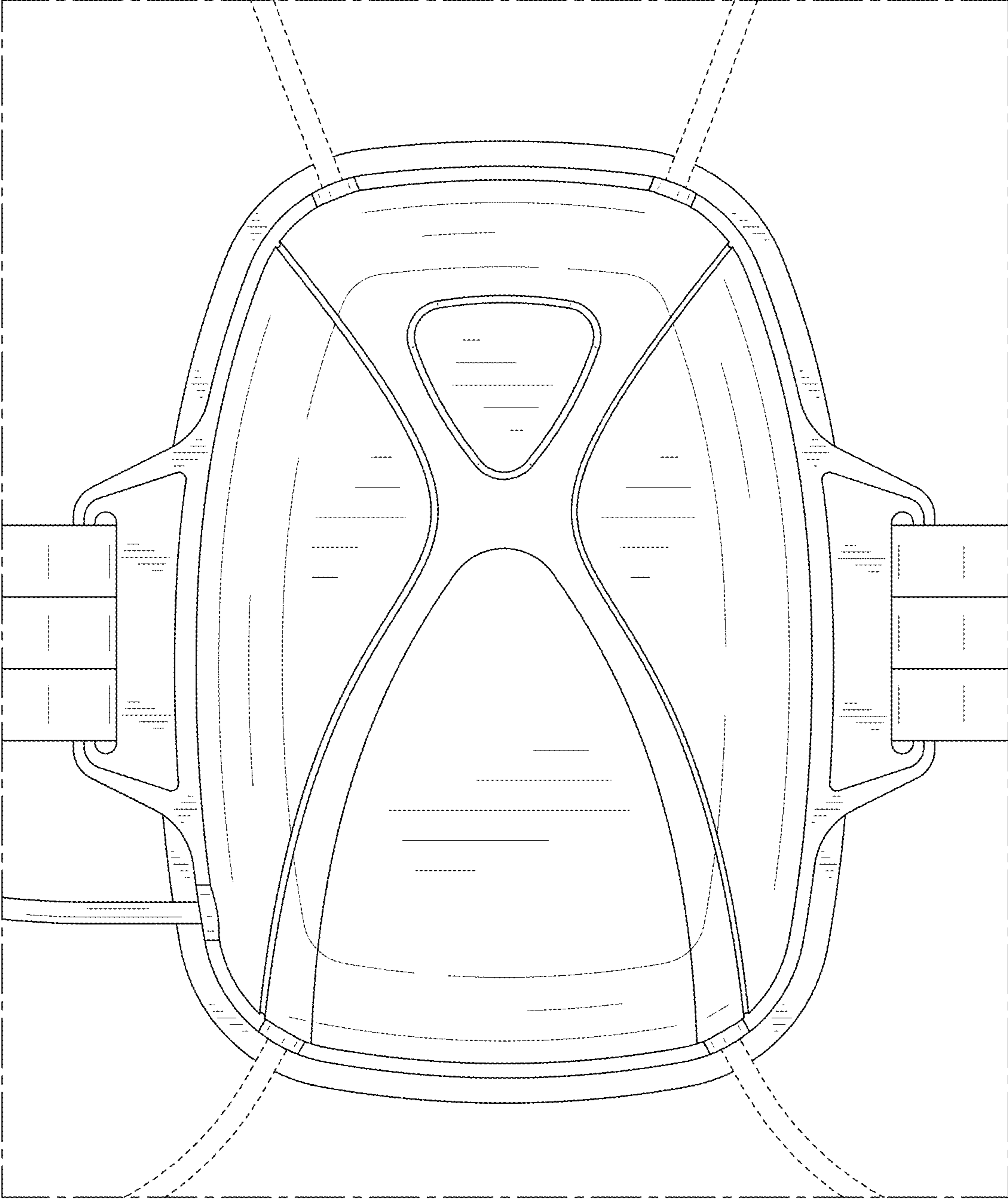


FIG. 14



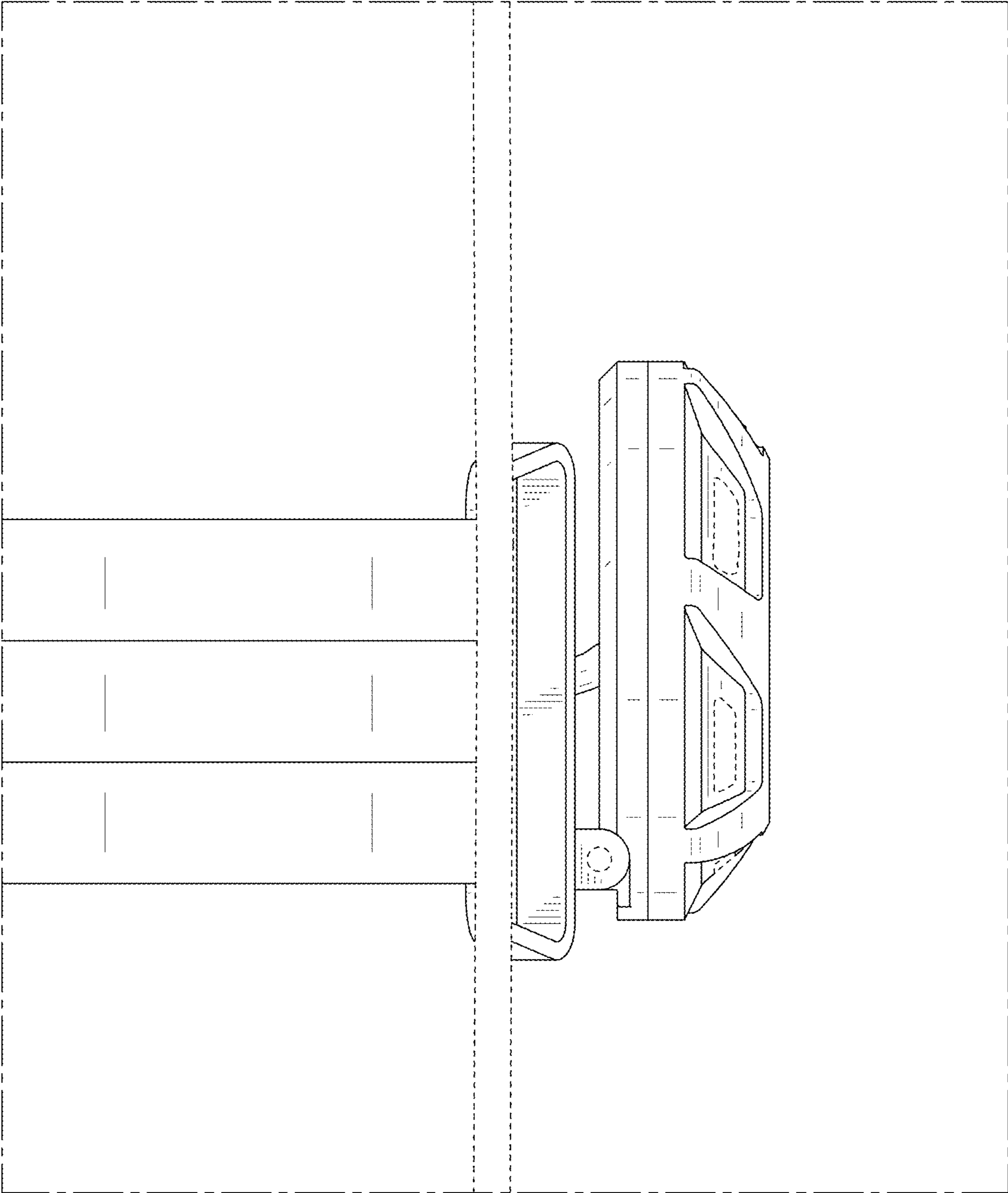


FIG. 15

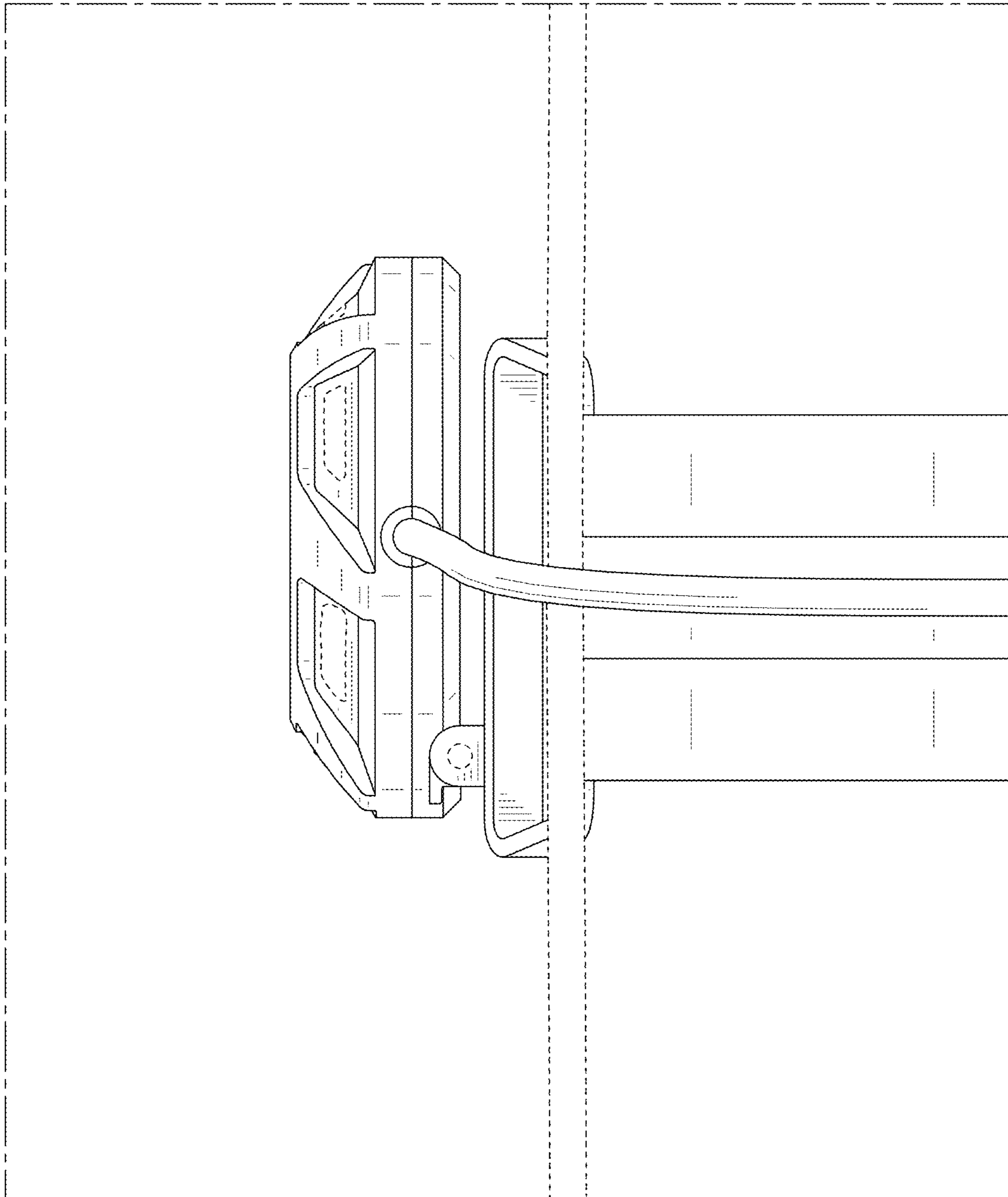


FIG. 16

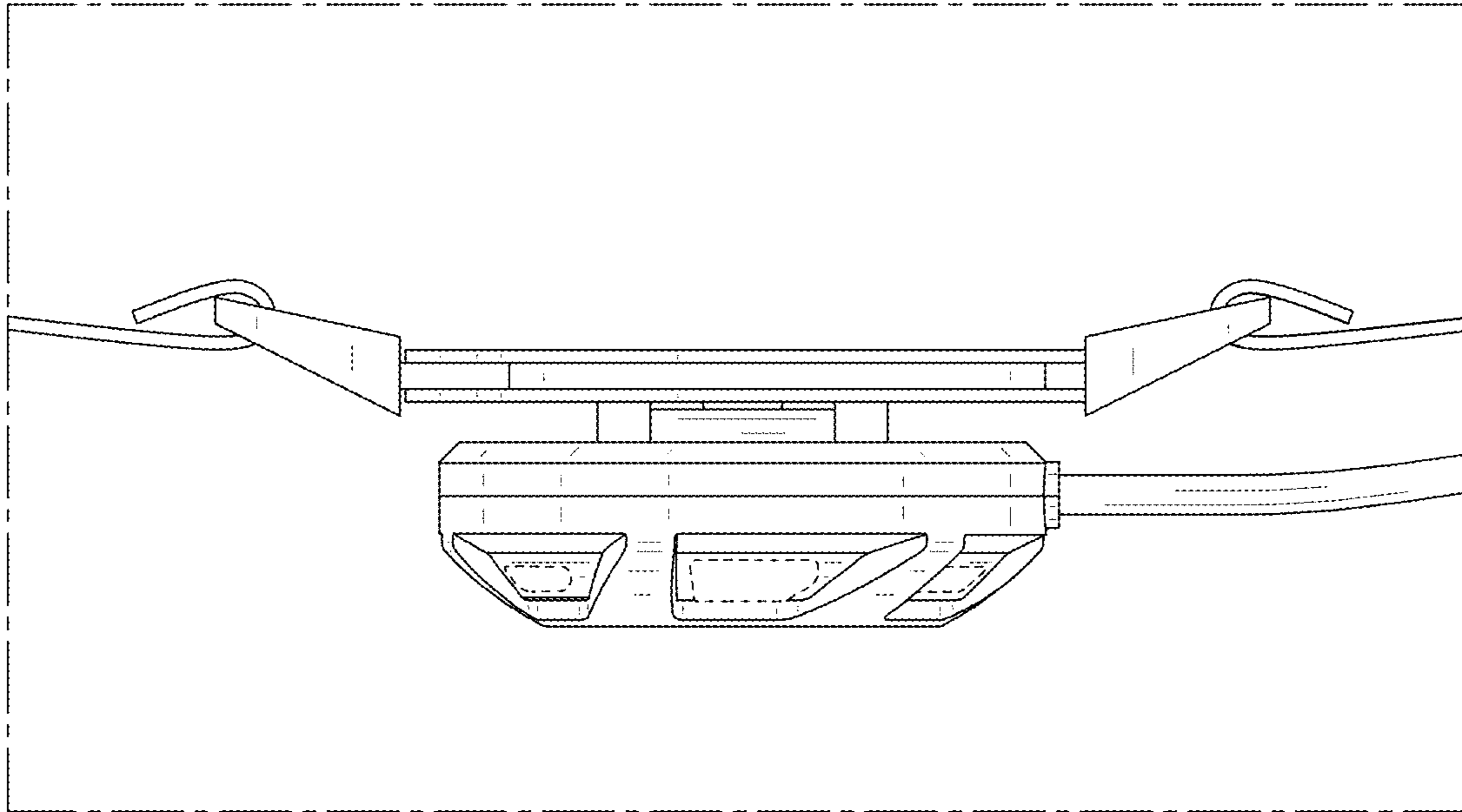


FIG. 17

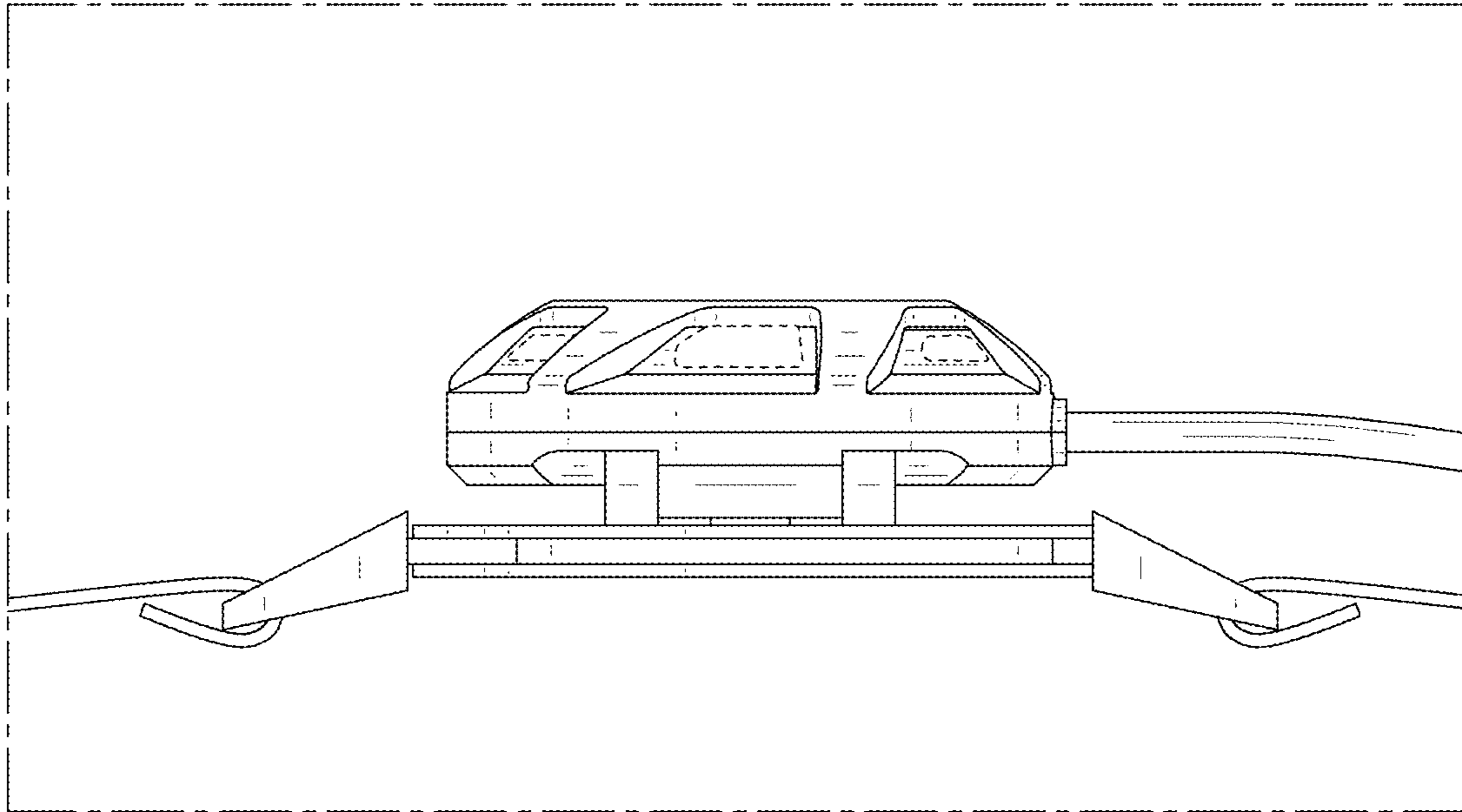


FIG. 18