



US00D981611S

(12) **United States Design Patent** (10) **Patent No.:** **US D981,611 S**  
**Hong et al.** (45) **Date of Patent:** **\*\* Mar. 21, 2023**

(54) **REAR COMBINATION LAMP FOR AUTOMOBILE**

(56) **References Cited**

U.S. PATENT DOCUMENTS

(71) Applicants: **HYUNDAI MOTOR COMPANY**,  
Seoul (KR); **Kia Corporation**, Seoul  
(KR)

D751,736 S *	3/2016	Gunnarson .....	D26/28
D770,654 S *	11/2016	Ingenlath .....	D26/28
D806,284 S *	12/2017	Yamaguchi .....	D26/28
D826,435 S *	8/2018	Kim .....	D26/28
D846,772 S *	4/2019	Pinazzo .....	D26/28
D846,774 S *	4/2019	Keskin .....	D26/28
D861,931 S *	10/2019	Carter .....	D26/28
D862,750 S *	10/2019	Sakai .....	D26/28
D871,631 S *	12/2019	Lai .....	D26/28
D877,369 S *	3/2020	Thurber .....	D26/28
D895,864 S *	9/2020	Jeong .....	D26/28
D950,786 S *	5/2022	Datta .....	D26/28

(72) Inventors: **Seung Pyo Hong**, Incheon (KR); **Hwan Wook Baek**, Chungcheongbuk-do (KR);  
**Jung Bin Kim**, Bucheon-si (KR)

(\*\*) Term: **15 Years**

\* cited by examiner

(21) Appl. No.: **35/514,292**

*Primary Examiner* — Angela J Lee

(22) Filed: **Jan. 3, 2022**

(80) **Hague Agreement Data**

(57) **CLAIM**

Int. Filing Date: **Jan. 3, 2022**

The ornamental design for a rear combination lamp for automobile, as shown and described.

Int. Reg. No.: **DM/220644**

**DESCRIPTION**

Int. Reg. Date: **Jan. 3, 2022**

Int. Reg. Pub. Date: **May 20, 2022**

(51) **LOC (14) Cl.** ..... **26-06**

1. Rear combination lamp for automobile

(52) **U.S. Cl.**

1.1 : Perspective

USPC ..... **D26/28**

1.2 : Front

(58) **Field of Classification Search**

USPC ..... D26/28, 29, 30, 31, 32, 33, 34, 35, 36,  
D26/139

1.3 : Back

CPC ..... F21S 41/00; F21S 41/141; F21S 41/162;

1.4 : Left

F21S 41/18; F21S 41/20; F21S 41/33;

1.5 : Right

F21S 41/36; F21S 41/60; F21S 43/00;

1.6 : Top

F21W 2103/35; F21W 2103/40; F21W

1.7 : Bottom

2102/17; F21W 2102/30; F21W 2103/00;

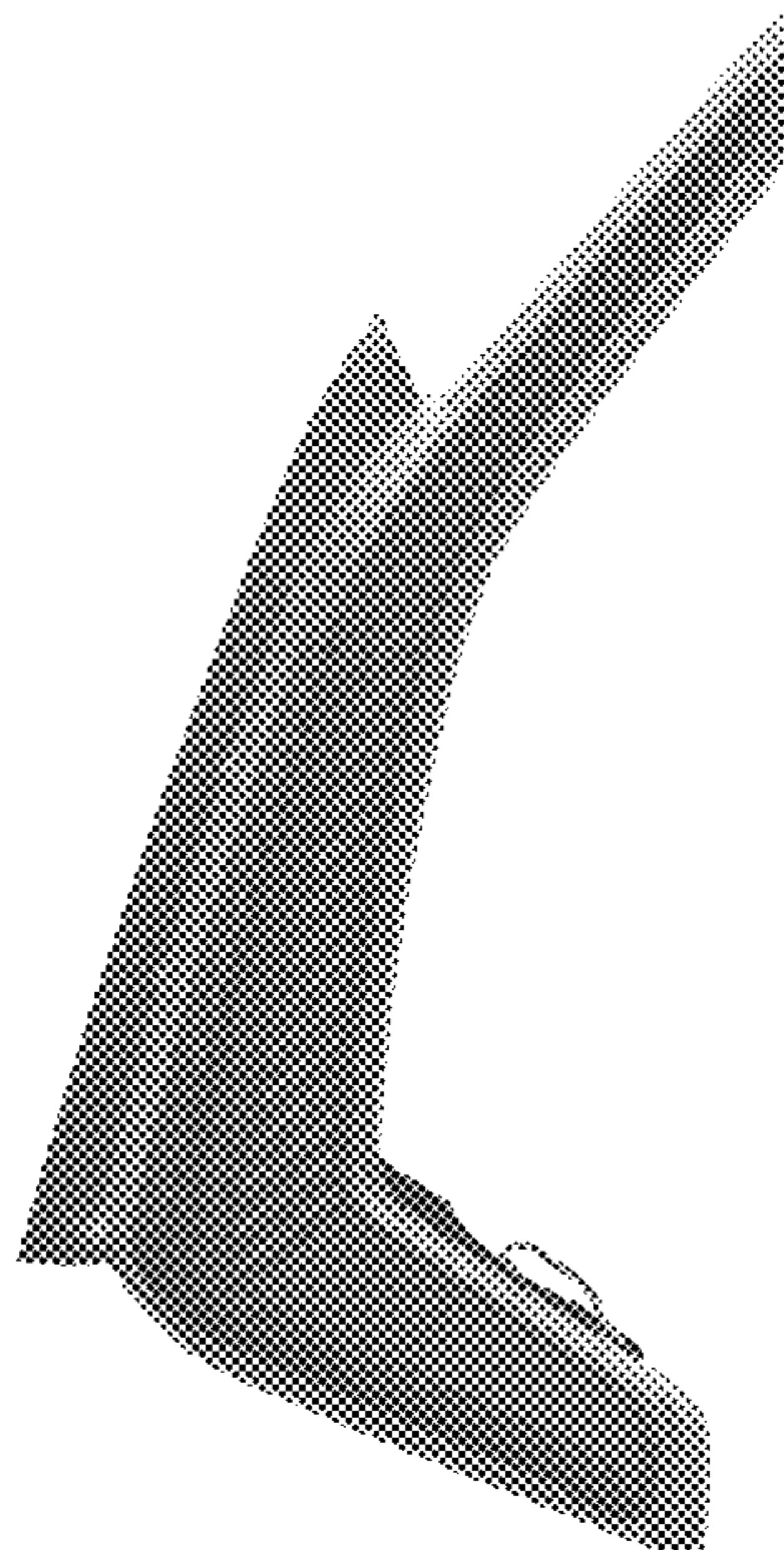
Reproduction 1.1 is a perspective view of a rear combination lamp for automobile showing our new design; reproduction 1.2 is a front elevation view thereof; reproduction 1.3 is a rear elevation view thereof; reproduction 1.4 is a left side elevation view thereof; reproduction 1.5 is a right side elevation view thereof; reproduction 1.6 is a top plan view thereof; reproduction 1.7 is a bottom plan view thereof.

F21W 2103/55; F21W 2104/00; F21W

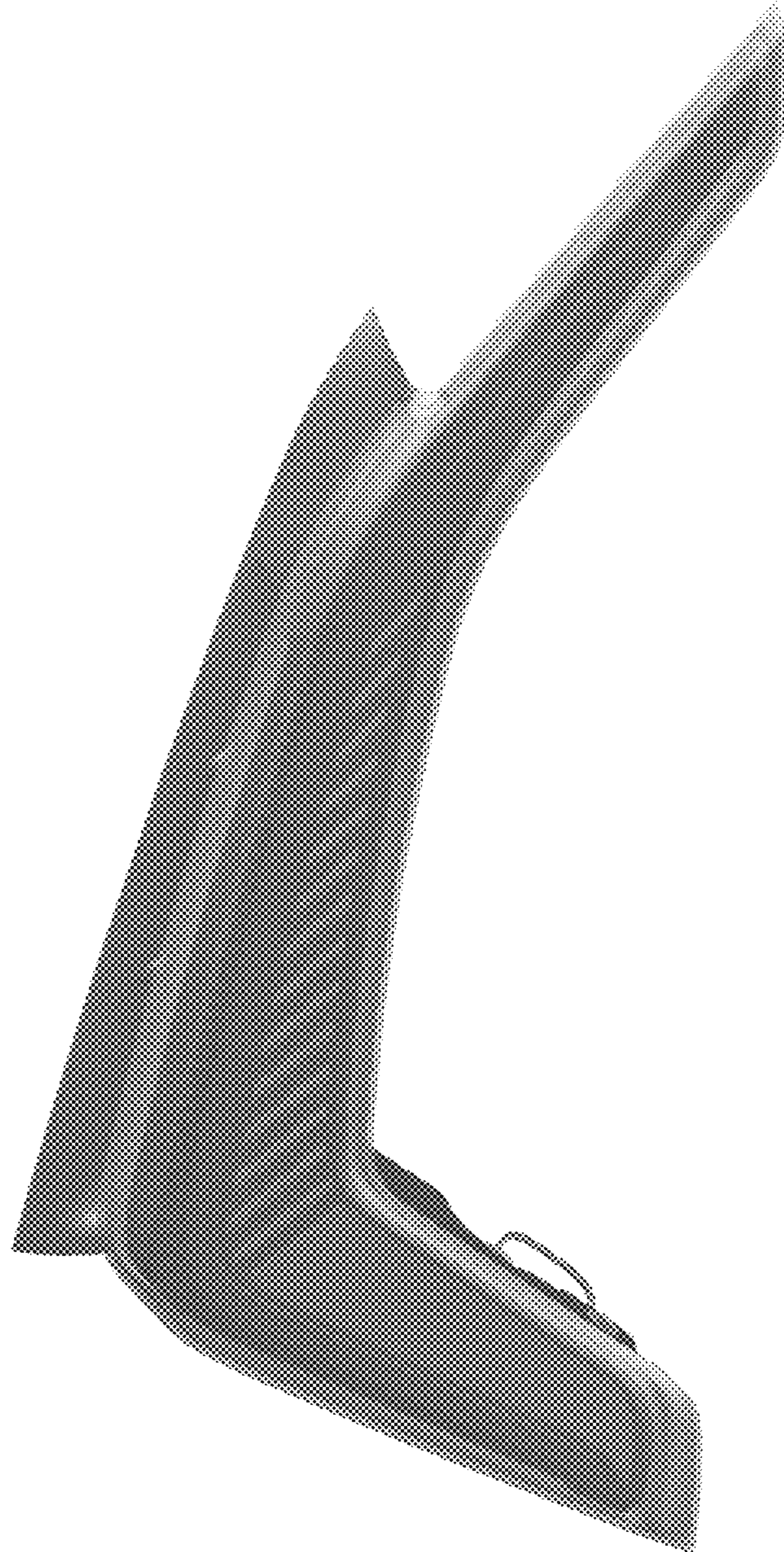
2107/17; F21W 2107/13

See application file for complete search history.

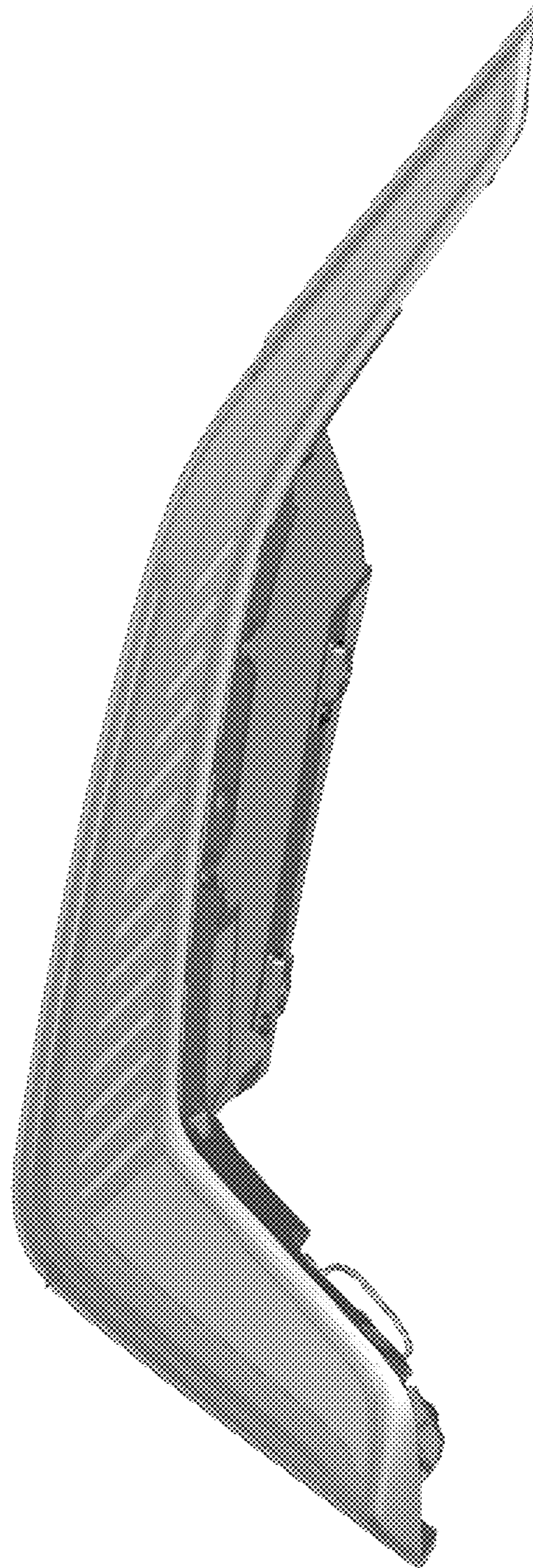
**1 Claim, 7 Drawing Sheets**



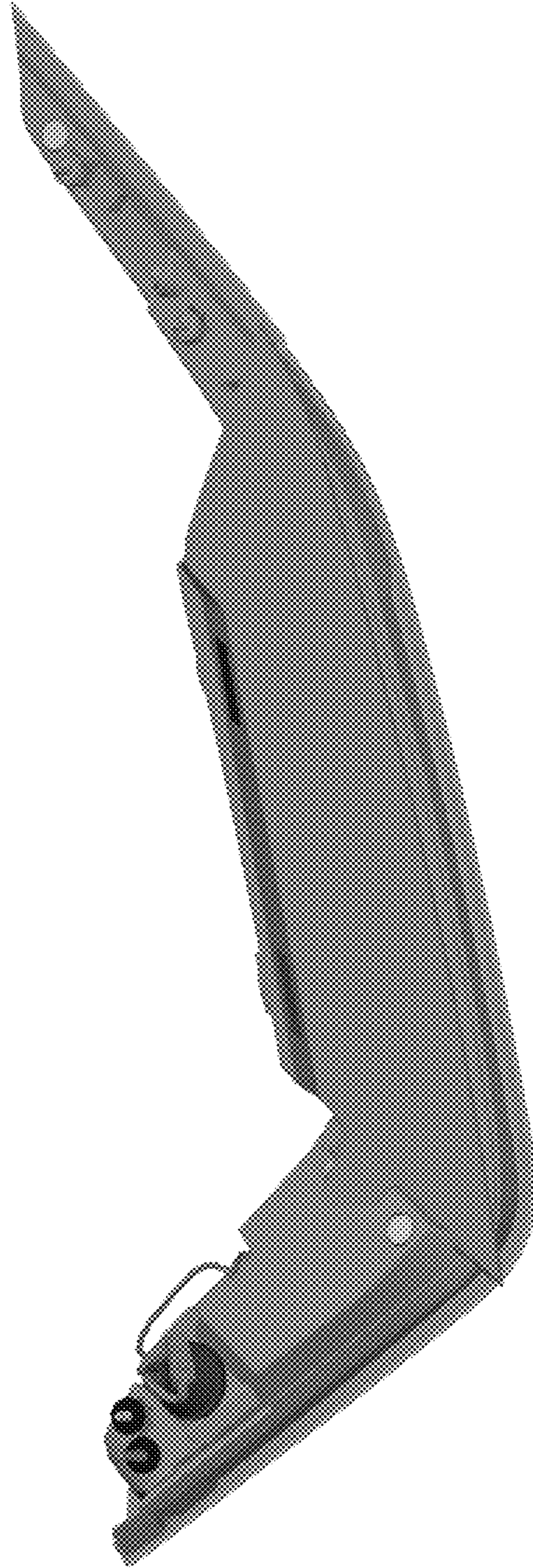
1.1



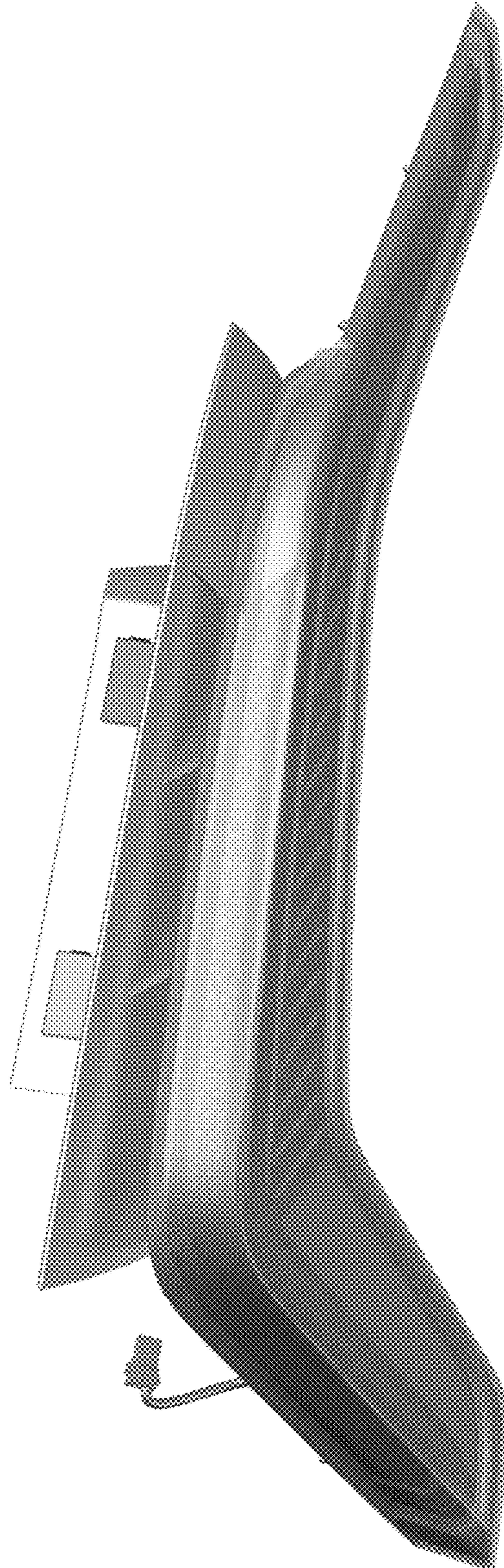
1.2



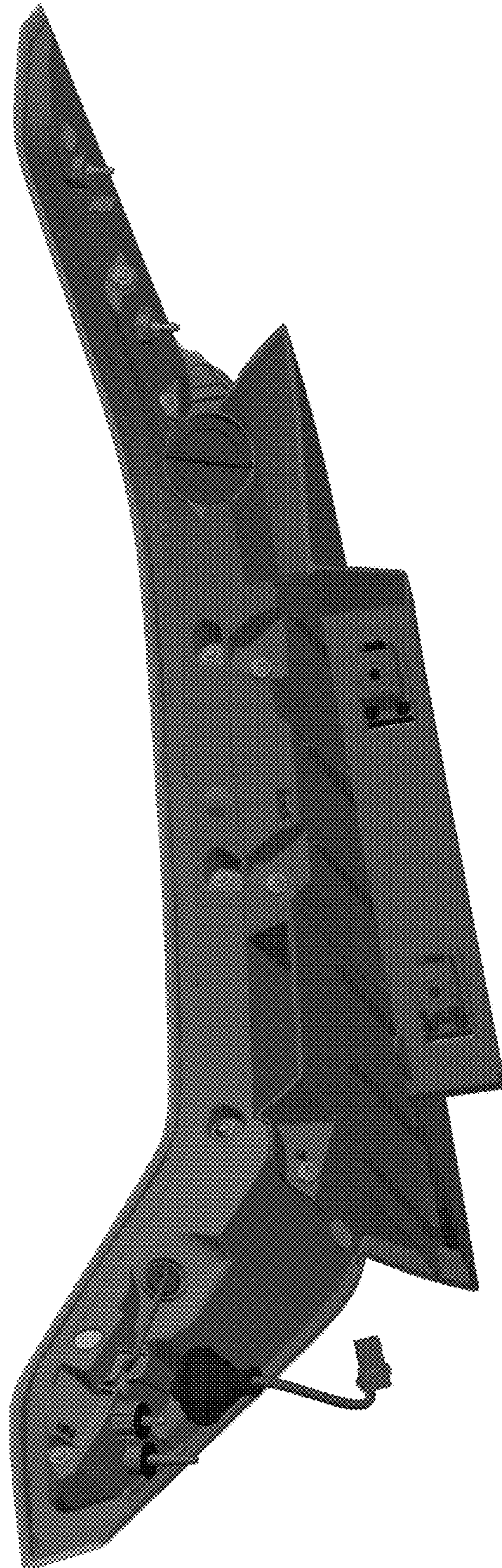
1.3



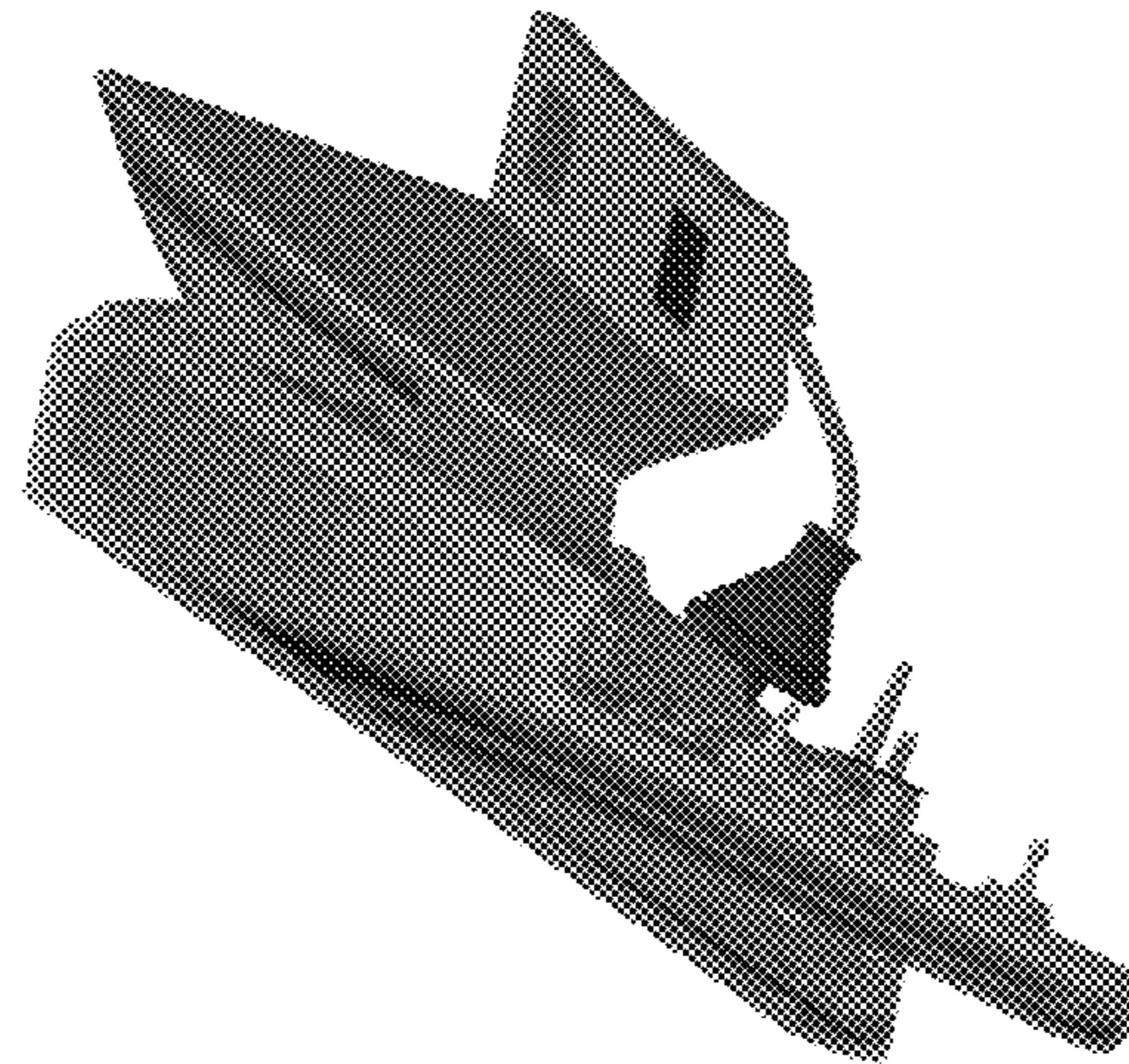
1.4



1.5



1.6



1.7

