



US00D981610S

(12) **United States Design Patent** (10) **Patent No.:** **US D981,610 S**
Hong et al. (45) **Date of Patent:** **** Mar. 21, 2023**

(54) **HEAD LAMP FOR AUTOMOBILE**

(56) **References Cited**

(71) Applicants: **HYUNDAI MOTOR COMPANY**,
Seoul (KR); **Kia Corporation**, Seoul
(KR)

U.S. PATENT DOCUMENTS

D708,365 S *	7/2014	Platto	D26/28
D709,217 S *	7/2014	Kim	D26/28
D816,246 S *	4/2018	Hannemann	D26/28
D842,510 S *	3/2019	Kang	D26/28
D889,700 S *	7/2020	Wang	D26/28
D905,876 S *	12/2020	Wu	D26/28
D921,245 S *	6/2021	Jung	D26/28
D923,833 S *	6/2021	Chen	D26/28
D930,199 S *	9/2021	Chen	D26/28
D954,310 S *	6/2022	Lin	D26/28
D970,069 S *	11/2022	Lin	D26/28
D971,463 S *	11/2022	Yang	D26/28

(72) Inventors: **Seung Pyo Hong**, Incheon (KR); **Jung Bin Kim**, Bucheon-si (KR); **Hwan Wook Baek**, Chungcheongbuk-do (KR); **Jong Myeong Yun**, Suwon-si (KR)

(**) Term: **15 Years**

* cited by examiner

(21) Appl. No.: **35/514,090**

Primary Examiner — Angela J Lee

(22) Filed: **Jan. 3, 2022**

(80) **Hague Agreement Data**

(57) **CLAIM**

Int. Filing Date: **Jan. 3, 2022**

Int. Reg. No.: **DM/220056**

Int. Reg. Date: **Jan. 3, 2022**

Int. Reg. Pub. Date: **Apr. 22, 2022**

The ornamental design for a head lamp for automobile, as shown and described.

(51) **LOC (14) Cl.** **26-06**

DESCRIPTION

(52) **U.S. Cl.**
USPC **D26/28**

(58) **Field of Classification Search**

USPC D26/28, 29, 30, 31, 32, 33, 34, 35, 36,
D26/139

CPC F21S 41/00; F21S 41/141; F21S 41/162;
F21S 41/18; F21S 41/20; F21S 41/33;
F21S 41/36; F21S 41/60; F21S 43/00;
F21W 2103/35; F21W 2103/40; F21W
2102/17; F21W 2102/30; F21W 2103/00;
F21W 2103/55; F21W 2104/00; F21W
2107/17; F21W 2107/13

1. Head lamp for automobile

1.1 : Perspective

1.2 : Front

1.3 : Back

1.4 : Left

1.5 : Left

1.6 : Top

1.7 : Bottom

Reproduction 1.1 is a perspective view of a head lamp for automobile showing our new design; reproduction 1.2 is a front elevation view thereof; reproduction 1.3 is a rear elevation view thereof; reproduction 1.4 is a left side elevation view thereof; reproduction 1.5 is a right side elevation view thereof; reproduction 1.6 is a top plan view thereof; reproduction 1.7 is a bottom plan view thereof.

See application file for complete search history.

1 Claim, 7 Drawing Sheets



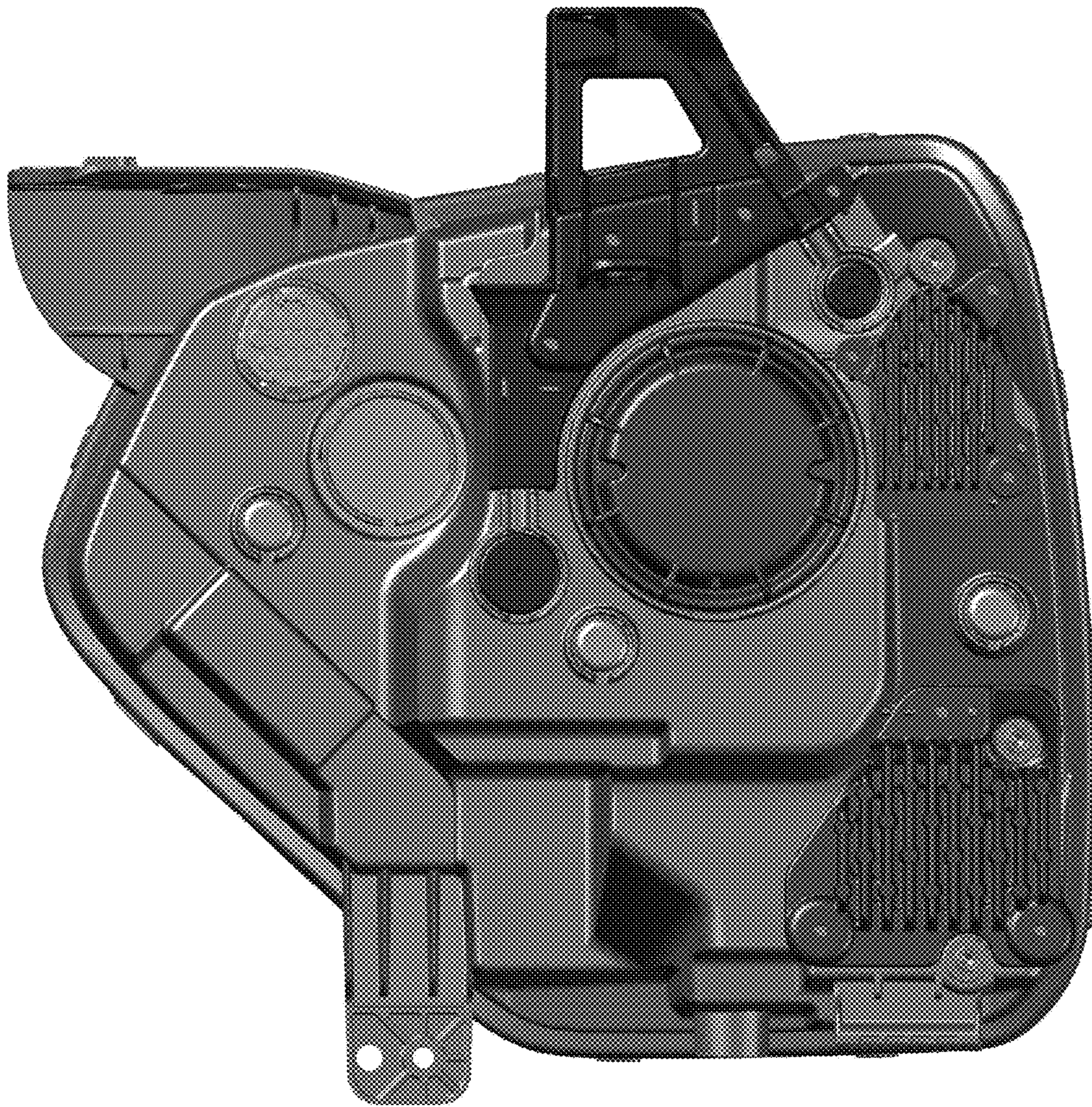
1.1



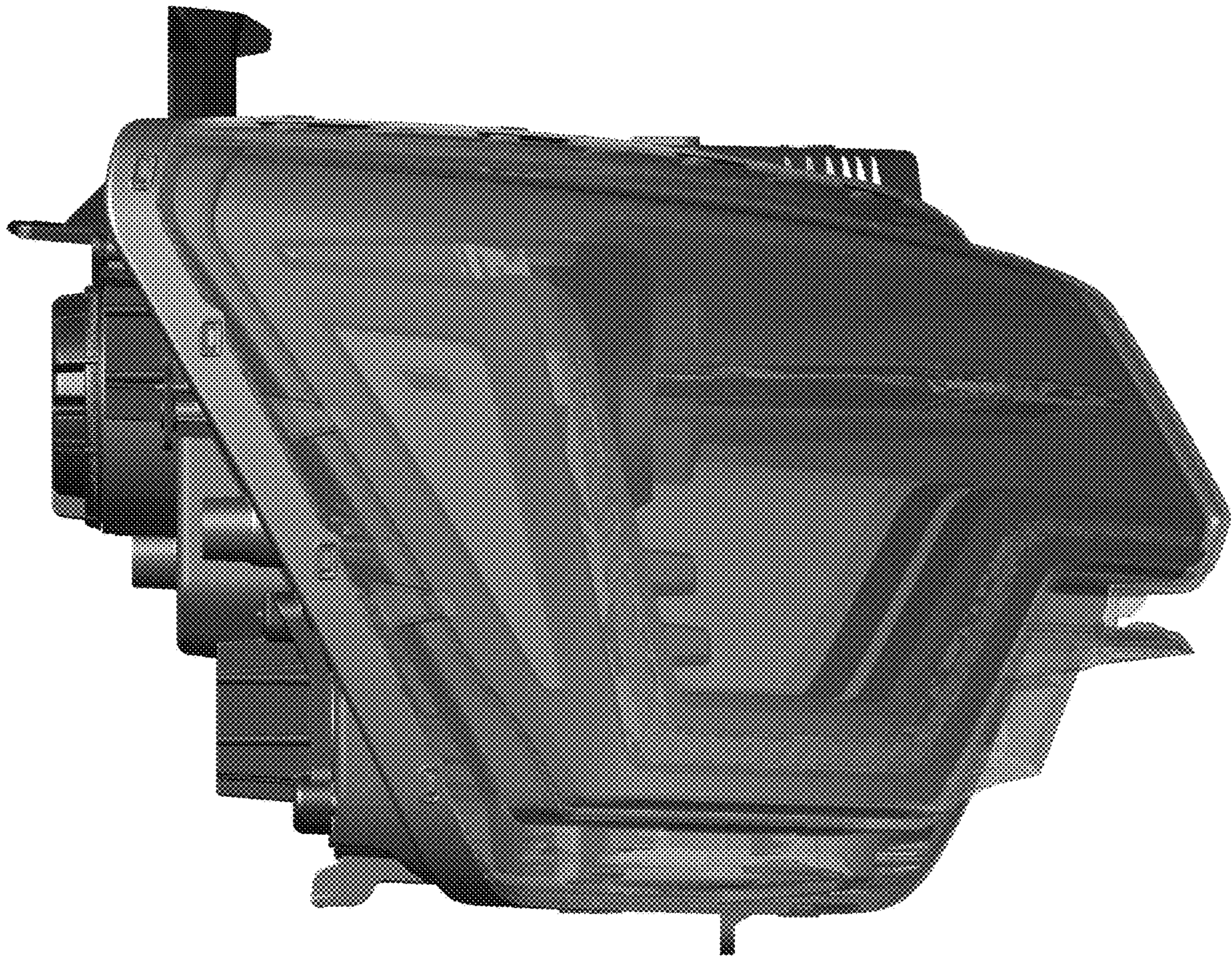
1.2



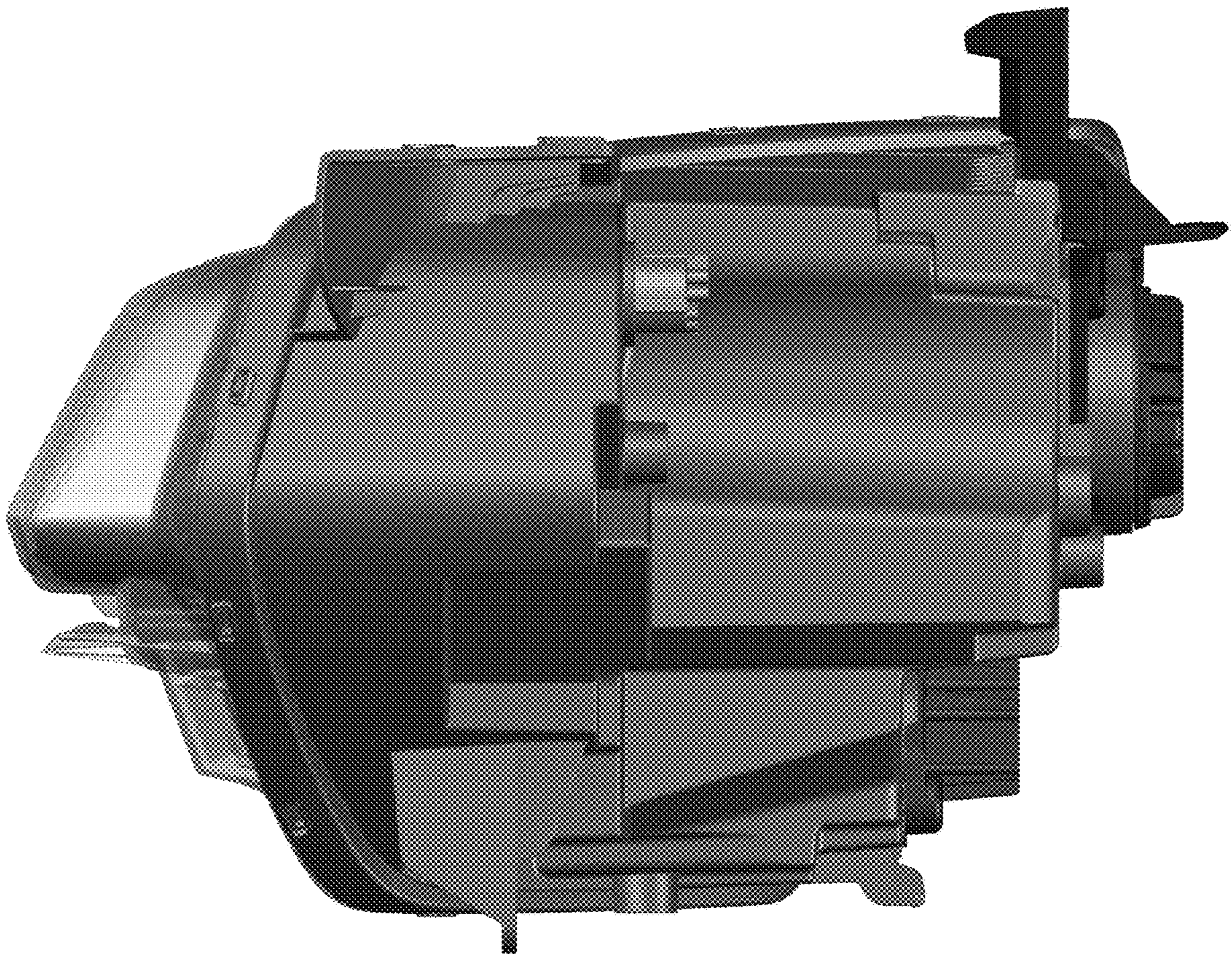
1.3



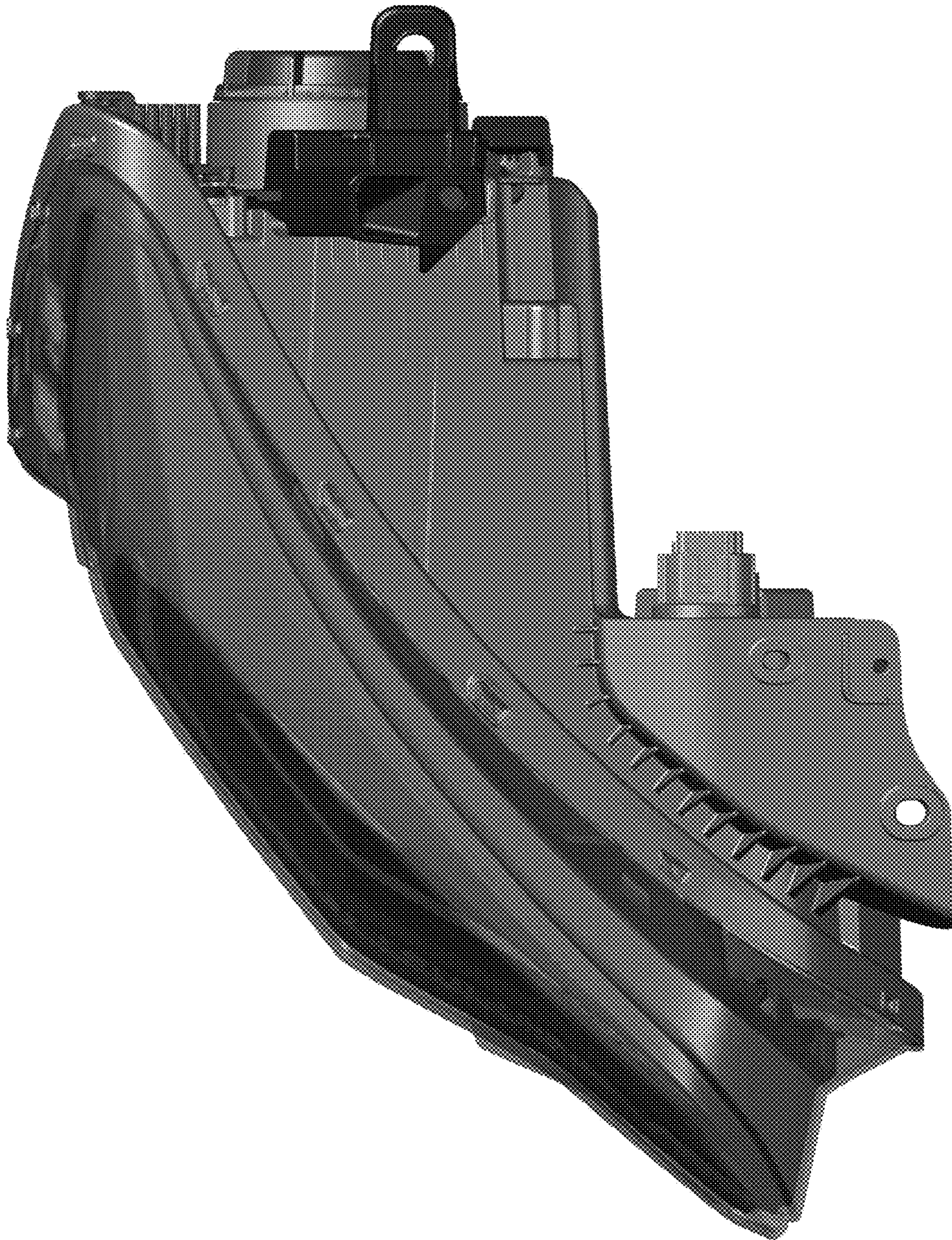
1.4



1.5



1.6



1.7

