



US00D981609S

(12) **United States Design Patent**
Hwang et al.

(10) **Patent No.:** **US D981,609 S**
(45) **Date of Patent:** **** Mar. 21, 2023**

(54) **REAR COMBINATION LAMP FOR VEHICLES**

(71) Applicants: **HYUNDAI MOTOR COMPANY**, Seoul (KR); **KIA CORPORATION**, Seoul (KR)

(72) Inventors: **Jae-Jin Hwang**, Gyeonggi-do (KR); **Jin-Yujun Kim**, Seoul (KR)

(73) Assignees: **Hyundai Motor Company**, Seoul (KR); **Kia Corporation**, Seoul (KR)

(**) Term: **15 Years**

(21) Appl. No.: **35/513,577**

(22) Filed: **Jan. 14, 2022**

(80) **Hague Agreement Data**

Int. Filing Date: **Jan. 14, 2022**

Int. Reg. No.: **DM/218650**

Int. Reg. Date: **Jan. 14, 2022**

Int. Reg. Pub. Date: **Feb. 11, 2022**

(51) **LOC (14) Cl.** **26-06**

(52) **U.S. Cl.**
USPC **D26/28**

(58) **Field of Classification Search**
USPC D26/28, 29, 30, 31, 32, 33, 34, 35, 36, D26/139
CPC F21W 2103/35; F21W 2103/40; F21W 2102/17; F21W 2102/30; F21W 2103/00; F21W 2103/55; F21W 2104/00; F21W 2107/17; F21W 2107/13; F21S 41/00; F21S 41/141; F21S 41/162; F21S 41/18; F21S 41/20; F21S 41/33; F21S 41/36; F21S 41/60; F21S 43/00; F21V 21/04
See application file for complete search history.

(56) **References Cited**

U.S. PATENT DOCUMENTS

D776,312 S * 1/2017 Han D26/28
D776,313 S * 1/2017 Han D26/28

D844,192 S * 3/2019 Nordmann D26/28
D857,955 S * 8/2019 Han F21S 43/00
D26/28
D857,956 S * 8/2019 Han F21S 43/00
D26/28
D866,026 S * 11/2019 Hannemann D26/28
D869,020 S * 12/2019 Allmendinger D26/28
D869,021 S * 12/2019 Allmendinger D26/28
D874,042 S * 1/2020 Lee D26/28
D877,375 S * 3/2020 Rafiq D26/28
D889,006 S * 6/2020 Lim D26/28
D935,652 S * 11/2021 Hwang D26/28
D937,455 S * 11/2021 Wu D26/28

* cited by examiner

Primary Examiner — Angela J Lee

(74) *Attorney, Agent, or Firm* — Fox Rothschild LLP

(57) **CLAIM**

The ornamental design for a rear combination lamp for vehicles, as shown and described.

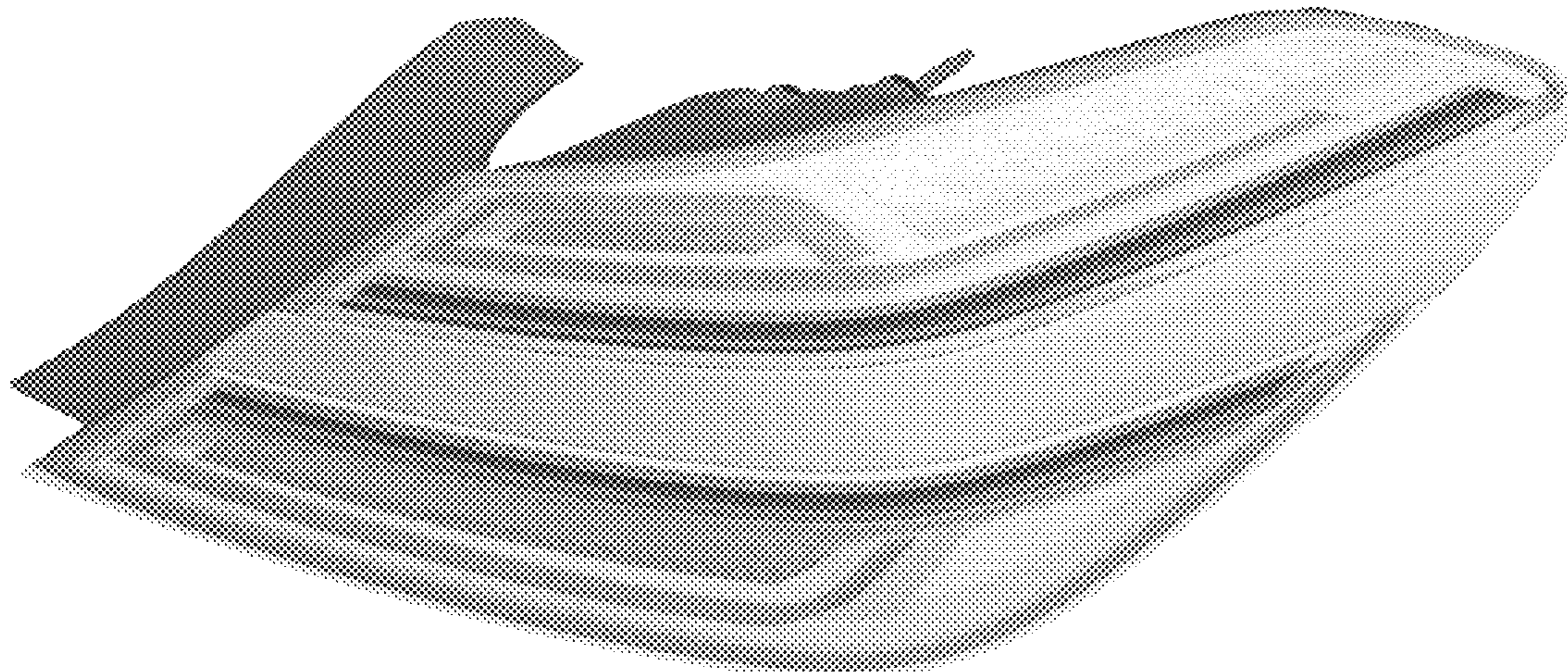
DESCRIPTION

1. Rear combination lamp for vehicles

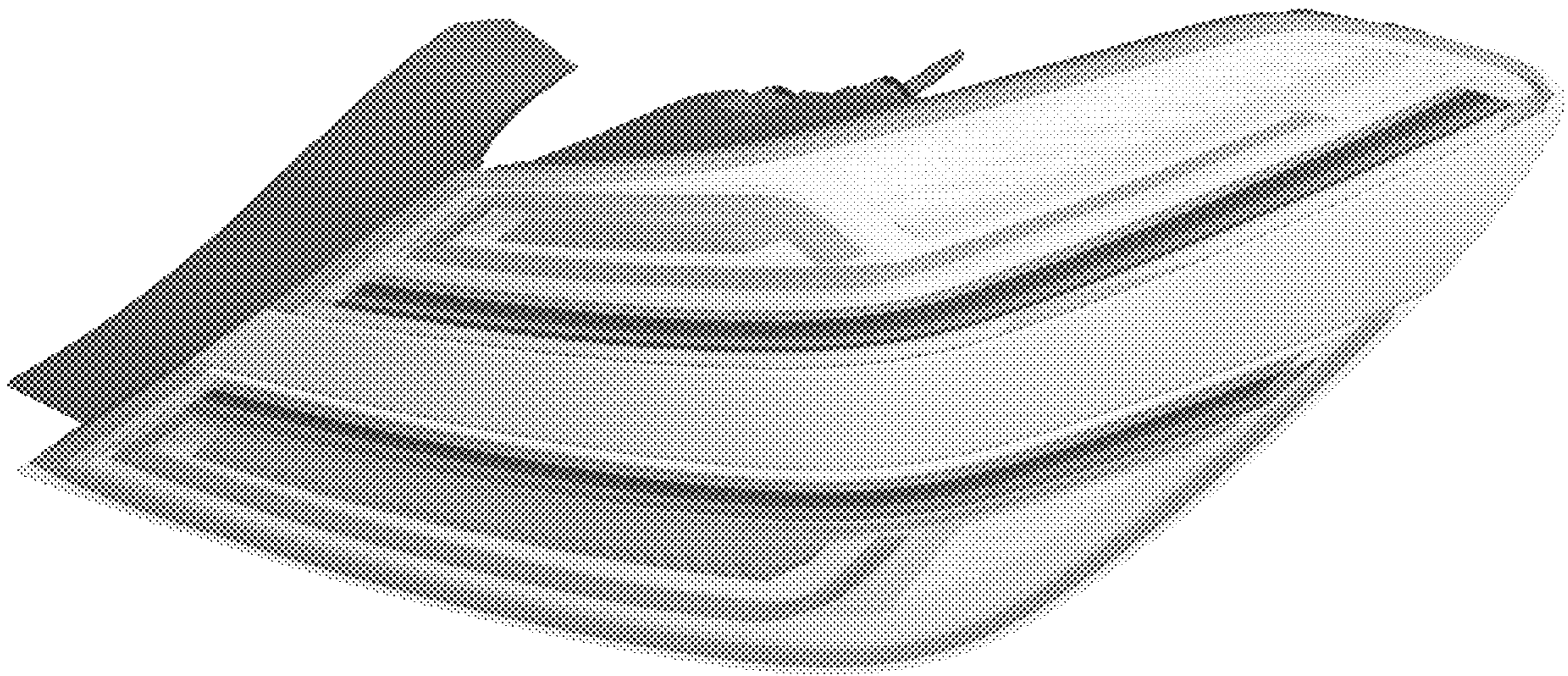
- 1.1 : Perspective
- 1.2 : Front
- 1.3 : Back
- 1.4 : Right
- 1.5 : Left
- 1.6 : Top
- 1.7 : Bottom
- 1.8 : Perspective

1.1 is a top, front, and left side perspective view of a rear combination lamp for vehicles embodying our new design; 1.2 is a front elevation view thereof; 1.3 is a rear elevation view thereof; 1.4 is a right side elevation view thereof; 1.5 is a left side elevation view thereof; 1.6 is a top plan view thereof; 1.7 is a bottom plan view thereof; and 1.8 is a top, rear, and right side perspective view thereof.

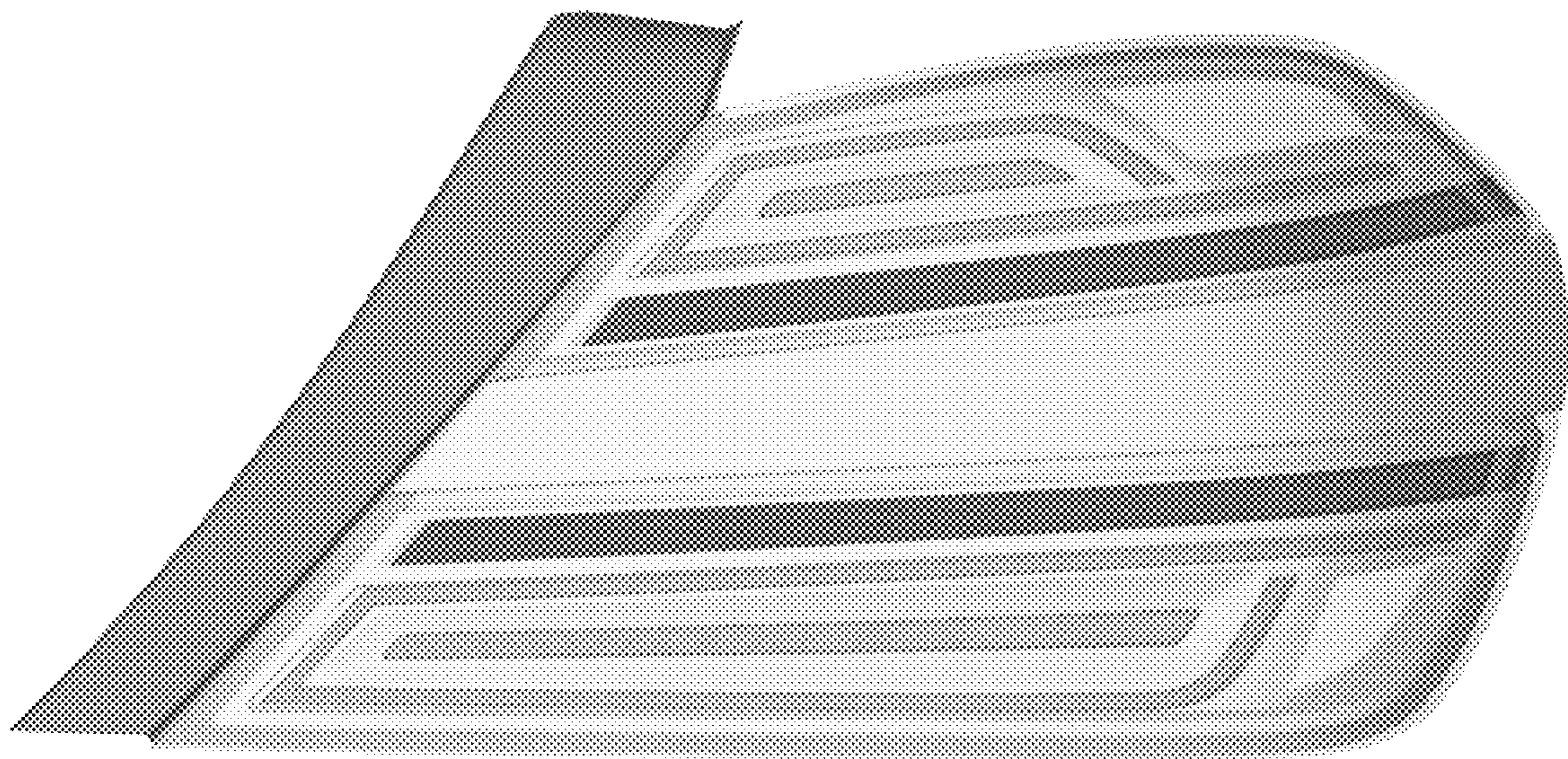
1 Claim, 8 Drawing Sheets



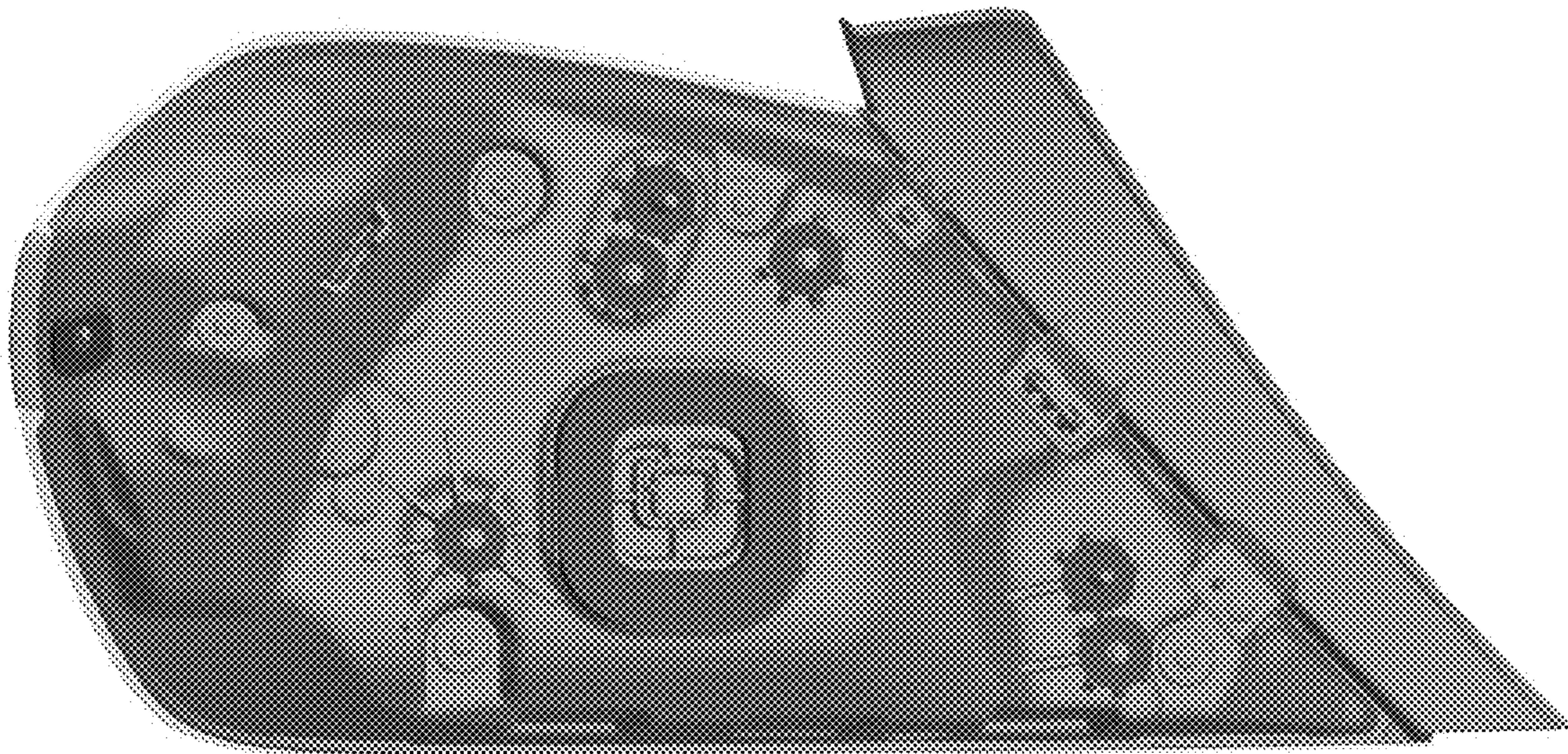
1.1



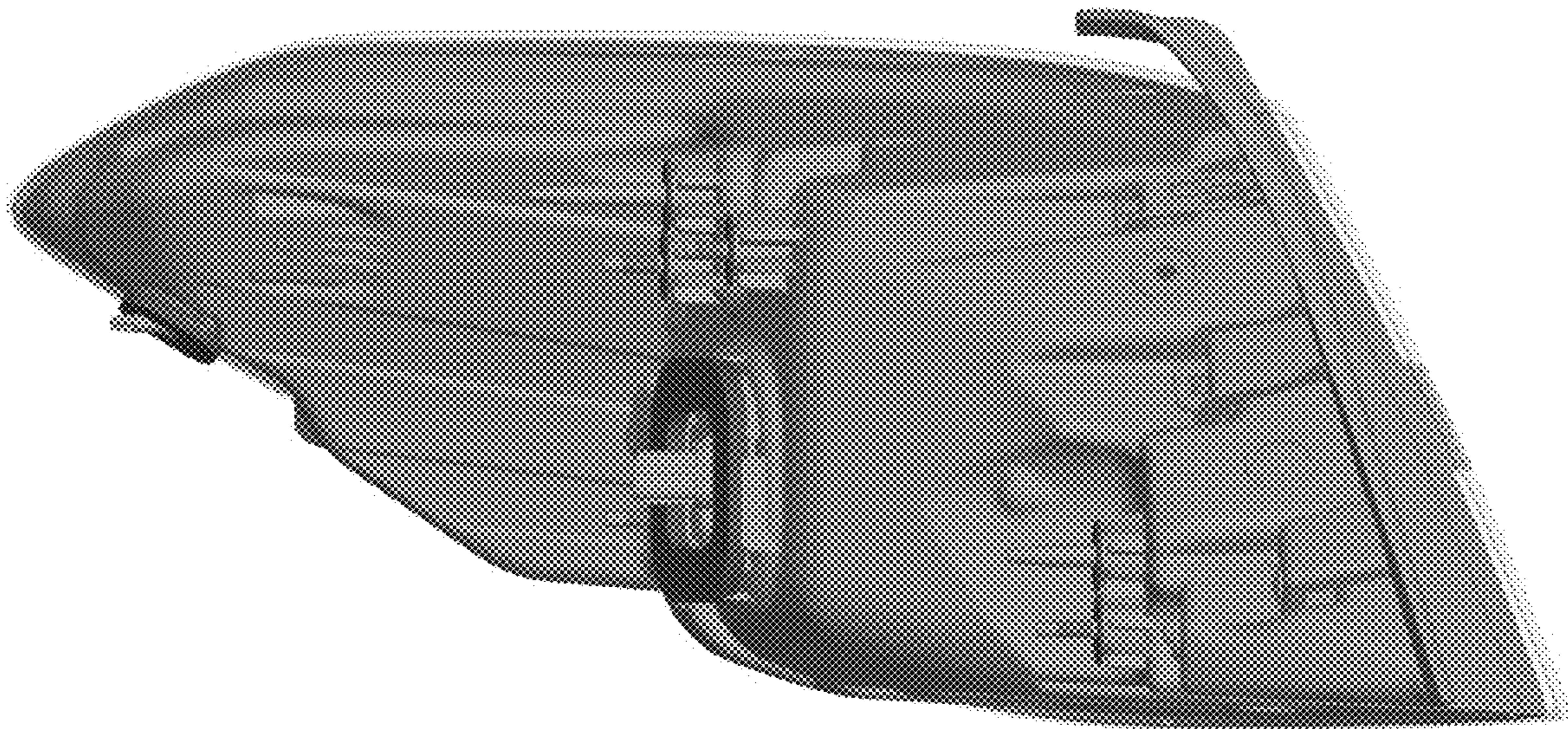
1.2



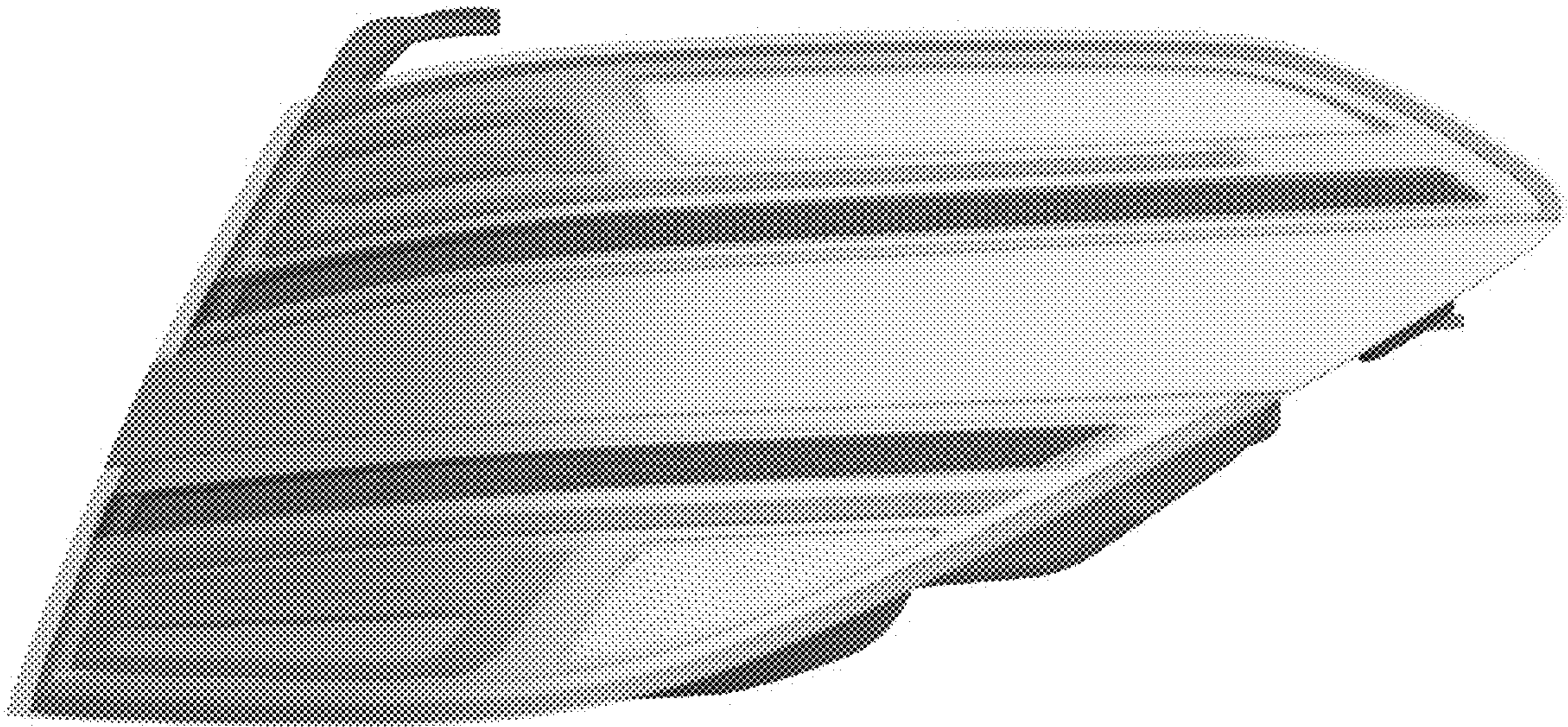
1.3



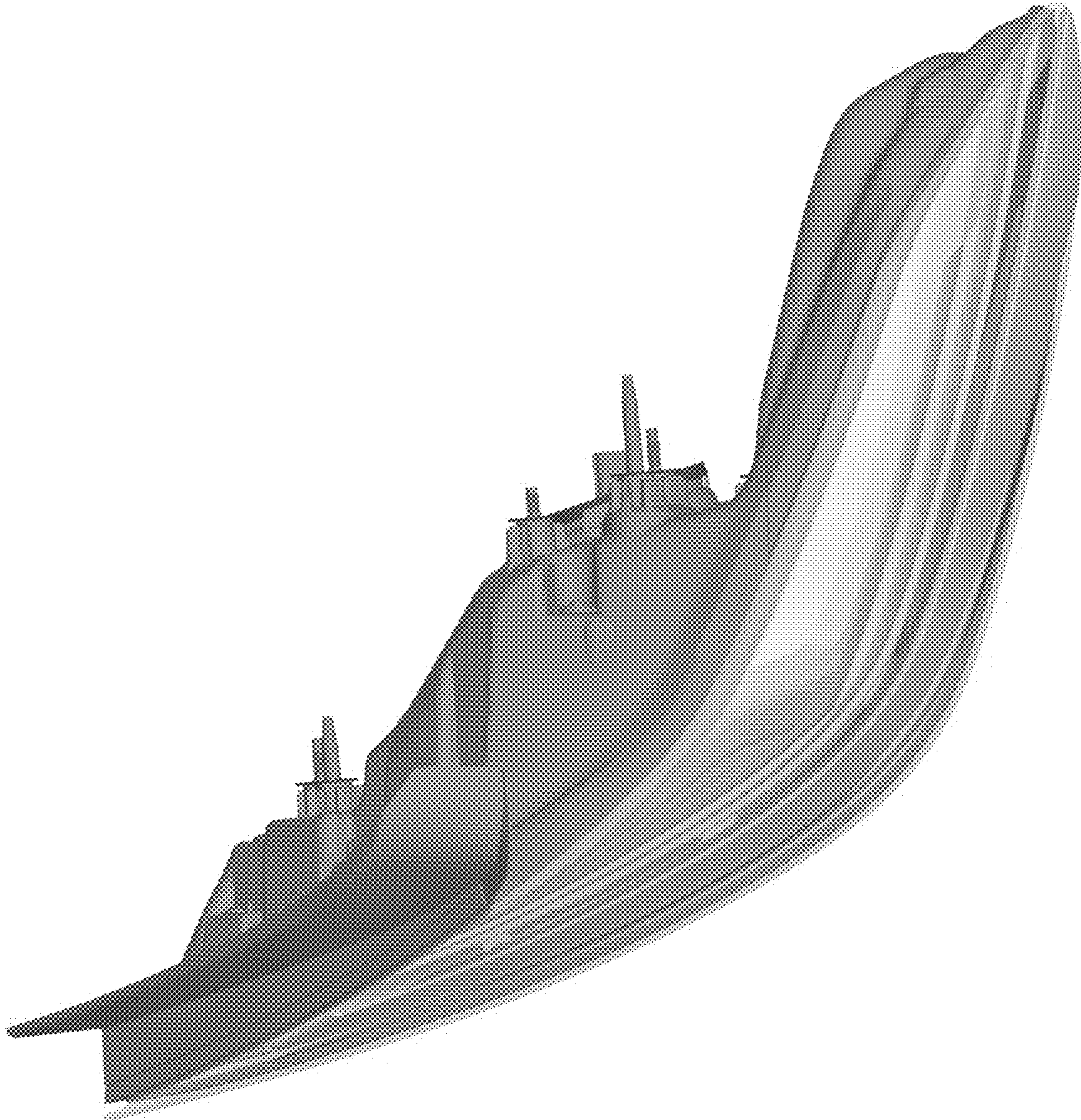
1.4



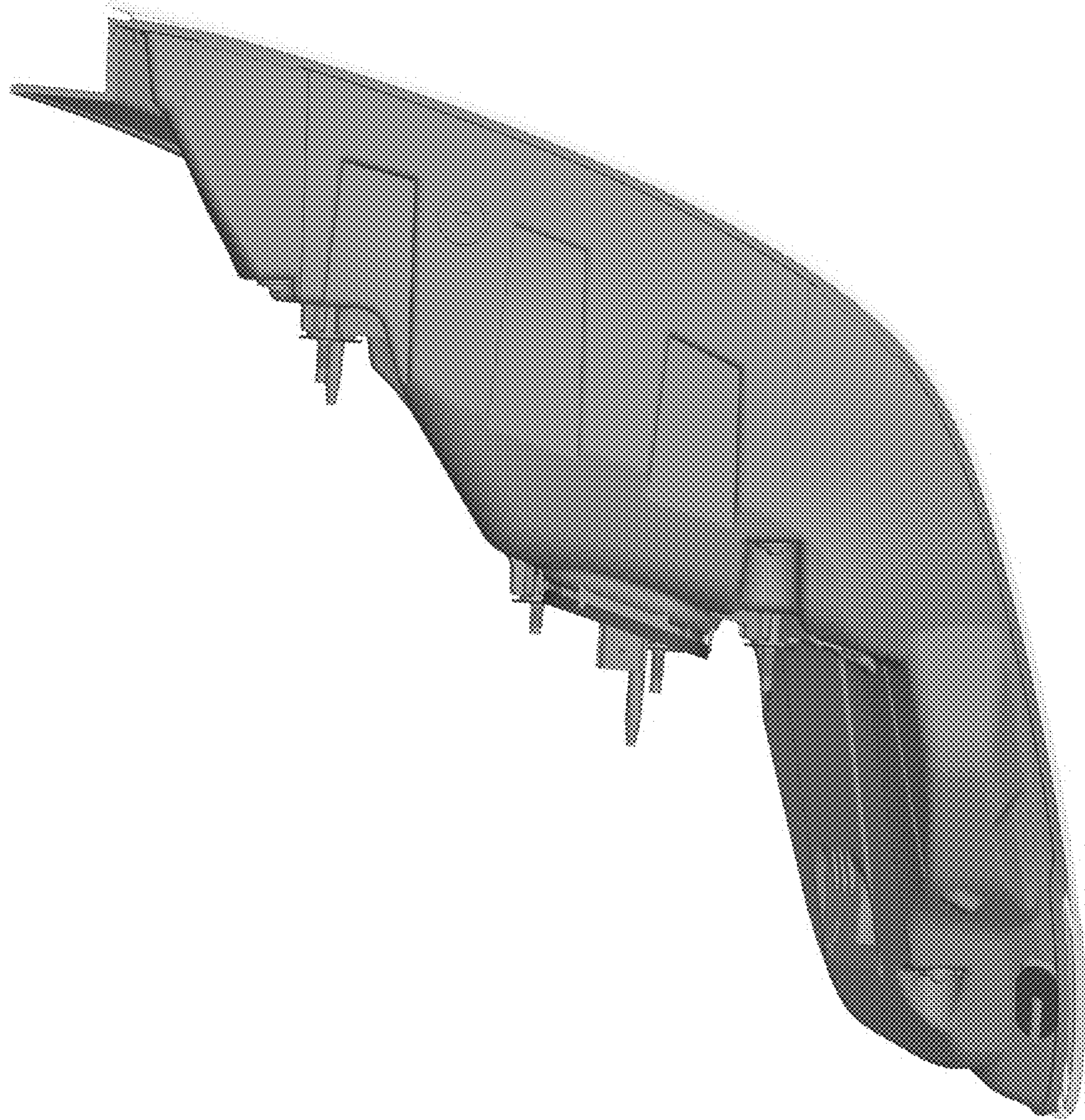
1.5



1.6



1.7



1.8

