



US00D981607S

(12) **United States Design Patent**  
**Zhai**

(10) **Patent No.:** **US D981,607 S**

(45) **Date of Patent:** **\*\* Mar. 21, 2023**

(54) **HEADLIGHT FOR A VEHICLE**  
(71) Applicant: **Bayerische Motoren Werke Aktiengesellschaft, Munich (DE)**  
(72) Inventor: **Chunyue Zhai, Munich (DE)**  
(73) Assignee: **Bayerische Motoren Werke Aktiengesellschaft, Munich (DE)**  
(\*\*) Term: **15 Years**

D827,885 S \* 9/2018 Hannemann ..... D26/28  
D843,615 S \* 3/2019 Nordmann ..... D26/28  
D844,188 S \* 3/2019 Nordmann ..... D26/28  
D853,607 S 7/2019 Allmendinger  
D866,023 S \* 11/2019 Hannemann ..... D26/28  
D866,024 S \* 11/2019 Hannemann ..... D26/28  
D883,533 S \* 5/2020 Zhai ..... D26/28  
D893,772 S \* 8/2020 Binder ..... D26/28  
D923,827 S \* 6/2021 Loisch ..... D26/28  
D938,630 S \* 12/2021 Allmendinger ..... D26/28  
D938,631 S \* 12/2021 Allmendinger ..... D26/28  
D939,111 S \* 12/2021 Allmendinger ..... D26/28  
D957,013 S \* 7/2022 Yang ..... D26/28

(21) Appl. No.: **29/786,463**

**FOREIGN PATENT DOCUMENTS**

(22) Filed: **Jun. 1, 2021**

WO WO DM/088023 4/2016  
WO WO DM/202728 11/2019  
WO WO DM/203470 3/2020

(30) **Foreign Application Priority Data**

\* cited by examiner

Dec. 4, 2020 (DE) ..... 402020101156.8

(51) **LOC (14) Cl.** ..... **26-06**

*Primary Examiner* — Angela J Lee

(52) **U.S. Cl.**  
USPC ..... **D26/28**

(74) *Attorney, Agent, or Firm* — Crowell & Moring LLP

(58) **Field of Classification Search**  
USPC ..... D26/28, 29, 30, 31, 32, 33, 34, 35, 36,  
D26/139

(57) **CLAIM**

CPC ..... F21W 2103/35; F21W 2103/40; F21W 2102/17; F21W 2102/30; F21W 2103/00; F21W 2103/55; F21W 2104/00; F21W 2107/17; F21W 2107/13; F21S 41/00; F21S 41/141; F21S 41/162; F21S 41/18; F21S 41/20; F21S 41/33; F21S 41/36; F21S 41/60; F21S 43/00; F21V 21/04  
See application file for complete search history.

The ornamental design for a headlight for a vehicle, as shown and described.

**DESCRIPTION**

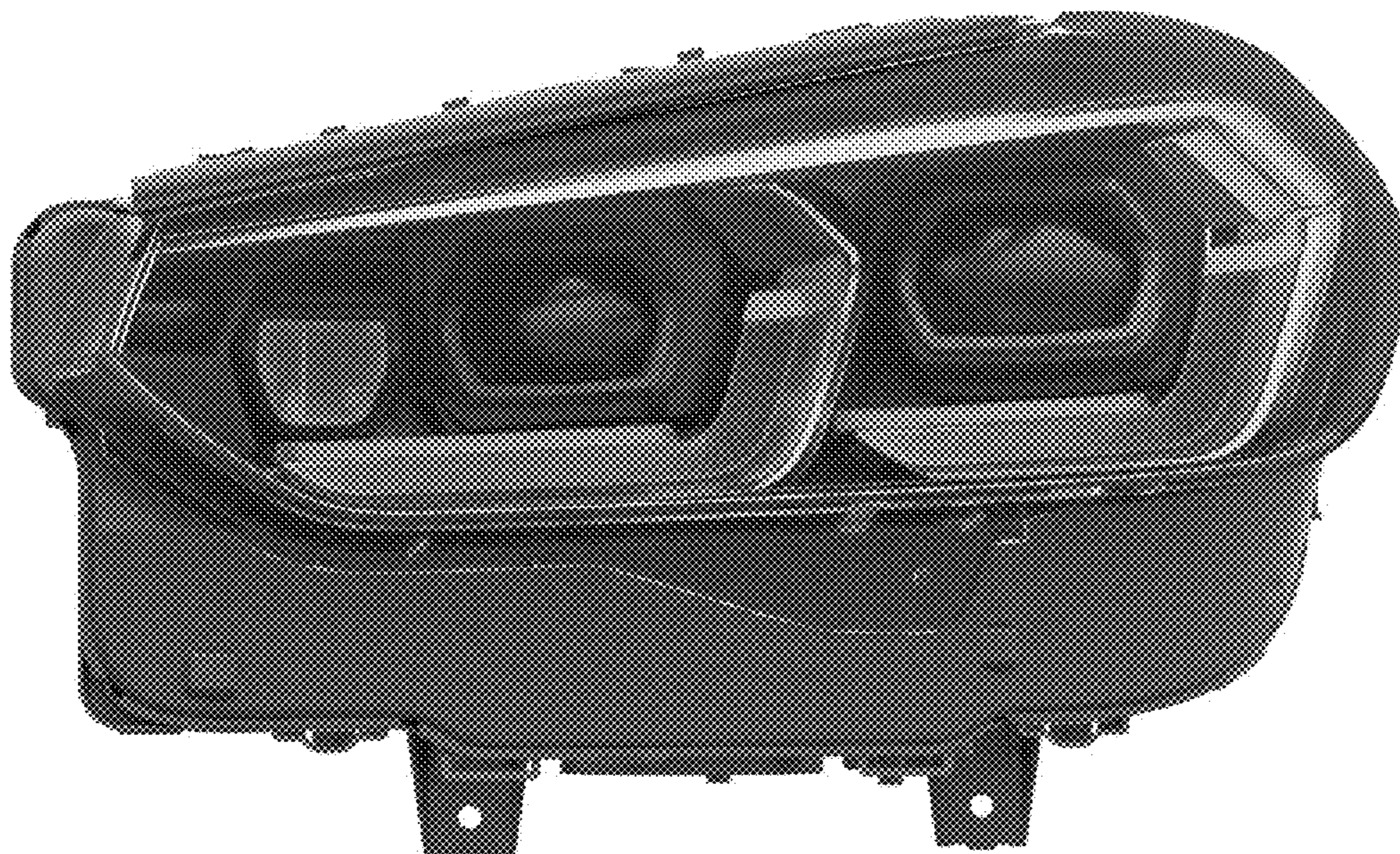
(56) **References Cited**

FIG. 1 is a front view of a headlight for a vehicle according to the design;  
FIG. 2 is a right, front perspective view thereof;  
FIG. 3 is a left, bottom perspective view thereof;  
FIG. 4 is a right side view thereof;  
FIG. 5 is a left side view thereof;  
FIG. 6 is a top view thereof;  
FIG. 7 is a bottom view thereof; and,  
FIG. 8 is a rear view thereof.

**U.S. PATENT DOCUMENTS**

D767,177 S 9/2016 Faghihzadeh  
D801,563 S 10/2017 Hannemann

**1 Claim, 8 Drawing Sheets**



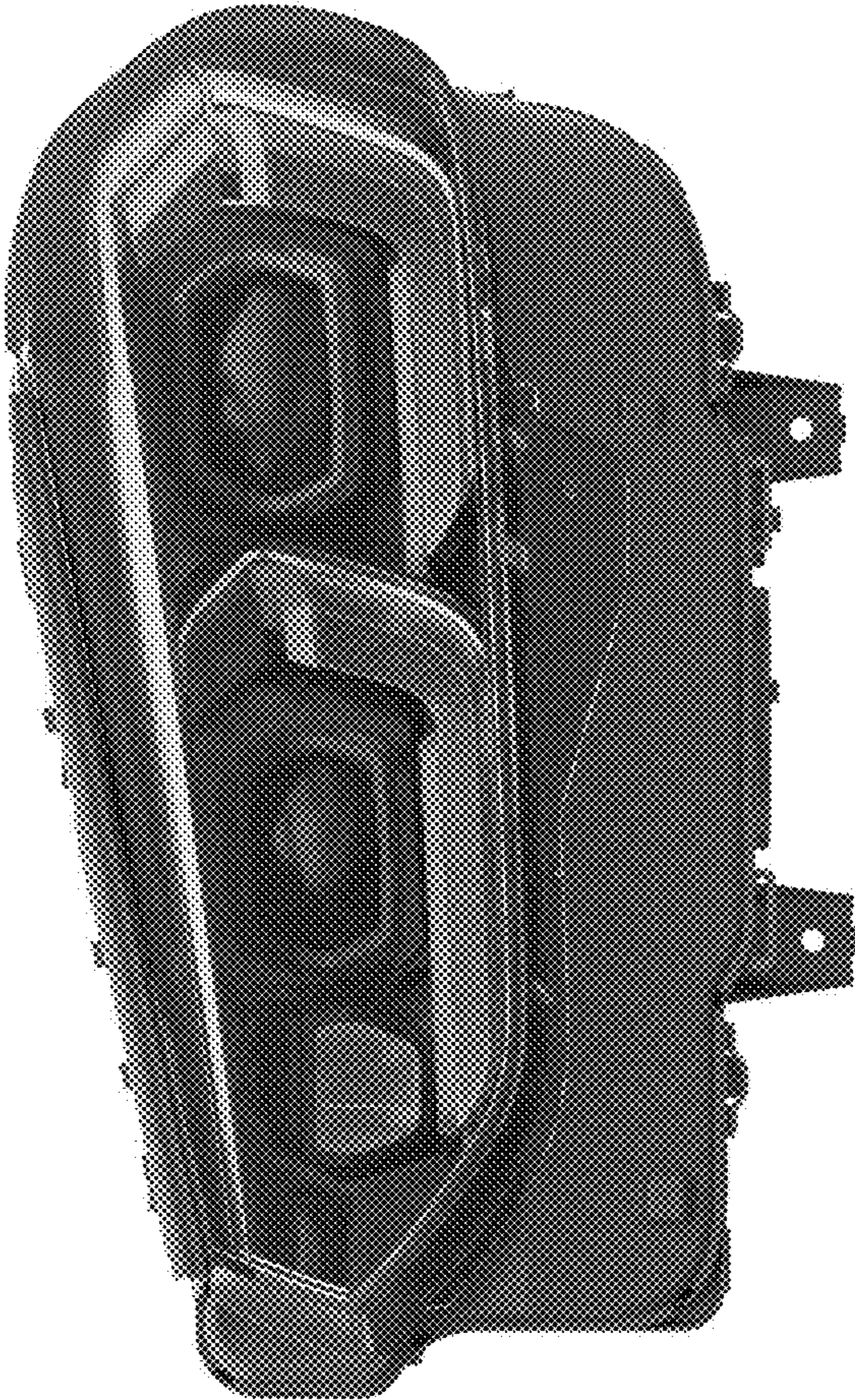


Fig. 1

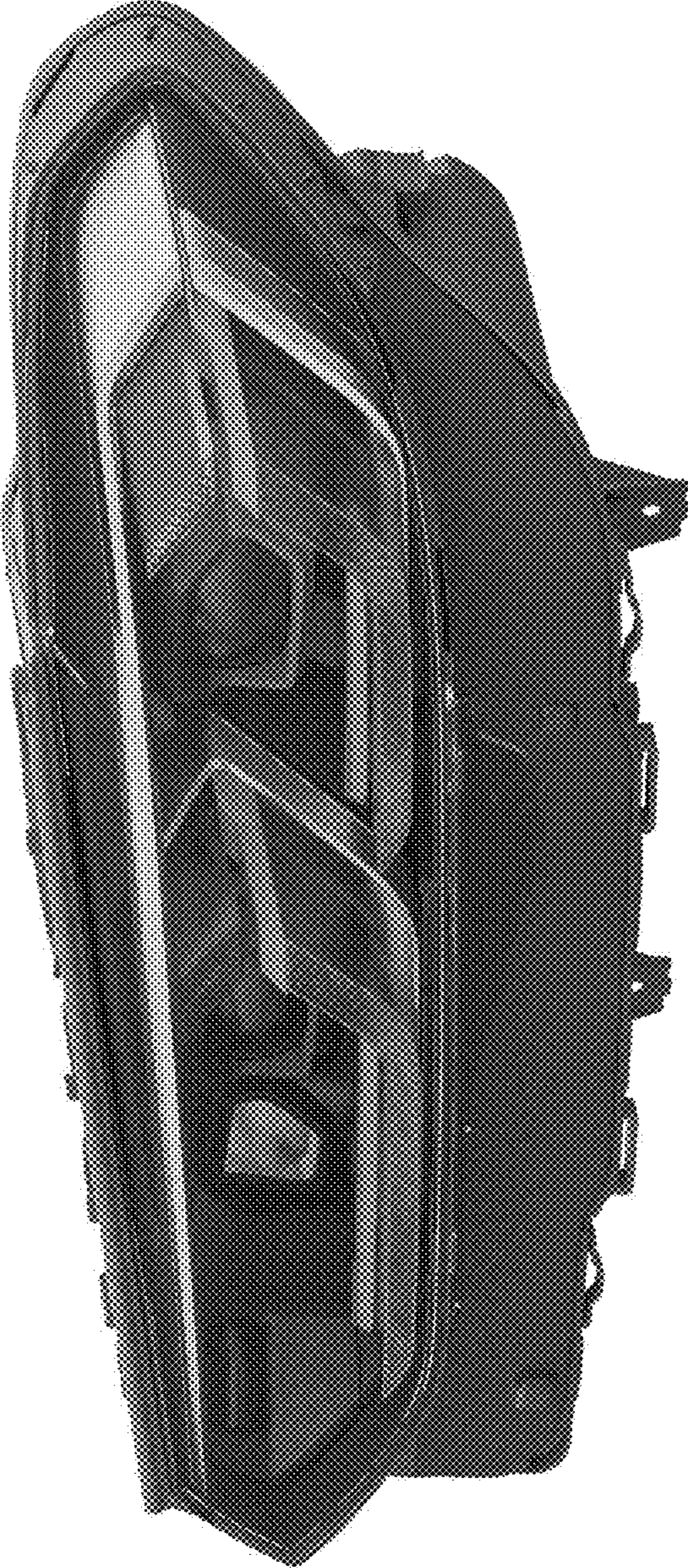


Fig. 2

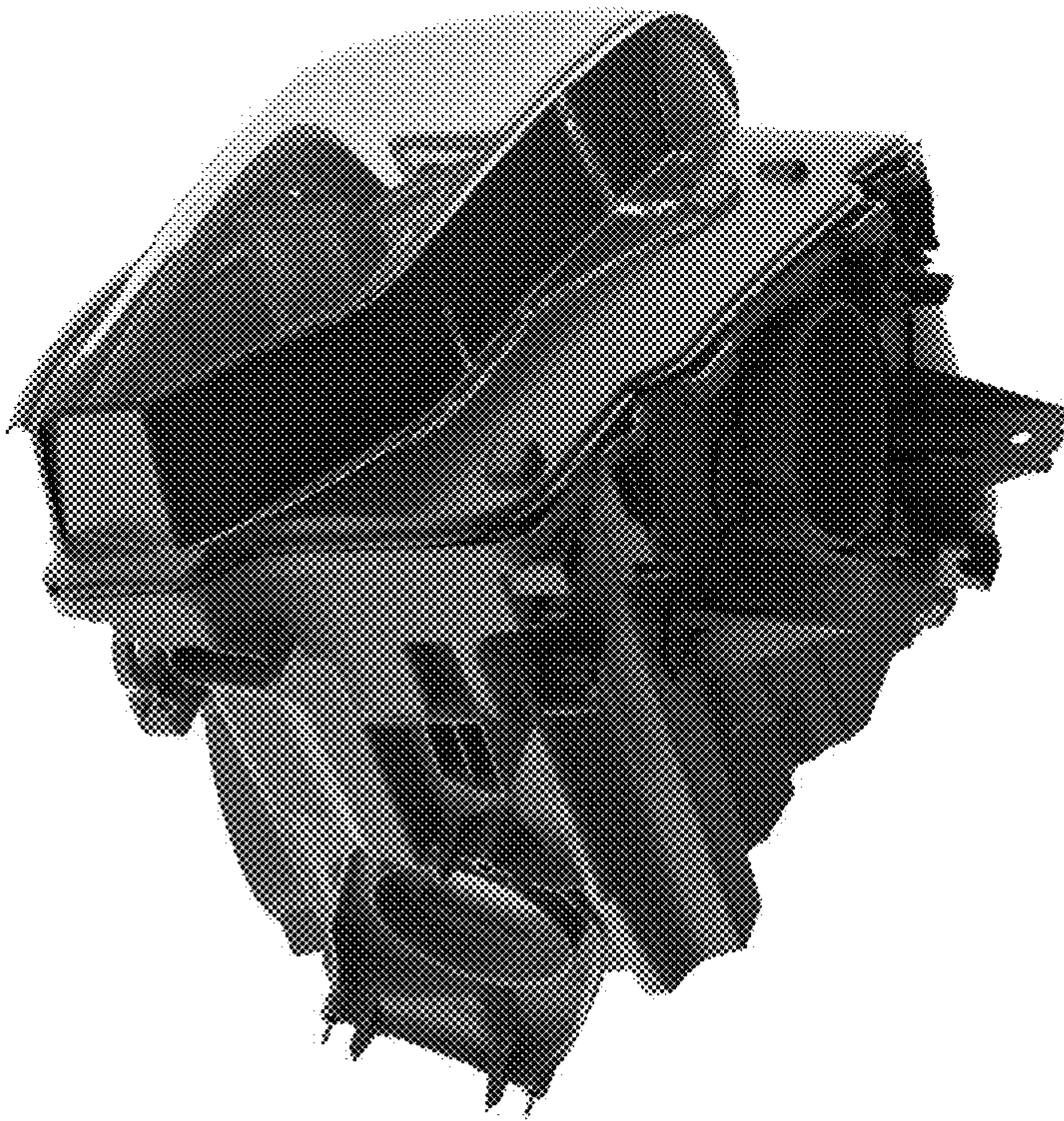


Fig. 3

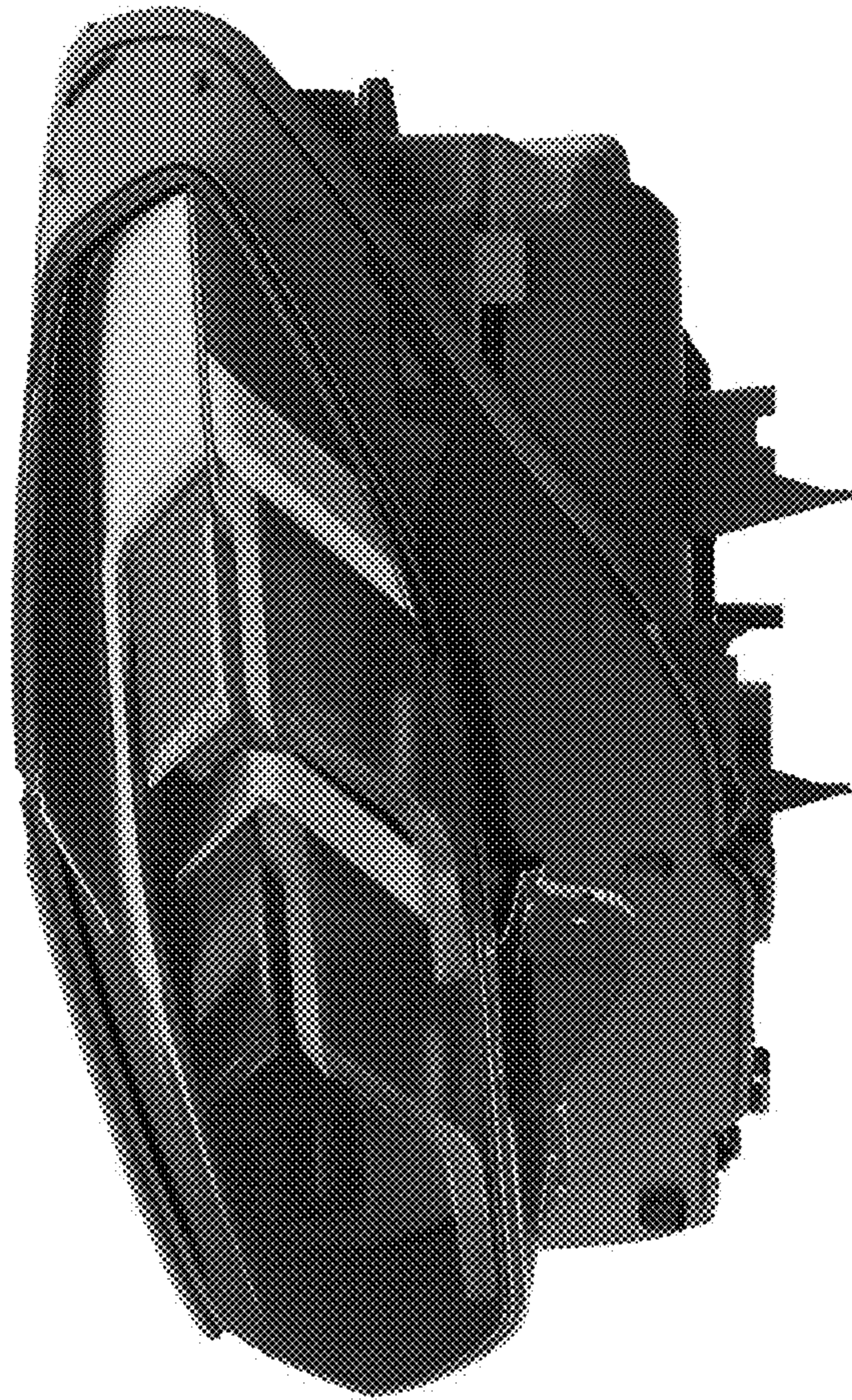


Fig. 4

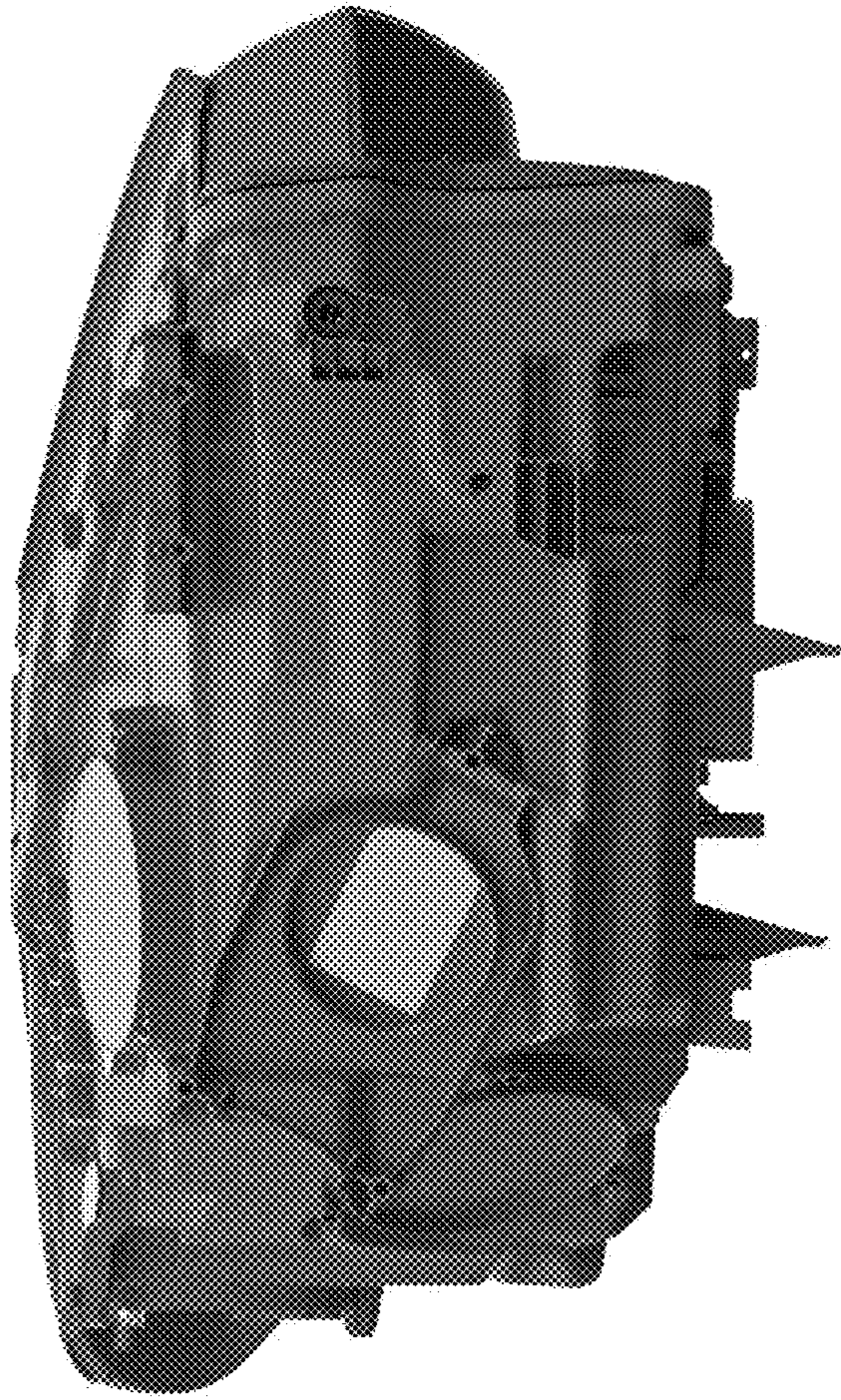


Fig. 5

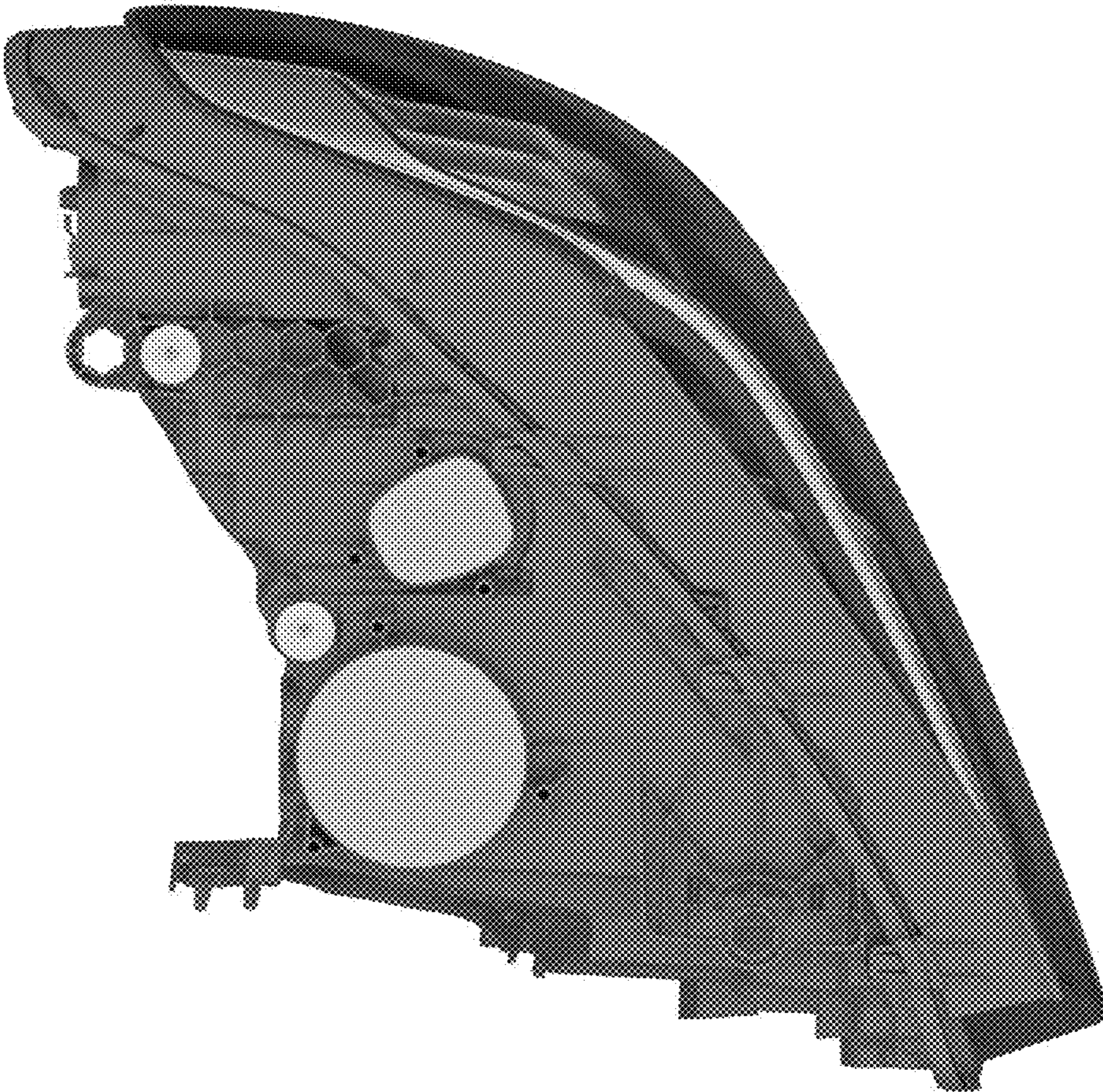


Fig. 6

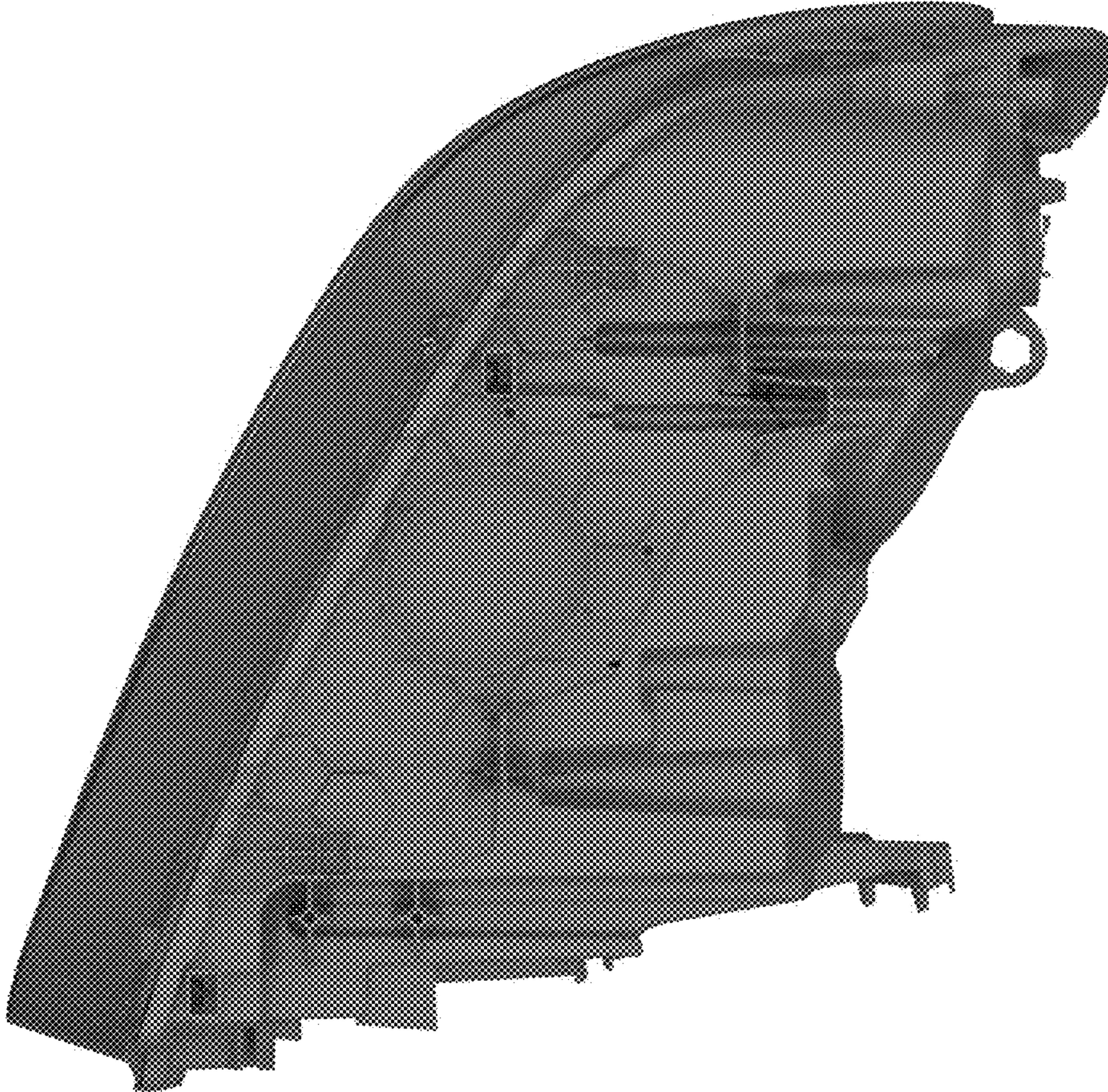


Fig. 7



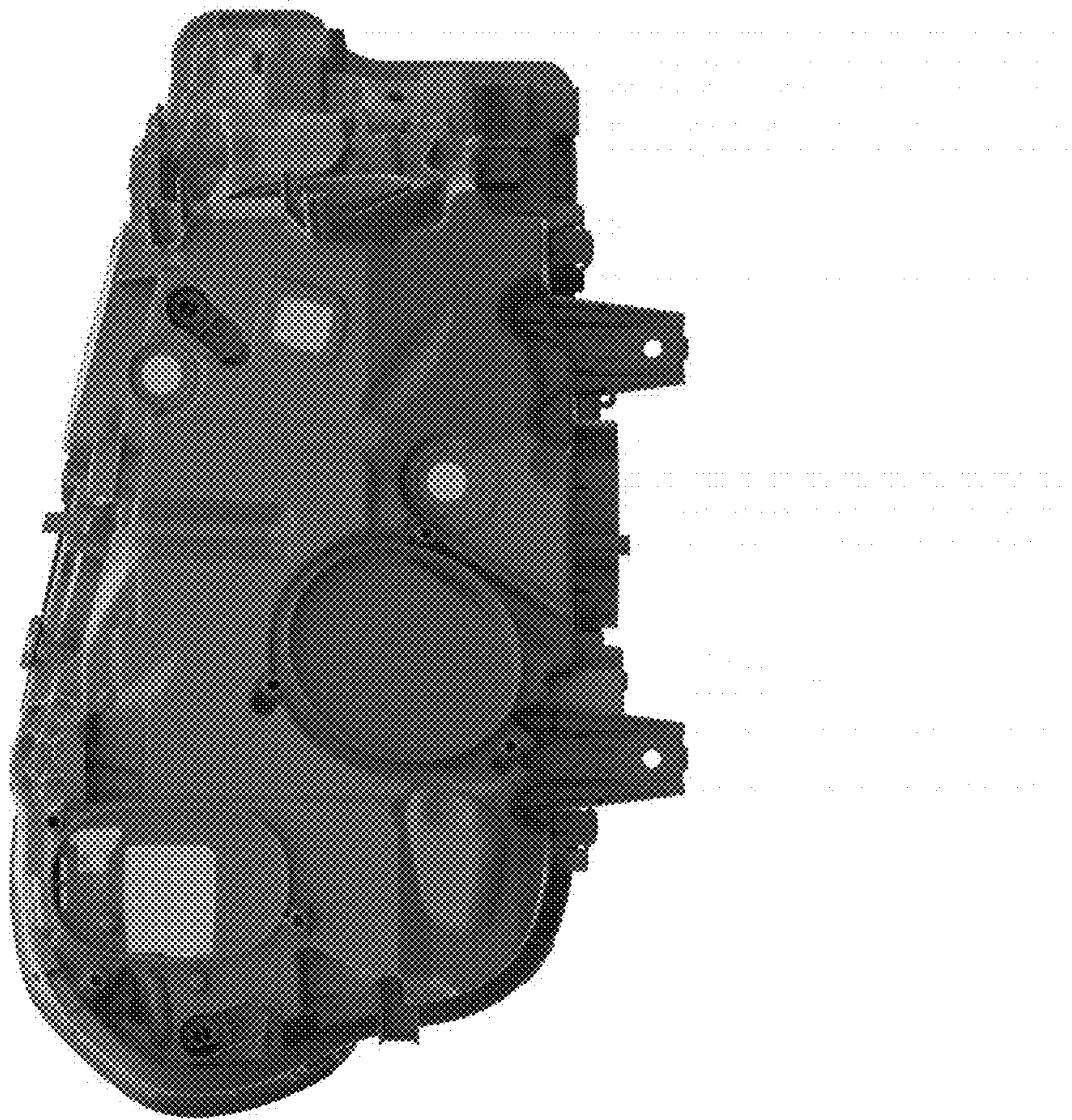


Fig. 8