



US00D981606S

(12) **United States Design Patent**
Zhai

(10) **Patent No.:** **US D981,606 S**
(45) **Date of Patent:** **** Mar. 21, 2023**

(54) **HEADLIGHT FOR A VEHICLE**
(71) Applicant: **Bayerische Motoren Werke
Aktiengesellschaft, Munich (DE)**
(72) Inventor: **Chunyue Zhai, Munich (DE)**
(73) Assignee: **Bayerische Motoren Werke
Aktiengesellschaft, Munich (DE)**
(**) Term: **15 Years**

D828,589 S 9/2018 Hannemann
D828,590 S * 9/2018 Hannemann D26/28
D843,615 S * 3/2019 Nordmann D26/28
D844,862 S 4/2019 Nordmann
D853,607 S * 7/2019 Allmendinger D26/28
D866,022 S * 11/2019 Hannemann D26/28
D866,023 S * 11/2019 Hannemann D26/28
D883,533 S * 5/2020 Zhai D26/28
D893,772 S * 8/2020 Binder D26/28
D923,827 S * 6/2021 Loisch D26/28
D938,630 S * 12/2021 Allmendinger D26/28
D939,111 S * 12/2021 Allmendinger D26/28
D957,013 S * 7/2022 Yang D26/28

(21) Appl. No.: **29/786,462**

* cited by examiner

(22) Filed: **Jun. 1, 2021**

Primary Examiner — Angela J Lee

(30) **Foreign Application Priority Data**

(74) *Attorney, Agent, or Firm* — Crowell & Moring LLP

Dec. 4, 2020 (DE) 402020101156.8

(51) **LOC (14) Cl.** **26-06**

(52) **U.S. Cl.**
USPC **D26/28**

(58) **Field of Classification Search**
USPC D26/28, 29, 30, 31, 32, 33, 34, 35, 36,
D26/139

CPC F21W 2103/35; F21W 2103/40; F21W
2102/17; F21W 2102/30; F21W 2103/00;
F21W 2103/55; F21W 2104/00; F21W
2107/17; F21W 2107/13; F21S 41/00;
F21S 41/141; F21S 41/162; F21S 41/18;
F21S 41/20; F21S 41/33; F21S 41/36;
F21S 41/60; F21S 43/00; F21V 21/04
See application file for complete search history.

(56) **References Cited**

U.S. PATENT DOCUMENTS

D822,241 S * 7/2018 Lee D26/28
D822,242 S * 7/2018 Lee D26/28

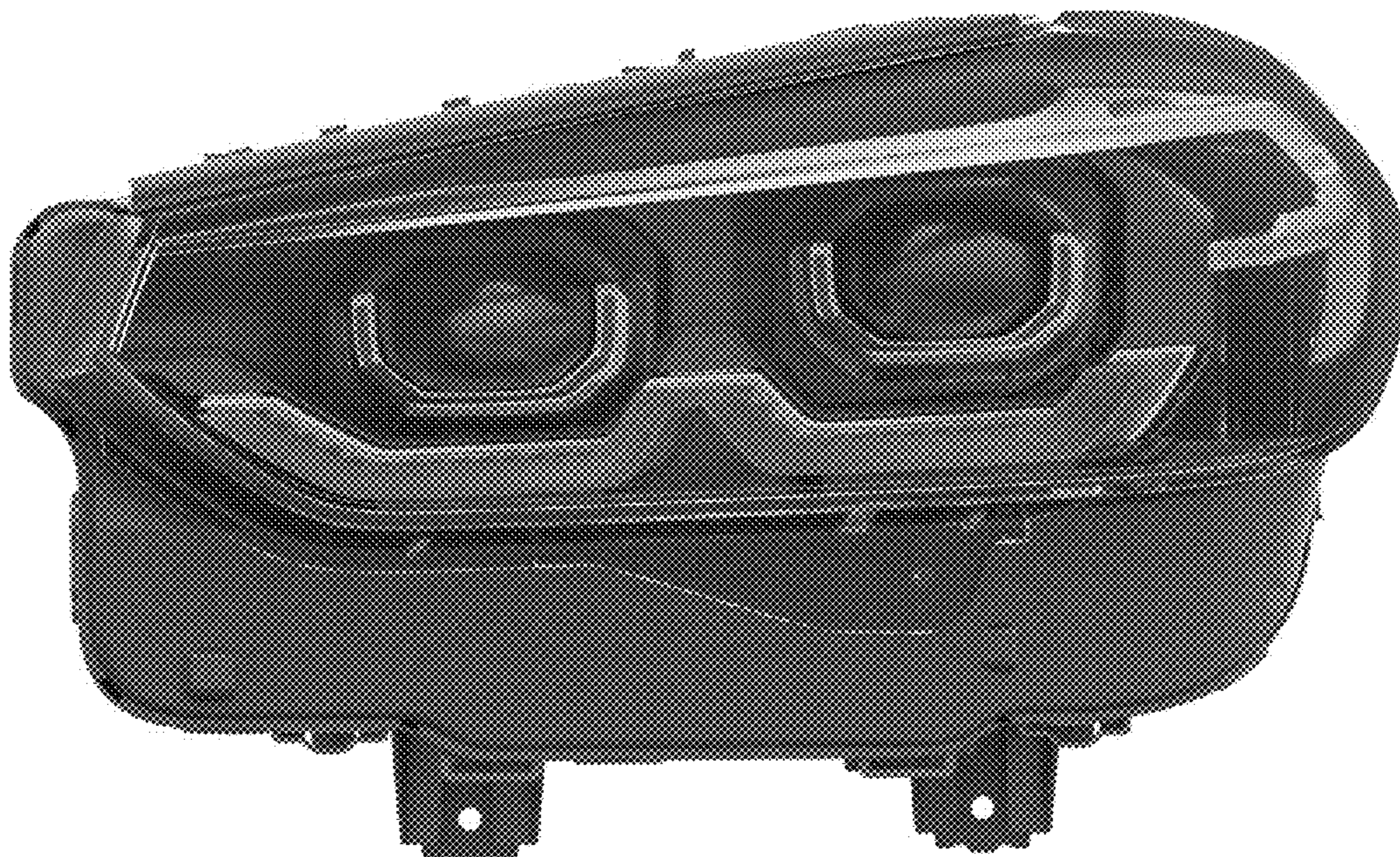
(57) **CLAIM**

The ornamental design for a headlight for a vehicle, as shown and described.

DESCRIPTION

FIG. 1 is a front view of a headlight for a vehicle according to the design;
FIG. 2 is a right, front perspective view thereof;
FIG. 3 is a left, bottom perspective view thereof;
FIG. 4 is a right side view thereof;
FIG. 5 is a left side view thereof;
FIG. 6 is a top view thereof;
FIG. 7 is a bottom view thereof; and,
FIG. 8 is a rear view thereof.

1 Claim, 8 Drawing Sheets



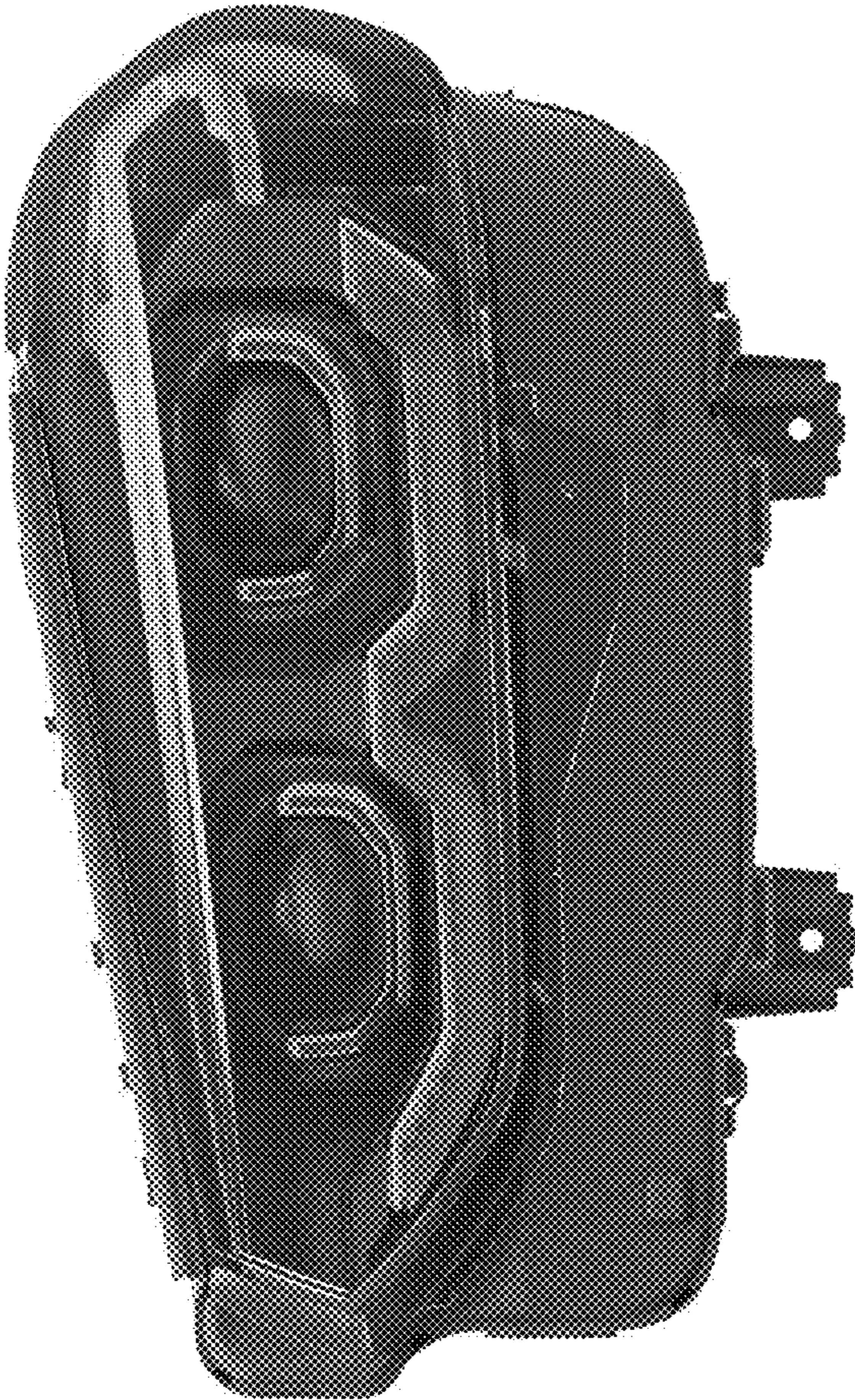


Fig. 1

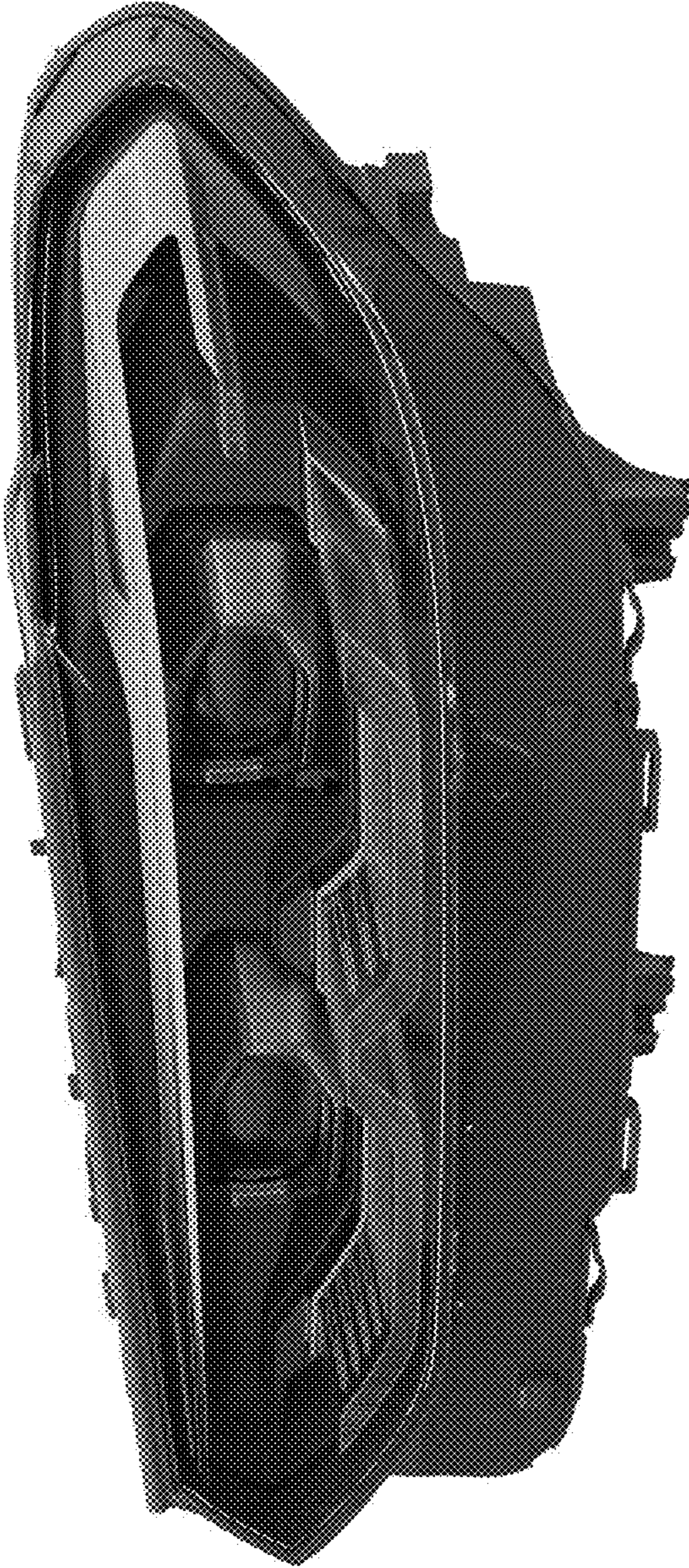


Fig. 2

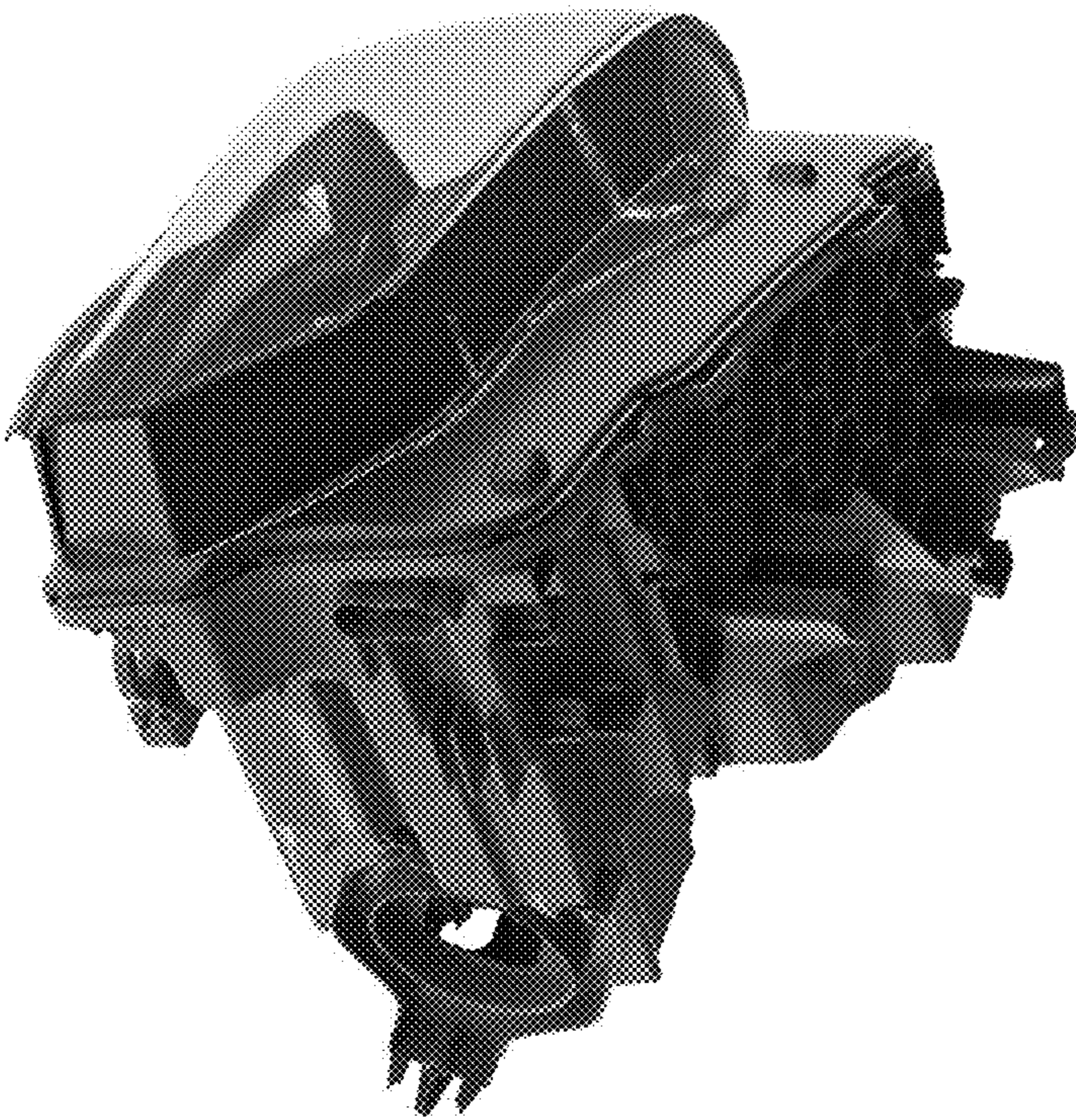


Fig. 3

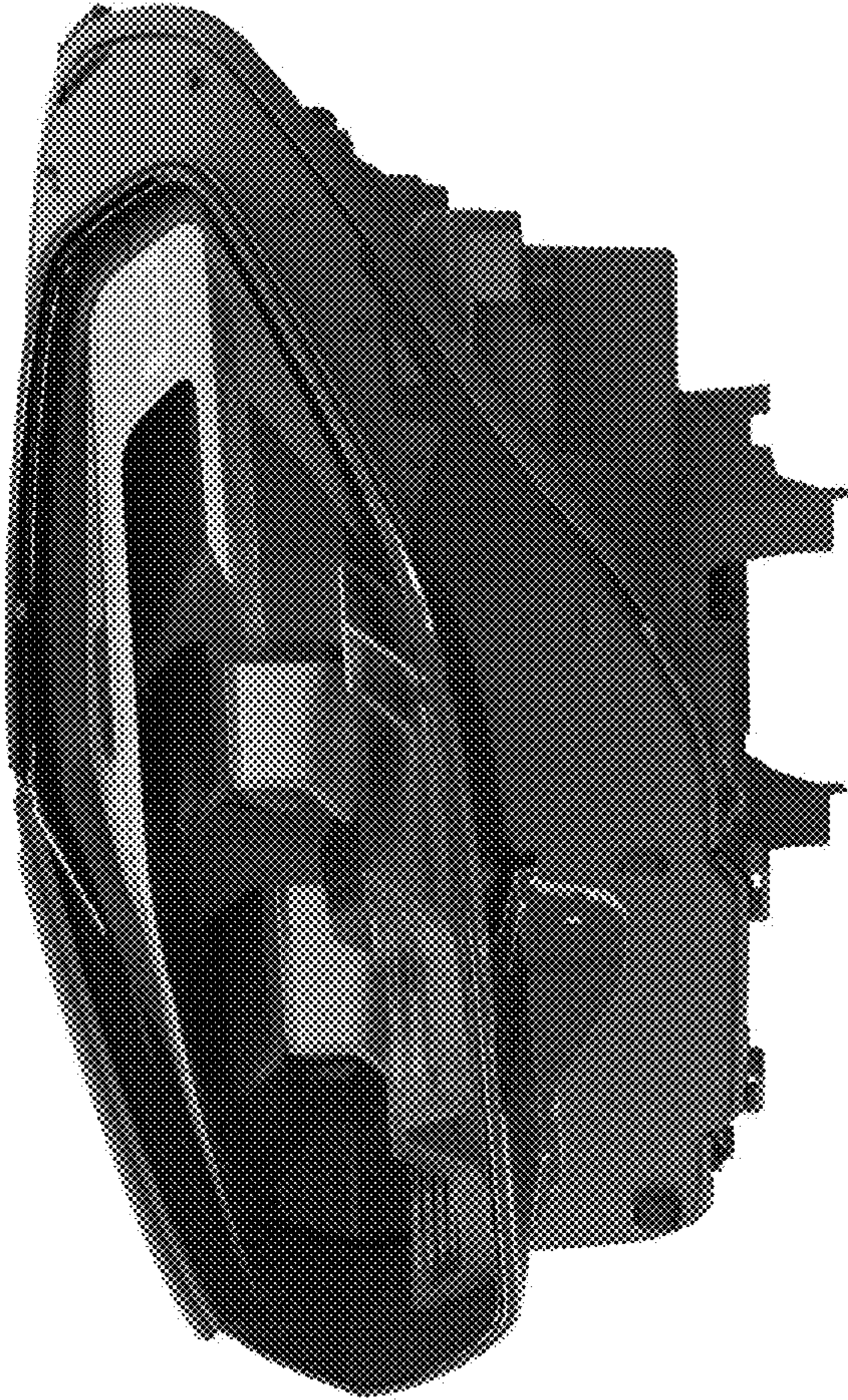


Fig. 4

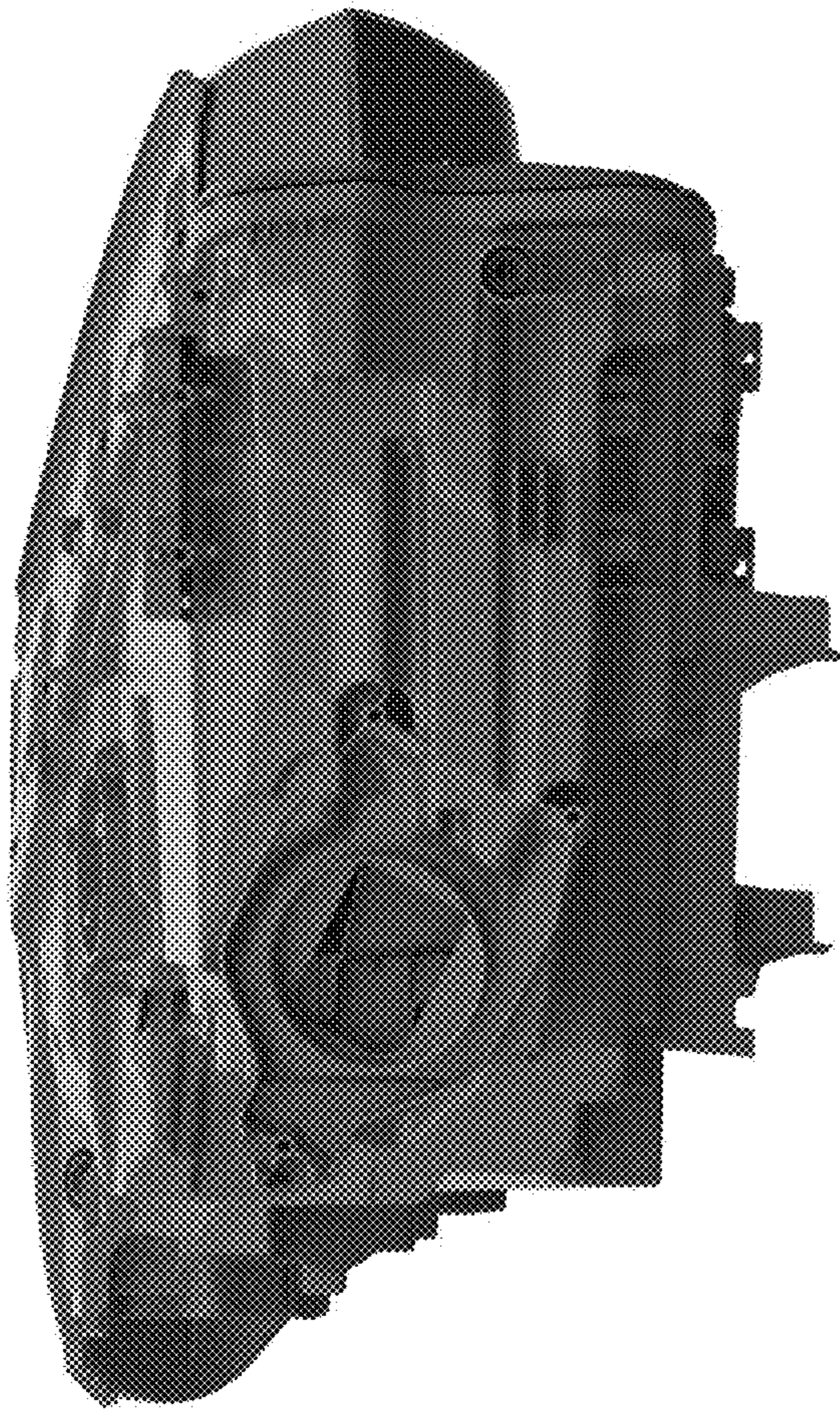


Fig. 5

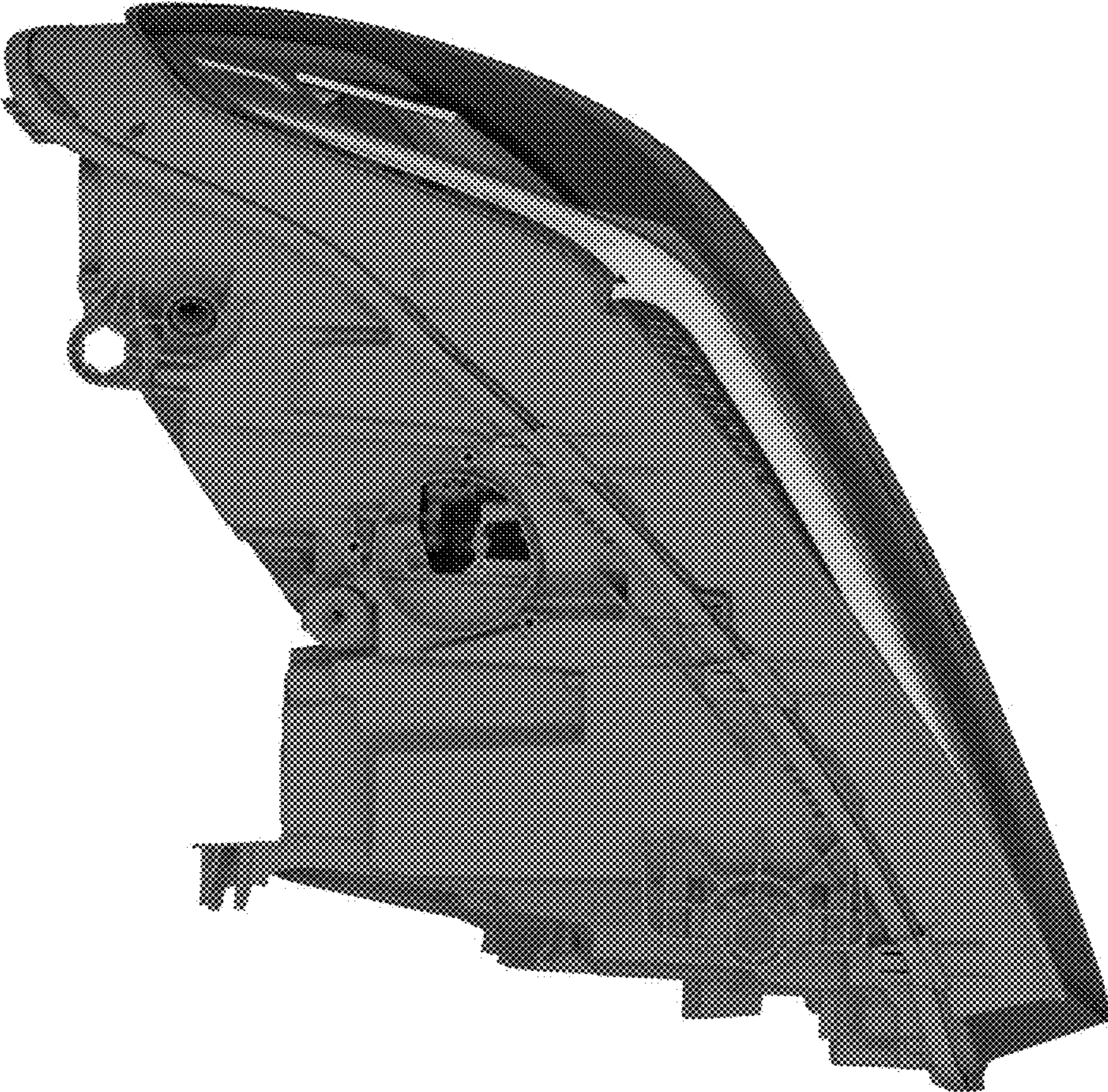


Fig. 6

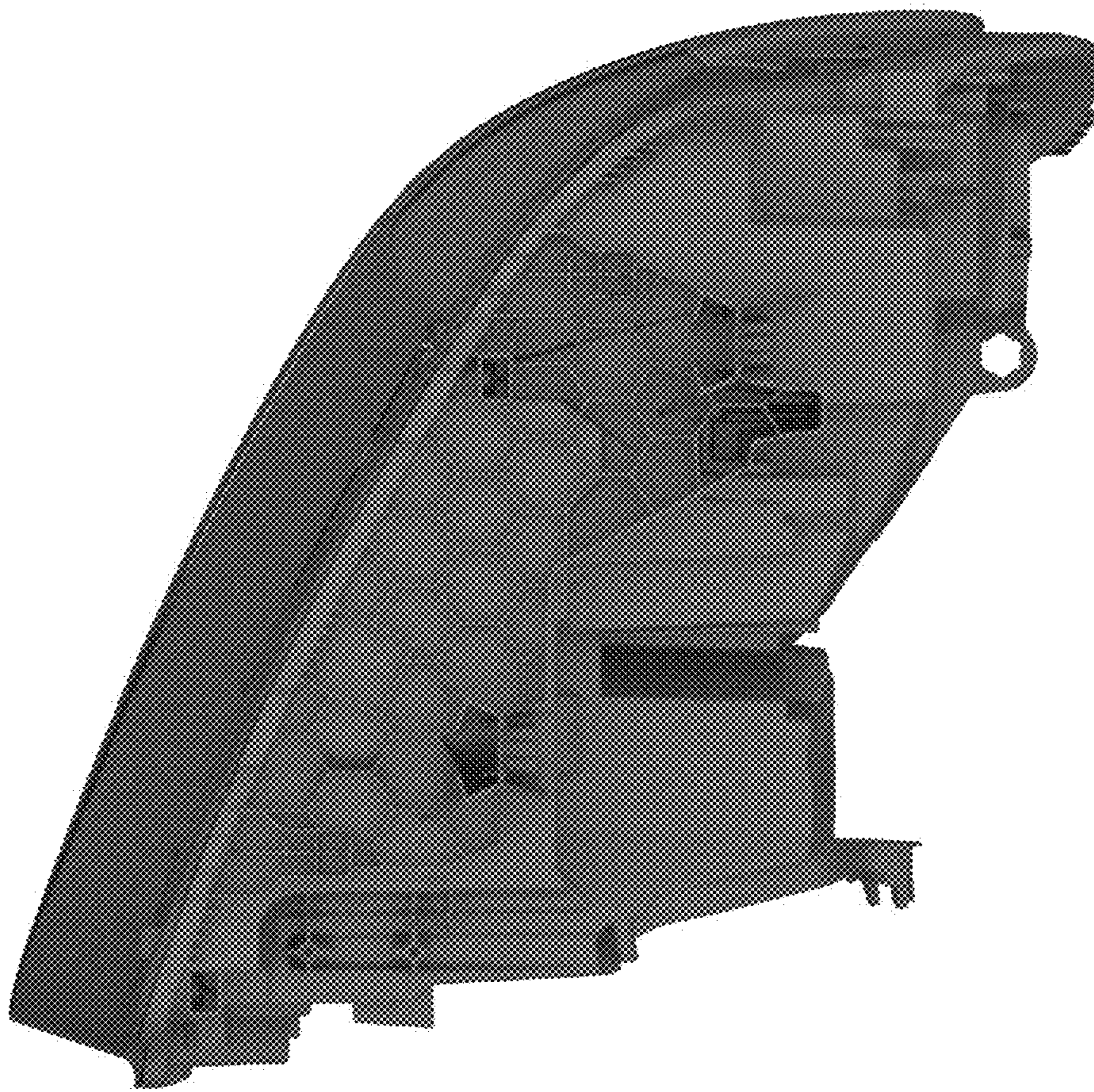


Fig. 7

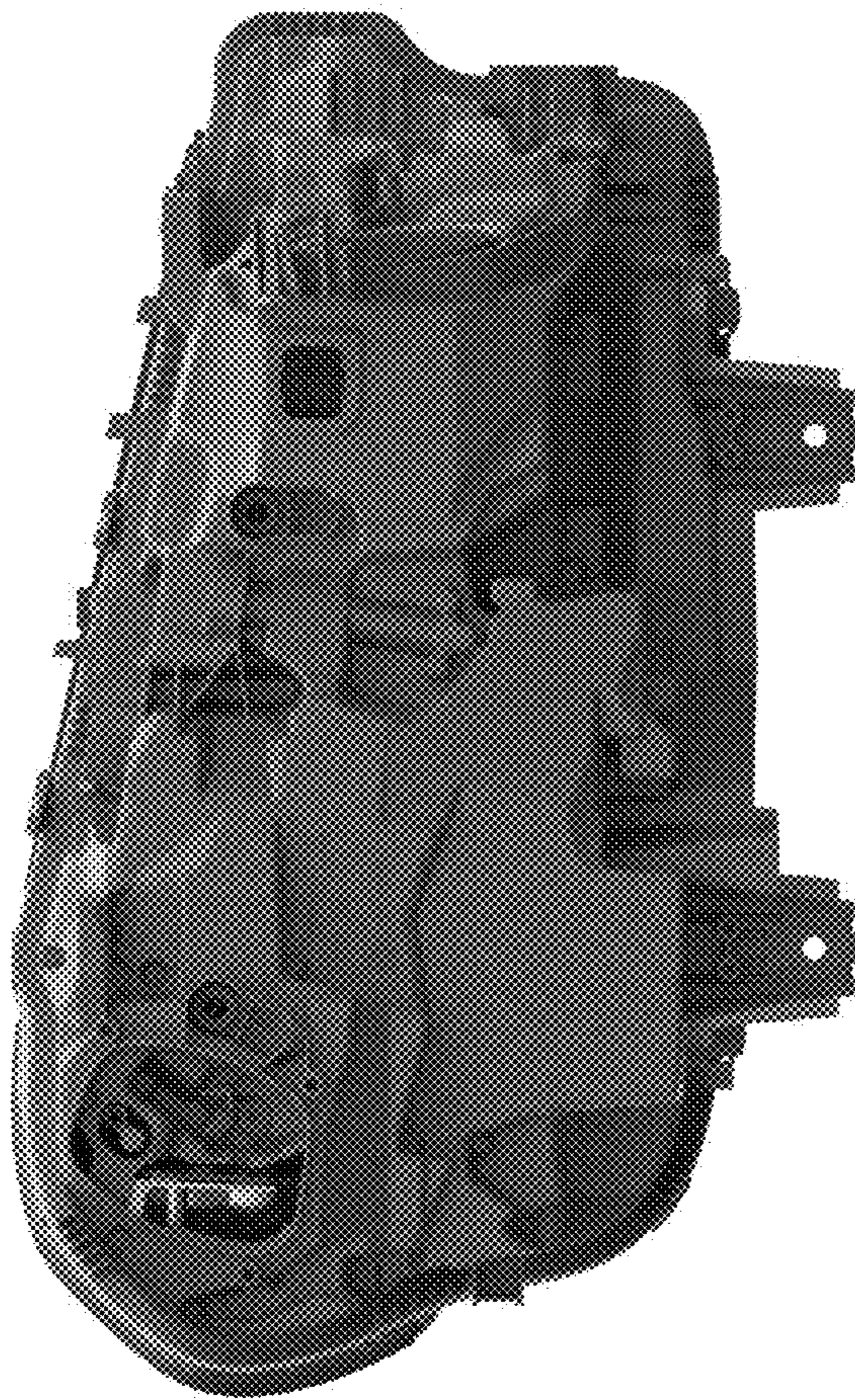


Fig. 8