



US00D981605S

(12) **United States Design Patent**
Chen

(10) **Patent No.:** **US D981,605 S**

(45) **Date of Patent:** **** Mar. 21, 2023**

(54) **LIGHT KIT SET**

(71) Applicant: **Weihong Chen**, Linhai (CN)

(72) Inventor: **Weihong Chen**, Linhai (CN)

(**) Term: **15 Years**

(21) Appl. No.: **29/847,869**

(22) Filed: **Jul. 28, 2022**

(51) **LOC (14) Cl.** **26-04**

(52) **U.S. Cl.**
USPC **D26/25**

(58) **Field of Classification Search**
USPC D26/1, 24, 25, 27, 61, 113
(Continued)

(56) **References Cited**

U.S. PATENT DOCUMENTS

5,359,502 A * 10/1994 Cantin A47G 33/06
362/123
D406,667 S * 3/1999 Byers D26/25
(Continued)

FOREIGN PATENT DOCUMENTS

EM 009101009-0001 * 8/2022

OTHER PUBLICATIONS

Amazon, "Homeleo Warm White 50 Led Star Fairy Lights", first available Sep. 28, 2017. (<https://www.amazon.com/Homeleo-Twinkle-Control-Battery-Five-Pointed/dp/B0761RFKWG/?th=1>) (Year: 2017).*
(Continued)

Primary Examiner — Lauren D McVey

Assistant Examiner — Justin A Johnson

(74) *Attorney, Agent, or Firm* — Daniel M. Cohn;
Howard M. Cohn

(57) **CLAIM**

The ornamental design for a light kit set, as shown and described.

DESCRIPTION

FIG. 1 is a perspective view of a light kit set showing the first and third components in an assembled state, and the second component omitted in order to show aspects of the design not otherwise apparent;

FIG. 2 is another perspective view thereof;

FIG. 3 is a front elevational view thereof;

FIG. 4 is a rear elevational view thereof;

FIG. 5 is a left side elevational view thereof;

FIG. 6 is a right side elevational view thereof;

FIG. 7 is a top plan view thereof;

FIG. 8 is a bottom plan view thereof;

FIG. 9 is an exploded perspective view thereof;

FIG. 10 is an enlarged view of portion 10 shown in FIG. 1;

FIG. 11 is an enlarged view of portion 11 shown in FIG. 2;

FIG. 12 is a perspective view of a light kit set showing the second and third components in an assembled state, and the first component omitted in order to show aspects of the design not otherwise apparent;

FIG. 13 is another perspective view thereof;

FIG. 14 is a front elevational view thereof;

FIG. 15 is a rear elevational view thereof;

FIG. 16 is a left side elevational view thereof;

FIG. 17 is a right side elevational view thereof;

FIG. 18 is a top plan view thereof;

FIG. 19 is a bottom plan view thereof;

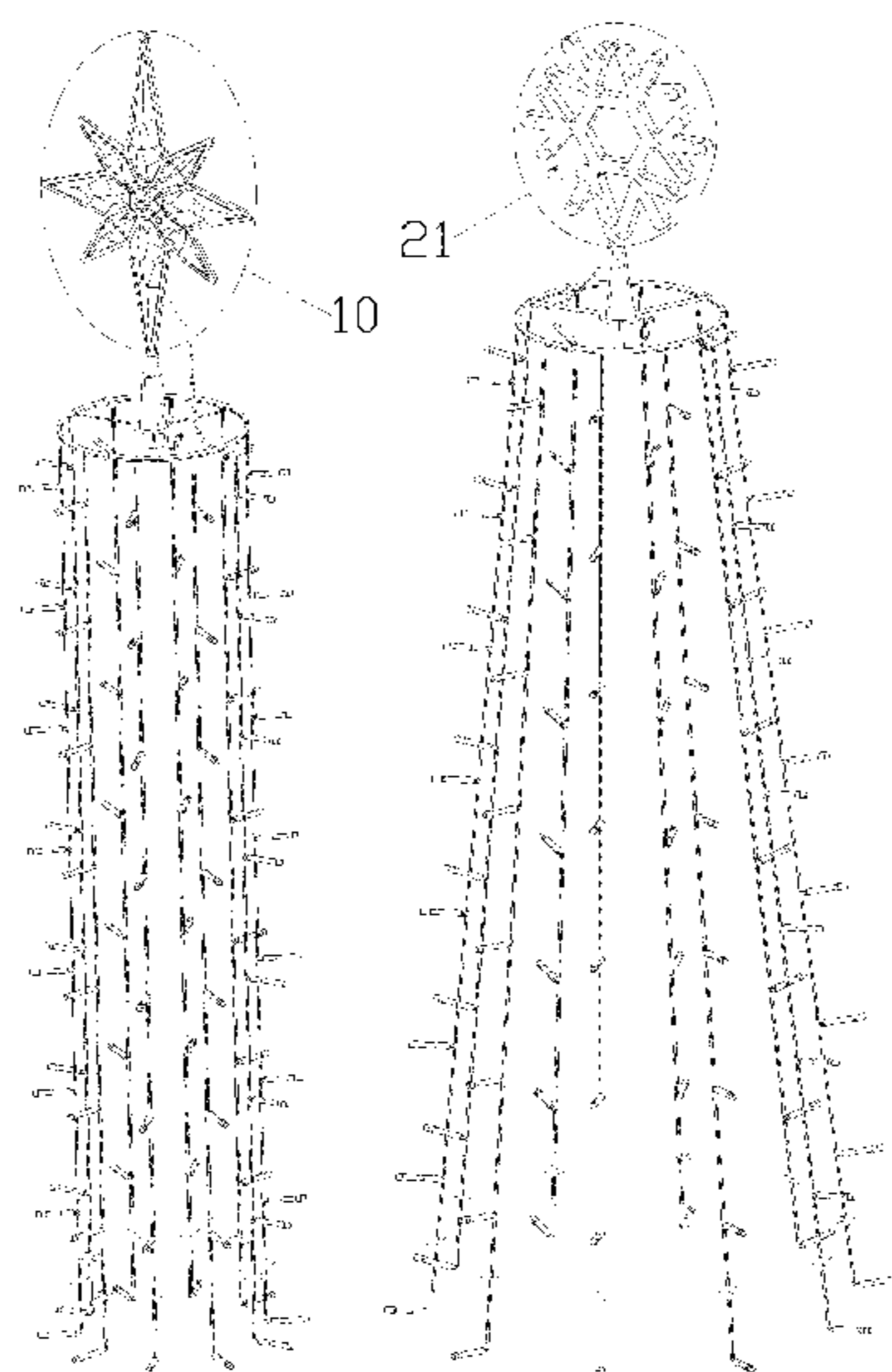
FIG. 20 is an exploded perspective view thereof;

FIG. 21 is an enlarged view of portion 21 shown in FIG. 12; and,

FIG. 22 is an enlarged view of portion 22 shown in FIG. 13.

The dash-dash broken lines in the drawings depict portions of the light kit set that form no part of the claimed design. The dot-dash broken lines represent boundaries of the enlarged portions and form no part of the claimed design. The light kit set is shown with symbolic breaks in its length and the appearance of any portion of the light kit set between the break lines form no part of the claimed design.

1 Claim, 22 Drawing Sheets



(58) **Field of Classification Search**

CPC F21L 2/00; F21L 4/00; F21L 4/02; F21L 4/025; F21L 4/027; F21L 14/00; F21S 2/00; F21S 8/026; F21S 8/03; F21S 8/033; F21S 8/035; F21S 6/002; F21S 6/004; F21S 8/036; F21S 8/037; F21S 9/00; F21S 9/02; F21V 21/10; F21V 21/108; F21W 2121/008; H01K 7/00; H01K 7/02; A01G 7/045

See application file for complete search history.

D960,401 S * 8/2022 Lin D26/25
 D960,403 S * 8/2022 Wei A47G 33/06
 D26/25
 D962,495 S * 8/2022 Yu D26/25
 D963,904 S * 9/2022 Zhou D26/25
 D963,905 S * 9/2022 Tao A47G 33/06
 D26/25
 2014/0272202 A1* 9/2014 Tsai A47G 33/06
 428/8

(56)

References Cited

U.S. PATENT DOCUMENTS

D415,583 S * 10/1999 Byers D26/25
 D748,299 S * 1/2016 Tunno D26/25
 D858,833 S 9/2019 Cooper
 D861,955 S 10/2019 Richardson et al.
 D925,077 S * 7/2021 Yang D26/25
 D935,648 S * 11/2021 Shi D26/25
 D944,159 S 2/2022 Ye
 D952,199 S * 5/2022 Xu D26/25
 D952,761 S 5/2022 Wang

OTHER PUBLICATIONS

Amazon, "ZTX Christmas Decorations Outdoor Star Lights", first available Aug. 27, 2021. (<https://www.amazon.ca/ZTX-Christmas-Decorations-Waterfall-Halloween/dp/B09699HYZH/?th=1>) (Year: 2021).*

Amazon, "Puhong Color Changing Christmas Lights", first available Oct. 26, 2021. (<https://www.amazon.ca/PUHONG-Christmas-Decoration-Waterproof-Multicolor/dp/B09G6JPSZ8/>) (Year: 2021).*

Amazon, "QuList Christmas Decoration Dipper Star String Lights", first available Jun. 28, 2021. (<https://www.amazon.com/dp/B0983BSZWJ/?th=1>) (Year: 2021).*

* cited by examiner

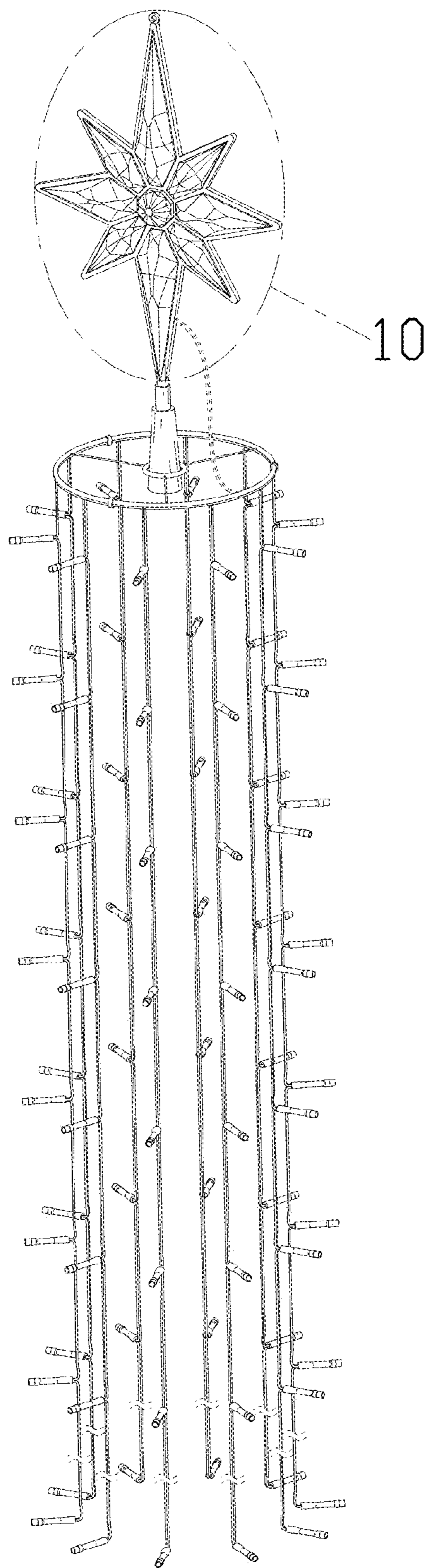


FIG. 1

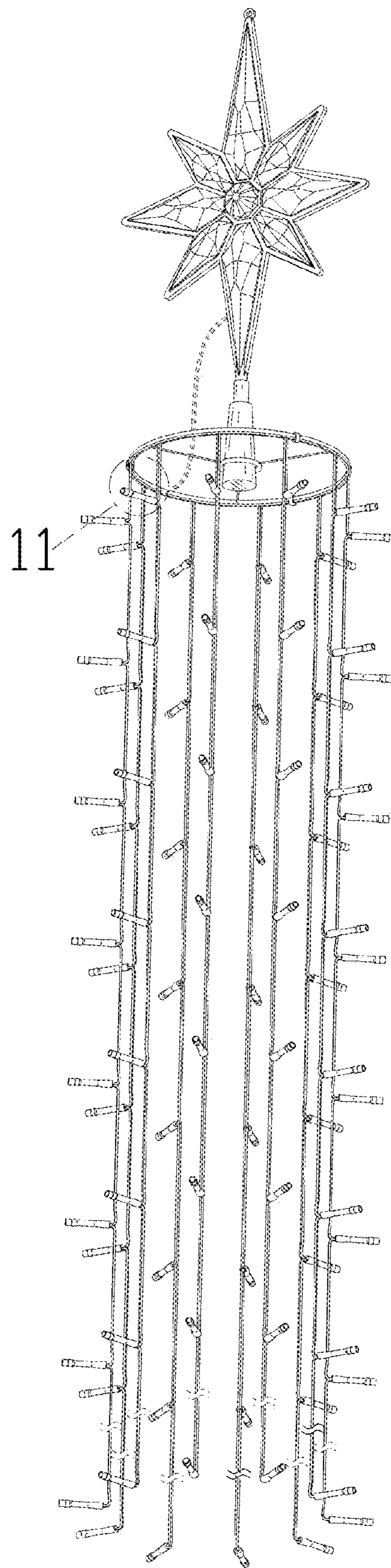


FIG. 2

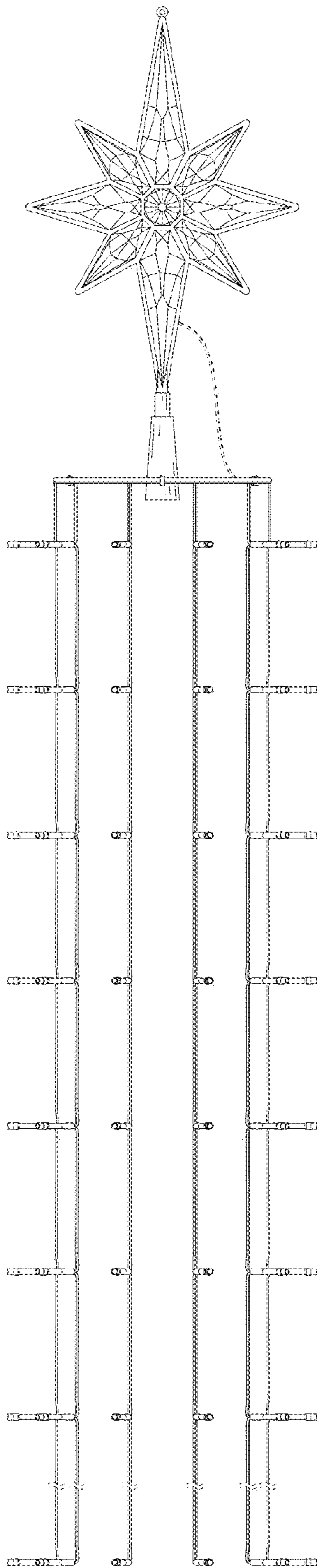


FIG. 3

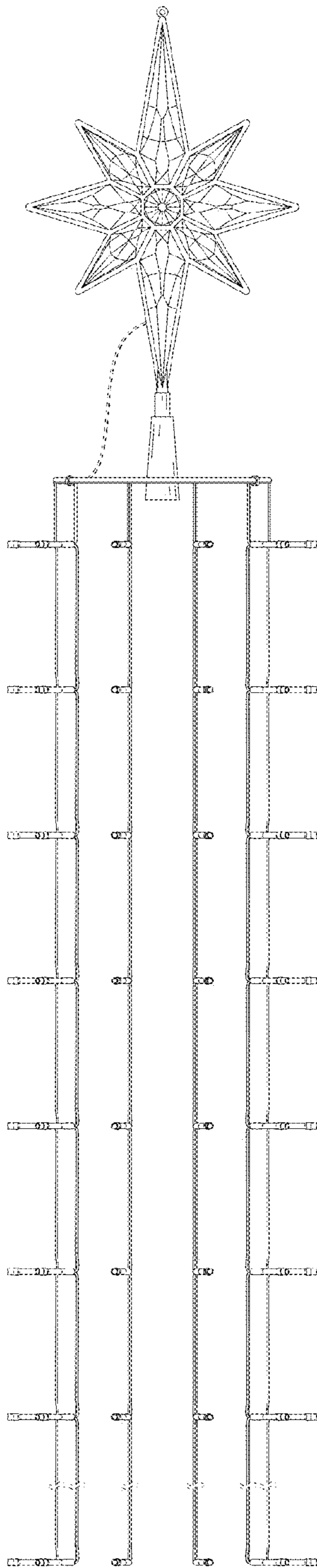


FIG. 4

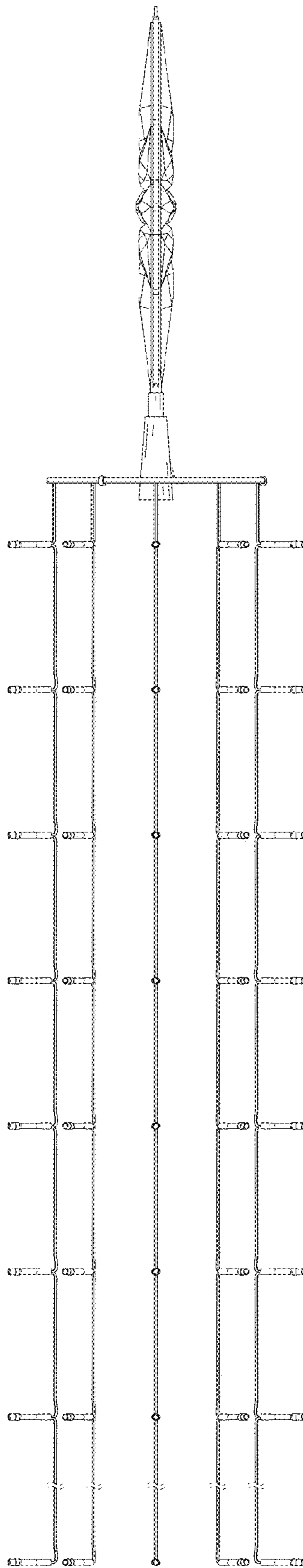


FIG. 5

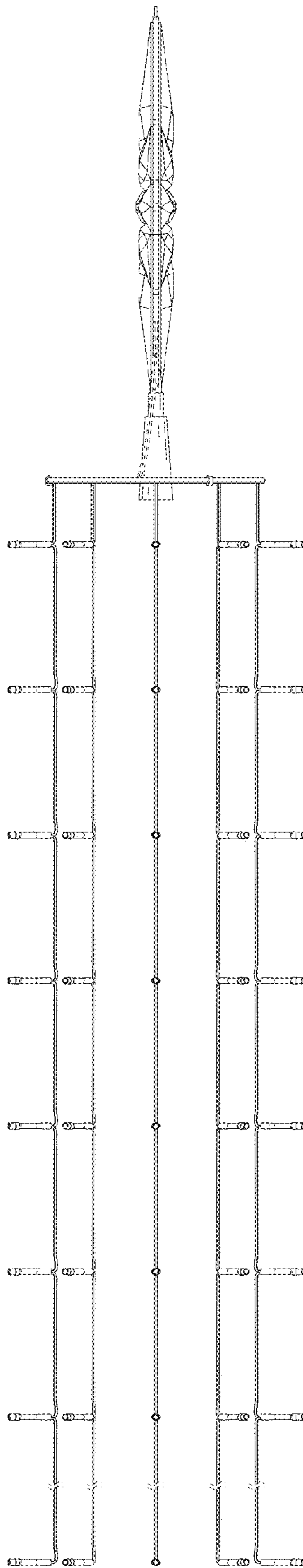


FIG. 6

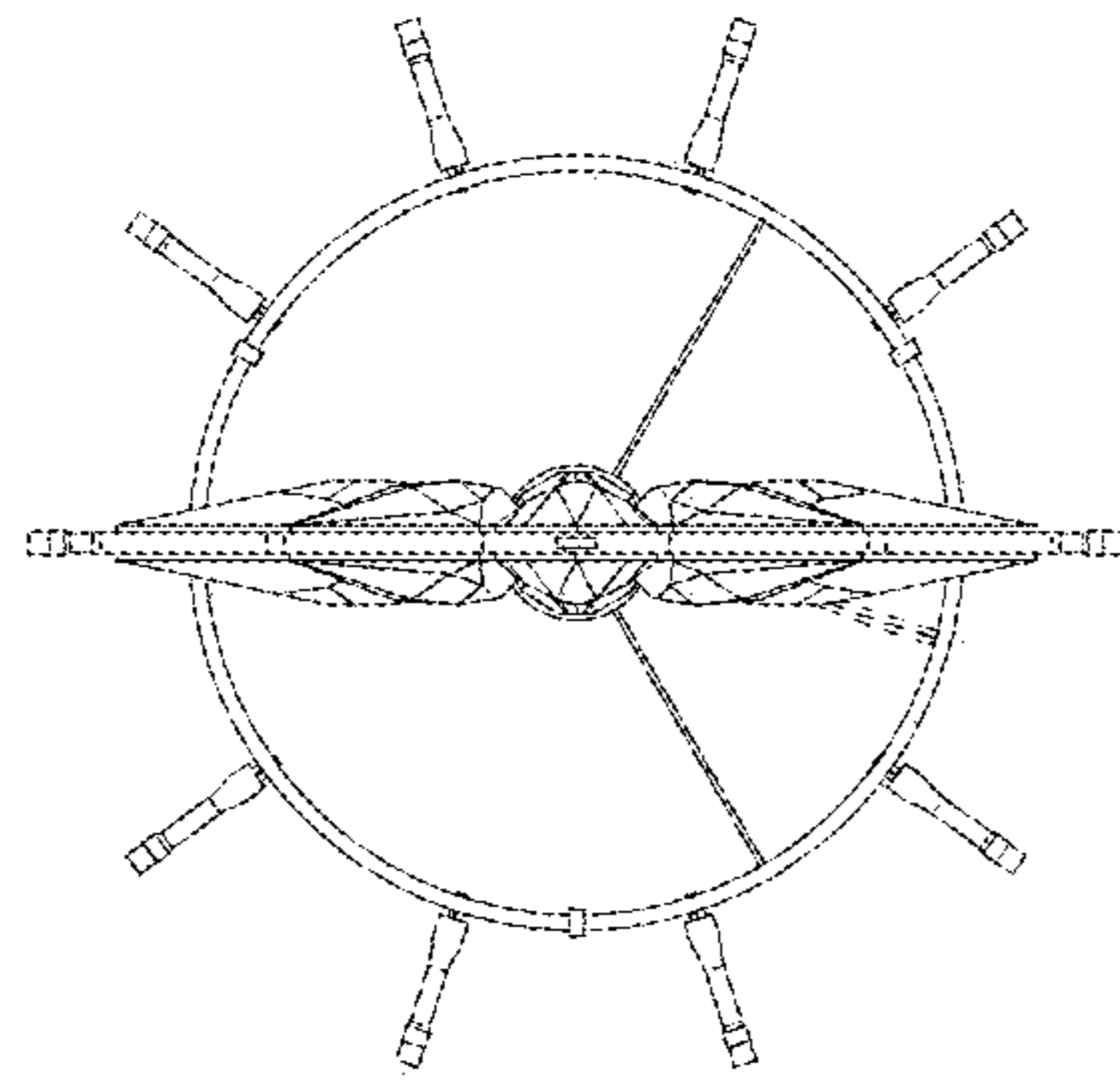


FIG. 7

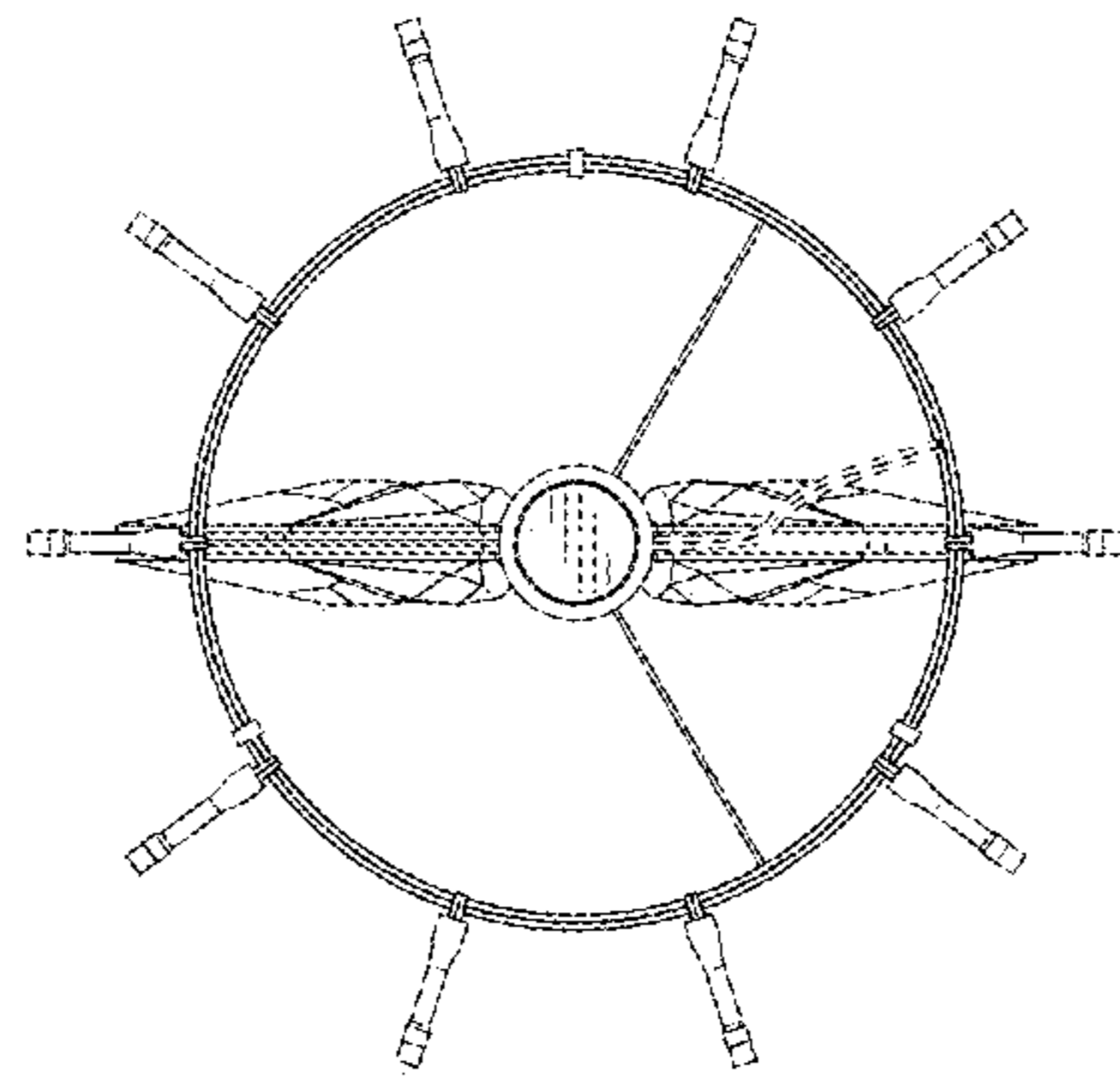


FIG. 8

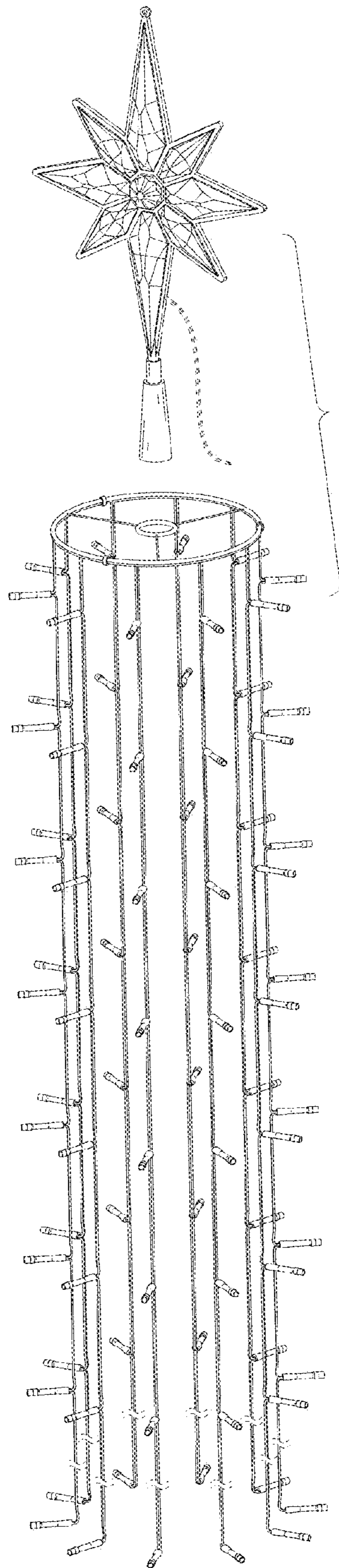


FIG. 9

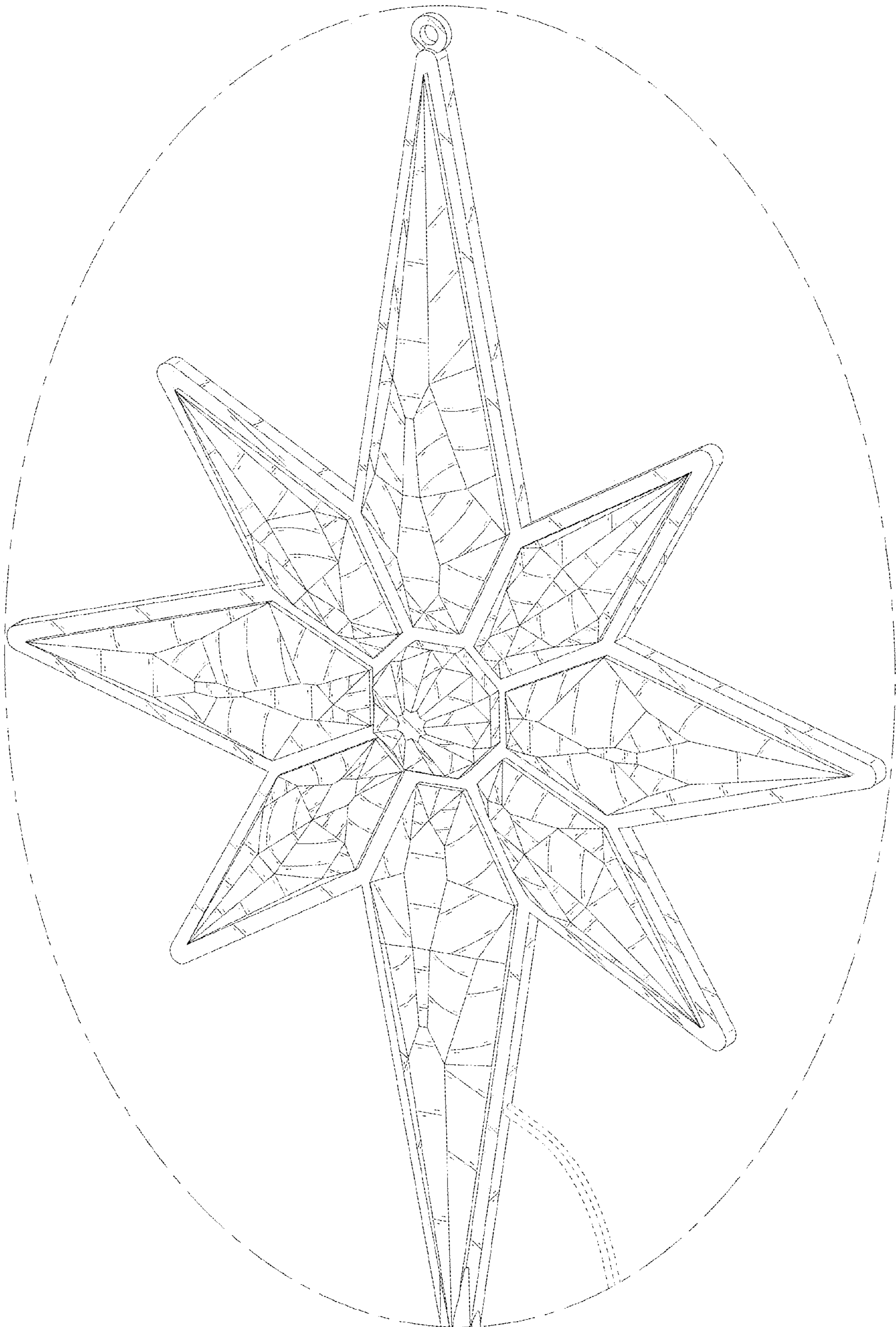


FIG. 10

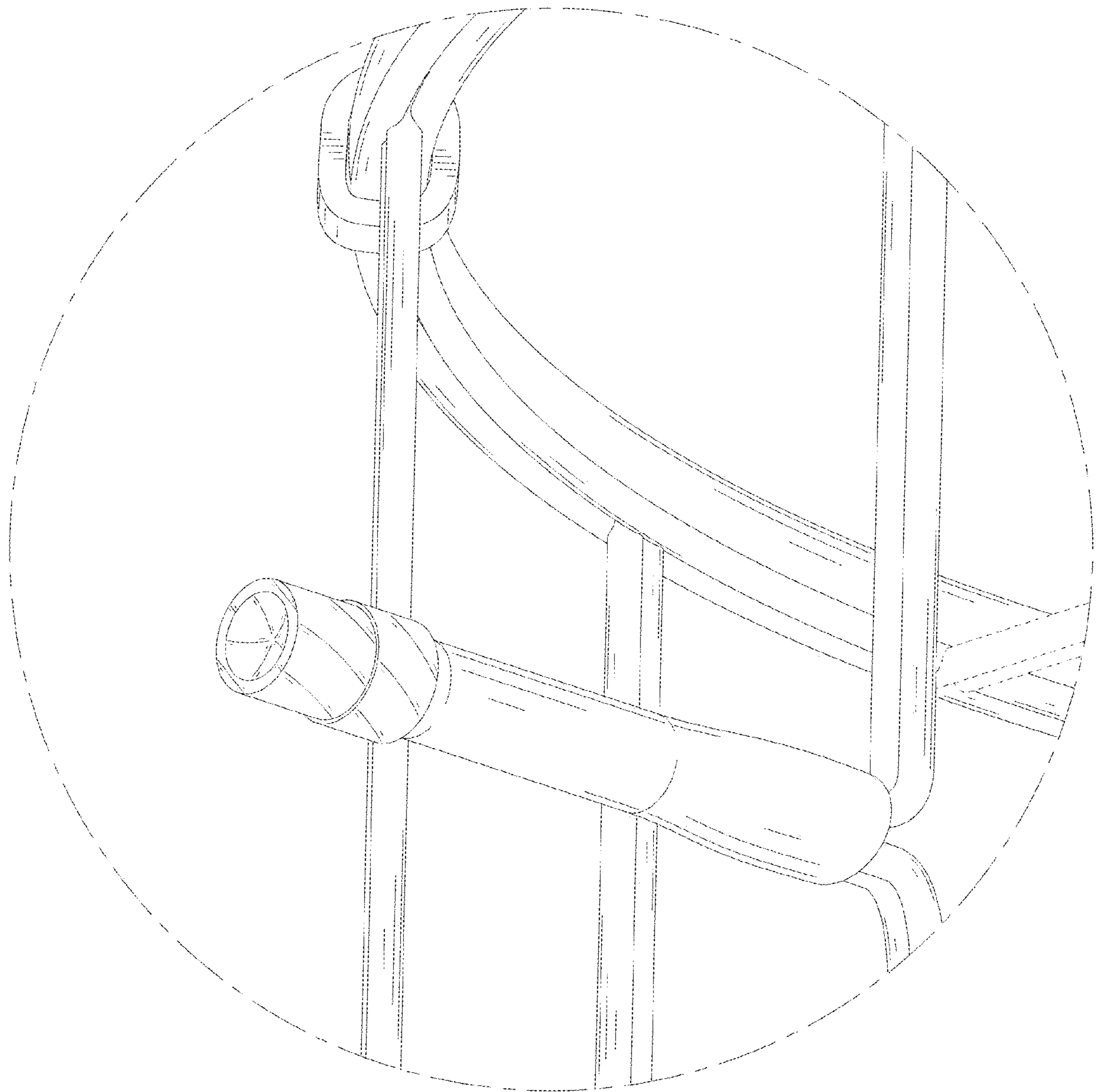


FIG. 11

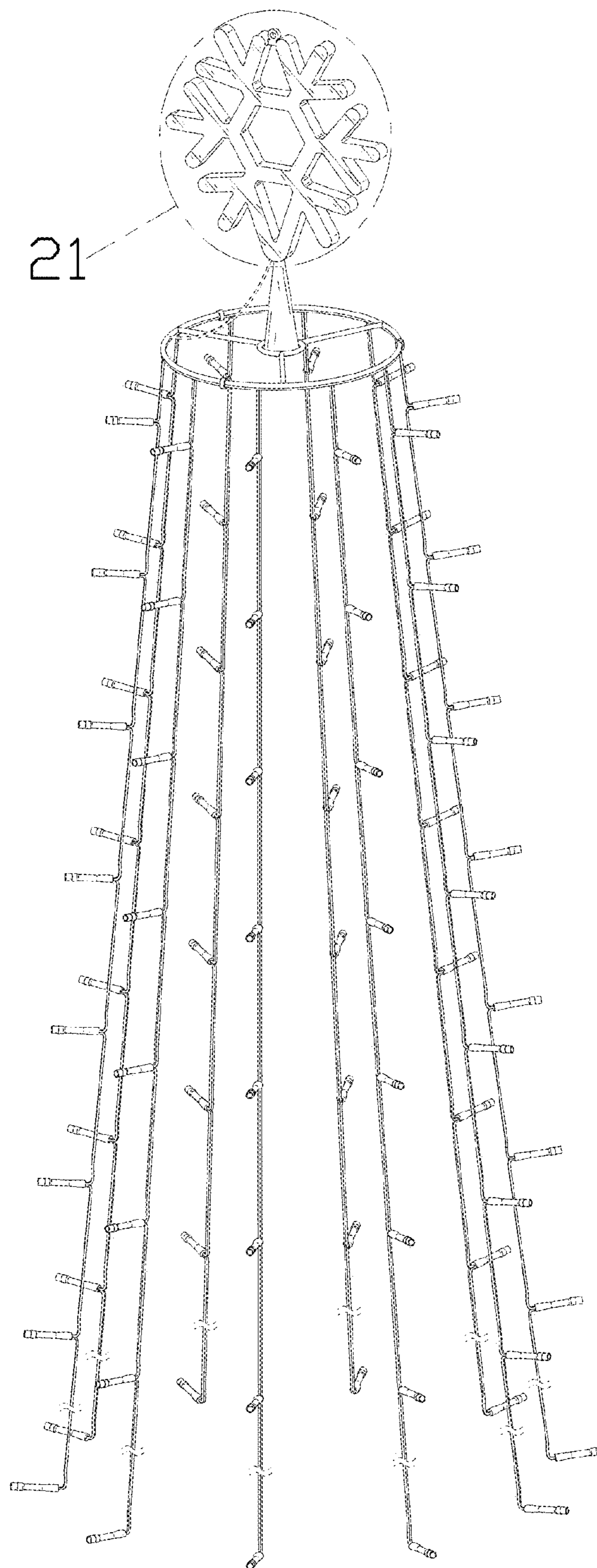


FIG. 12

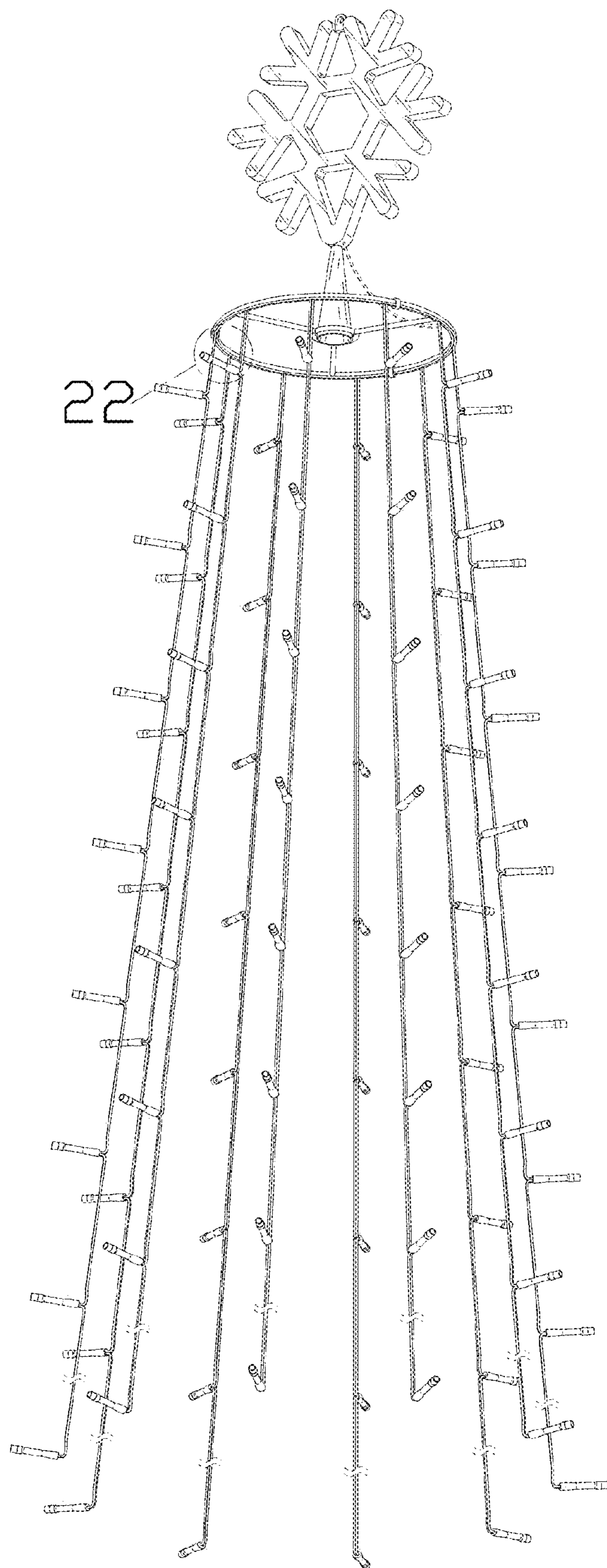


FIG. 13

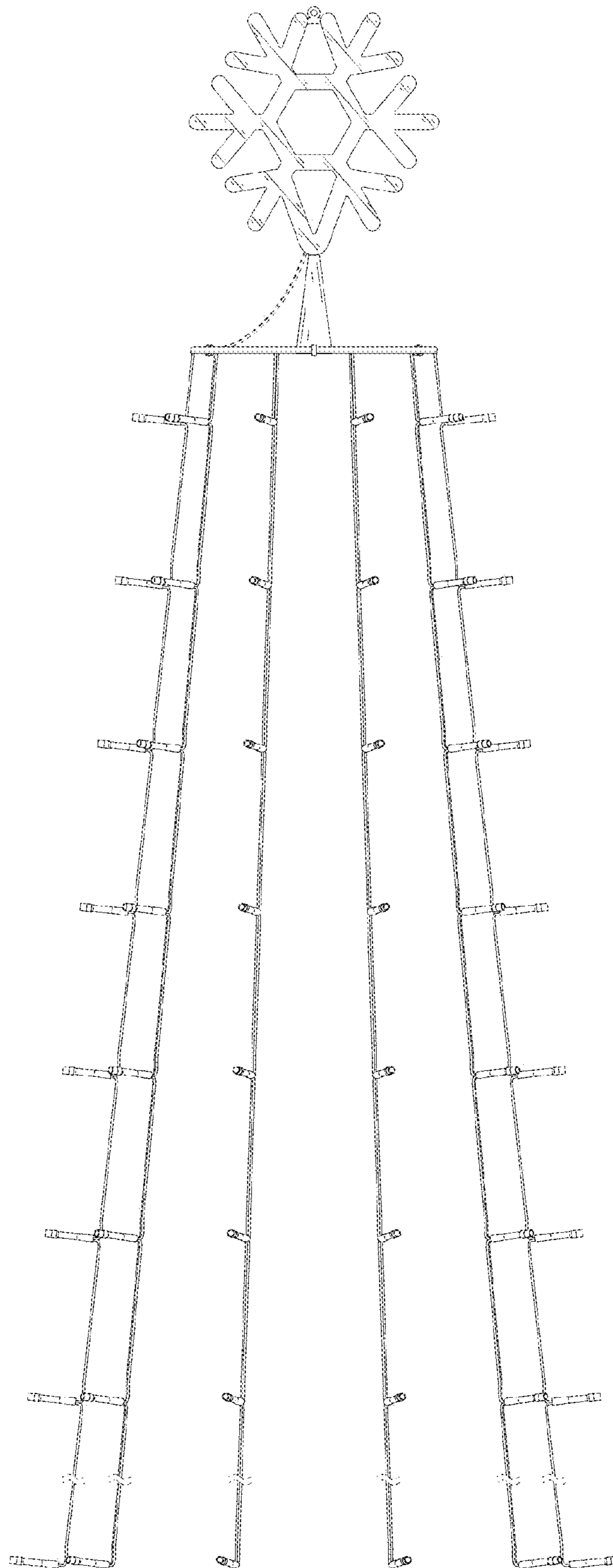


FIG. 14

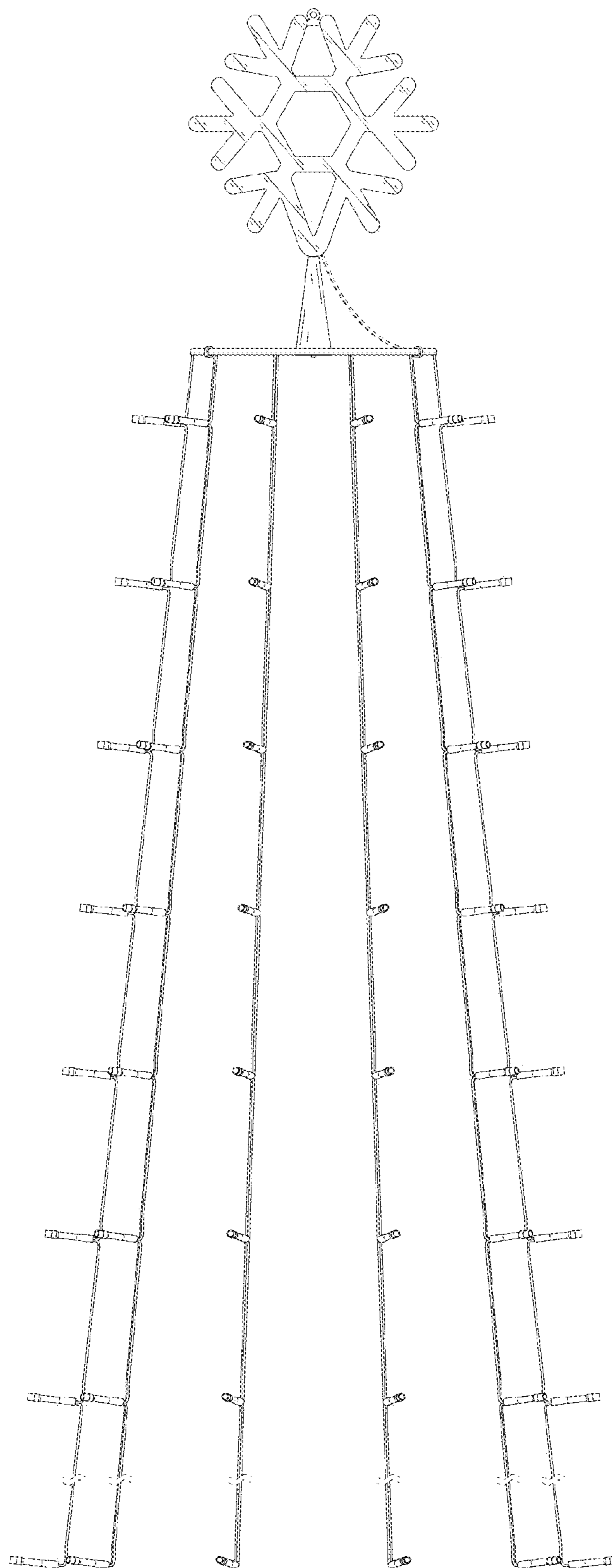


FIG. 15

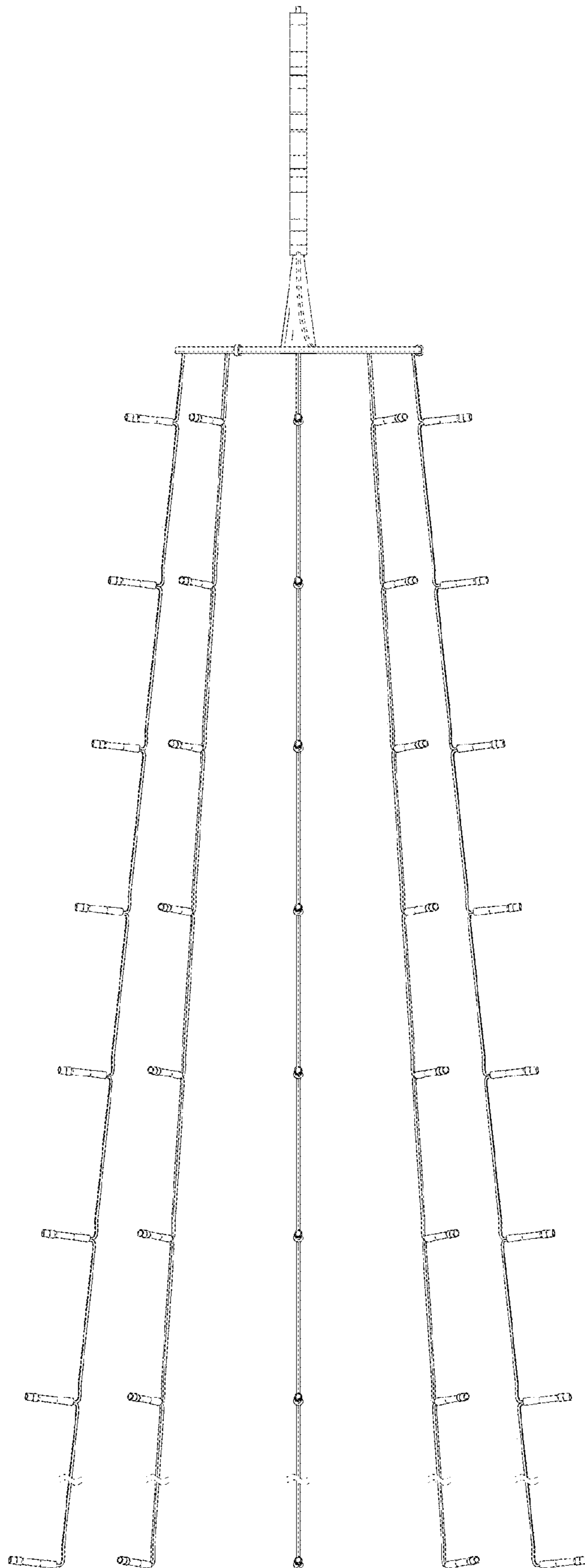


FIG. 16

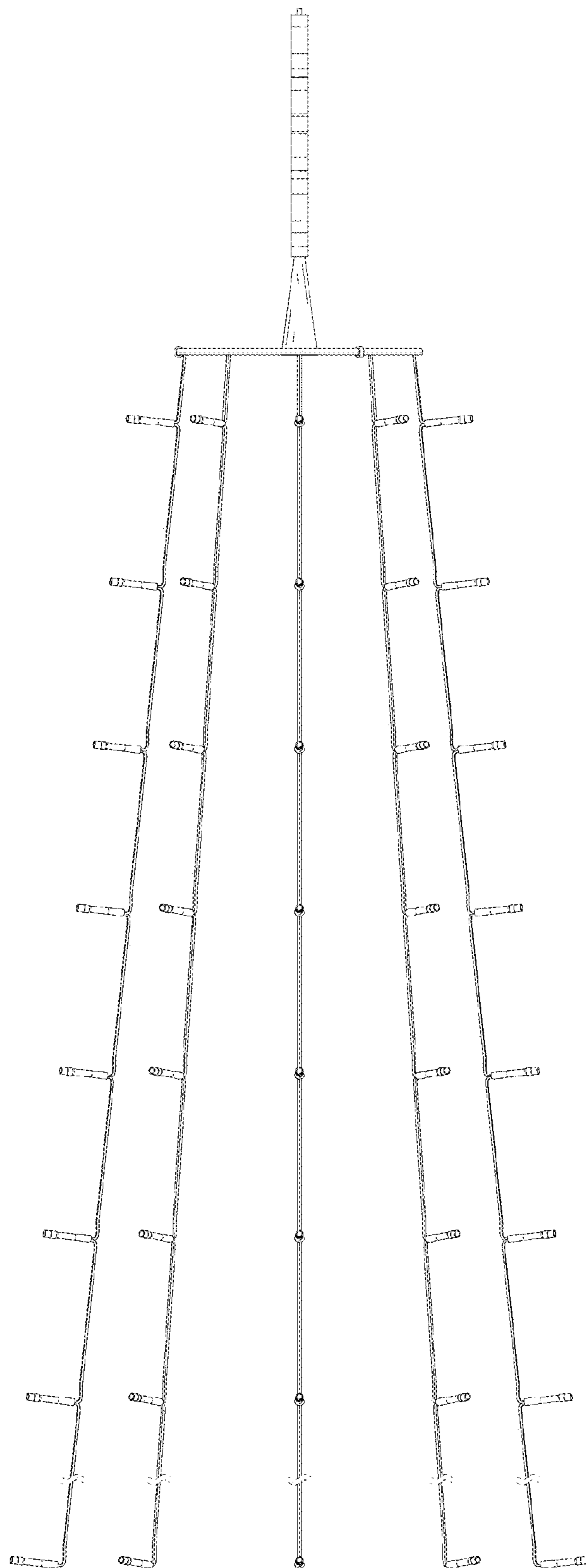


FIG. 17

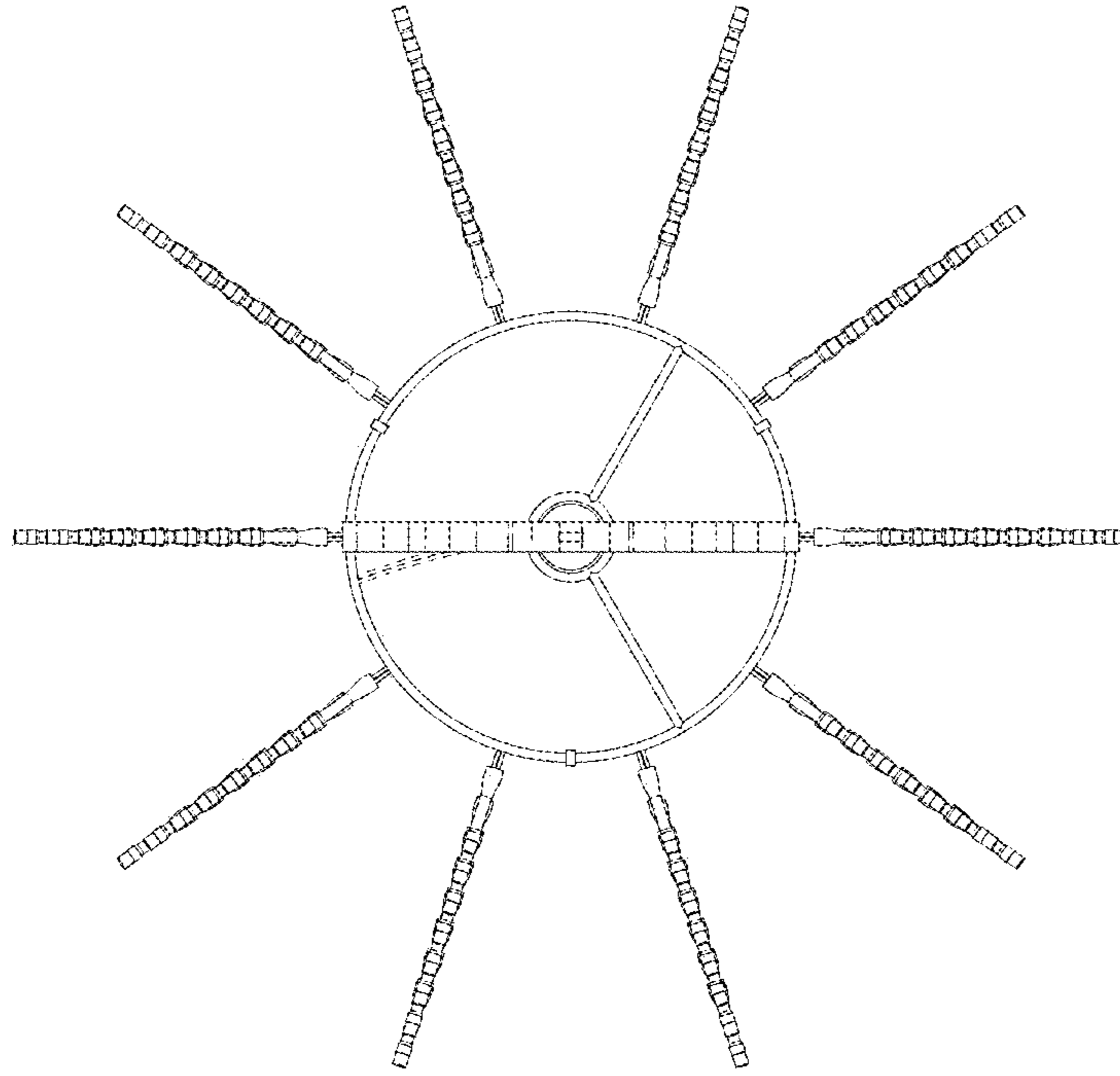


FIG. 18

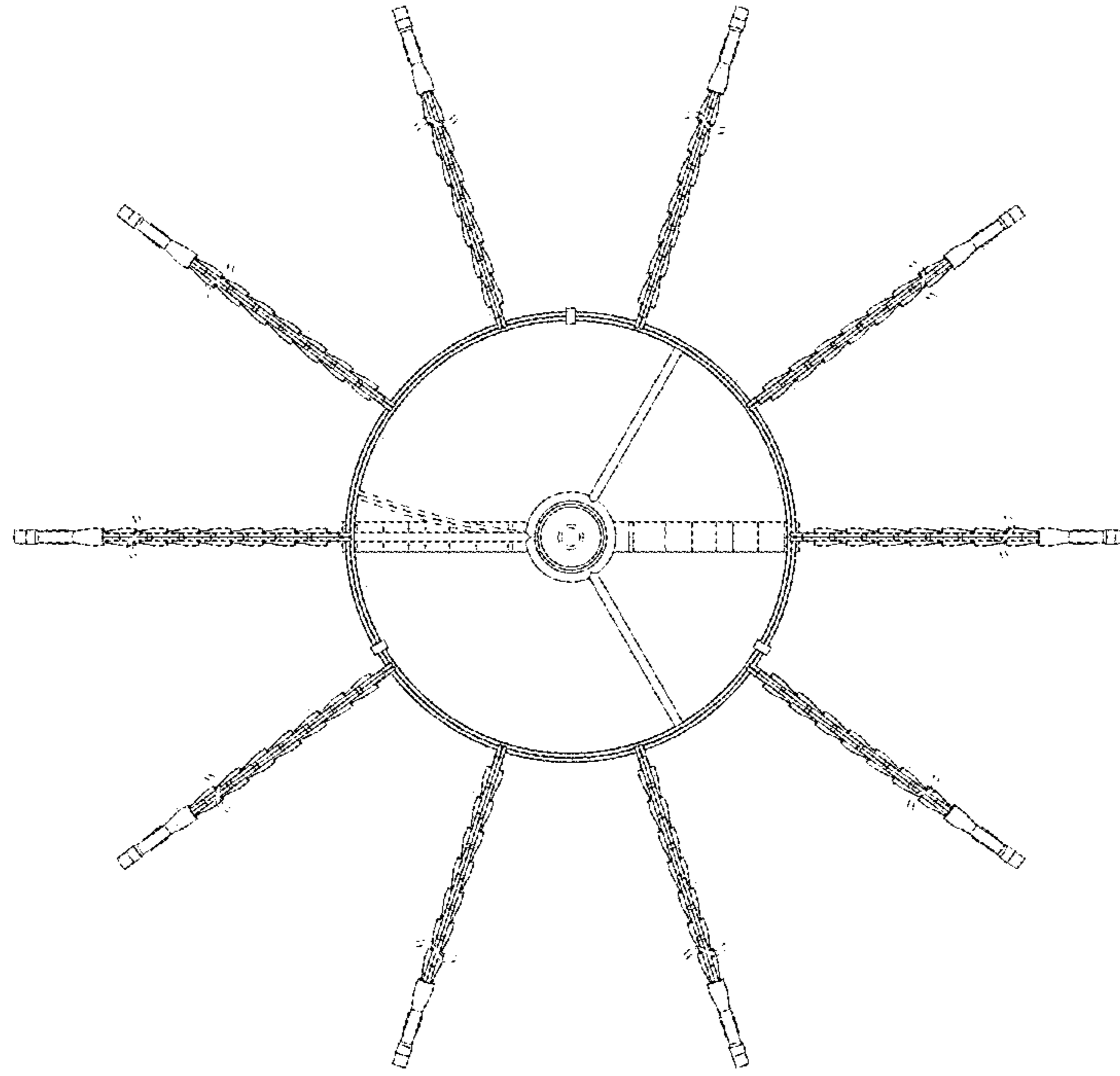


FIG. 19

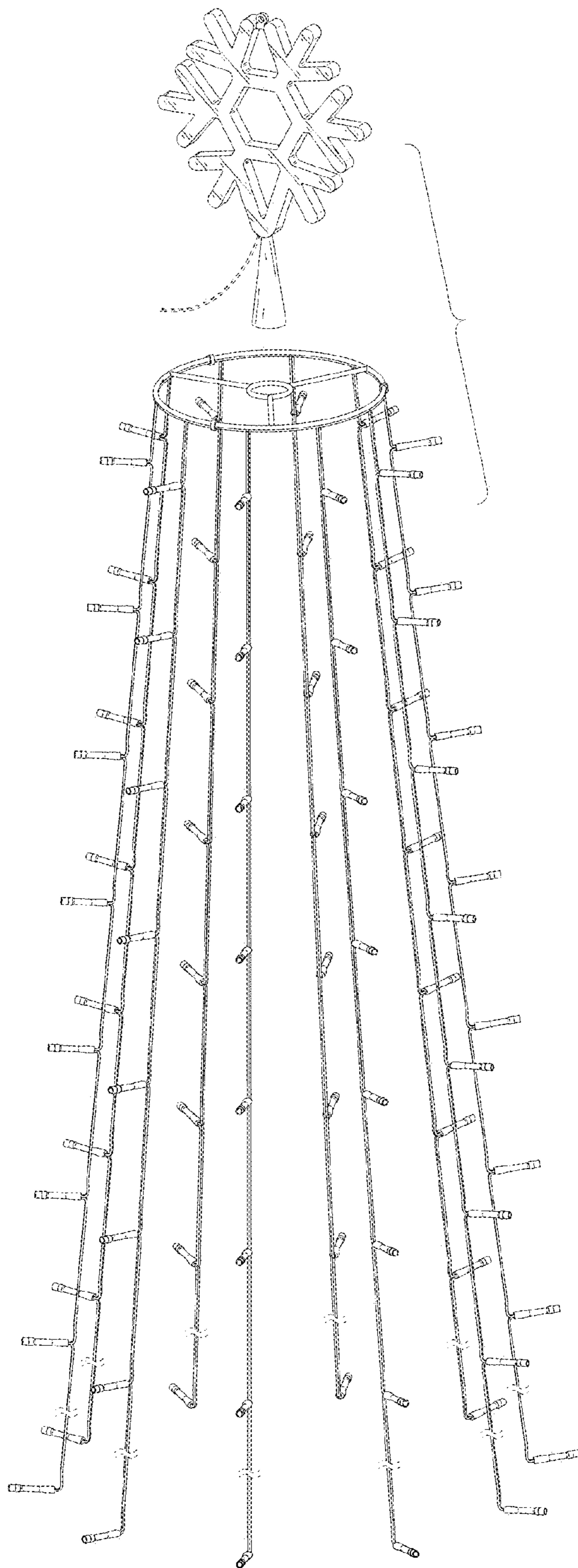


FIG. 20

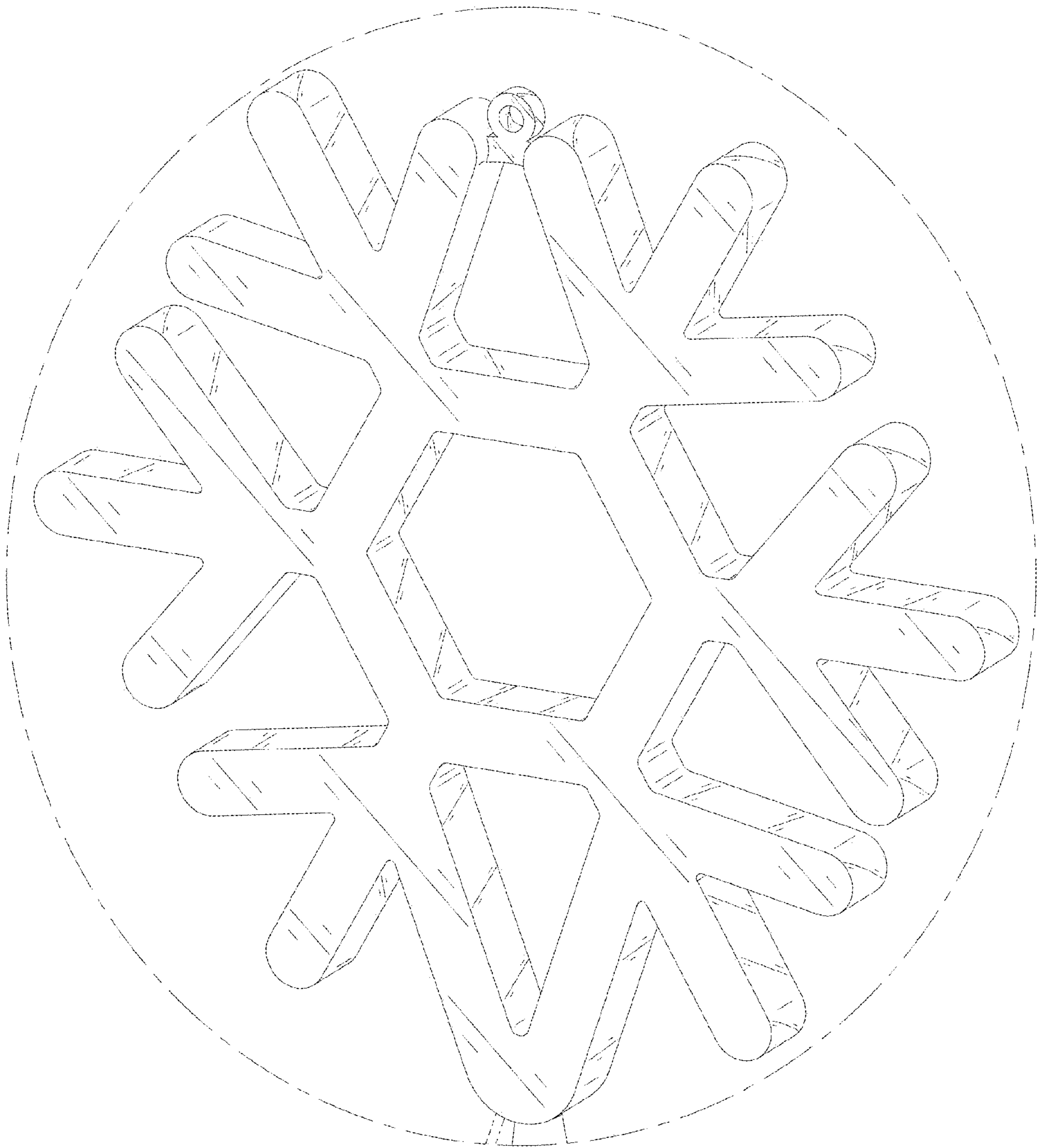


FIG. 21

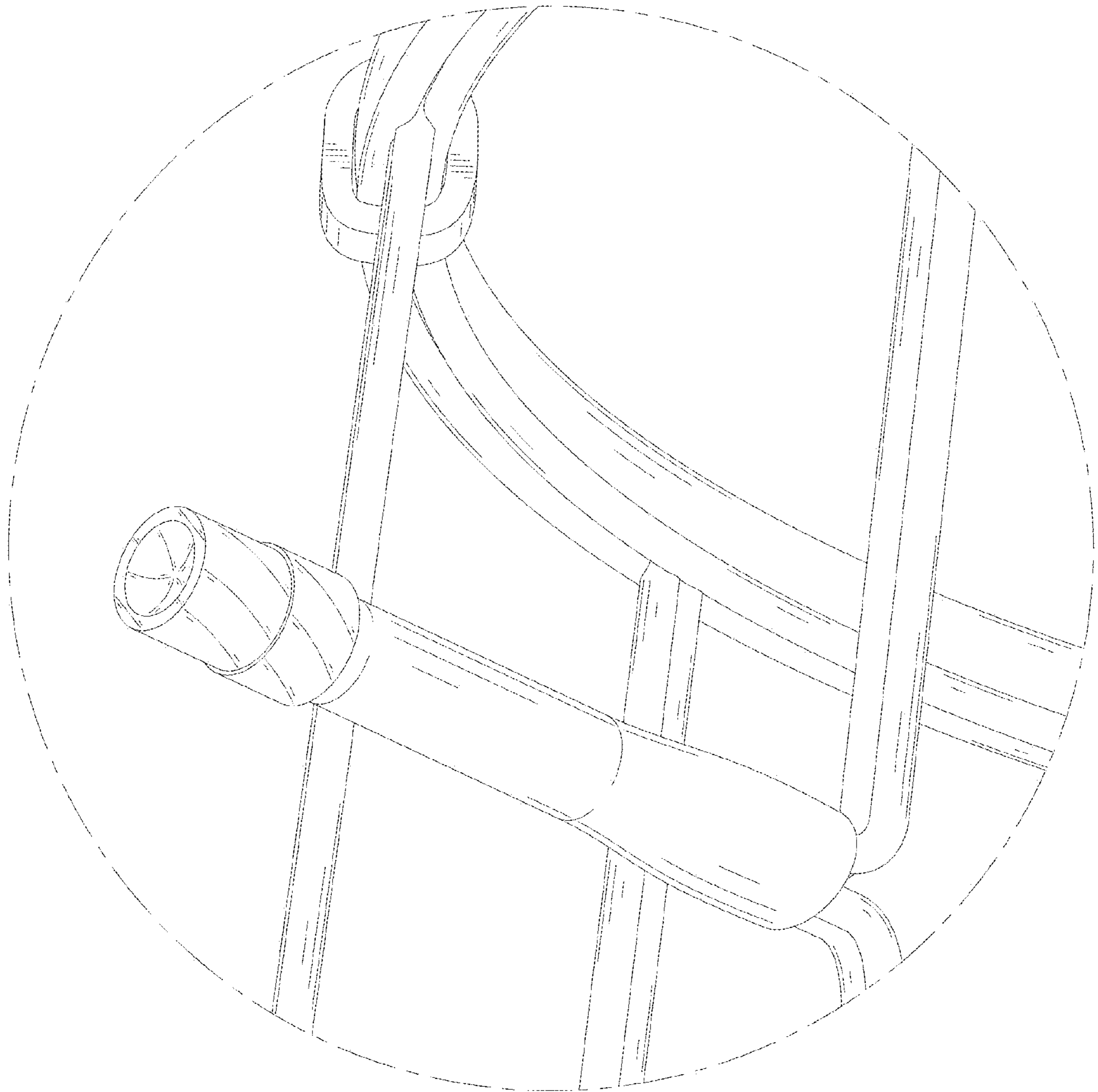


FIG. 22