



US00D981590S

(12) **United States Design Patent**
Zhang et al.

(10) **Patent No.:** **US D981,590 S**
(45) **Date of Patent:** **** Mar. 21, 2023**

(54) **REAGENT BOTTLE**
(71) Applicant: **Leica Microsystems Ltd., Shanghai, Shanghai (CN)**
(72) Inventors: **Jingtian Zhang, Shanghai (CN); Hongjian Tao, Shanghai (CN); Yuanyuan Wang, Shanghai (CN); Wenwen Zhang, Shanghai (CN)**

D380,553 S * 7/1997 Riekkinen D24/224
D407,826 S * 4/1999 Yamazaki D24/224
D587,955 S * 3/2009 Stamper D7/306
D606,413 S * 12/2009 Dammkoehler D9/570
D696,588 S * 12/2013 Maas D9/528
D706,645 S * 6/2014 Jennings D9/535
D732,393 S * 6/2015 Senus D9/528

(Continued)

(73) Assignee: **Leica Microsystems Ltd., Shanghai, Shanghai (CN)**
(**) Term: **15 Years**

FOREIGN PATENT DOCUMENTS
JP D2020-6787 * 11/2020
Primary Examiner — Omeed Agilee
(74) *Attorney, Agent, or Firm* — Hodgson Russ LLP

(21) Appl. No.: **29/759,771**
(22) Filed: **Nov. 25, 2020**

(57) **CLAIM**
The ornamental design for a reagent bottle, as shown and described.

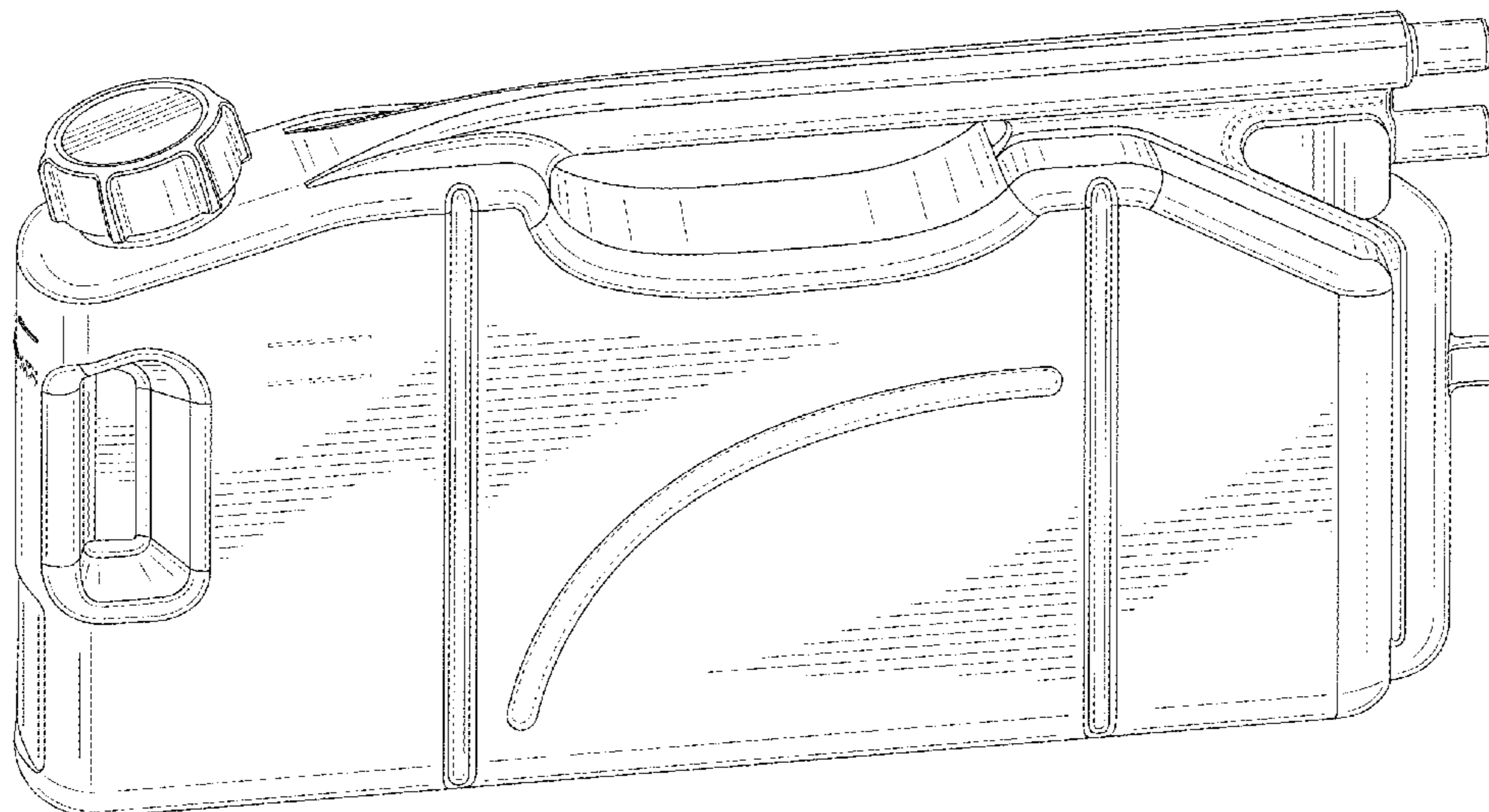
(30) **Foreign Application Priority Data**
May 29, 2020 (CN) 202030260462.3
(51) **LOC (14) Cl.** **24-02**
(52) **U.S. Cl.**
USPC **D24/224**
(58) **Field of Classification Search**
USPC D24/107, 121, 131, 169, 216, 224, 231, 224/232; D7/300, 300.1, 316, 317, 598; D23/211, 225; D9/522-524, 528-531, D9/558-560, 563, 565-566, 571-575, D9/682, 686, 687, 693-694, 719
CPC B01L 3/523; B65D 1/02; B65D 1/0223; B65D 1/023; B65D 1/40; B65D 23/00; B65D 23/10
See application file for complete search history.

DESCRIPTION

FIG. 1 is a front elevation view of a reagent bottle with the cap on showing our new design;
FIG. 2 is a rear elevation view thereof;
FIG. 3 is a left side elevation view thereof;
FIG. 4 is a right side elevation view thereof;
FIG. 5 is a top plan view thereof;
FIG. 6 is a bottom plan view thereof;
FIG. 7 is a first perspective view thereof;
FIG. 8 is a second perspective view thereof;
FIG. 9 is a front elevation view of the reagent bottle with the cap removed;
FIG. 10 is a rear elevation view thereof;
FIG. 11 is a left side elevation view thereof;
FIG. 12 is a right side elevation view thereof;
FIG. 13 is a top plan view thereof;
FIG. 14 is a bottom plan view thereof;
FIG. 15 is a first perspective view thereof; and,
FIG. 16 is a second perspective view thereof.
The broken lines depict portions of the reagent bottle that form no part of the claimed design.

(56) **References Cited**
U.S. PATENT DOCUMENTS
D202,744 S * 11/1965 Greenwell D9/527
D341,204 S * 11/1993 Hansen D24/224
D342,140 S * 12/1993 Sakagami D9/523
D353,464 S * 12/1994 Ushikubo D9/523

1 Claim, 16 Drawing Sheets



(56)

References Cited

U.S. PATENT DOCUMENTS

D770,637 S	*	11/2016	Pansare	D24/224
D784,552 S	*	4/2017	Onishi	D24/224
D821,603 S	*	6/2018	Tanner	D24/224
D848,022 S	*	5/2019	Park	D9/523
D875,967 S	*	2/2020	Park	D9/523
D896,367 S	*	9/2020	Combs	D9/524
D901,717 S	*	11/2020	Unger	G09F 23/00 D24/224

* cited by examiner

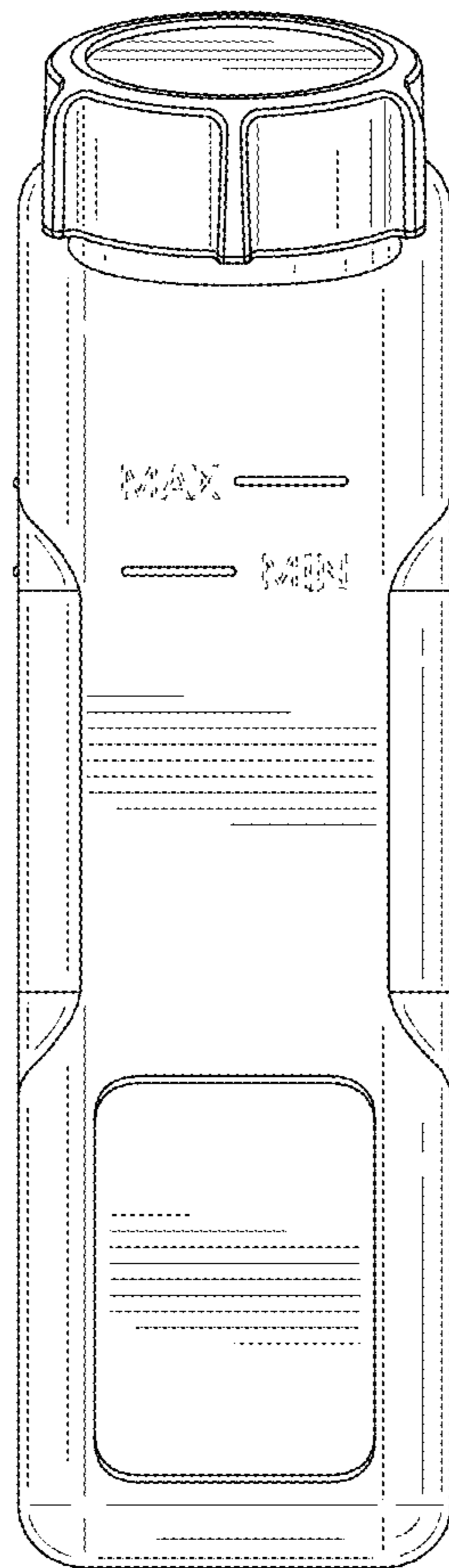


FIG. 1

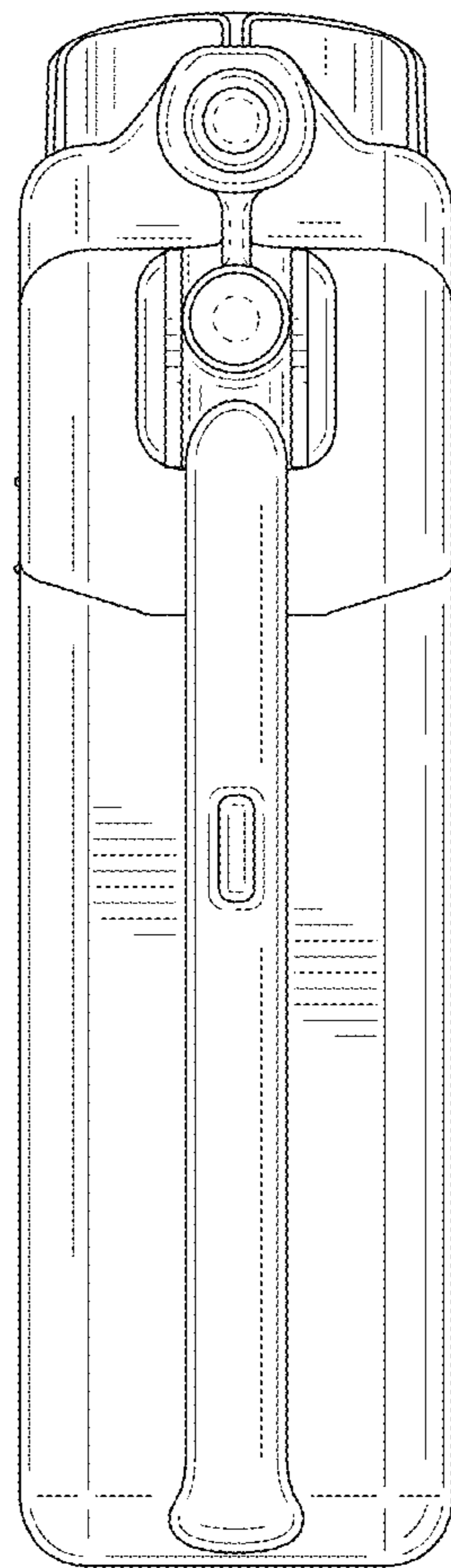


FIG. 2

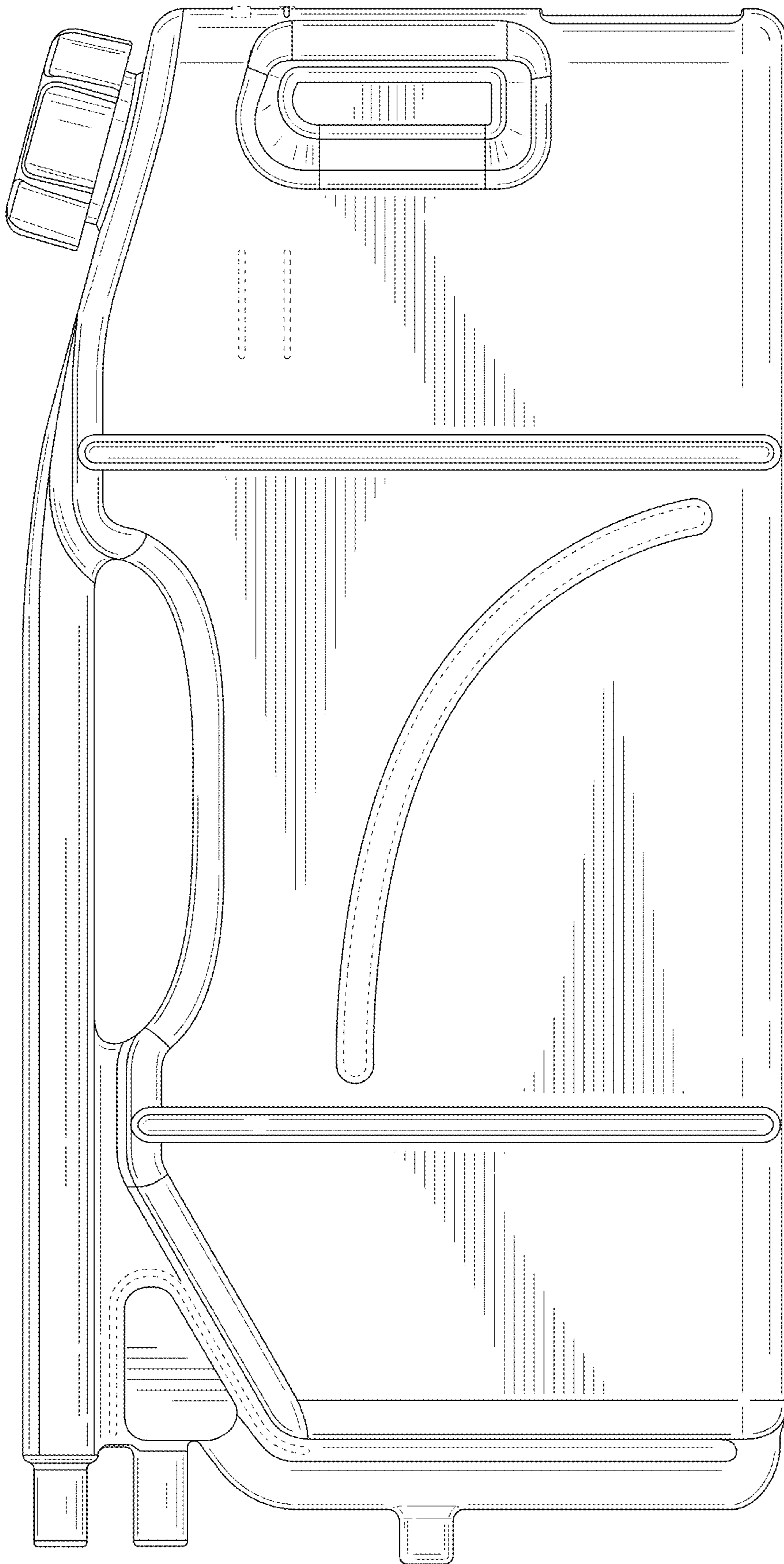


FIG. 3

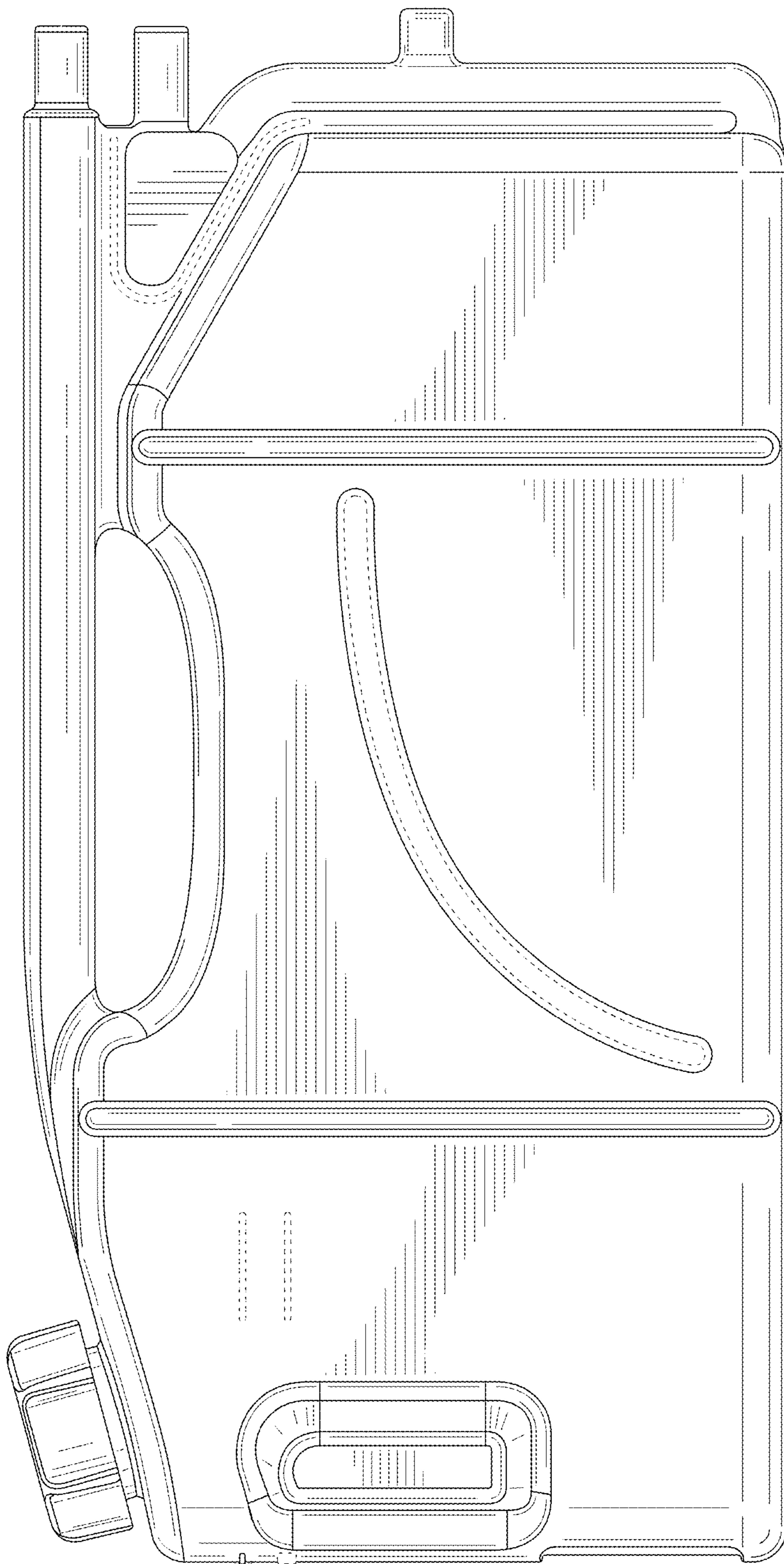


FIG. 4

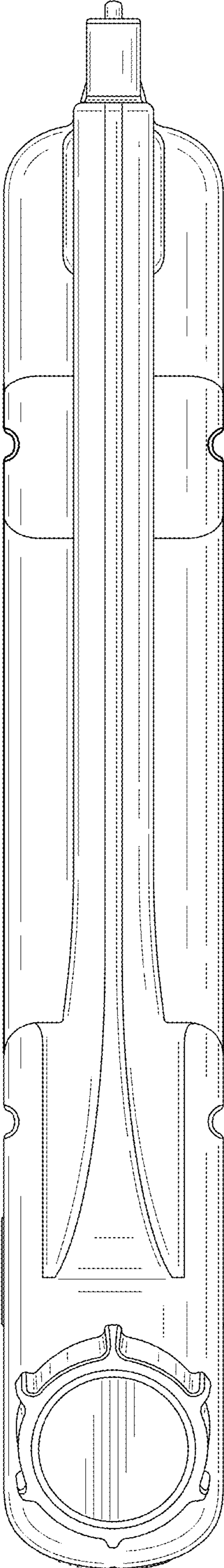


FIG. 5

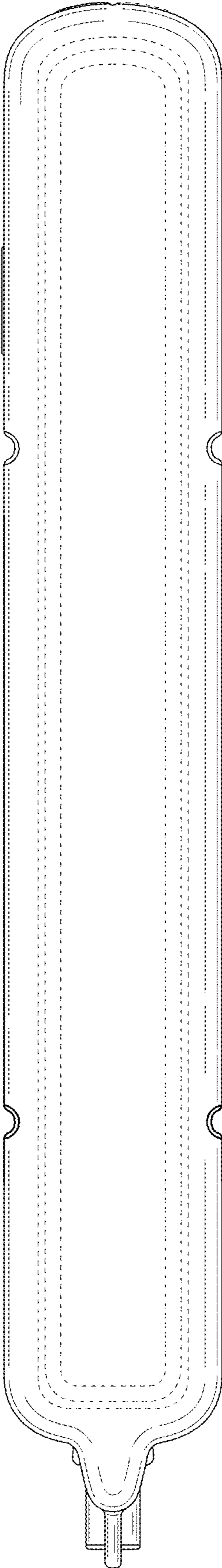


FIG. 6

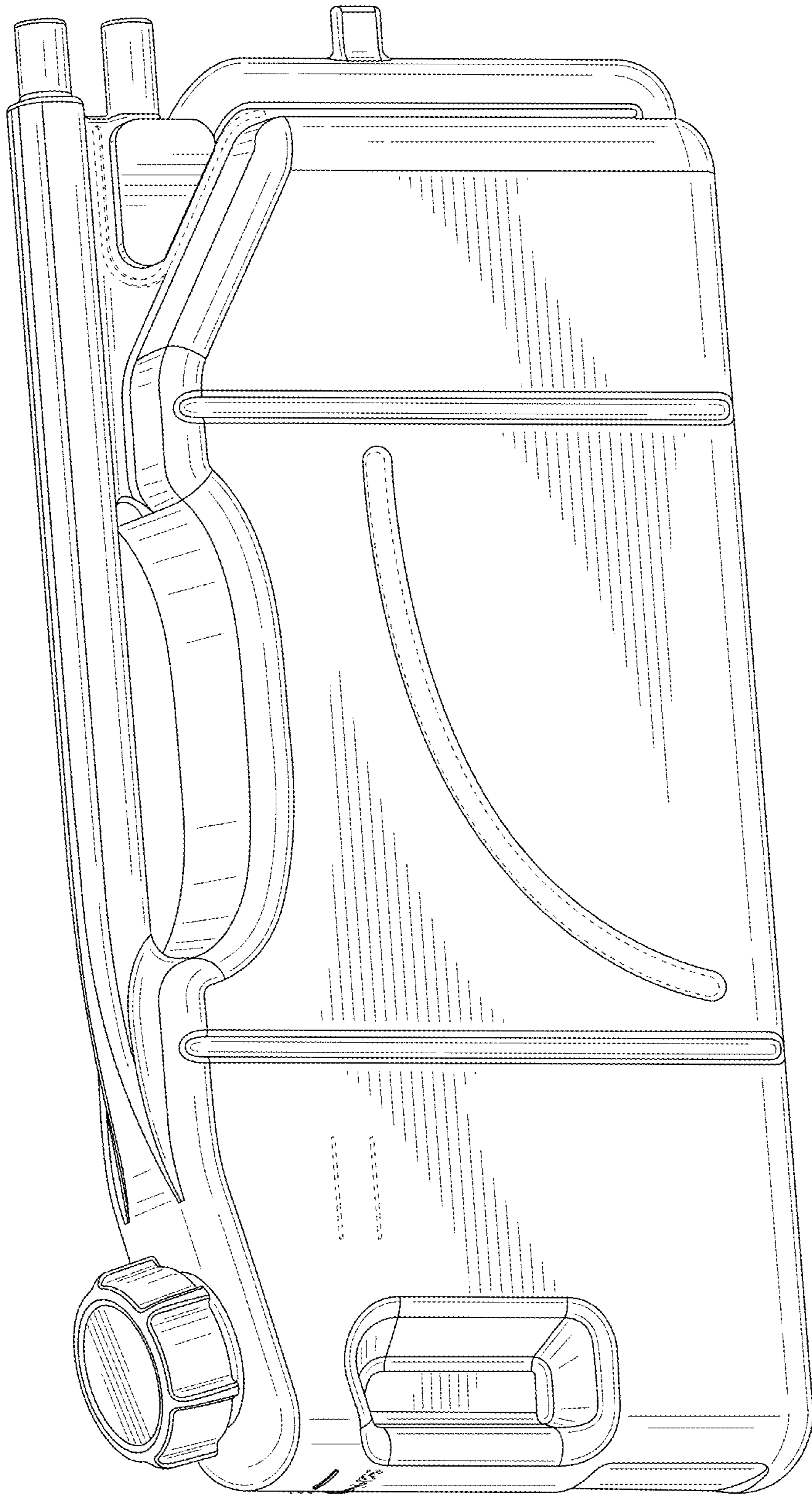


FIG. 7

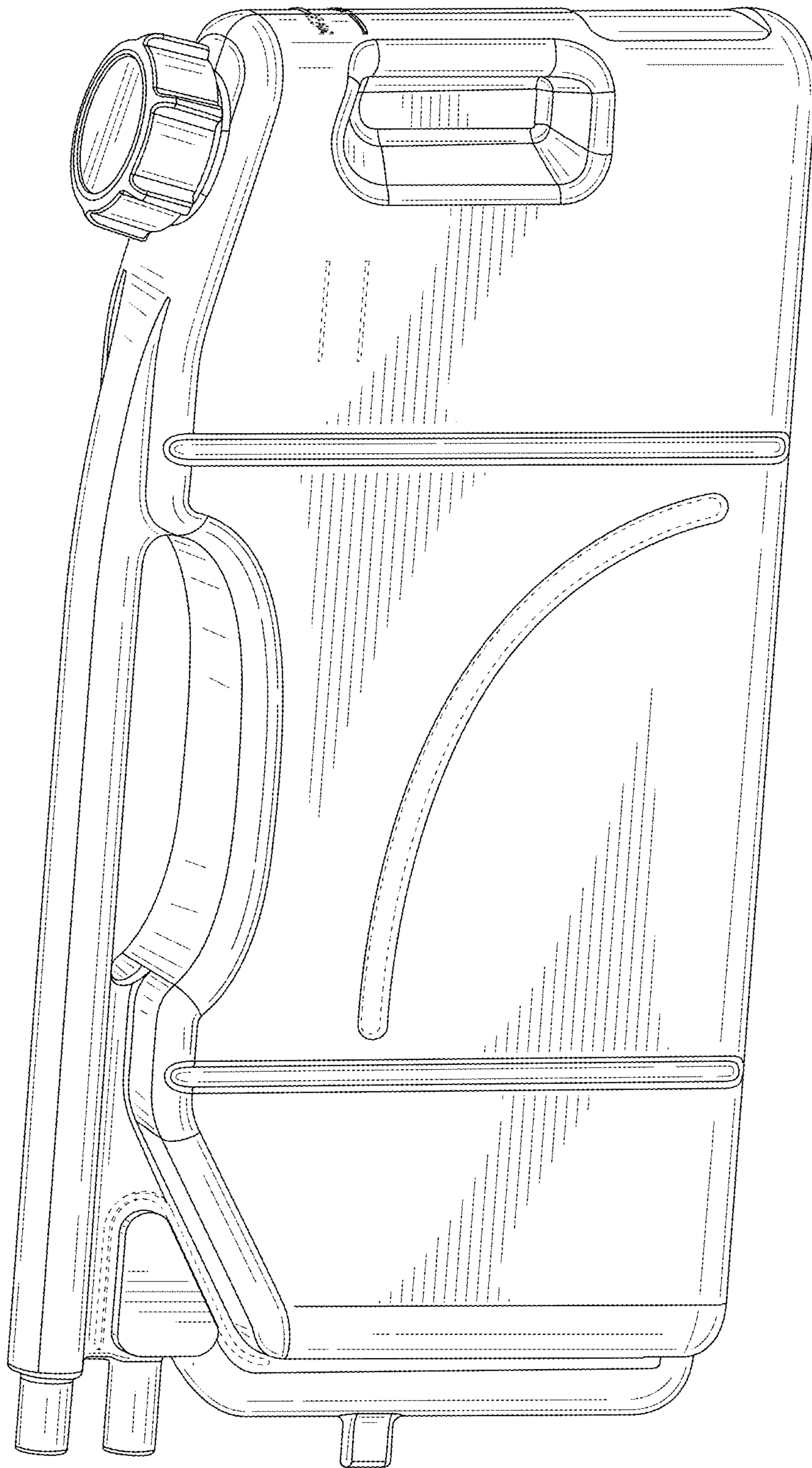


FIG. 8

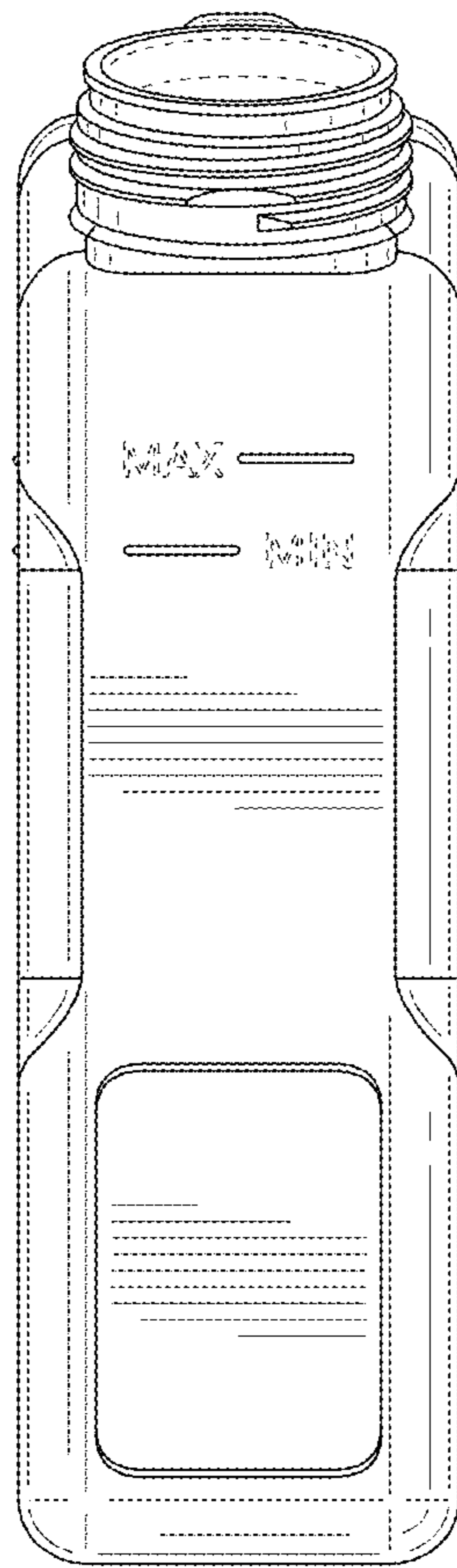


FIG. 9

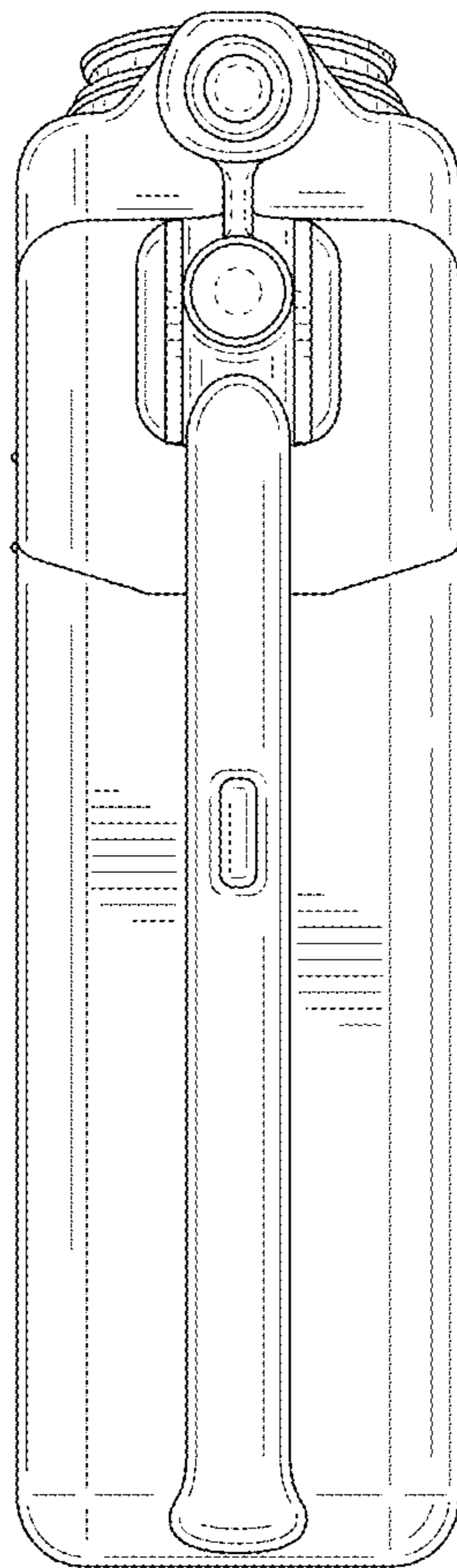


FIG. 10

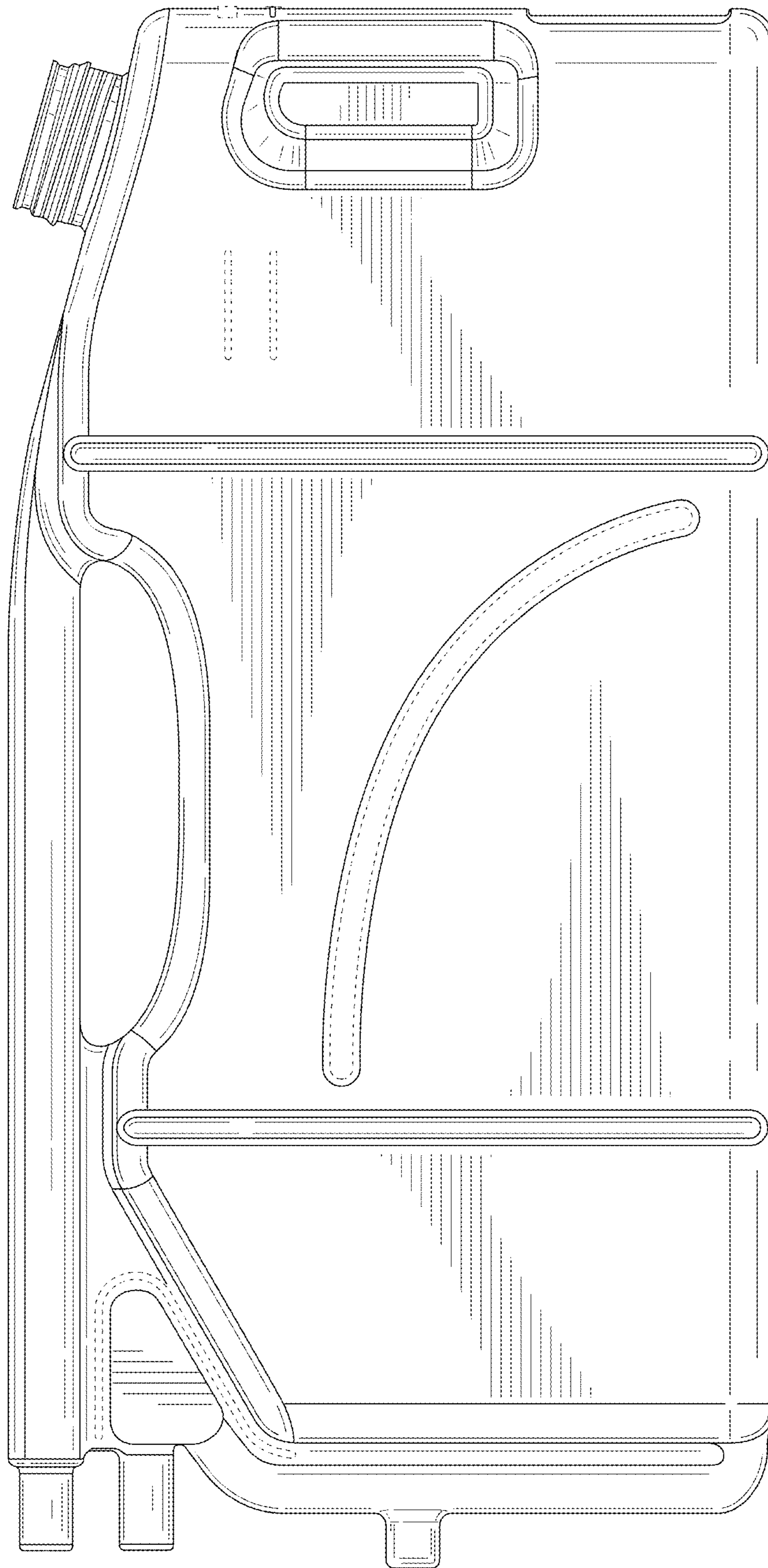


FIG. 11

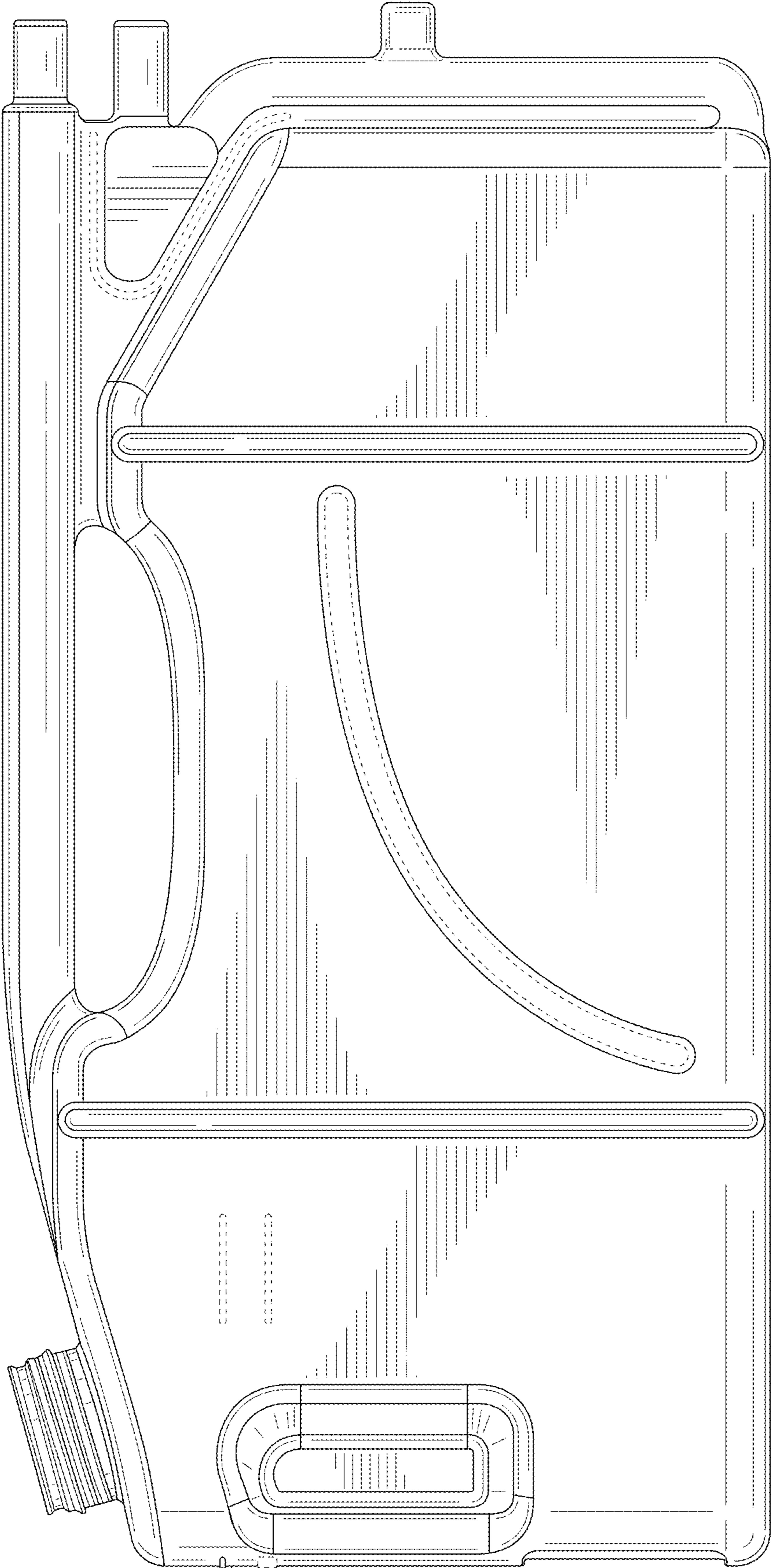


FIG. 12

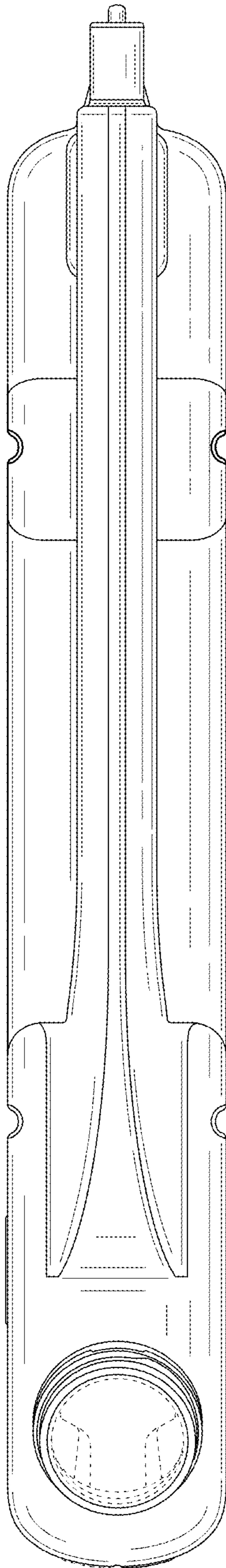


FIG. 13

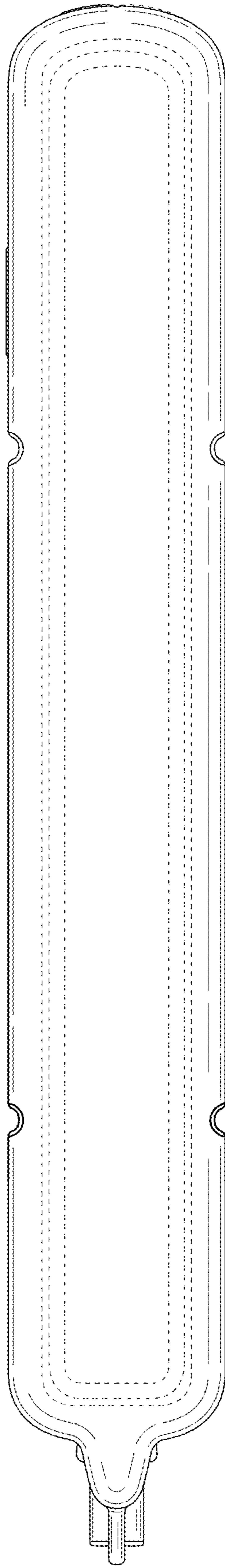


FIG. 14

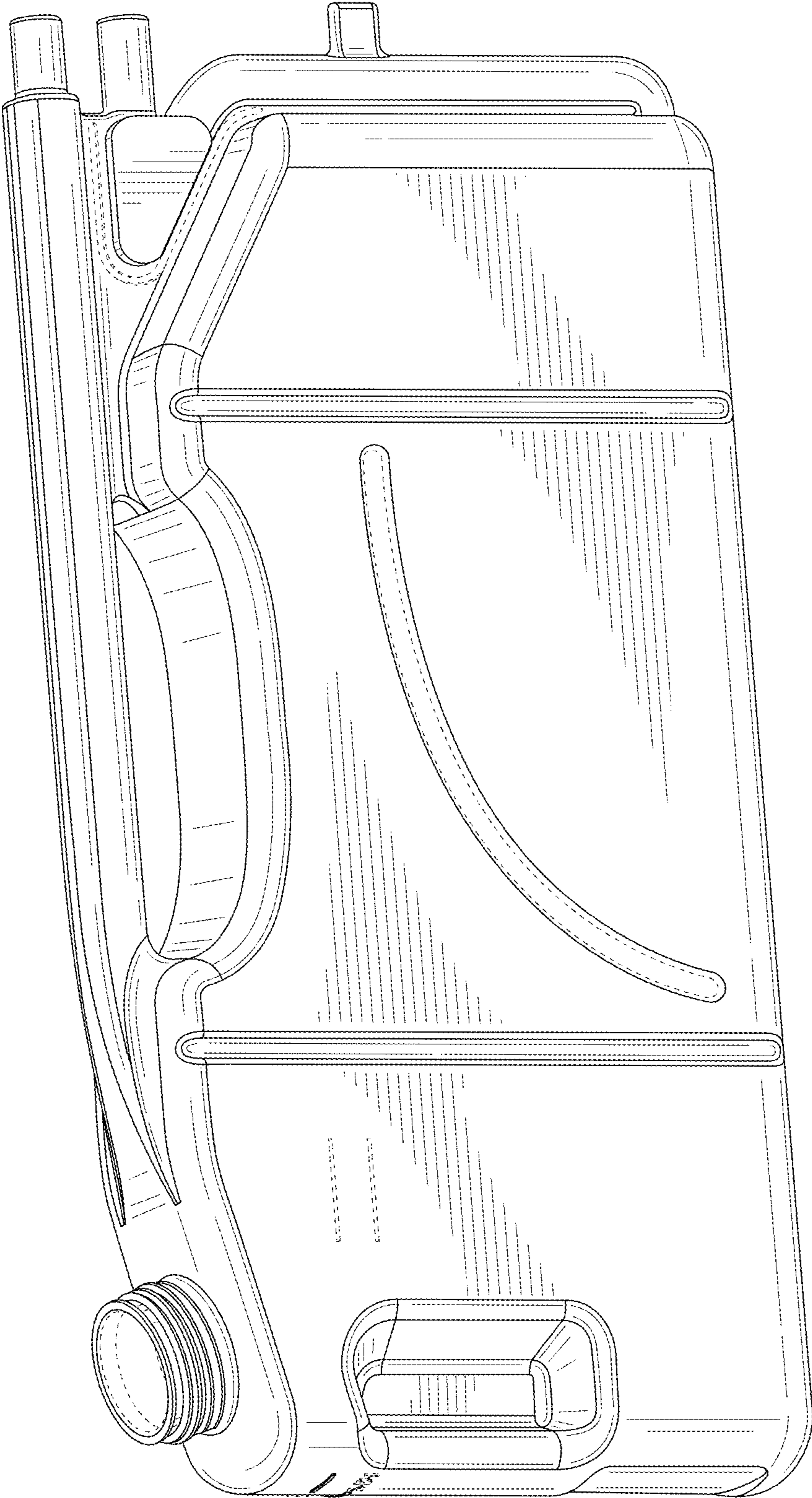


FIG. 15

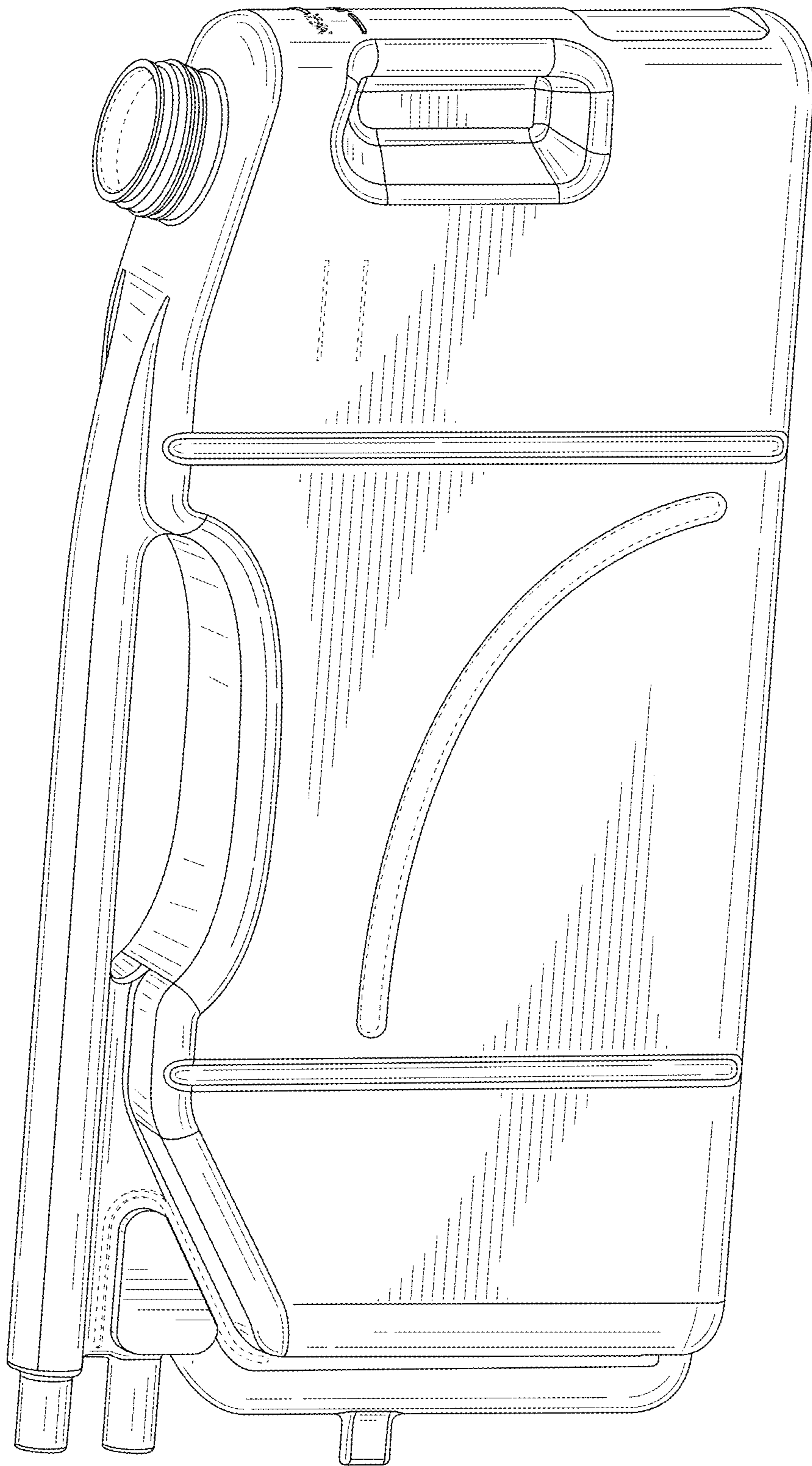


FIG. 16