



US00D981589S

(12) **United States Design Patent**
Mantovan et al.

(10) **Patent No.:** **US D981,589 S**
(45) **Date of Patent:** **** Mar. 21, 2023**

(54) **DISINFECTION EQUIPMENT FOR PREMISES**

(71) Applicant: **JONIX S.p.A.**, Tribano (IT)

(72) Inventors: **Mauro Mantovan**, Tribano (IT);
Antonio Cecchi, Tribano (IT)

(73) Assignee: **JONIX S.P.A.**, Tibano (IT)

(**) Term: **15 Years**

(21) Appl. No.: **35/513,167**

(22) Filed: **Jun. 15, 2021**

(80) **Hague Agreement Data**

Int. Filing Date: **Jun. 15, 2021**

Int. Reg. No.: **DM/214886**

Int. Reg. Date: **Jun. 15, 2021**

Int. Reg. Pub. Date: **Dec. 17, 2021**

(30) **Foreign Application Priority Data**

Dec. 15, 2020 (EM) 008322481

(51) **LOC (14) Cl.** **24-02**

(52) **U.S. Cl.**

USPC **D24/217**

(58) **Field of Classification Search**

USPC D24/217, 231; D26/37; D23/364, 366;
D32/1

CPC A61M 39/20; A61M 35/006; A61L 9/22;
B03C 3/38

See application file for complete search history.

(56) **References Cited**

U.S. PATENT DOCUMENTS

D581,058 S * 11/2008 Elkerbout D24/217

7,540,681 B2 * 6/2009 Cybulski A61M 35/006
401/133

| | | | | |
|-------------------|---------|----------|-------|------------|
| D631,620 S * | 1/2011 | Choi | | D32/1 |
| D652,529 S * | 1/2012 | Eum | | D24/217 |
| D868,992 S * | 12/2019 | Ma | | D24/217 |
| 10,493,261 B2 * | 12/2019 | Solomon | | A61M 39/20 |
| D881,406 S * | 4/2020 | Kim | | D24/217 |
| D893,045 S * | 8/2020 | Tang | | D24/217 |
| D901,713 S * | 11/2020 | Nicoll | | D24/217 |
| D919,109 S * | 5/2021 | Ou Yang | | D24/217 |
| D925,762 S * | 7/2021 | LaPorte | | D24/217 |
| D937,399 S * | 11/2021 | Sarkar | | D23/366 |
| D938,610 S * | 12/2021 | Ou Yang | | D24/217 |
| D956,291 S * | 6/2022 | Xu | | D26/37 |
| D961,112 S * | 8/2022 | Krömker | | D24/217 |
| D966,481 S * | 10/2022 | Zhang | | D23/364 |
| D967,570 S * | 10/2022 | Maw | | D32/1 |
| 2022/0054670 A1 * | 2/2022 | Mantovan | | A61L 9/22 |
| 2022/0054700 A1 * | 2/2022 | Mantovan | | B03C 3/38 |

* cited by examiner

Primary Examiner — Rhea Shields

(74) *Attorney, Agent, or Firm* — Leason Ellis LLP

(57) **CLAIM**

The ornamental design for a disinfection equipment for premises, as shown and described.

DESCRIPTION

1. Disinfection equipment for premises

1.1 : Perspective

1.2 : Front elevation view

1.3 : Left side elevation view

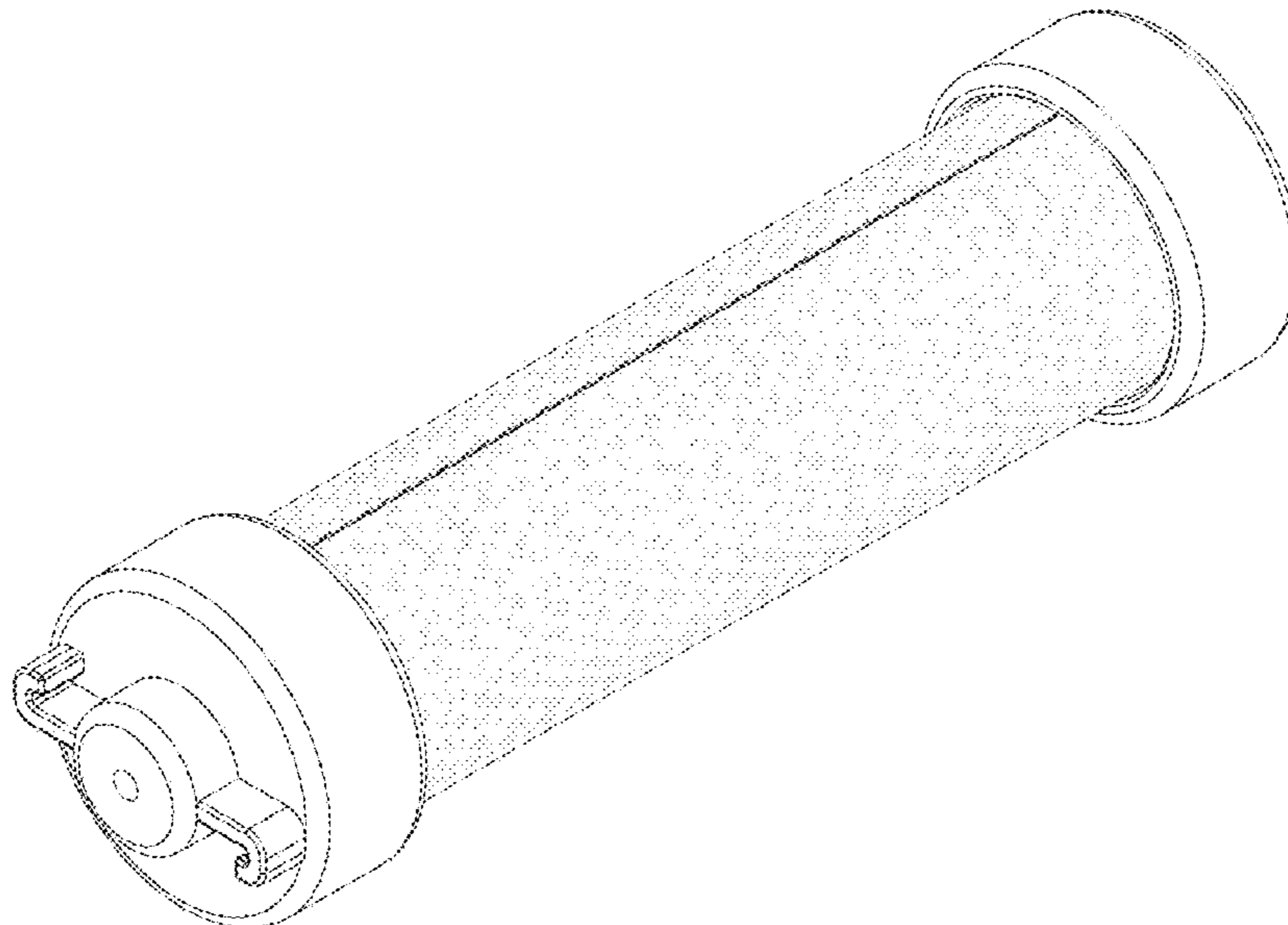
1.4 : Rear elevation view

1.5 : Right side elevation view

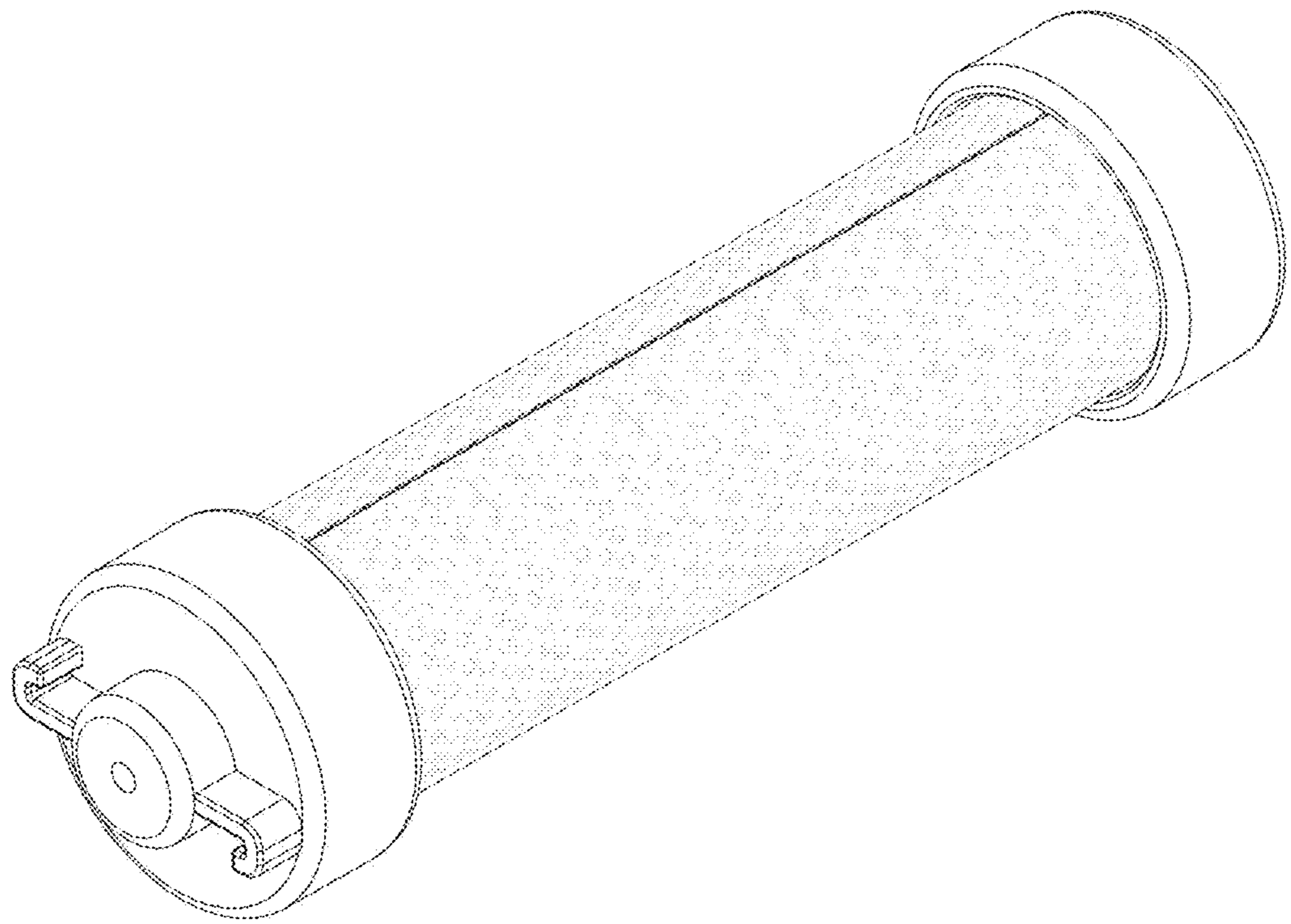
1.6 : Bottom plan view

1.7 : Top plan view

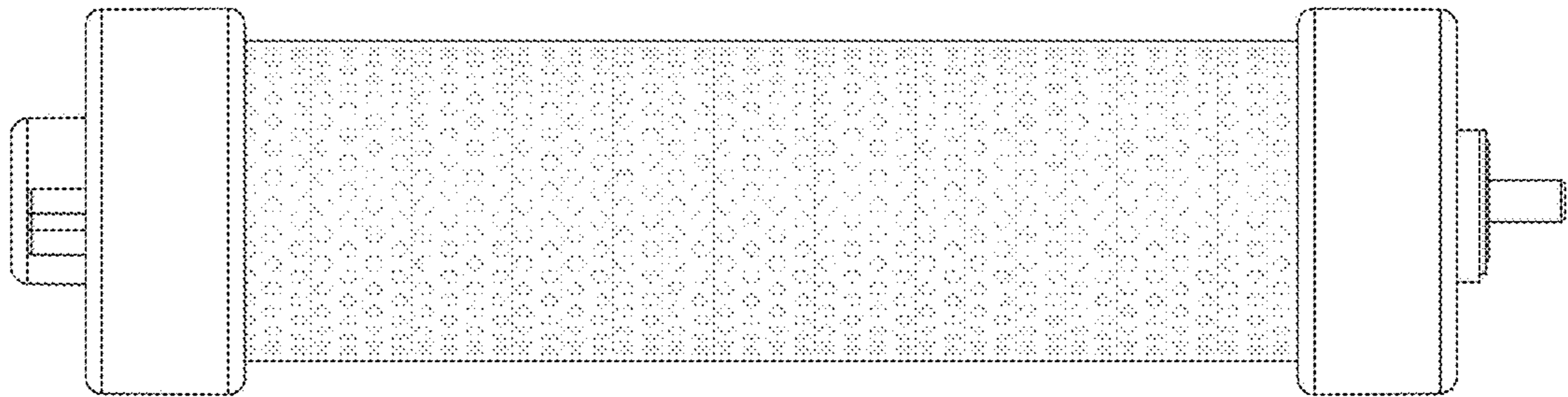
1 Claim, 7 Drawing Sheets



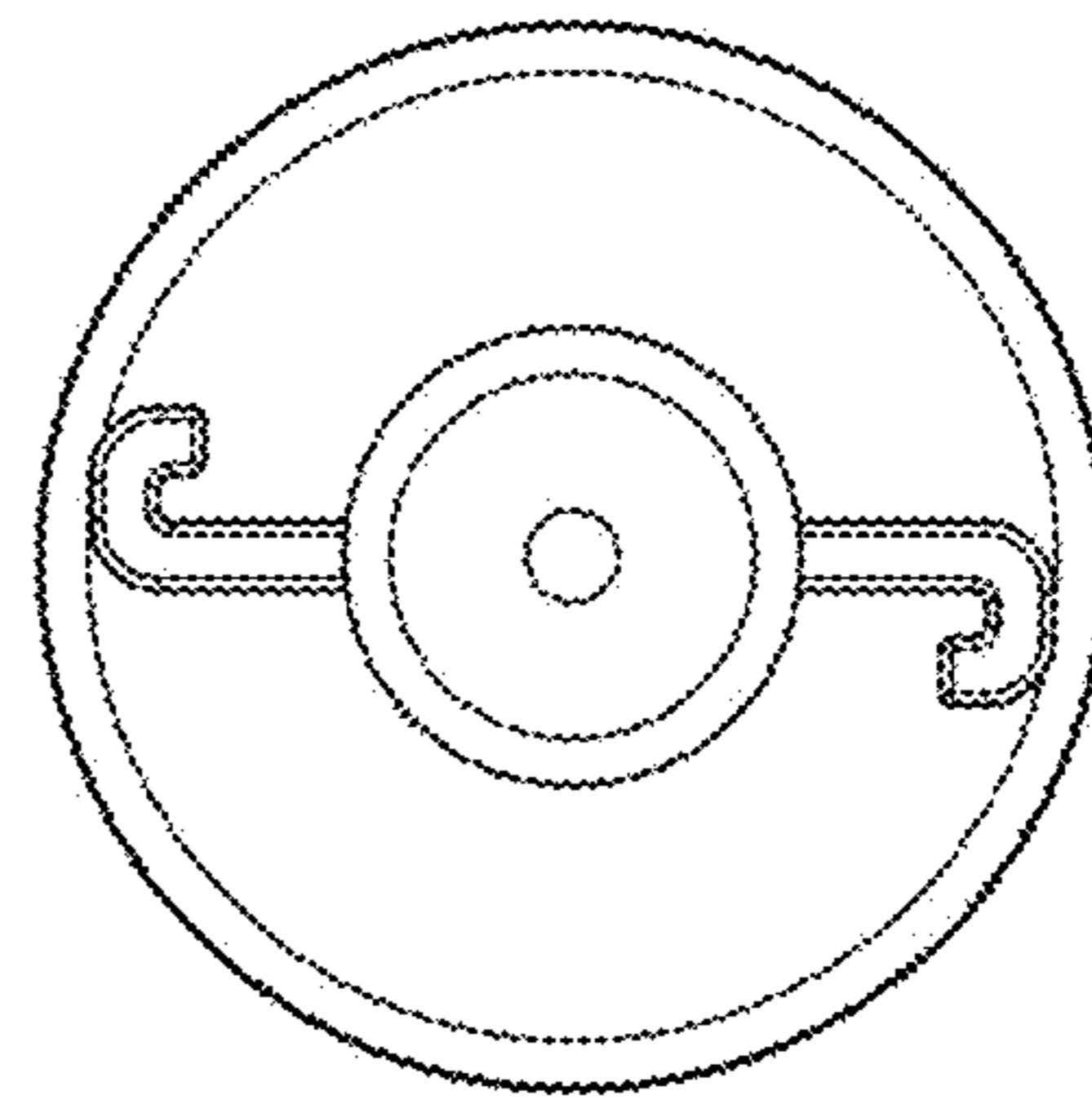
1.1



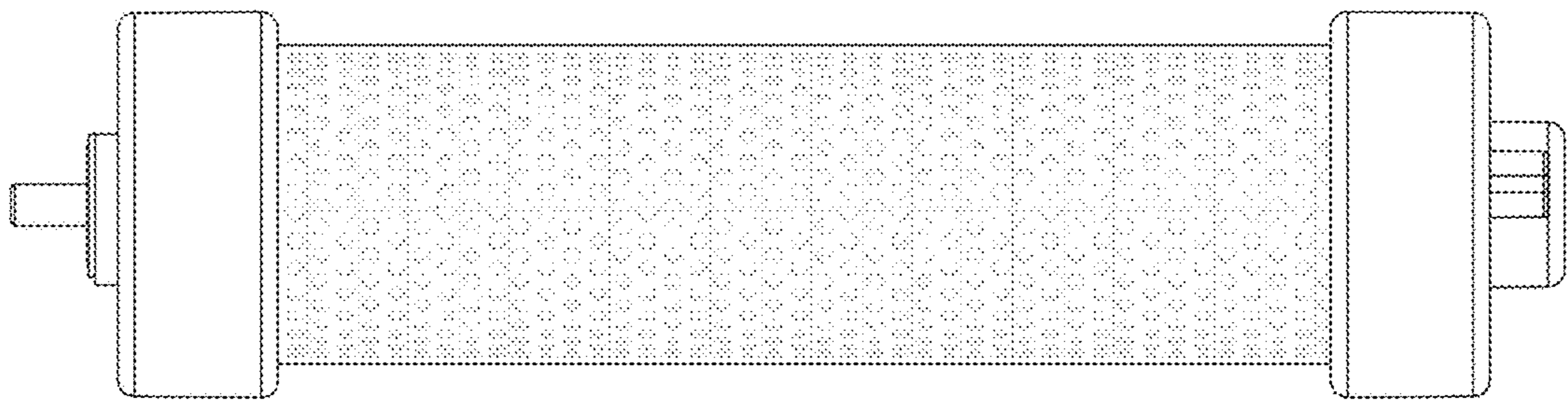
1.2



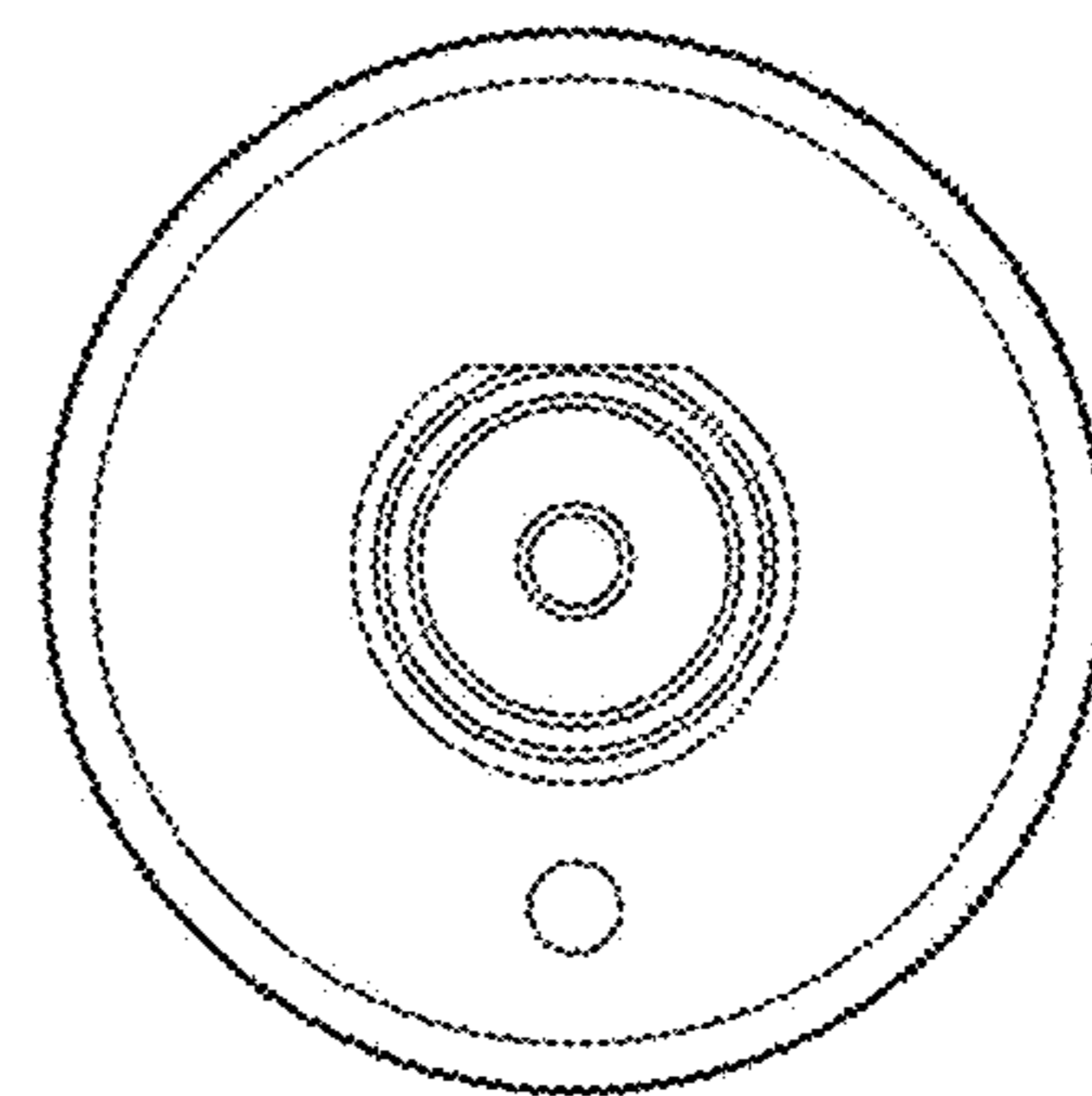
1.3



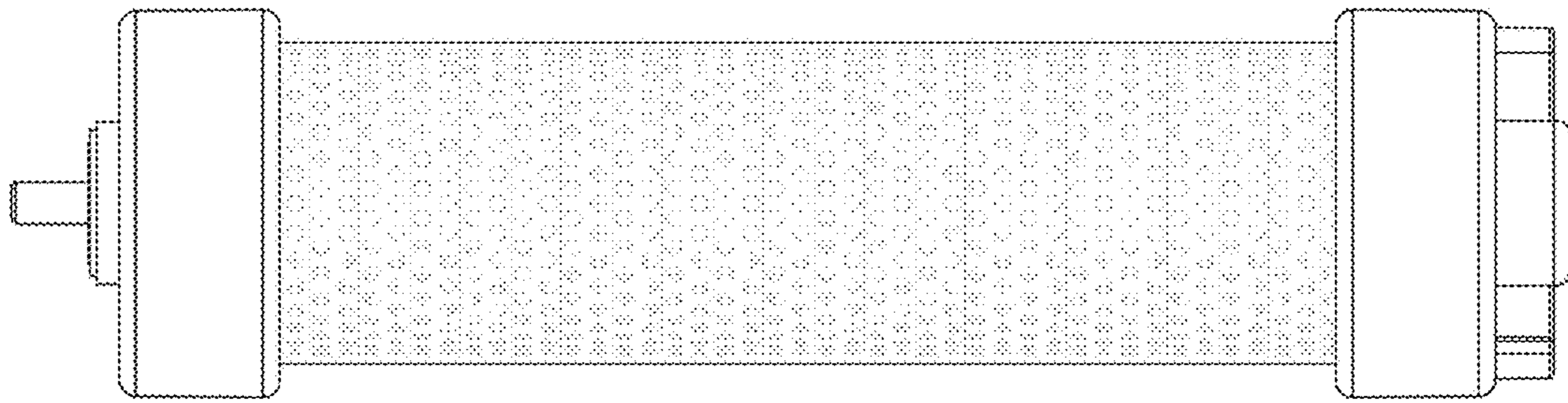
1.4



1.5



1.6



1.7

