



US00D981587S

(12) **United States Design Patent**
Eggert et al.

(10) **Patent No.:** **US D981,587 S**
(45) **Date of Patent:** **** Mar. 21, 2023**

- (54) **GUARD**
- (71) Applicant: **Exsurco Medical, Inc.**, Wakeman, OH (US)
- (72) Inventors: **Logan Eggert**, Salt Lake City, UT (US); **Jared L Koch**, Fox Point, WI (US); **Amber F. McAfee**, Woodstock, GA (US)
- (73) Assignee: **Exsurco Medical, Inc.**, Wakeman, OH (US)
- (**) Term: **15 Years**

- D321,558 S * 11/1991 Vestal, Sr. D23/398
- 5,137,533 A * 8/1992 Giampapa A61F 2/10
623/15.11
- 5,196,020 A * 3/1993 Atkinson A61B 17/322
606/1
- D406,363 S * 3/1999 Molnar D25/156
- D423,111 S * 4/2000 Davis D9/732
- D456,234 S * 4/2002 Keller D8/396
- D463,570 S * 9/2002 Bedingham D24/216
- D472,678 S * 4/2003 Cho D29/120.1
- D562,463 S * 2/2008 Berndt D24/226
- D565,706 S * 4/2008 Murray D23/261
- D622,421 S * 8/2010 Akkala D25/152
- D651,292 S * 12/2011 Geers D23/267
- D738,408 S * 9/2015 Lee D15/89
- D765,737 S * 9/2016 Gross D15/28
- D794,208 S * 8/2017 Cheon D24/190

(21) Appl. No.: **29/802,640**

(22) Filed: **Aug. 6, 2021**

(51) **LOC (14) Cl.** **24-02**

(52) **U.S. Cl.**
USPC **D24/216**

(58) **Field of Classification Search**
USPC D15/133; D24/107, 133, 146, 144, 147,
D24/161, 162, 188, 199, 216, 224-227,
D24/231; D7/409, 667

CPC A61B 17/322; A61B 2017/3225; A61K
35/36; A61F 2/10

See application file for complete search history.

(56) **References Cited**

U.S. PATENT DOCUMENTS

- 3,593,985 A * 7/1971 Tanner, Jr. A61B 17/322
83/284
- 3,613,242 A * 10/1971 Hill et al. A61B 17/322
30/305
- D253,027 S * 10/1979 Whitaker D23/398
- D259,873 S * 7/1981 Milner D12/171
- D267,466 S * 1/1983 Hassett D23/398
- D270,292 S * 8/1983 Johnson D25/156
- D274,211 S * 6/1984 Haggard D25/156
- 5,004,468 A 4/1991 Atkinson

(Continued)

OTHER PUBLICATIONS

Humeca, "Skin Mesher," <<https://ozmedix.com.au/humeca/mesher/>>. Website accessed Aug. 13, 2021.

(Continued)

Primary Examiner — Michael C Stout
Assistant Examiner — Fritzgerald L Butac

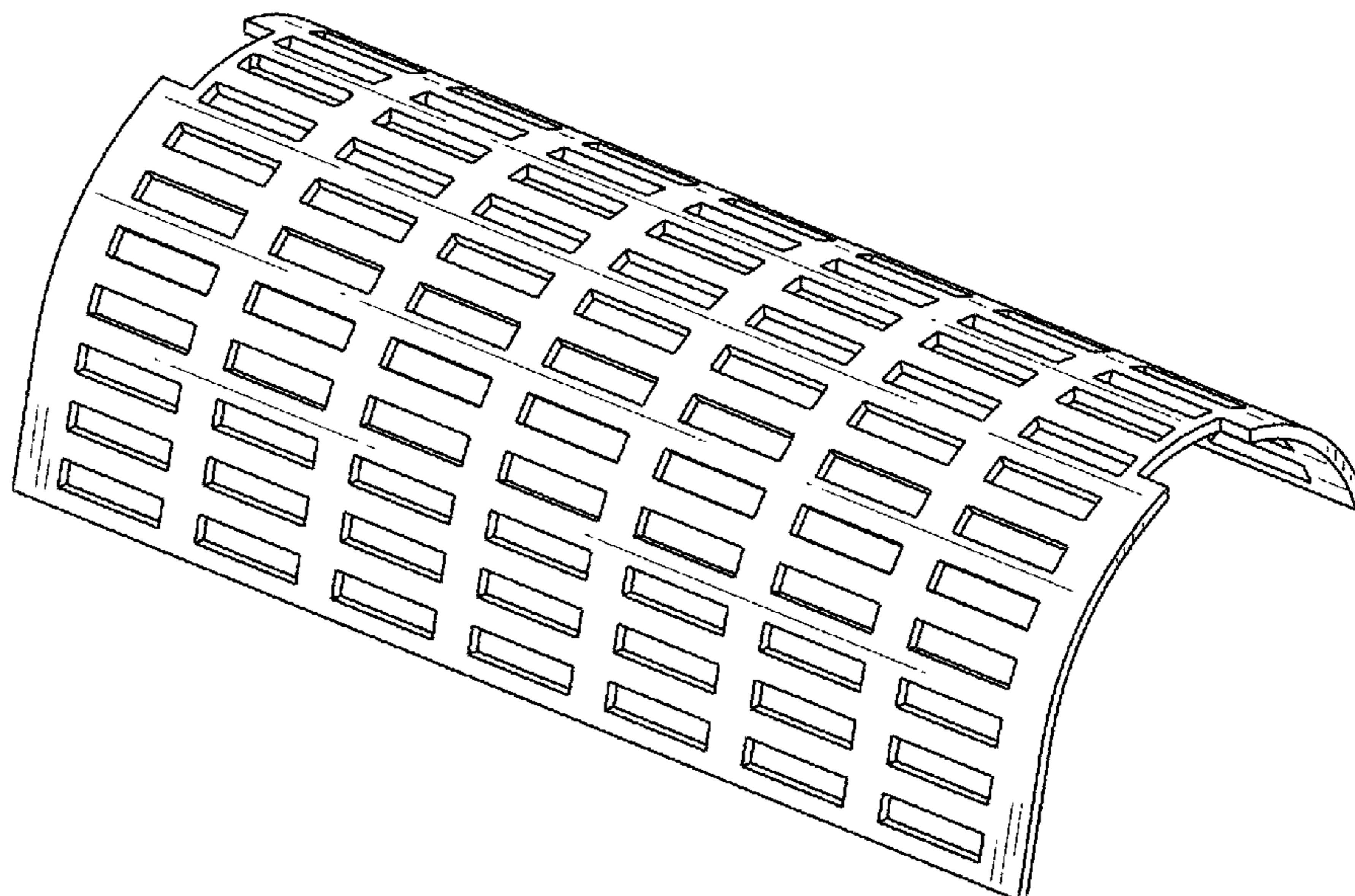
(57) **CLAIM**

The ornamental design for a guard, as shown and described.

DESCRIPTION

FIG. 1 is a perspective view showing the guard embodying the new design;
FIG. 2 is a front elevation view thereof;
FIG. 3 is a rear elevation view thereof;
FIG. 4 is a right side elevation view thereof;
FIG. 5 is a left side elevation view thereof;
FIG. 6 is a top plan view thereof; and,
FIG. 7 is a bottom plan view thereof.

1 Claim, 4 Drawing Sheets



(56)

References Cited

U.S. PATENT DOCUMENTS

D810,518 S * 2/2018 Miller D7/667
D829,483 S * 10/2018 Lah D7/340
D831,170 S * 10/2018 Schluter D23/261
D835,745 S * 12/2018 Storch D22/108
D836,187 S * 12/2018 Frasher D23/332
D885,530 S * 5/2020 Gori D23/267
D907,809 S * 1/2021 Burke D25/48.8
D937,993 S * 12/2021 Ealer, Sr. D23/267
D969,432 S * 11/2022 Lee D32/54
D973,433 S * 12/2022 Veatch, III A47J 37/0763
D7/408
2022/0054159 A1* 2/2022 Chen A61B 17/32053

OTHER PUBLICATIONS

Zimmer Biomet TV, The Zimmer® Skin Graft Mesher, <<https://zimmerbiomet.tv/videos/406>>, Published May 14, 2012, Website accessed Aug. 13, 2021.

Youtube, LLC, “Skin Graft Mesher System , Simrix Surgical Co.”, <https://www.youtube.com/watch?v=LSTjcXrZDIQ&ab_channel=SimrixSurgicalCo>, Published Nov. 16, 2017, Accessed Aug. 13, 2021.

StellenMedical, “Brennan Skin Graft Mesher,” <<https://www.stellenmedical.com/skin-graft-mesher.html>>, Website accessed May 21, 2021.

* cited by examiner

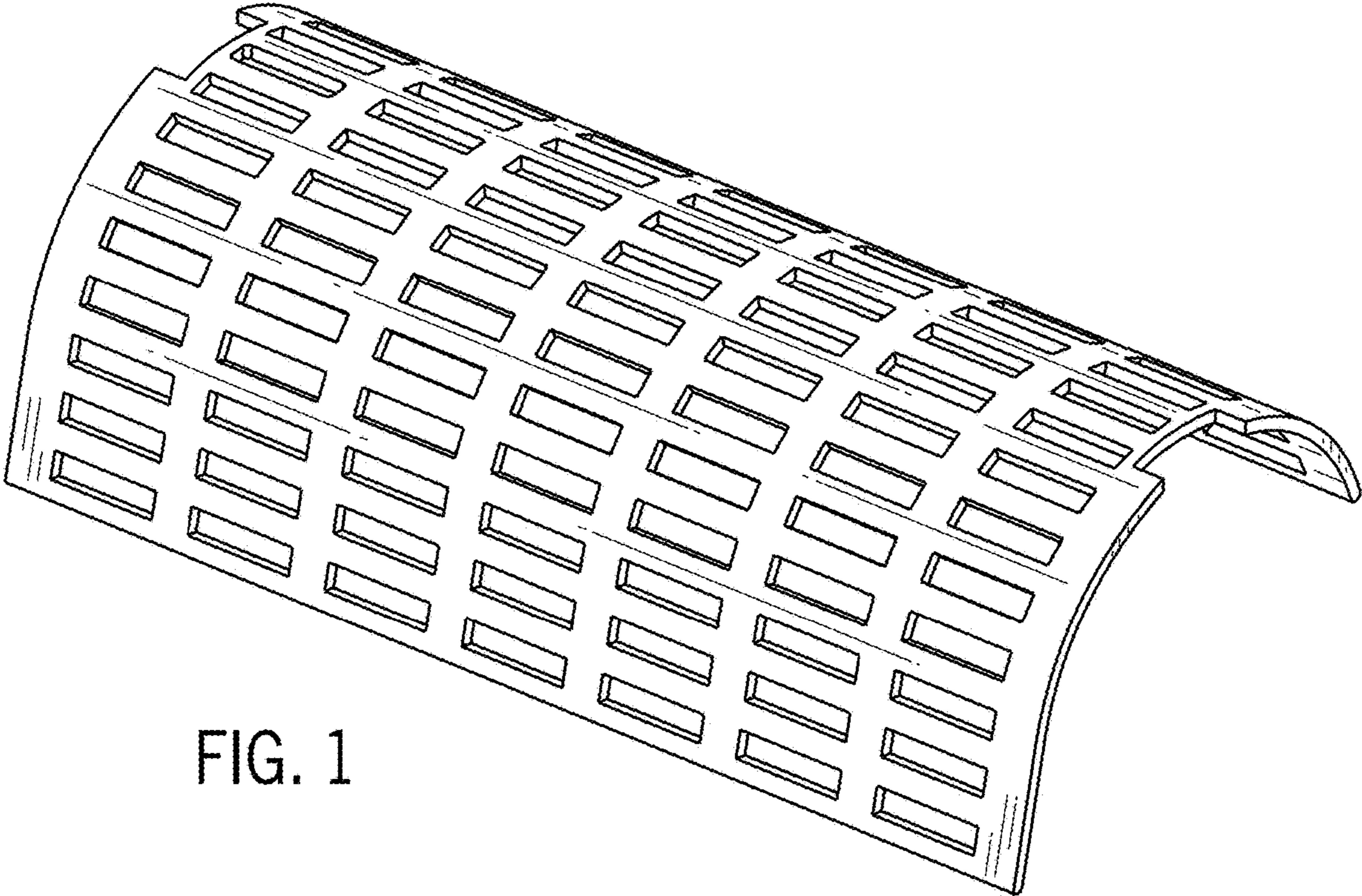


FIG. 1

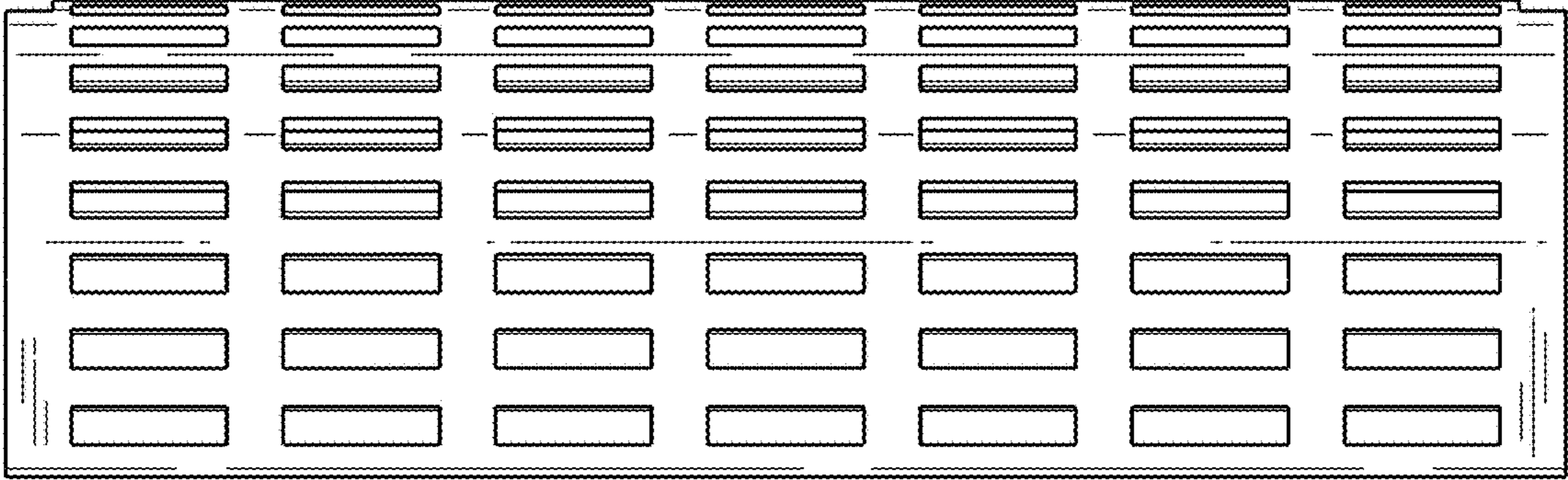


FIG. 2

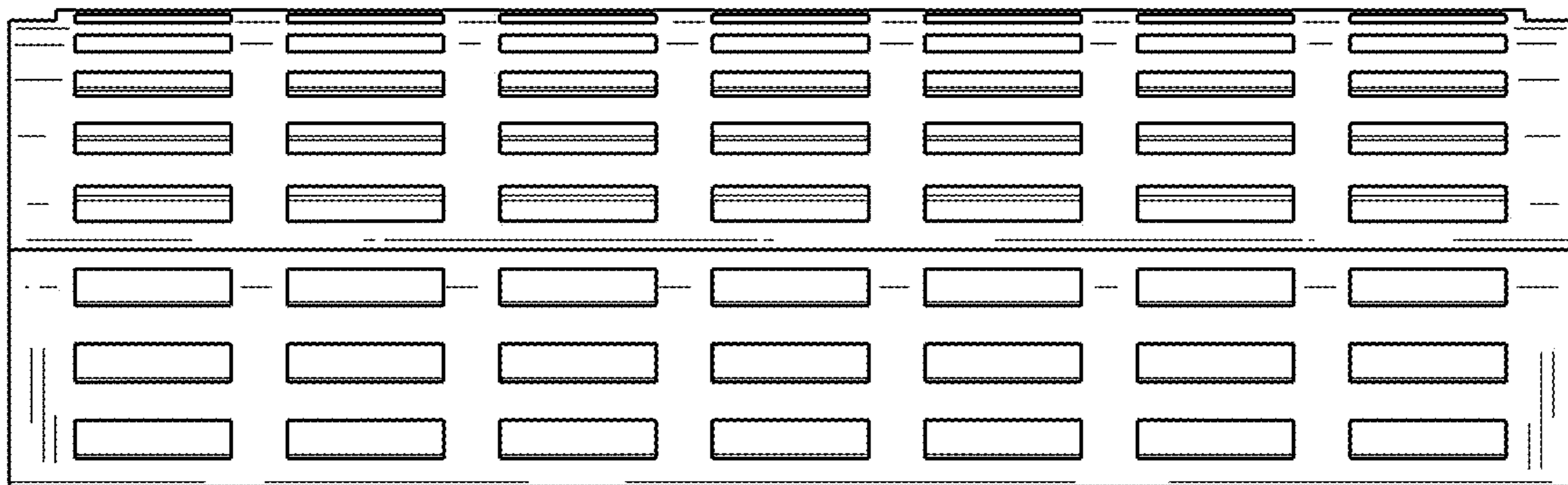


FIG. 3

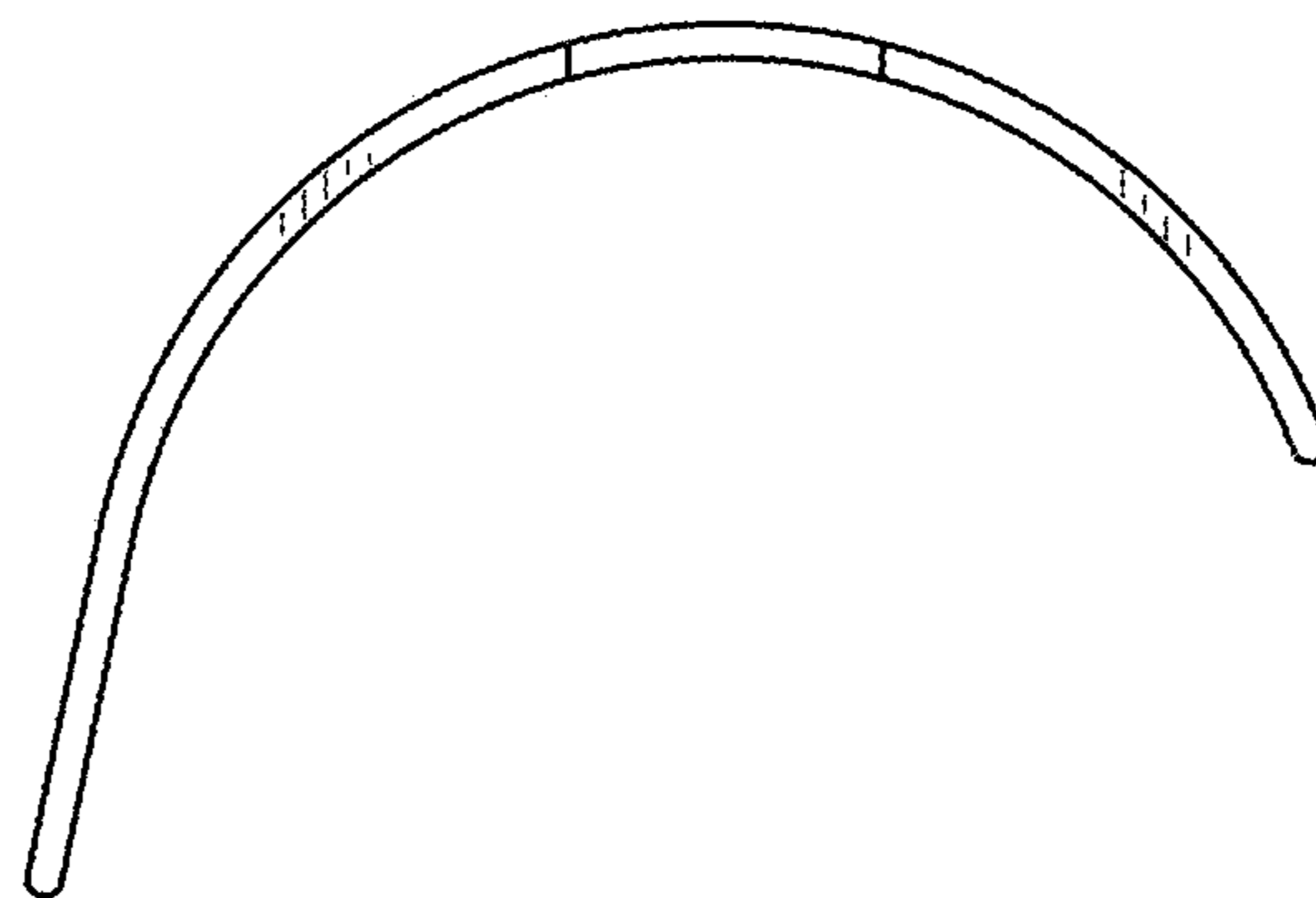


FIG. 4

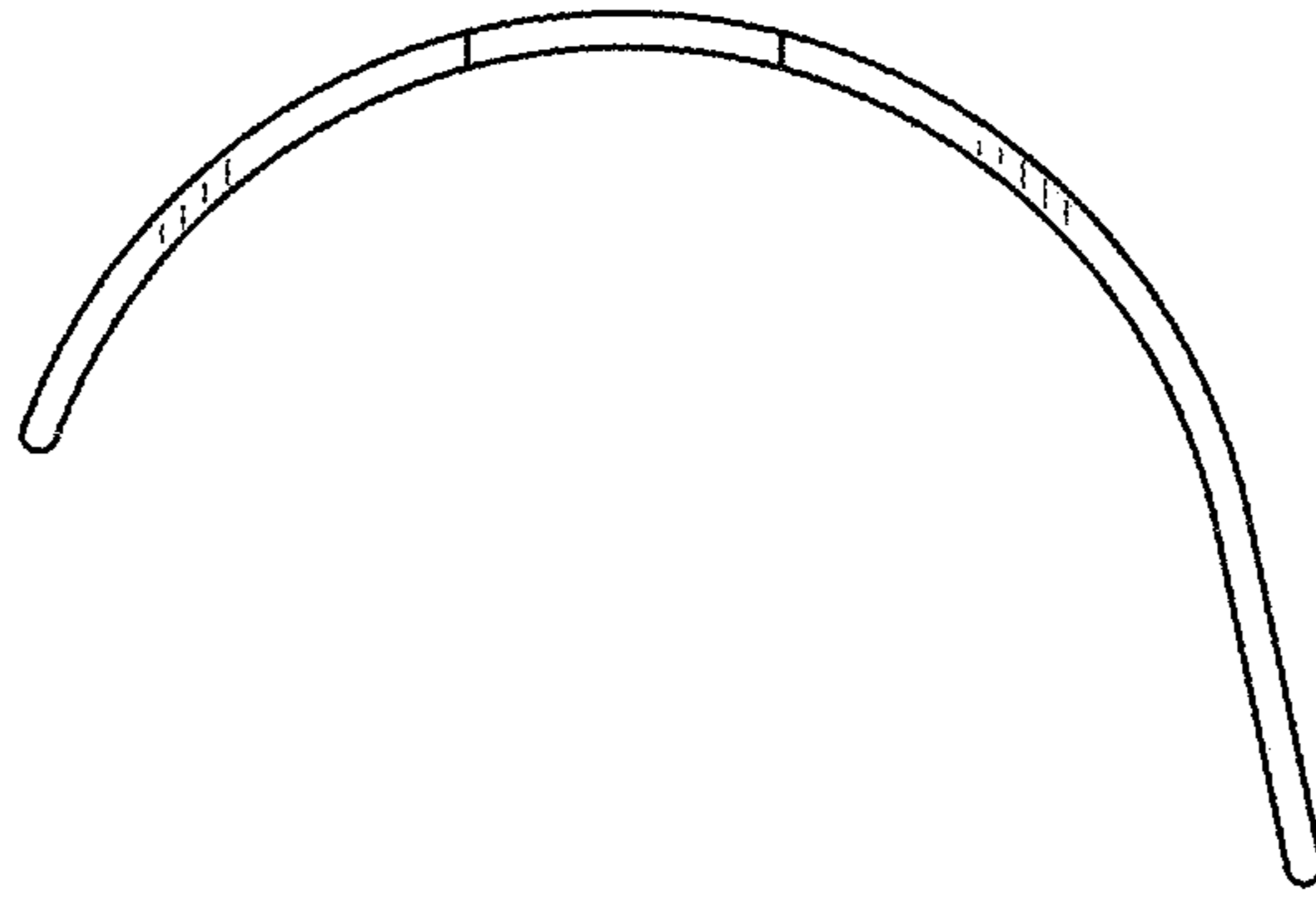


FIG. 5

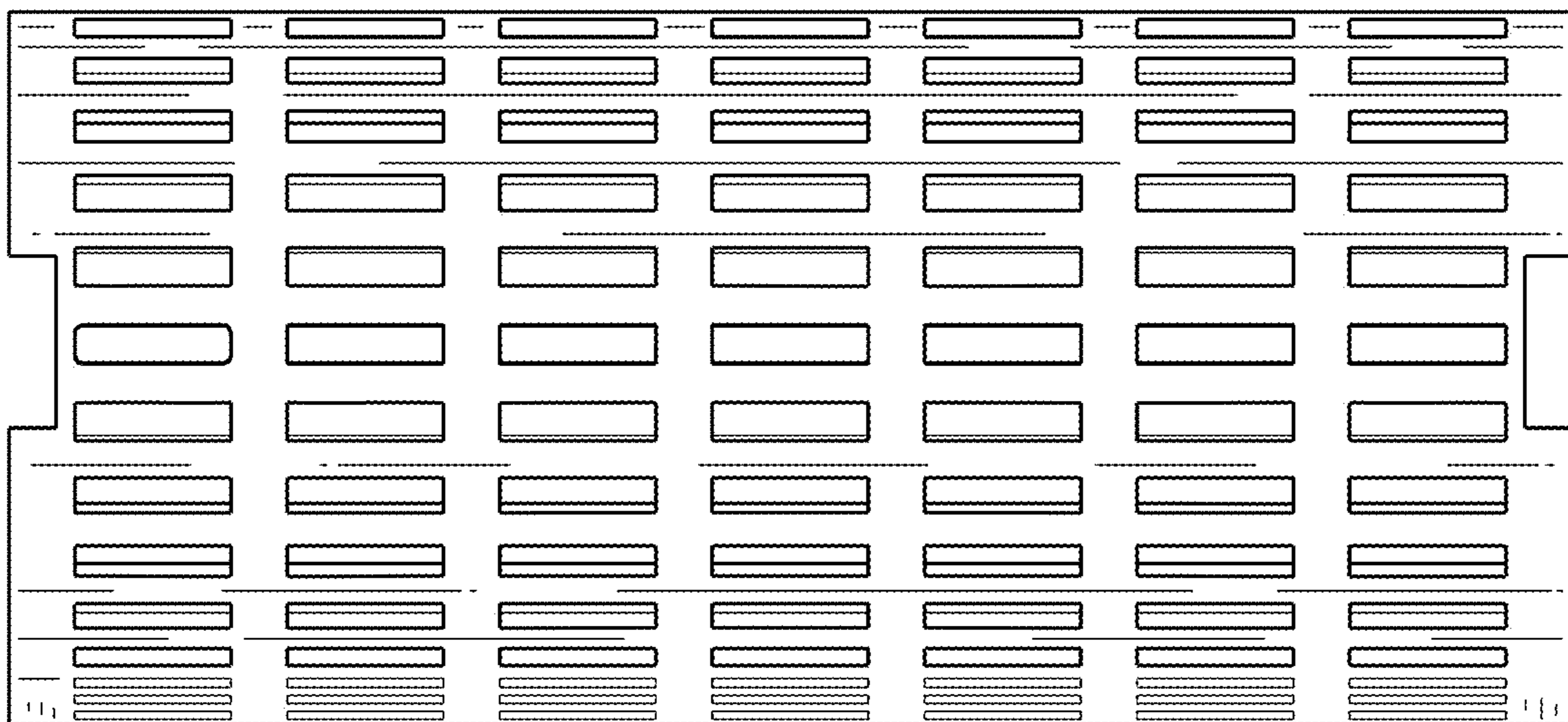


FIG. 6

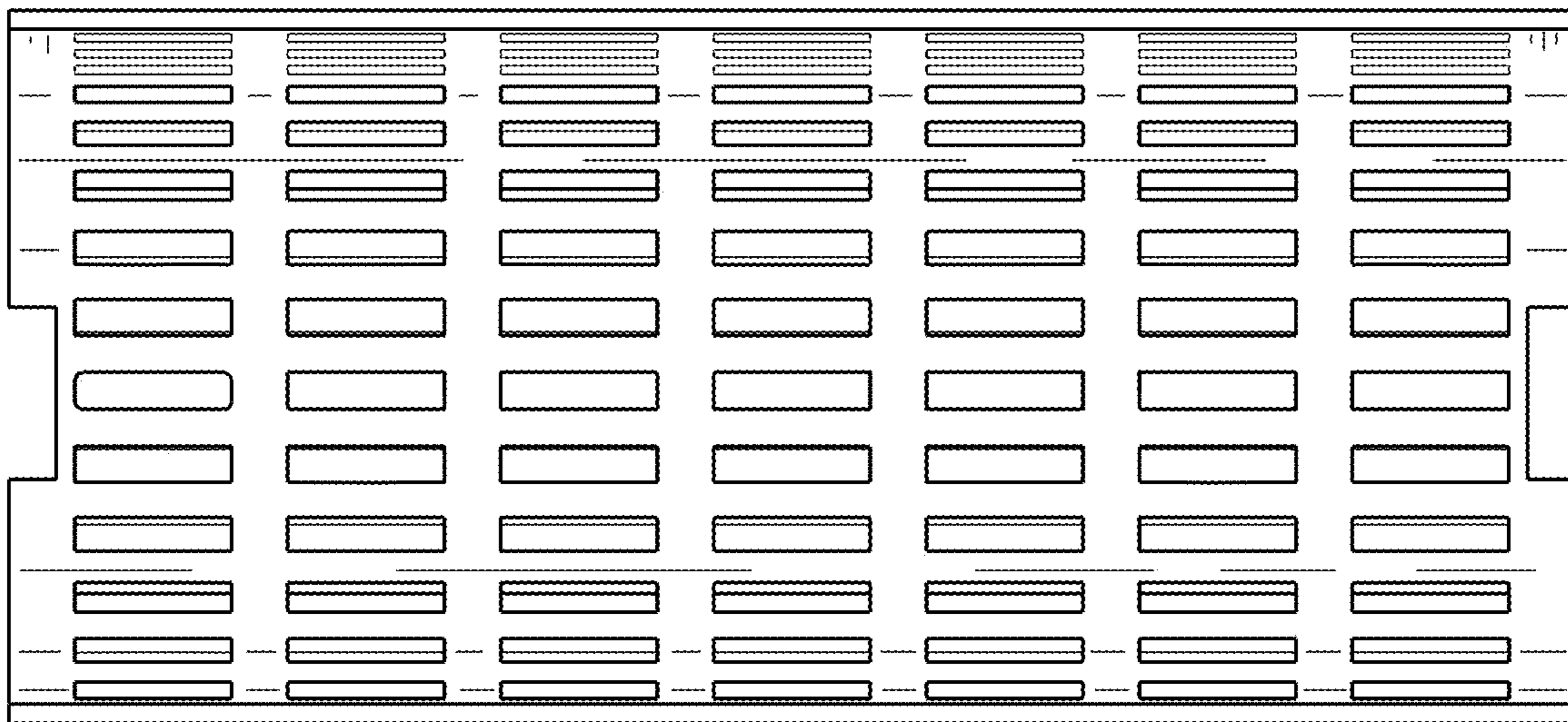


FIG. 7