



US00D981586S

(12) **United States Design Patent**
von Wurmb

(10) **Patent No.:** **US D981,586 S**
(45) **Date of Patent:** **** Mar. 21, 2023**

(54) **SEX TOY**
(71) Applicant: **Jan-Daniel Büniger von Wurmb,**
Mönchengladbach (DE)
(72) Inventor: **Jan-Daniel Büniger von Wurmb,**
Mönchengladbach (DE)
(**) Term: **15 Years**
(21) Appl. No.: **35/513,475**
(22) Filed: **Dec. 13, 2021**

8,641,600 B2 * 2/2014 Nelson A61F 5/41
600/38
D737,990 S * 9/2015 Lee D24/215
D934,962 S * 11/2021 Savioli D21/684
D950,763 S * 5/2022 Anderton D24/215
2009/0012355 A1 * 1/2009 Lin A61H 19/34
600/38
2009/0105529 A1 * 4/2009 Crarer A61H 19/32
600/38
2009/0318755 A1 * 12/2009 Adams A61H 23/0263
600/41
2015/0032195 A1 * 1/2015 Lin A61N 1/0521
607/148
2015/0313749 A1 * 11/2015 Hahr A61H 19/34
600/39

(80) **Hague Agreement Data**
Int. Filing Date: **Dec. 13, 2021**
Int. Reg. No.: **DM/218421**
Int. Reg. Date: **Dec. 13, 2021**
Int. Reg. Pub. Date: **Jan. 28, 2022**
(51) **LOC (14) Cl.** **28-03**
(52) **U.S. Cl.**
USPC **D24/215**
(58) **Field of Classification Search**
USPC D24/215, 200, 211, 212, 213, 214, 133,
D24/107, 231, 184, 209, 206, 141, 105
CPC A61H 19/00; A61H 19/30; A61H 19/32;
A61H 19/34; A61H 19/44; A61H 19/40;
A61H 19/50; A61H 21/00; A61H
2205/085; A61H 2205/087
See application file for complete search history.

(56) **References Cited**
U.S. PATENT DOCUMENTS
D434,506 S * 11/2000 Jordan D24/206
6,547,718 B1 * 4/2003 Yasue A61F 5/41
600/38
6,863,649 B2 * 3/2005 Yasue A61H 19/50
600/38
D566,289 S * 4/2008 Tasker D24/215

OTHER PUBLICATIONS

Iku Joy—Strawberry Red. Date: Not listed. [online]. [Site visited
Nov. 9, 2022]. Available from Internet URL: <https://www.iku.world/en/iku-joy/iku-joy-strawberry-red> (Year: 2022).*

(Continued)

Primary Examiner — Susan Bennett Hattan
Assistant Examiner — Landon Thomas Cassell

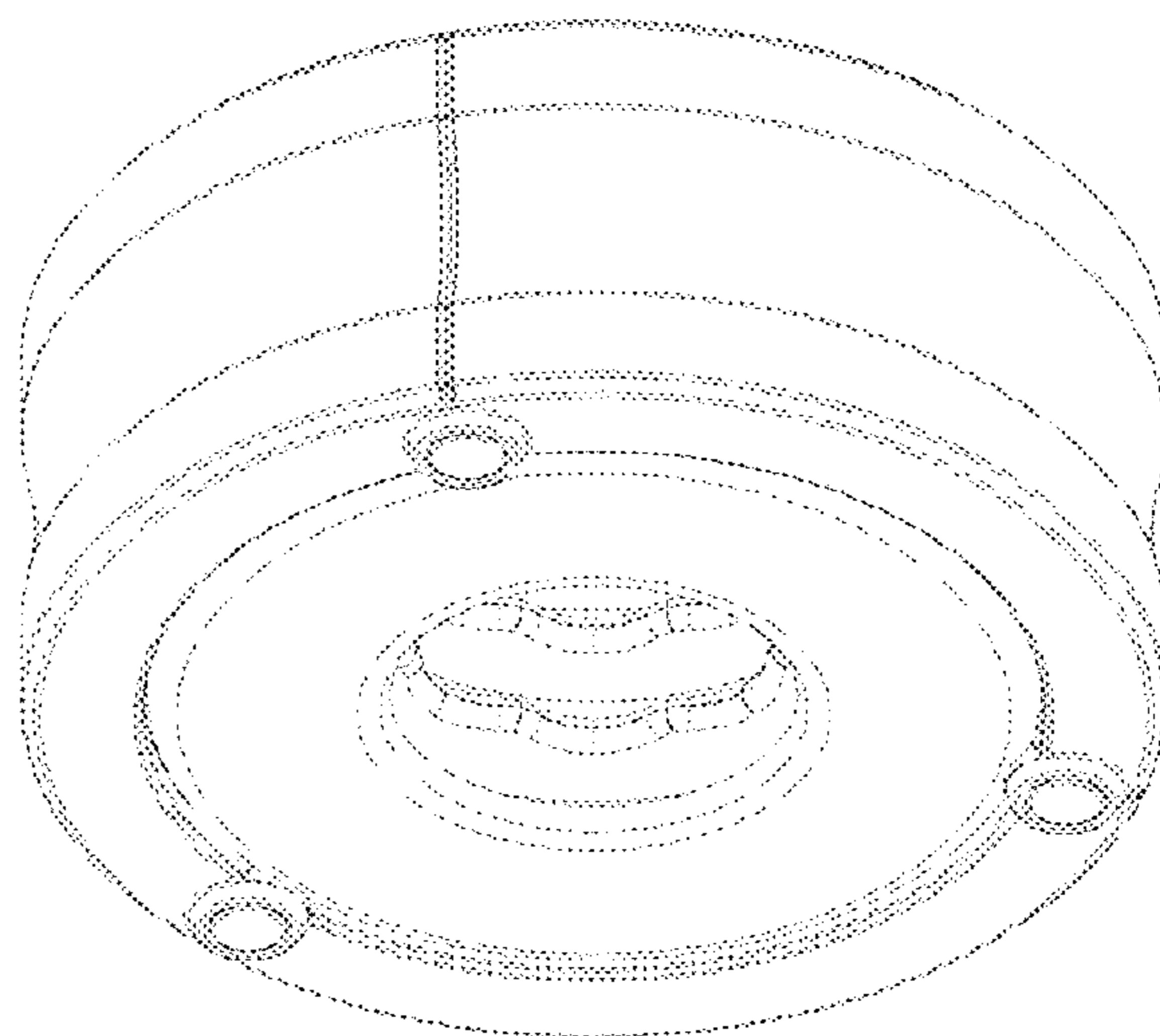
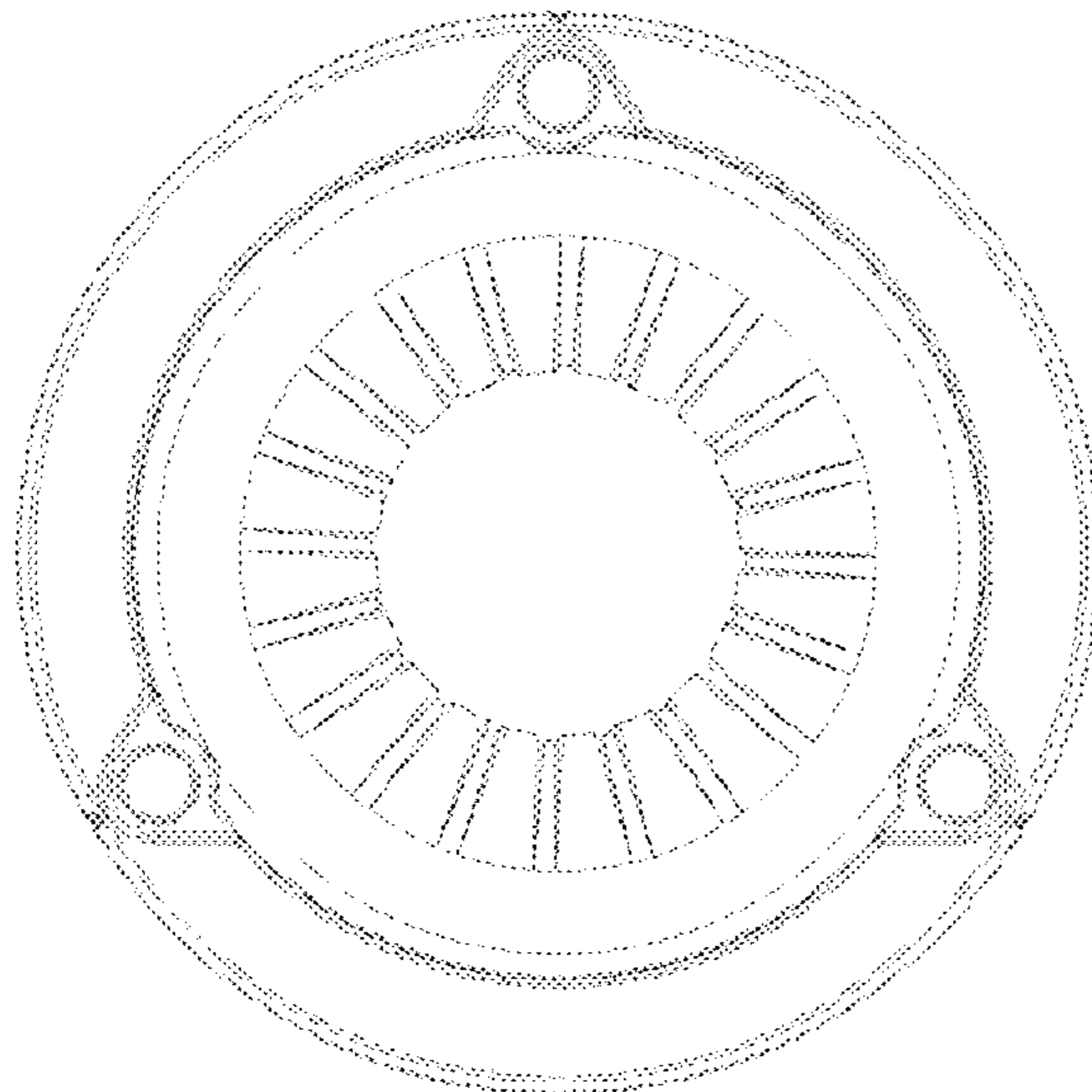
(57) **CLAIM**

The ornamental design for a sex toy, as shown and described.

DESCRIPTION

1. Sex toy
1.1 : Back
1.2 : Top
1.3 : Perspective
1.4 : Exploded
1.5 : Right
1.6 : Front
1.7 : Bottom
1.8 : Left
Modular male masturbator ring.

1 Claim, 8 Drawing Sheets



(56)

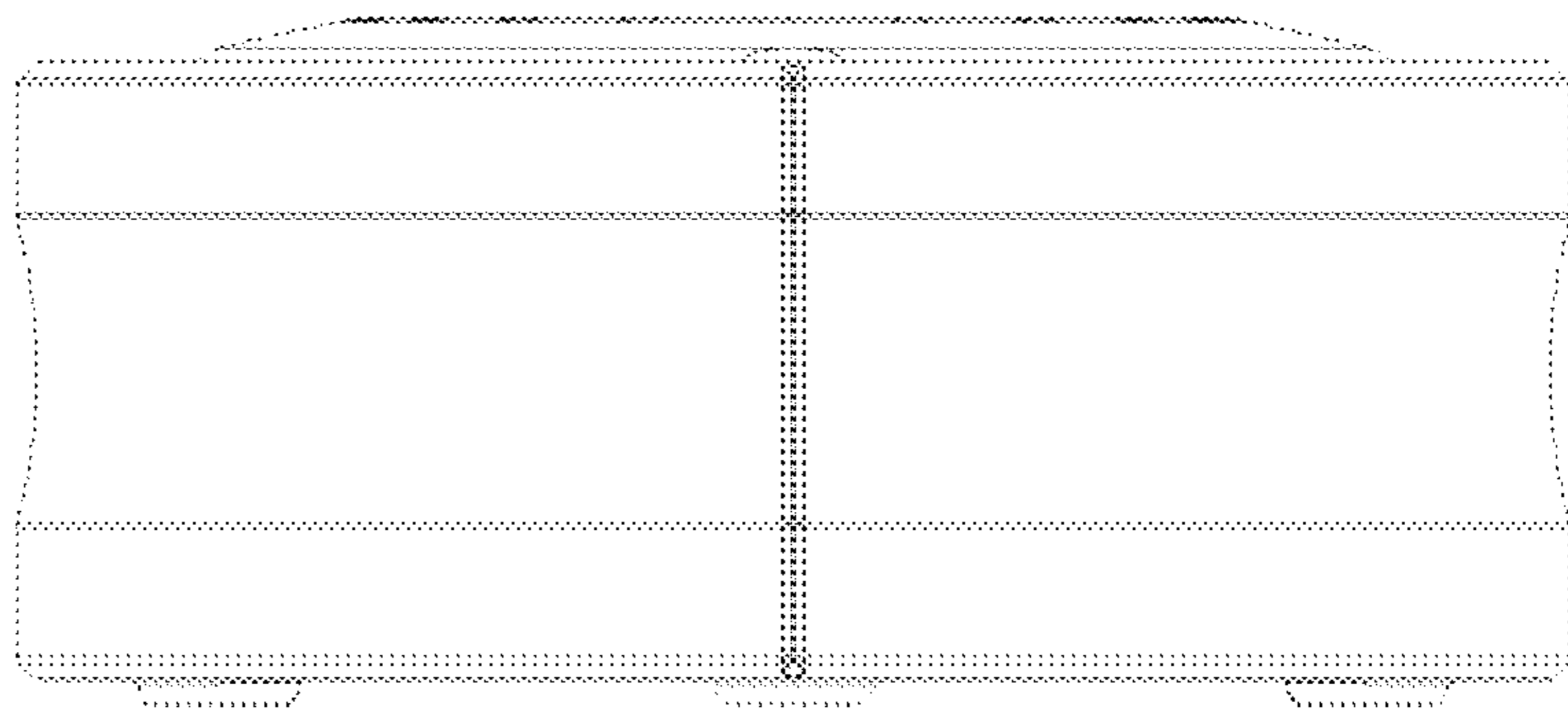
References Cited

OTHER PUBLICATIONS

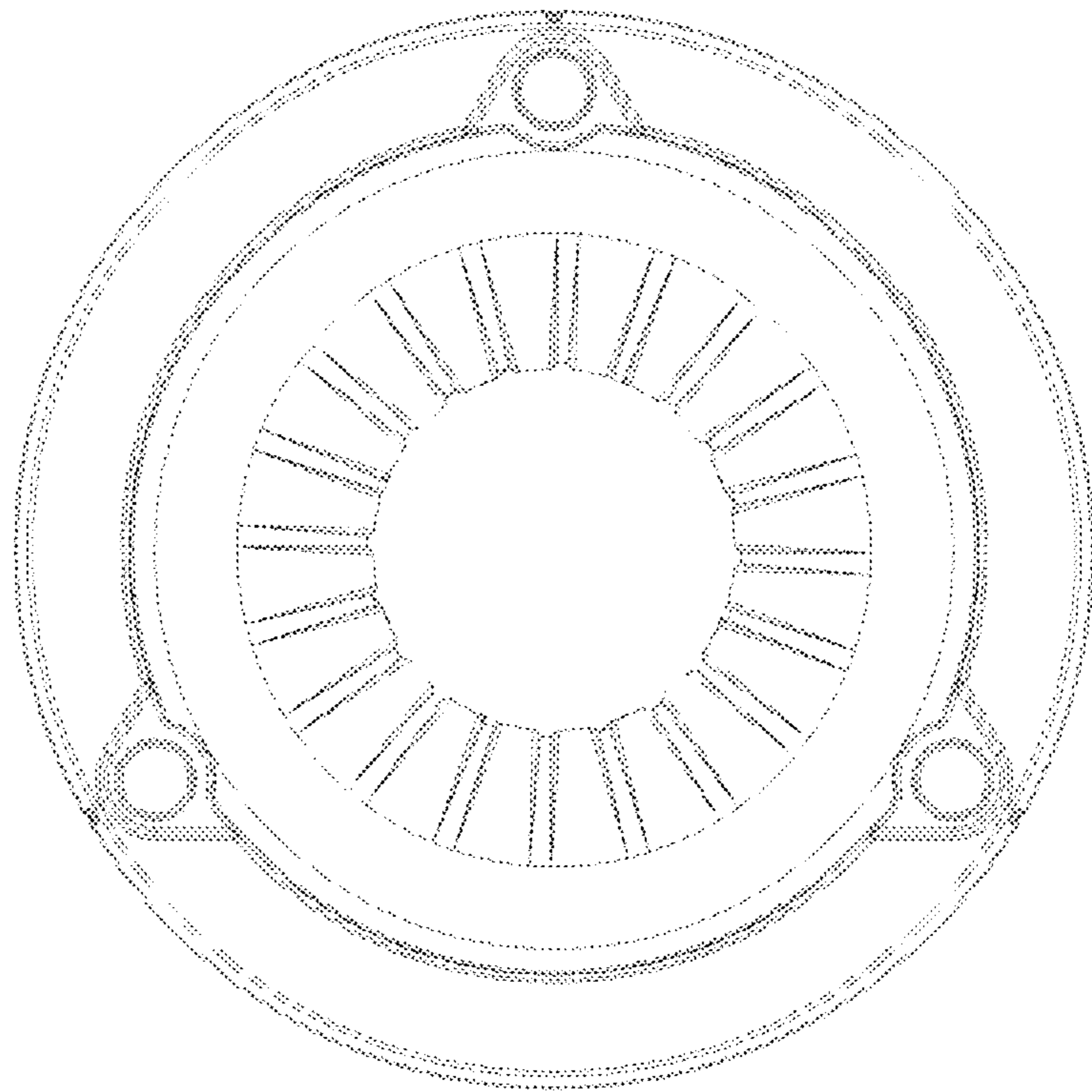
Sex toys. (Design—© Questel) orbit.com. [Online PDF compilation of references] 27 pgs. Print Dates Range Dec. 23, 2019-May 10, 2022 [Retrieved Nov. 9, 2022] <https://www.orbit.com/export/UCZAH96B/pdf4/e43c5507-6ca1-436a-8974-2e54808cab54-205004.pdf> (Year: 2022).*

* cited by examiner

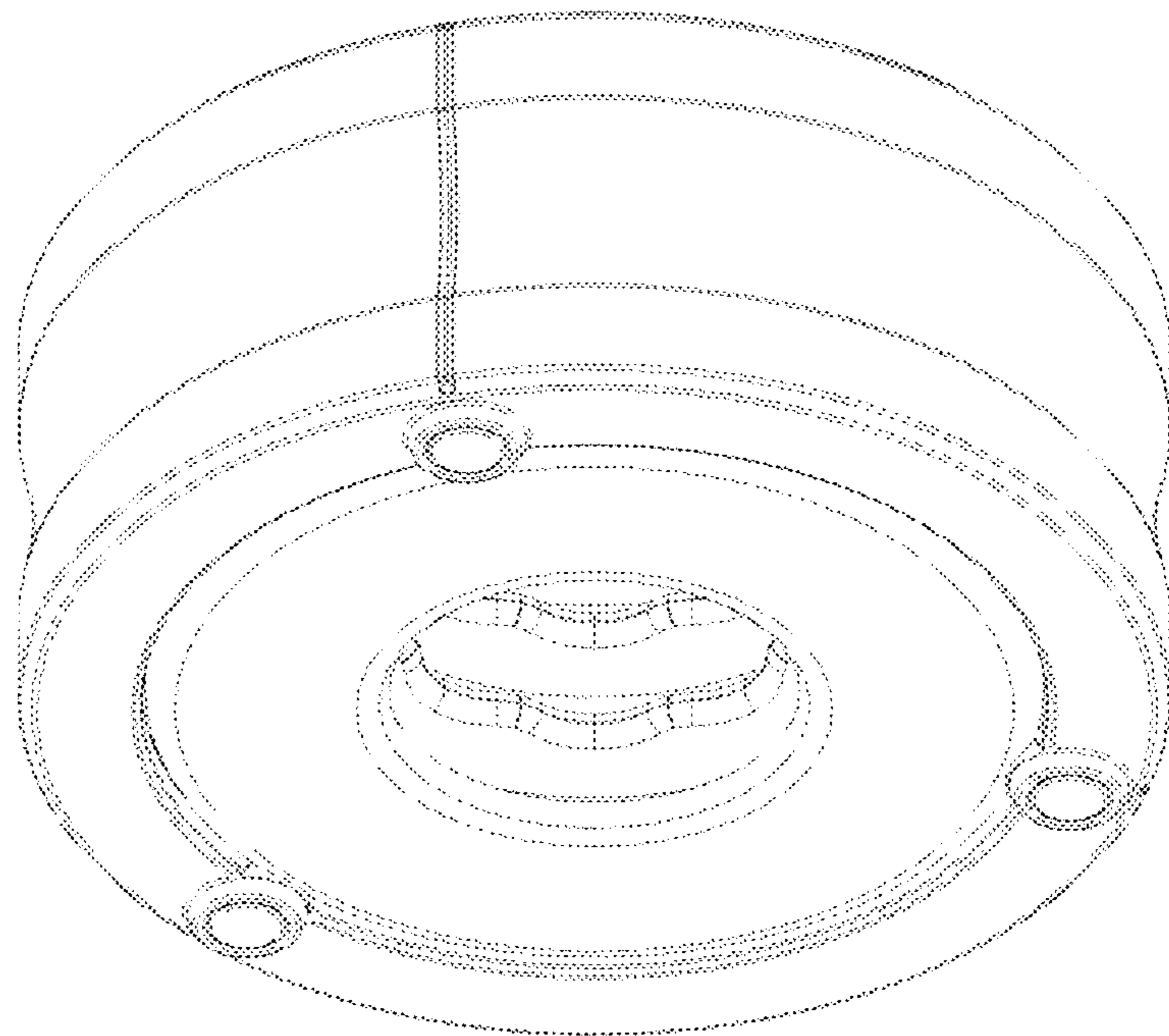
1.1



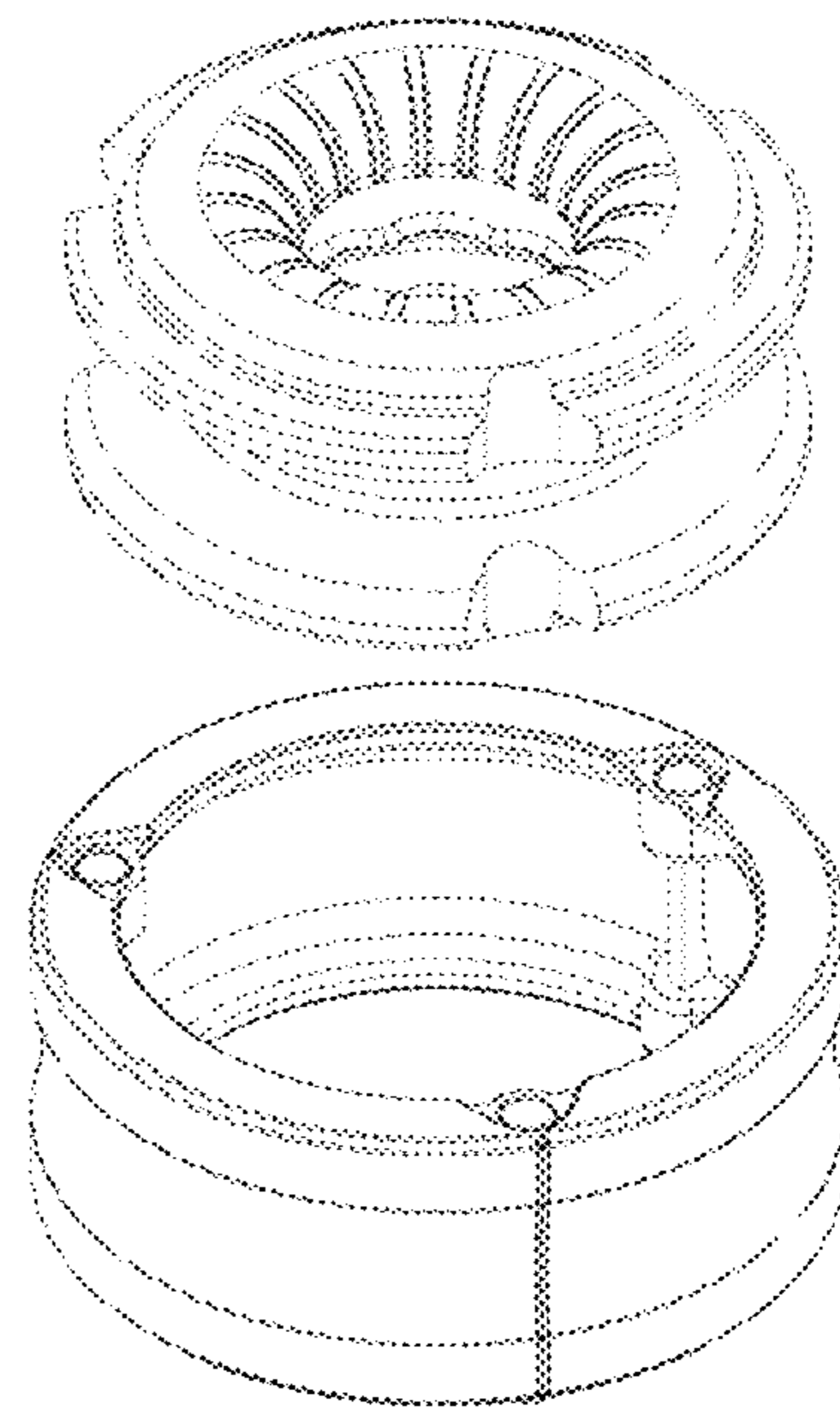
1.2



1.3



1.4



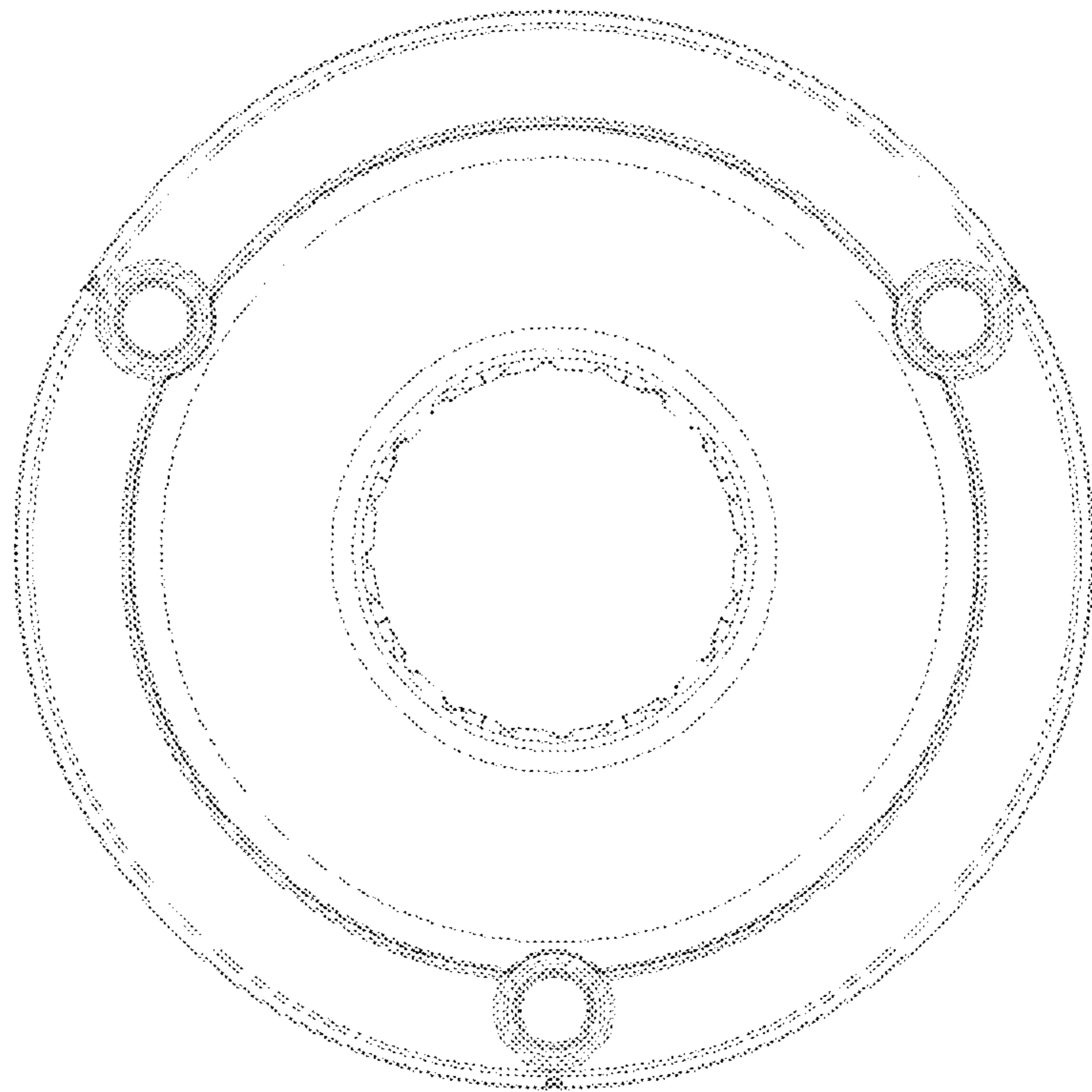
1.5



1.6



1.7



1.8

