



US00D981584S

(12) **United States Design Patent**
Zhang

(10) **Patent No.:** **US D981,584 S**
(45) **Date of Patent:** **** Mar. 21, 2023**

- (54) **MESSAGE APPARATUS**
- (71) Applicant: **Sichuan Qianli-beoka Medical Technology Inc.**, Sichuan (CN)
- (72) Inventor: **Wen Zhang**, Chengdu (CN)
- (73) Assignee: **Sichuan Qianli-beoka Medical Technology Inc.**
- (**) Term: **15 Years**
- (21) Appl. No.: **29/779,657**
- (22) Filed: **Apr. 20, 2021**
- (51) **LOC (14) Cl.** **24-01**
- (52) **U.S. Cl.**
USPC **D24/215**
- (58) **Field of Classification Search**
USPC D24/200, 211, 212, 213, 214, 215;
D8/14.1; D28/13
CPC A61H 15/02; A61H 1/008; A61H
2201/1635; A61H 1/006; A61H 15/00;
A61H 23/0263; A61H 15/0085
See application file for complete search history.

| | | | |
|--------------|--------|--------------|---------|
| D949,412 S * | 4/2022 | Chen | D24/215 |
| D953,556 S * | 5/2022 | Marton | D24/215 |
| D953,559 S * | 5/2022 | He | D24/215 |

OTHER PUBLICATIONS

Beokaodm, "F2 Mini Muscle Gun", Access Date: Sep. 1, 2022. <https://www.beokaodm.com/products/f2-mini-muscle-gun/> (Year: 2022).*

en.Pinkoi, "Beyikang F2 Mini Fascia Gun", Access Date: Sep. 1, 2022. <https://en.pinkoi.com/product/eqzaqeN6> (Year: 2022).*

* cited by examiner

Primary Examiner — Michael A Maharajh
(74) *Attorney, Agent, or Firm* — Timothy T. Wang; Ni, Wang & Massand, PLLC

(57) **CLAIM**

The ornamental design a massage apparatus, as shown and described.

DESCRIPTION

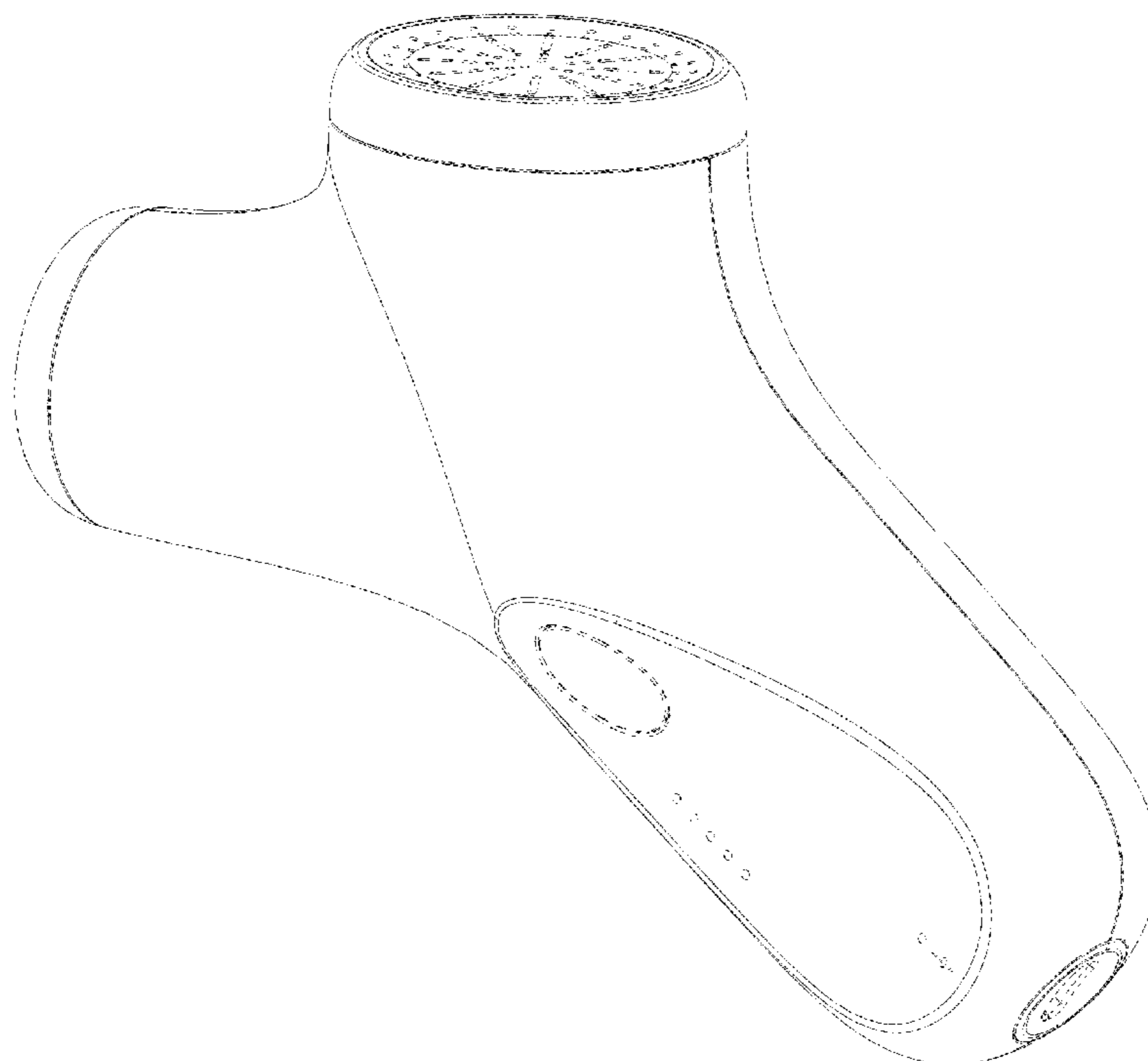
FIG. 1 is a perspective view of a massage apparatus showing my new design;
FIG. 2 is a front elevational view thereof;
FIG. 3 is a back elevational view thereof;
FIG. 4 is a right-side elevational view thereof;
FIG. 5 is a left-side elevational view thereof;
FIG. 6 is a top plan view thereof; and,
FIG. 7 is a bottom plan view thereof.
The broken lines shown in the figures are for the purpose of illustrating portions of the massage apparatus, which form no part of the claimed design.

1 Claim, 7 Drawing Sheets

(56) **References Cited**

U.S. PATENT DOCUMENTS

| | | | |
|--------------|---------|----------------|---------|
| D403,075 S * | 12/1998 | Lie | D24/215 |
| D918,411 S * | 5/2021 | Xu | D24/215 |
| D925,758 S * | 7/2021 | Xu | D24/215 |
| D932,045 S * | 9/2021 | Shen | D24/215 |
| D937,431 S * | 11/2021 | Li | D24/215 |
| D946,779 S * | 3/2022 | Ren | D24/215 |
| D949,400 S * | 4/2022 | Wersland | D24/215 |
| D949,411 S * | 4/2022 | Chen | D24/215 |



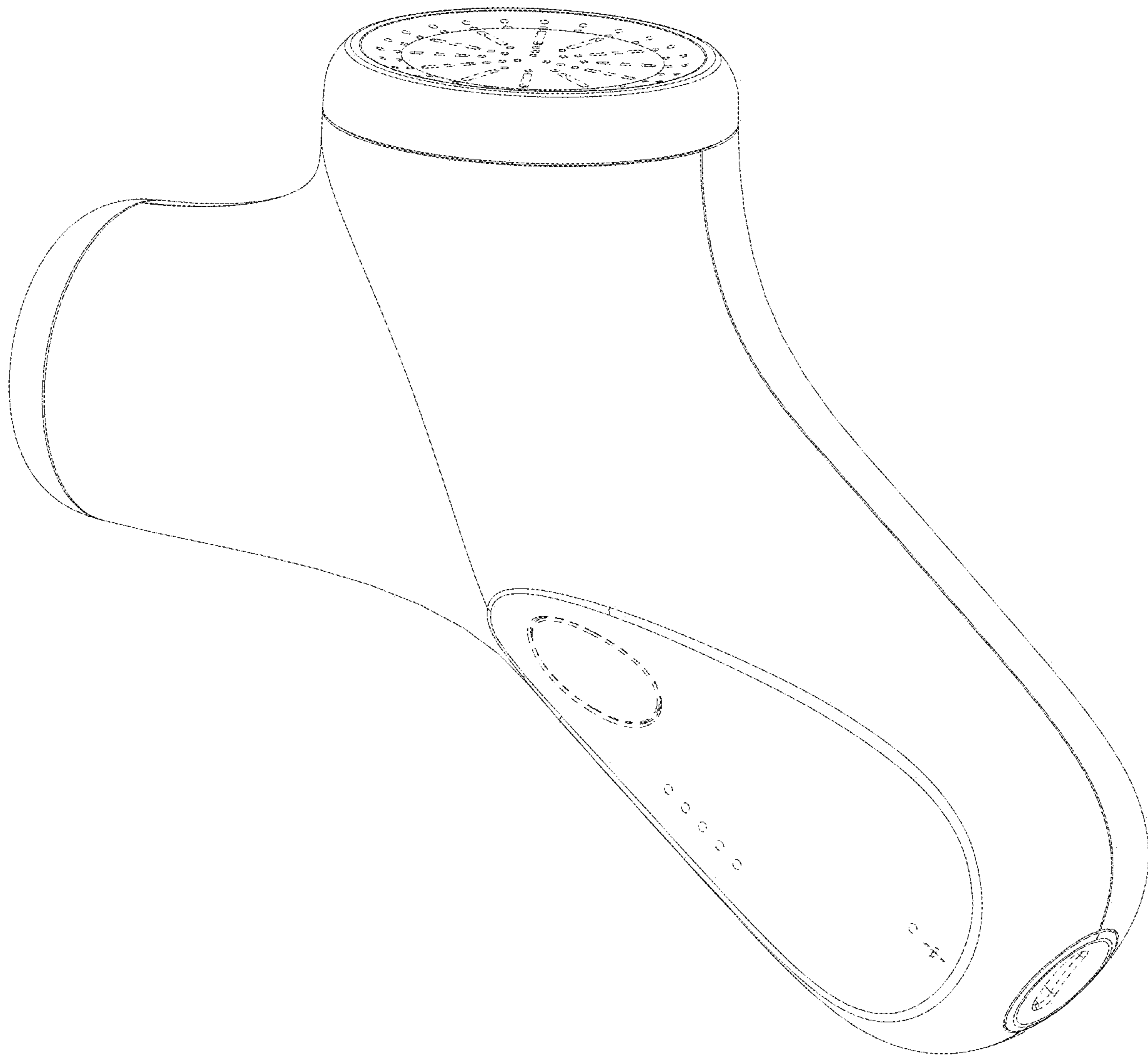


FIG. 1

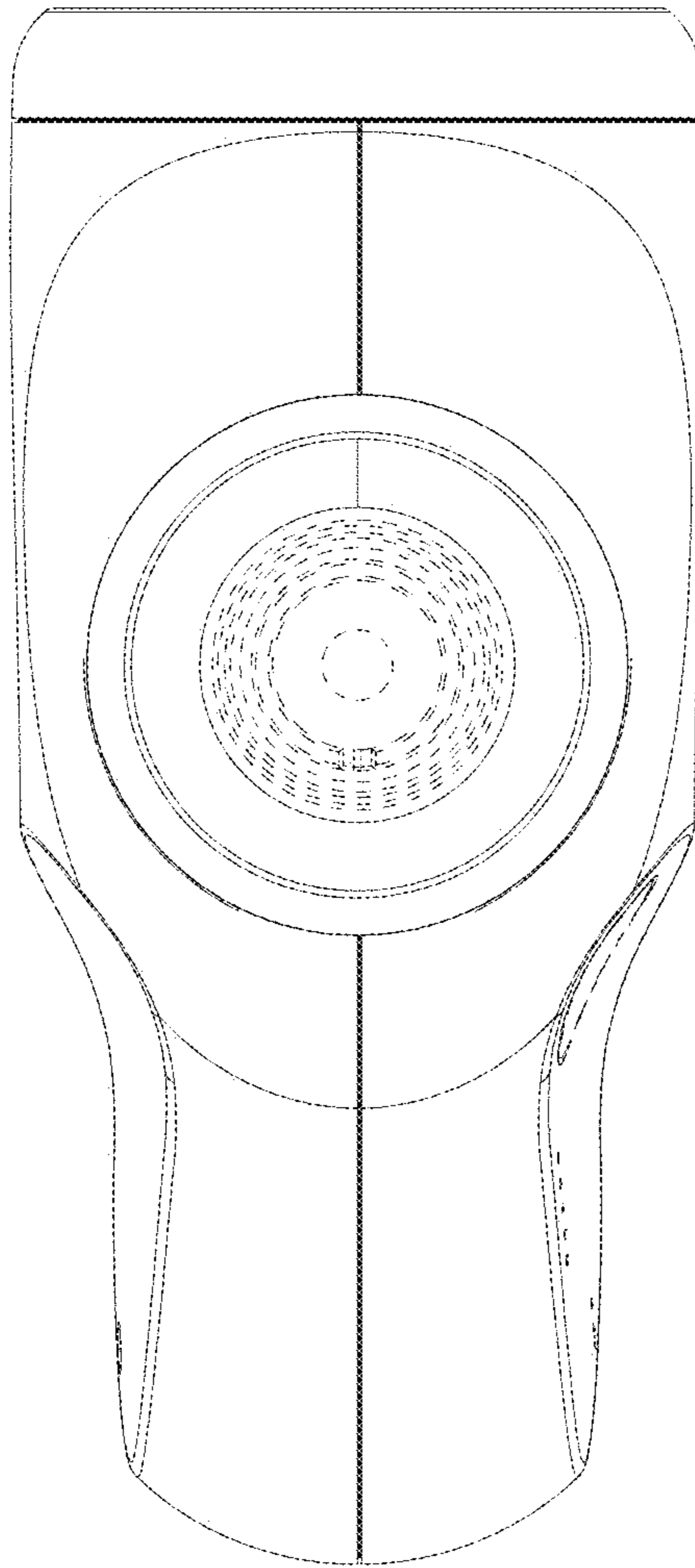


FIG. 2

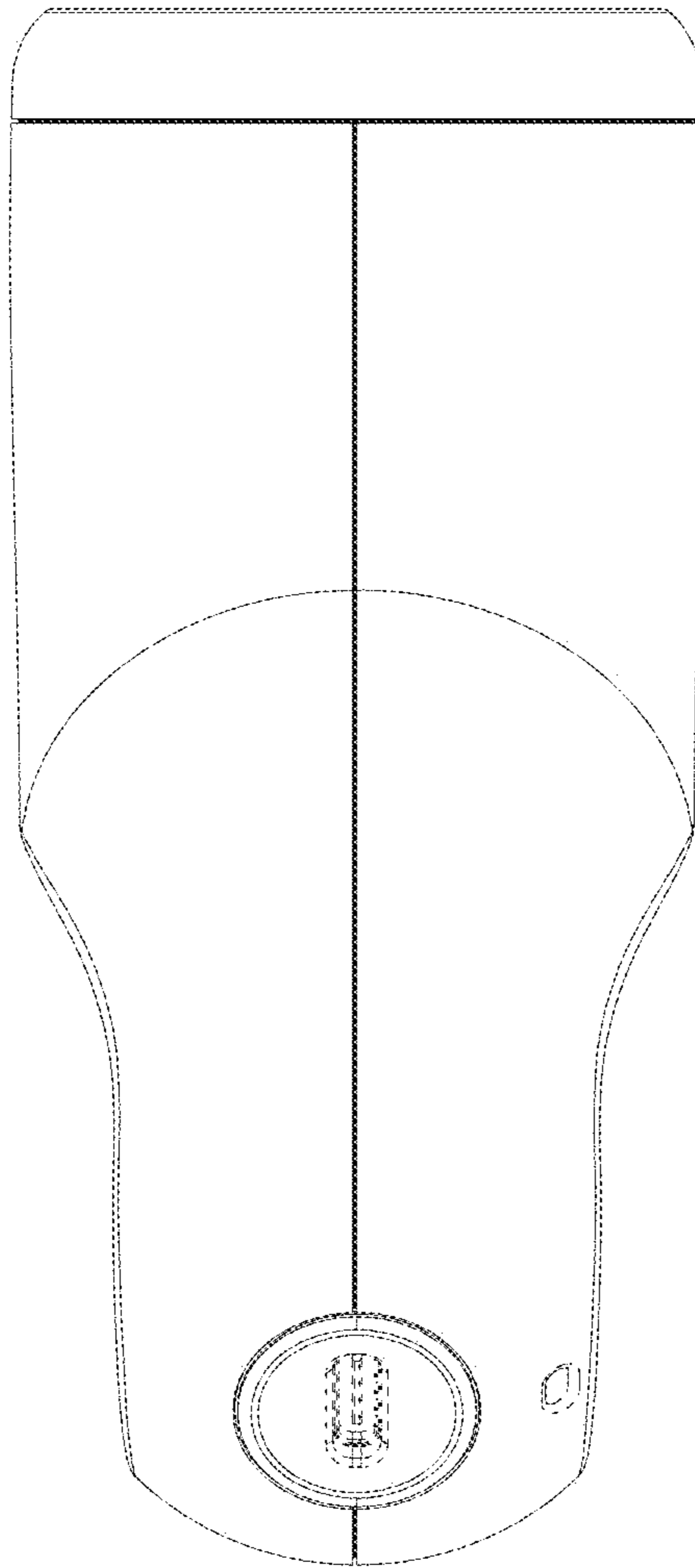


FIG. 3

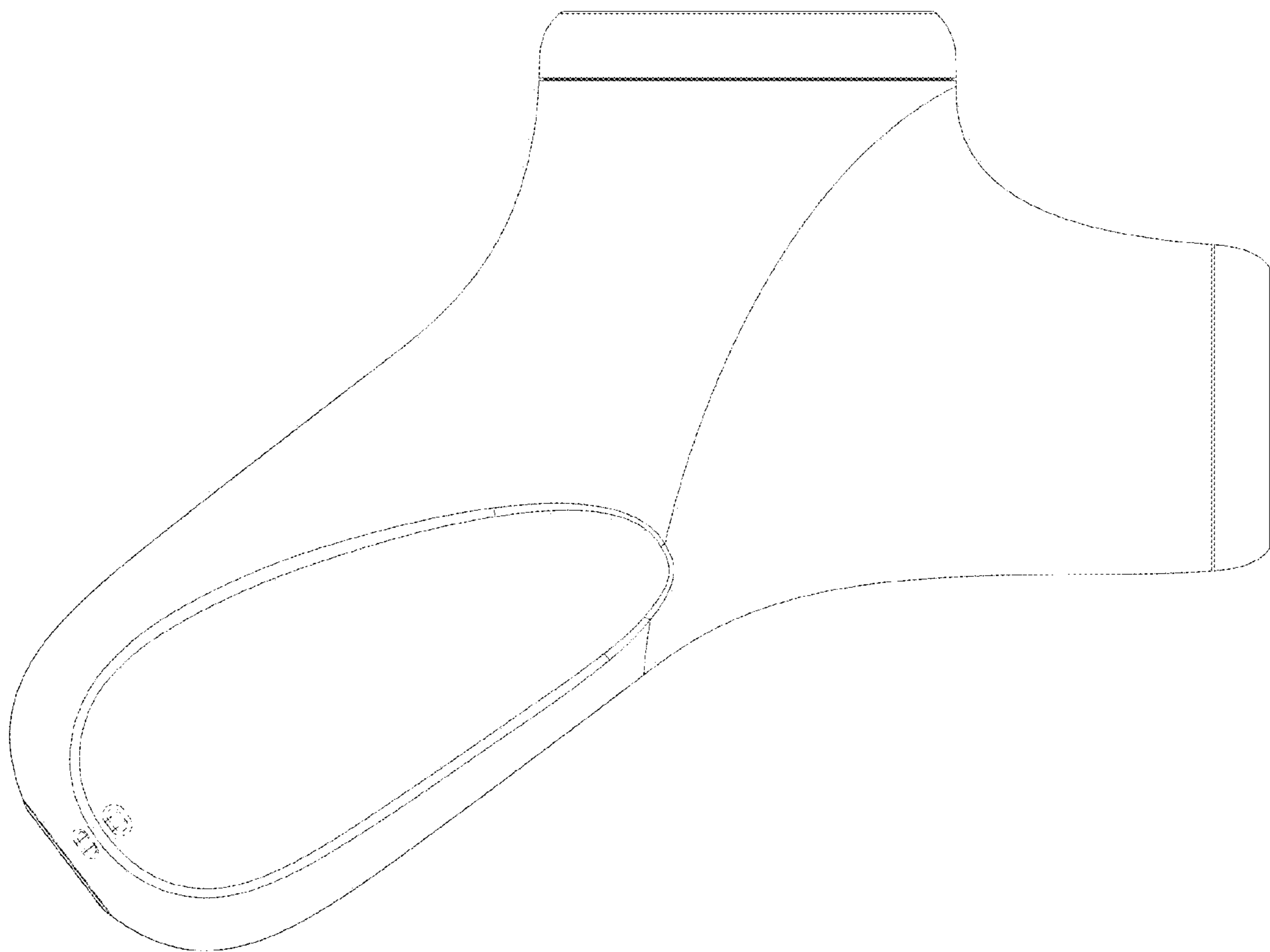


FIG. 4

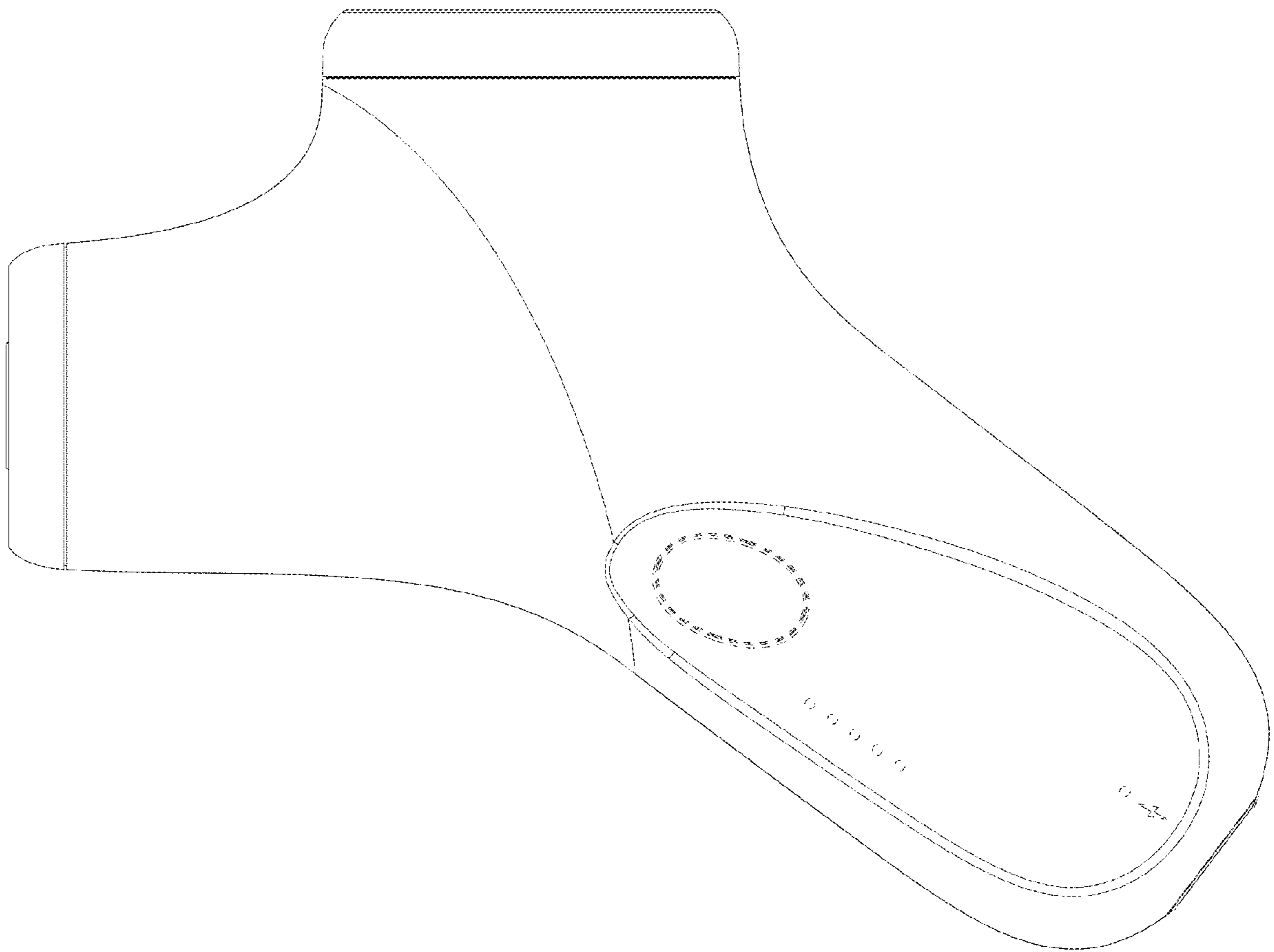


FIG. 5

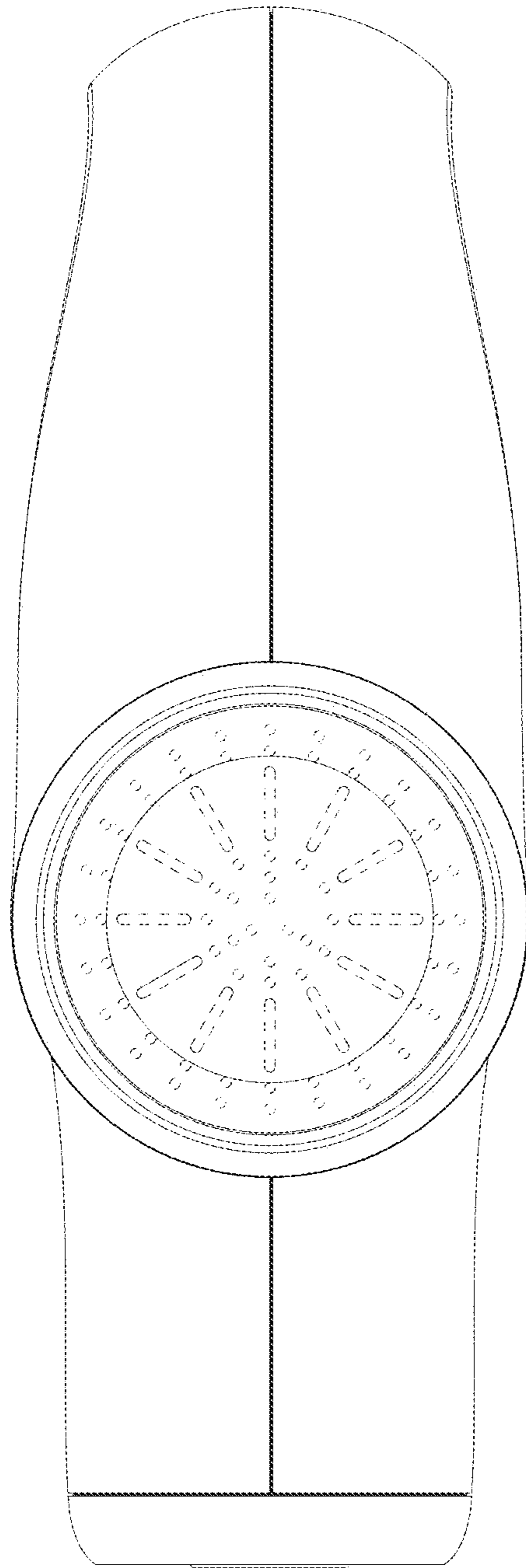


FIG. 6

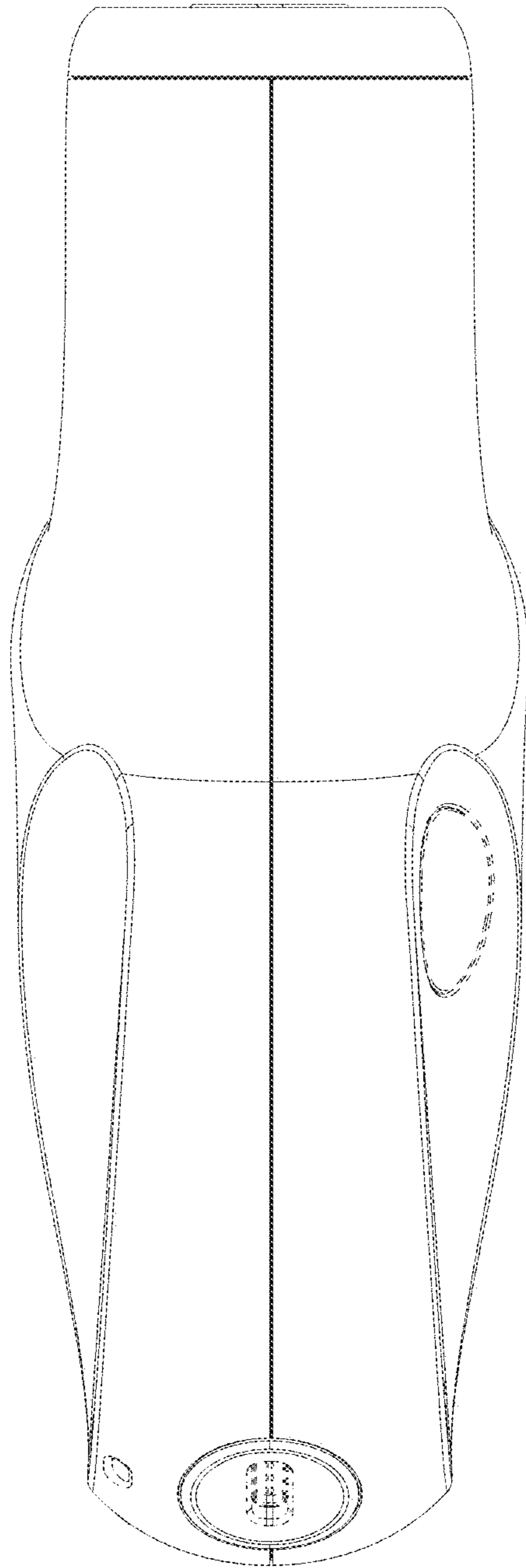


FIG. 7