



US00D981581S

(12) **United States Design Patent** (10) **Patent No.:** **US D981,581 S**
Smith et al. (45) **Date of Patent:** **** Mar. 21, 2023**

(54) **ARCHED MESSAGE HEAD**

FOREIGN PATENT DOCUMENTS

(71) Applicants: **William Smith**, Vero Beach, FL (US);
Cameron Smith, Steamboat Springs,
CO (US); **Dominic Rainville**,
Sainte-Julie (CA)

CN 304550361 * 3/2018
KR 300811313.0000 * 8/2015

(72) Inventors: **William Smith**, Vero Beach, FL (US);
Cameron Smith, Steamboat Springs,
CO (US); **Dominic Rainville**,
Sainte-Julie (CA)

OTHER PUBLICATIONS

“Rogue: PSO-Rite”. Found online at Rougefitness.com. Jul. 28,
2022. Reference dated Jul. 2019. Retrieved from https://www.rougefitness.com/pso-rite-night-black?gclid=EAIaIQobChMI3bC3vZWc-QIVtey1Ch3ZsQvnEAKYASABEgKPQvD_BwE.*

(**) Term: **15 Years**

(Continued)

(21) Appl. No.: **29/772,188**

Primary Examiner — Kendra Leslie Hamilton

(22) Filed: **Feb. 26, 2021**

Assistant Examiner — Elizabeth S Struble

(74) *Attorney, Agent, or Firm* — Tope-McKay &
Associates

Related U.S. Application Data

(63) Continuation of application No. 17/180,654, filed on
Feb. 19, 2021.

(51) **LOC (14) Cl.** **28-03**

(52) **U.S. Cl.**
USPC **D24/215**

(58) **Field of Classification Search**
USPC D24/200, 211, 212, 213, 214, 215;
D28/12, 13; D8/14.1, 16
CPC A61H 7/004; A61H 15/0092; A61H 15/00;
A61H 23/00; A61H 23/002; A61H 23/006
See application file for complete search history.

(57) **CLAIM**

The ornamental design for an arched massage head, as
shown and described.

DESCRIPTION

FIG. 1 is a top, perspective view of an arched massage head;
FIG. 2 is a bottom, perspective view thereof;
FIG. 3 is a right elevation view thereof;
FIG. 4 is a left elevation view thereof;
FIG. 5 is a back elevation view thereof;
FIG. 6 is a front elevation view thereof;
FIG. 7 is a top plan view thereof;
FIG. 8 is a bottom plan view thereof; and,
FIG. 9 is a top, perspective view shown in condition of use.
The broken lines showing on the surfaces of the arched
massage head depict portions of the arched massage head
that form no part of the claimed design. The broken lines in
FIG. 9 depict environmental structure and form no part of
the claimed design. All broken lines form no part of the
claimed design.

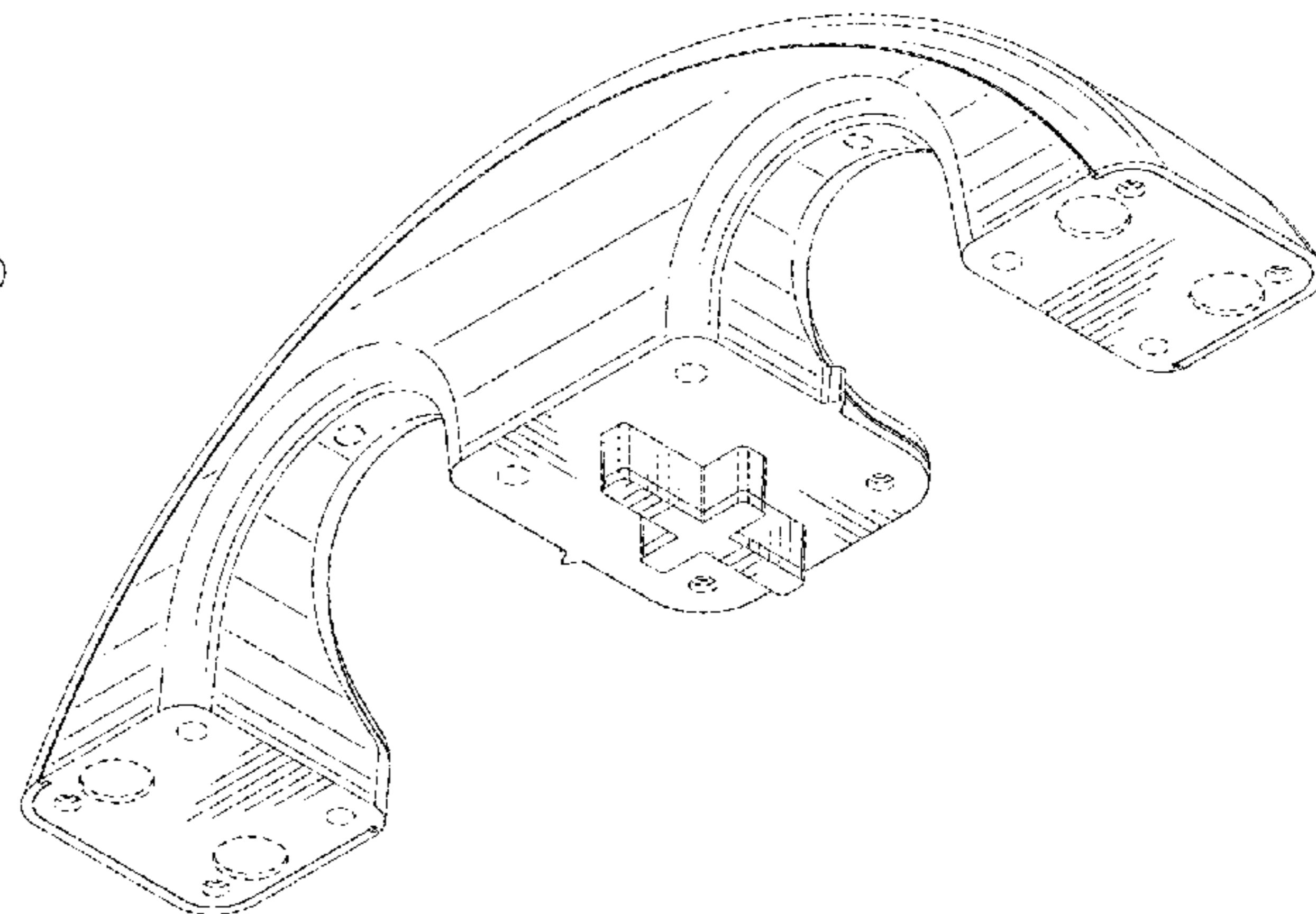
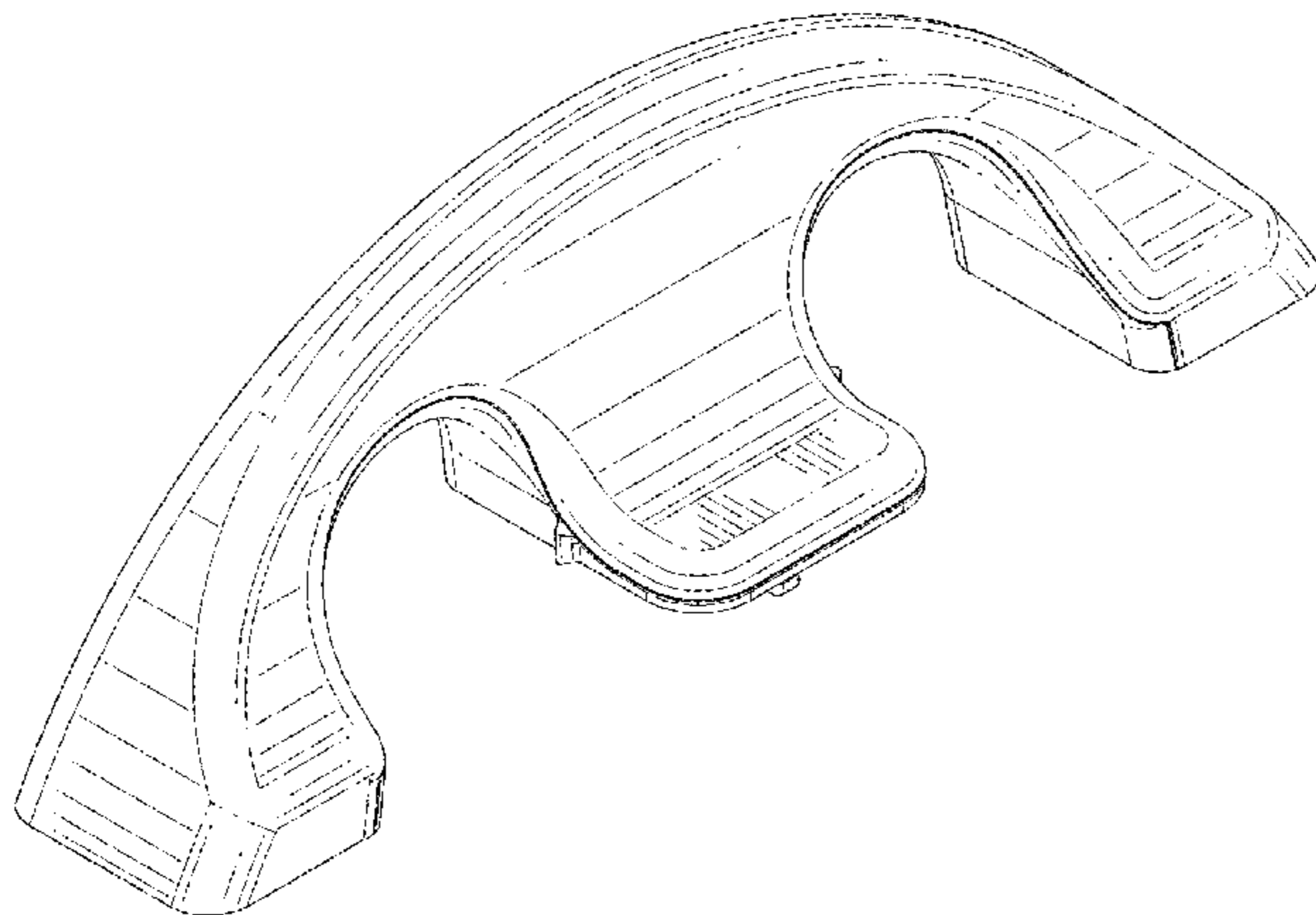
(56) **References Cited**

U.S. PATENT DOCUMENTS

D299,169 S * 12/1988 Hall D24/215
D393,931 S * 4/1998 Rue D28/61
5,769,798 A * 6/1998 Frajdenrajch A61H 15/0085
601/87
D415,858 S * 10/1999 Funatogawa D28/56
D442,696 S * 5/2001 Chen D24/211
D632,013 S * 2/2011 Irwin D28/57

(Continued)

1 Claim, 9 Drawing Sheets



(56)

References Cited

U.S. PATENT DOCUMENTS

D704,853 S * 5/2014 Morrison D24/215
D724,161 S * 3/2015 Kuhne D24/211
D762,309 S * 7/2016 Cohen D24/211
D823,479 S * 7/2018 Mollohan D24/215
D840,046 S * 2/2019 Guenst D24/215
D879,989 S * 3/2020 Mollohan D24/215
D899,617 S * 10/2020 Soutelo Gomes D24/215
D908,236 S * 1/2021 Mollohan D24/215
2016/0220442 A1* 8/2016 Wittes A61H 39/04
2020/0179222 A1* 6/2020 Quick A61N 1/322

OTHER PUBLICATIONS

“H-Brotaco: Medical Grade Stainless Steel Gua Sha”. Found online at Amazon.com. Jul. 28, 2022. Reference dated Oct. 23, 2017. Retrieved from <https://www.amazon.com/Medical-Stainless-Massage-Therapy-Shoulder/dp/B076P9CQMD/>.*

“BBTO Deep Tissue Massage Tool and Thumb Massager”. Found online at Amazon.com. Jul. 28, 2022. Reference dated Jun. 2, 2020. Retrieved from <https://www.amazon.com/Massager-Massage-Include-Protector-4-Legged/dp/B089KG3KRV/>.*

“Jumpow: Back Stretcher”. Found online at Amazon.com. Jul. 28, 2022. Reference dated Feb. 18, 2022. Retrieved from <https://www.amazon.com/Stretcher-Multi-Level-Massager-Herniated-Scoliosis/dp/B084WVMV5Q/>.*

* cited by examiner

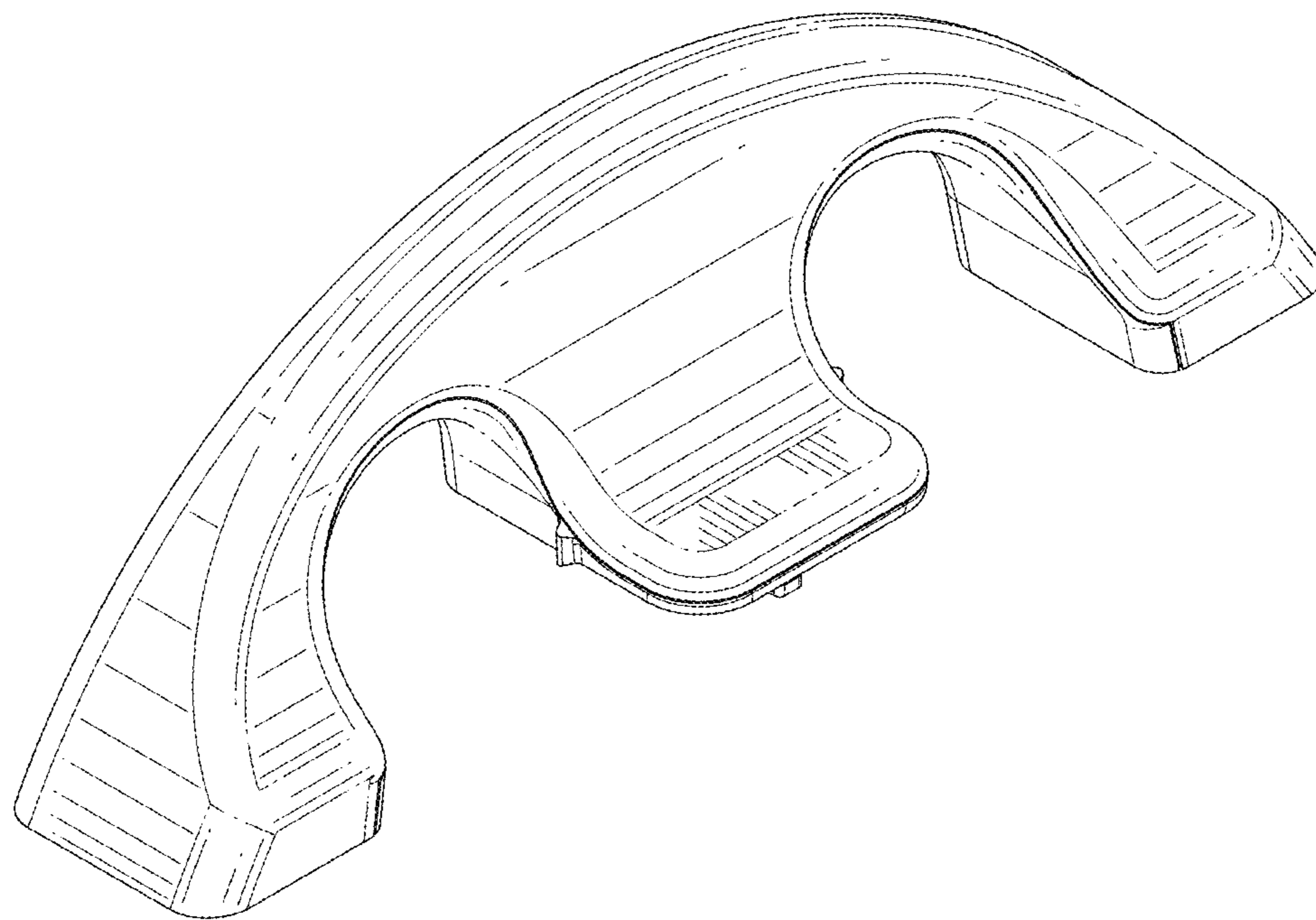


FIG. 1

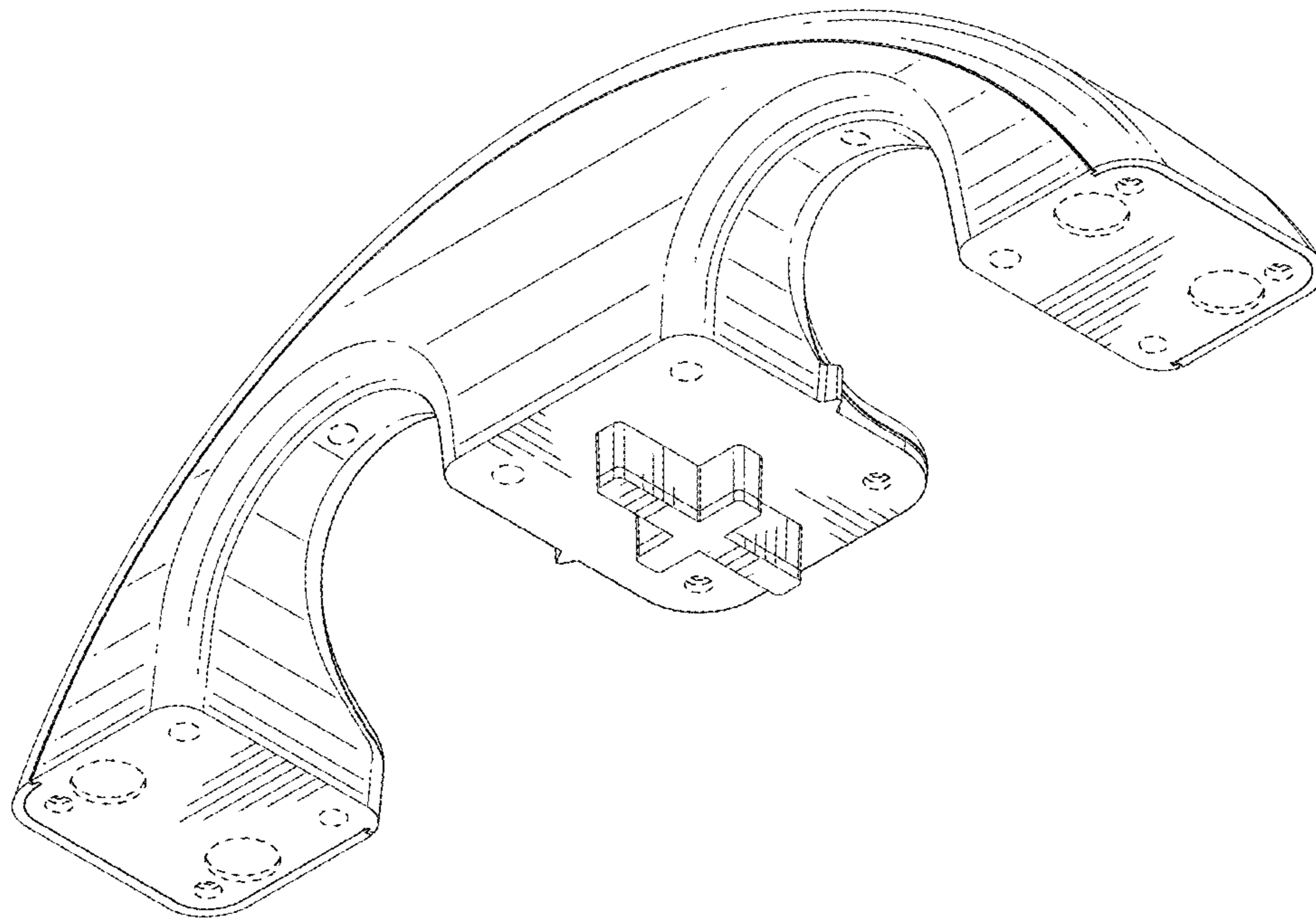


FIG. 2

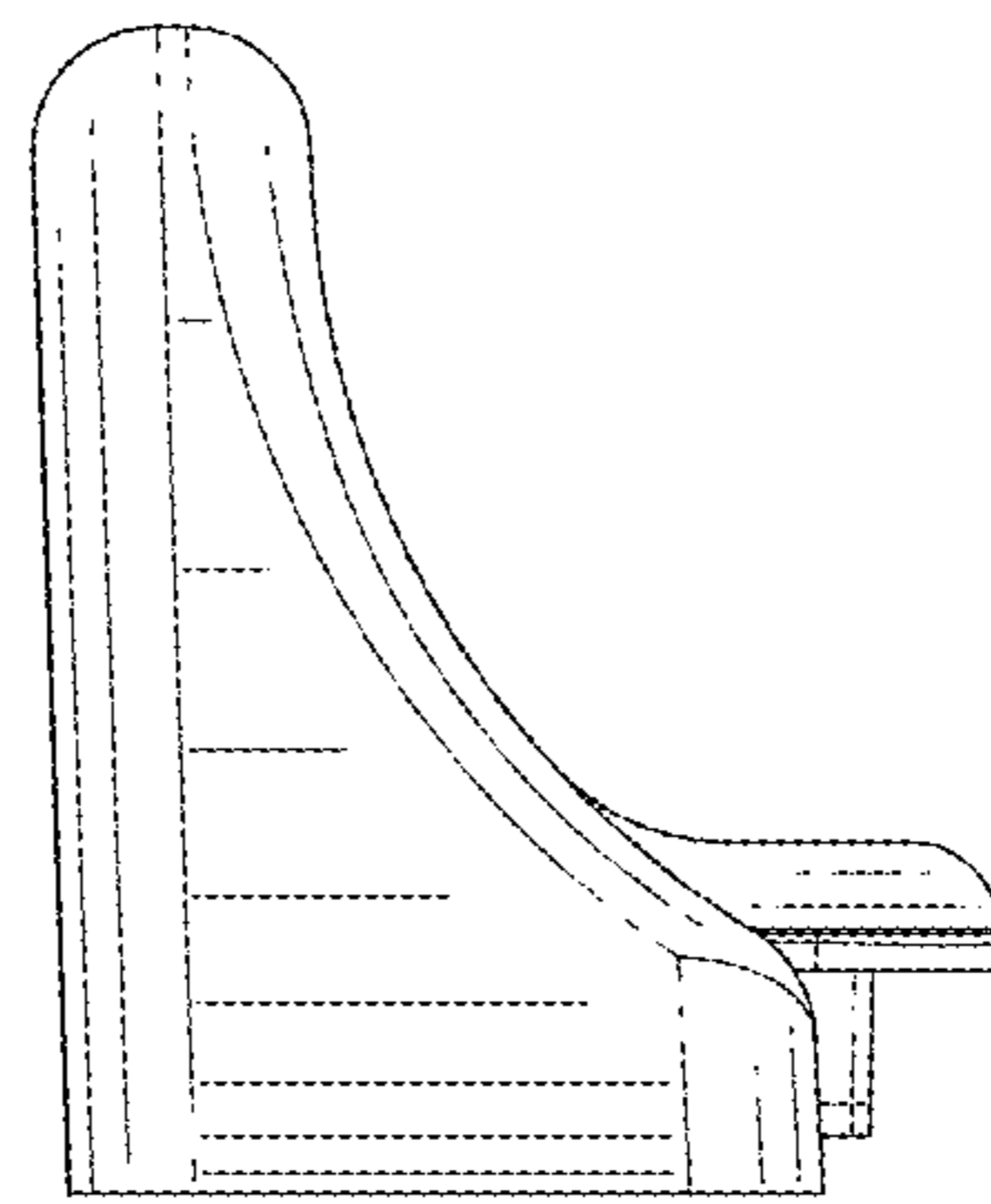


FIG. 3

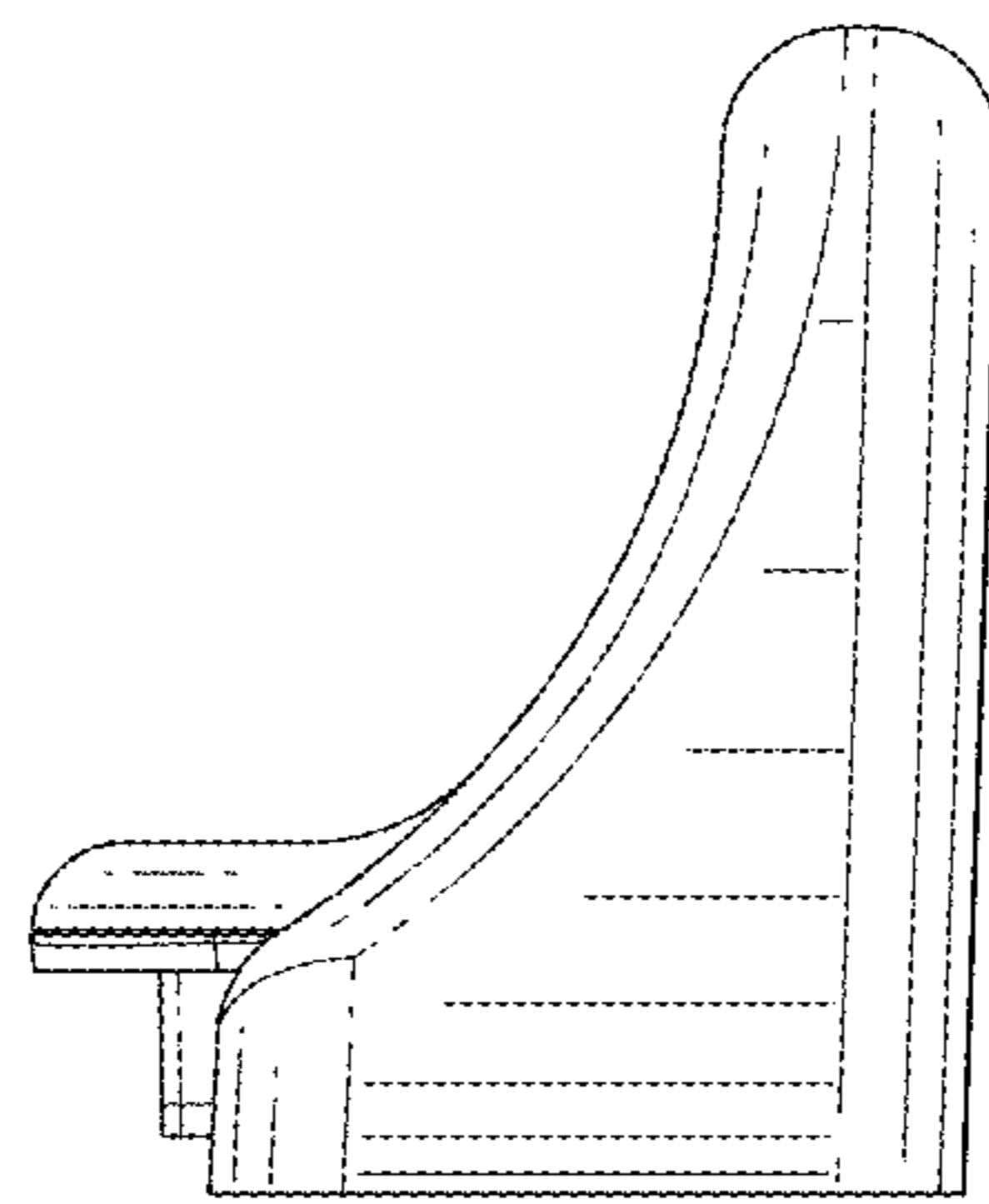


FIG. 4

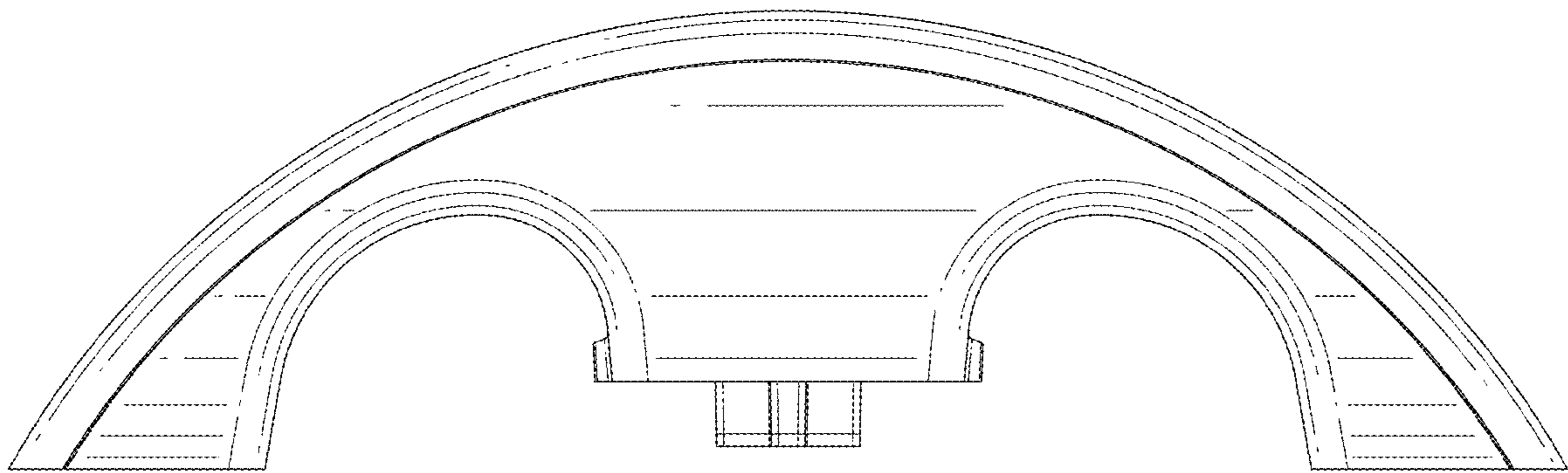


FIG.5

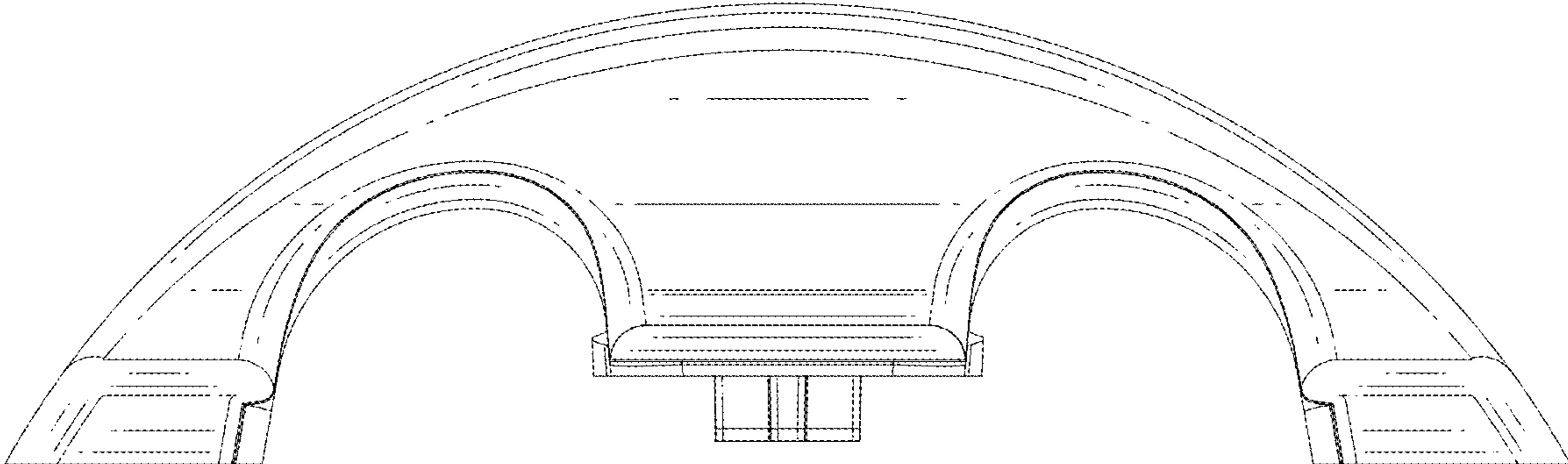


FIG. 6

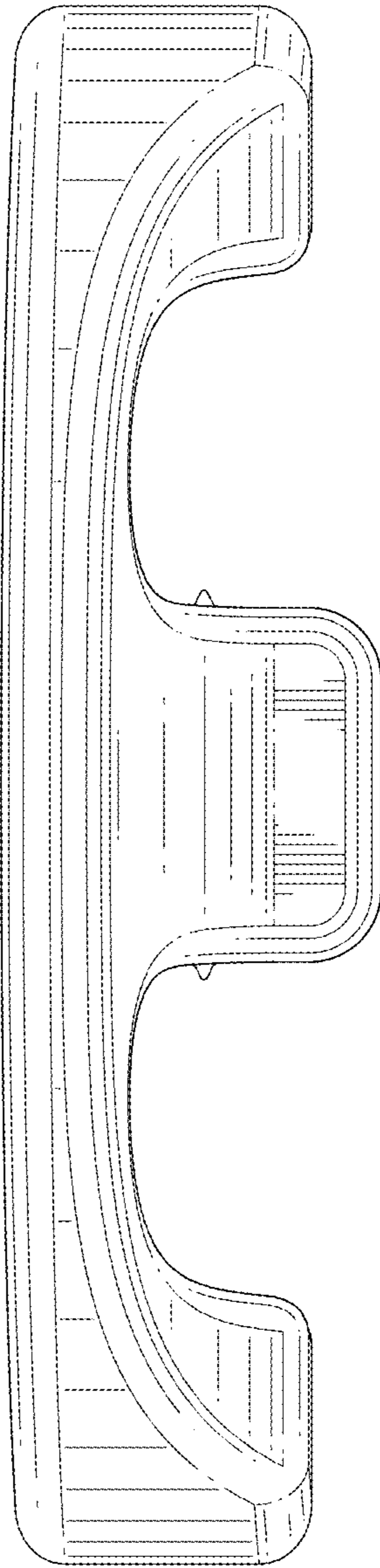


FIG. 7

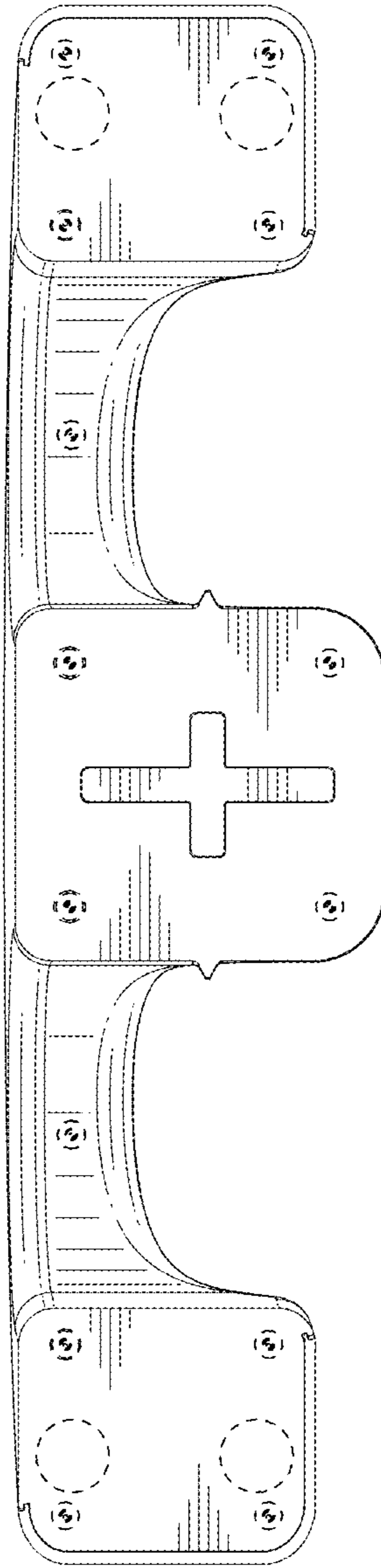


FIG. 8

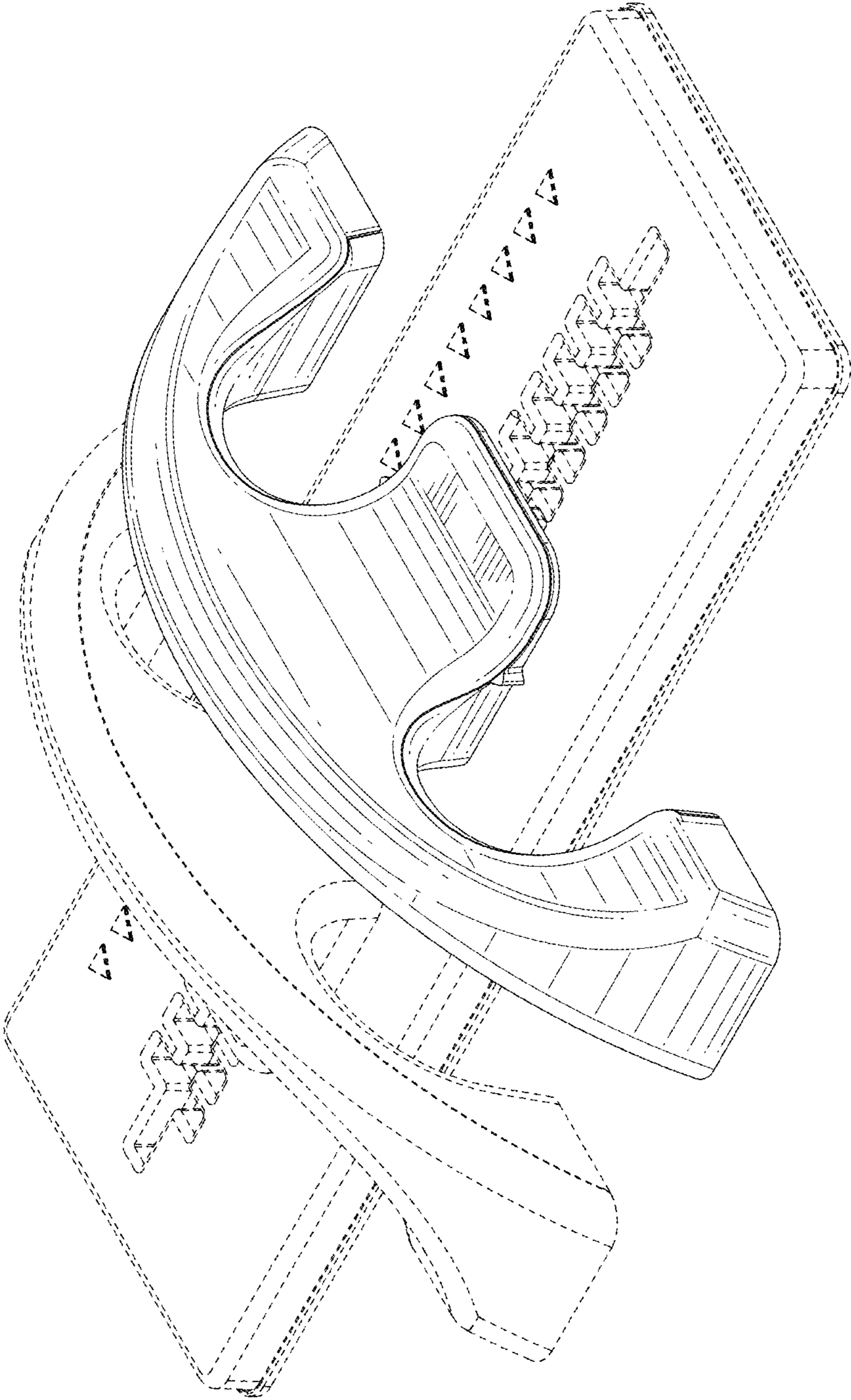


FIG. 9