



US00D981579S

(12) **United States Design Patent**  
**Hu**

(10) **Patent No.:** **US D981,579 S**  
(45) **Date of Patent:** **\*\* Mar. 21, 2023**

(54) **ADULT TOY**

D954,286 S \* 6/2022 Huang ..... D24/215  
D955,597 S \* 6/2022 Liu ..... D24/215  
D956,991 S \* 7/2022 Hu ..... D24/215

(71) Applicant: **SHENZHEN HAIMISI TECHNOLOGY CO. LTD**, Shenzhen (CN)

(72) Inventor: **Junhao Hu**, Shenzhen (CN)

(\*\*) Term: **15 Years**

(21) Appl. No.: **29/718,261**

(22) Filed: **Dec. 23, 2019**

(51) **LOC (14) Cl.** ..... **24-01**

(52) **U.S. Cl.**  
USPC ..... **D24/215**

(58) **Field of Classification Search**  
USPC ..... D24/141, 200, 211, 212, 213, 214, 215  
CPC ..... A61H 19/34; A61H 19/32; A61H 19/00;  
A61H 19/44; A61H 19/50; A61H 19/30;  
A61H 2205/087

See application file for complete search history.

(56) **References Cited**

**U.S. PATENT DOCUMENTS**

D818,143 S \* 5/2018 Cheung ..... D24/215  
D824,036 S \* 7/2018 Hu ..... D24/200  
D837,995 S \* 1/2019 Josselyn ..... D24/215  
D846,753 S \* 4/2019 Cheung ..... D24/215  
D854,180 S \* 7/2019 Pounders ..... D24/215  
D855,821 S \* 8/2019 Pounders ..... D24/215  
D868,987 S \* 12/2019 Cheung ..... D24/215  
D874,676 S \* 2/2020 Song ..... D24/215  
D890,944 S \* 7/2020 Tsang ..... D24/215  
D901,706 S \* 11/2020 Cheung ..... D24/215  
D908,231 S \* 1/2021 Ye ..... D24/200  
D911,543 S \* 2/2021 Zhang ..... D24/215  
D919,108 S \* 5/2021 Zhang ..... D24/215  
D949,375 S \* 4/2022 Liu ..... D24/215  
D950,766 S \* 5/2022 Fally ..... D24/215

**OTHER PUBLICATIONS**

Amazon, "Automatic Thrusting Vibrator" Date First Available: May 28, 2021. [https://www.amazon.com/Automatic-Thrusting-Vibrations-Connector-Attachments/dp/B0963DCSV5/ref=cm\\_cr\\_arp\\_d\\_product\\_top?ie=UTF8](https://www.amazon.com/Automatic-Thrusting-Vibrations-Connector-Attachments/dp/B0963DCSV5/ref=cm_cr_arp_d_product_top?ie=UTF8) (Year: 2021).\*

Hismith, "Stroking Automatic\_Sex Machine", Accessed Date: Oct. 13, 2022. <https://www.hismith.com/en/sex-machine/382-stroking-automatic-adjustable-rechargeable-masturbation-sex-machine.html> (Year: 2022).\*

Alibaba, "Electric Sex Dildo", Accessed Date: Oct. 13, 2022. [https://www.alibaba.com/product-detail/Powerful-electric-sex-dildo-masturbator-machine\\_1903039174.html](https://www.alibaba.com/product-detail/Powerful-electric-sex-dildo-masturbator-machine_1903039174.html) (Year: 2022).\*

\* cited by examiner

*Primary Examiner* — Michael A Maharajh  
(74) *Attorney, Agent, or Firm* — Rumit Ranjit Kanakia

(57) **CLAIM**

The ornamental design for an adult toy, as shown and described.

**DESCRIPTION**

FIG. 1 is a perspective view of an adult toy showing my new design;

FIG. 2 is another perspective view thereof;

FIG. 3 is a front view thereof;

FIG. 4 is a rear view thereof;

FIG. 5 is a right side view thereof;

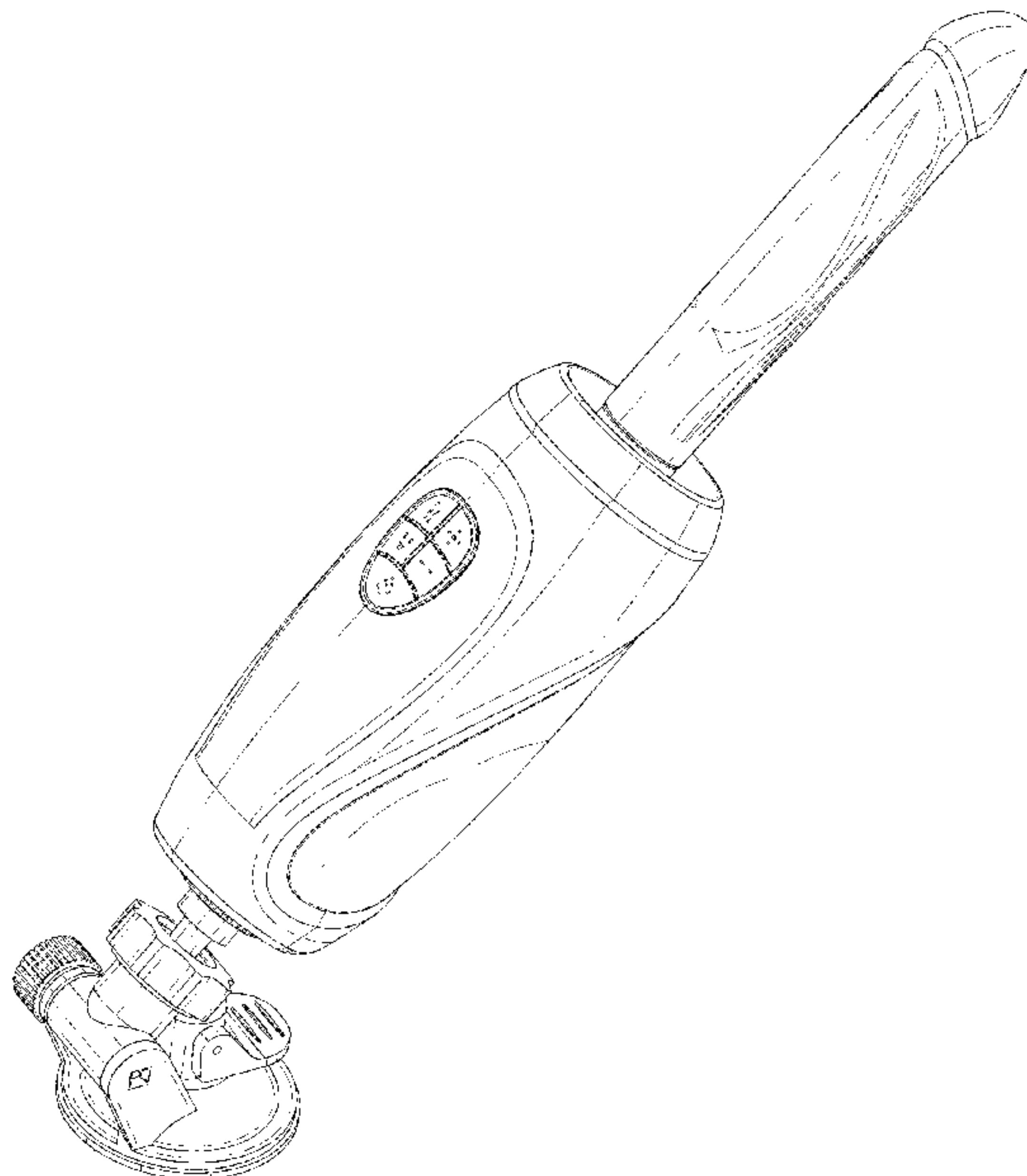
FIG. 6 is a left side view thereof;

FIG. 7 is a top view thereof; and,

FIG. 8 is a bottom view thereof.

The broken lines shown in the drawings are for the purpose of illustrating portions of the adult toy, which form no part of the claimed design.

**1 Claim, 7 Drawing Sheets**



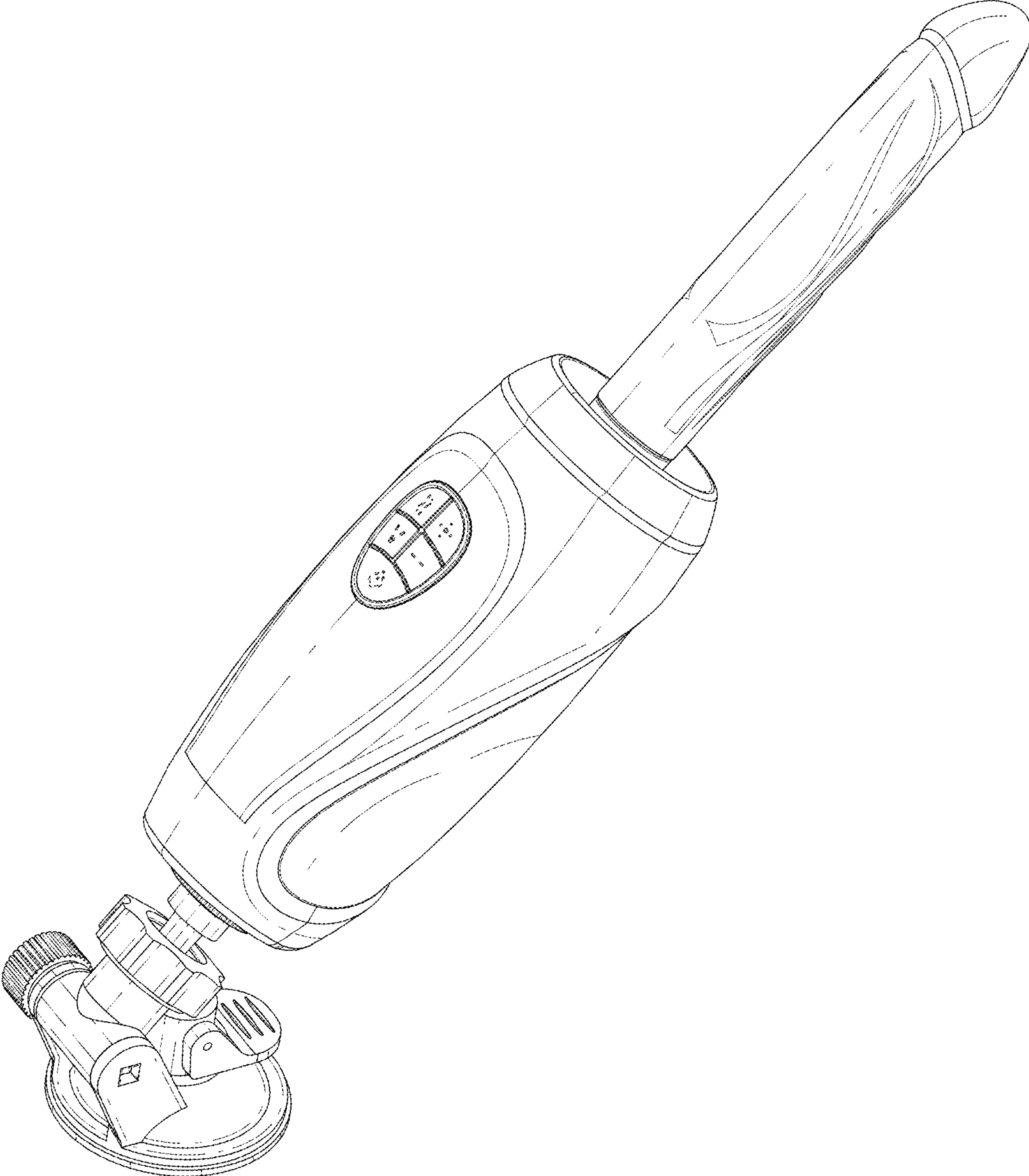


FIG. 1

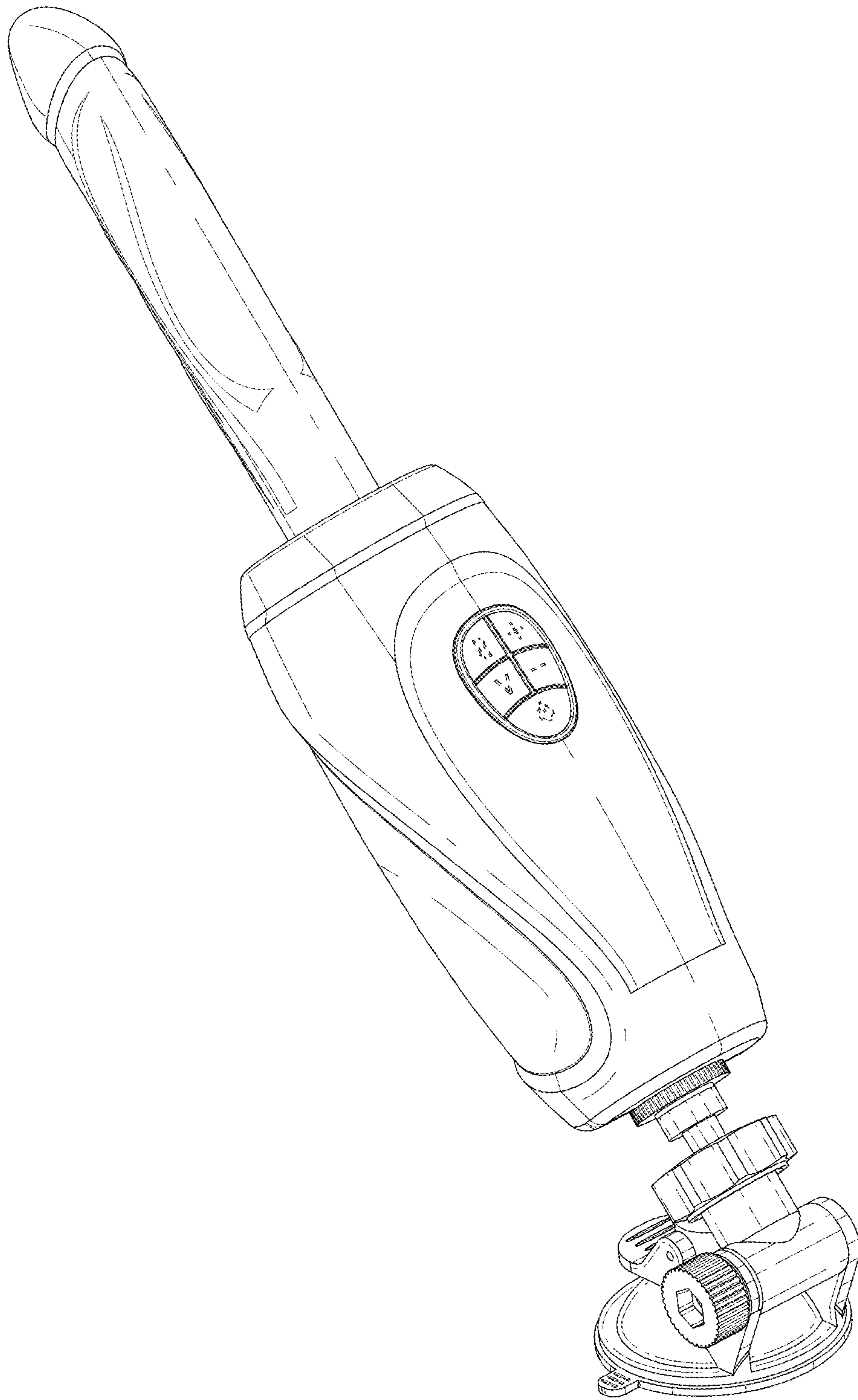


FIG. 2

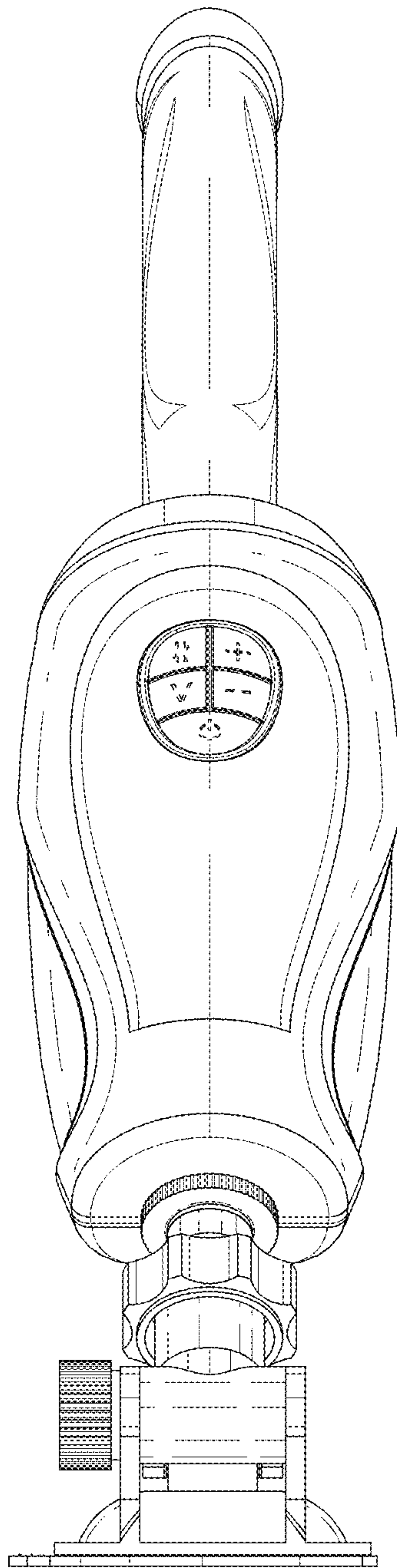


FIG. 3



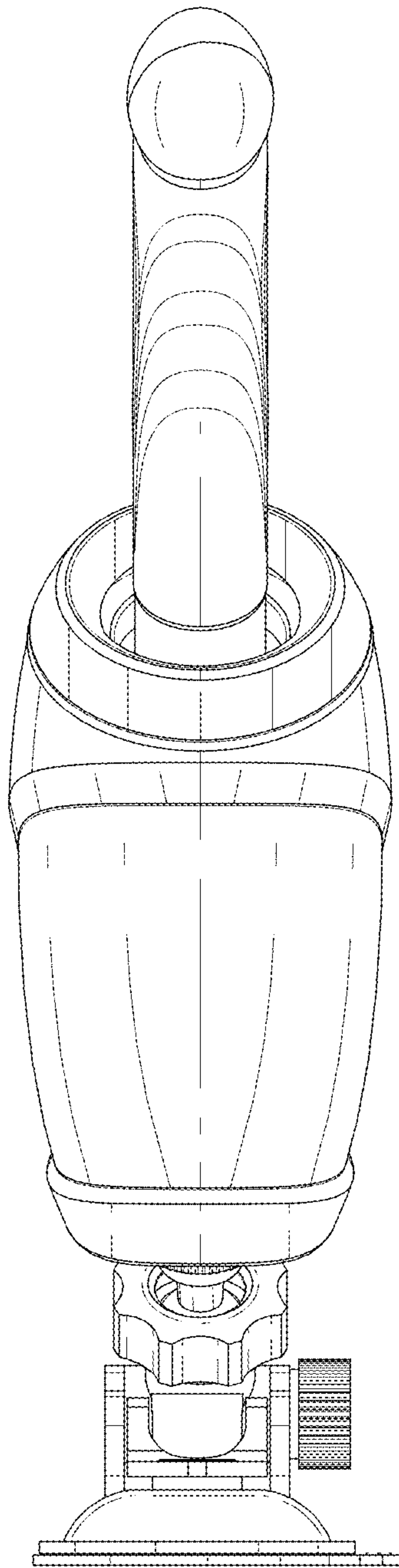


FIG. 4

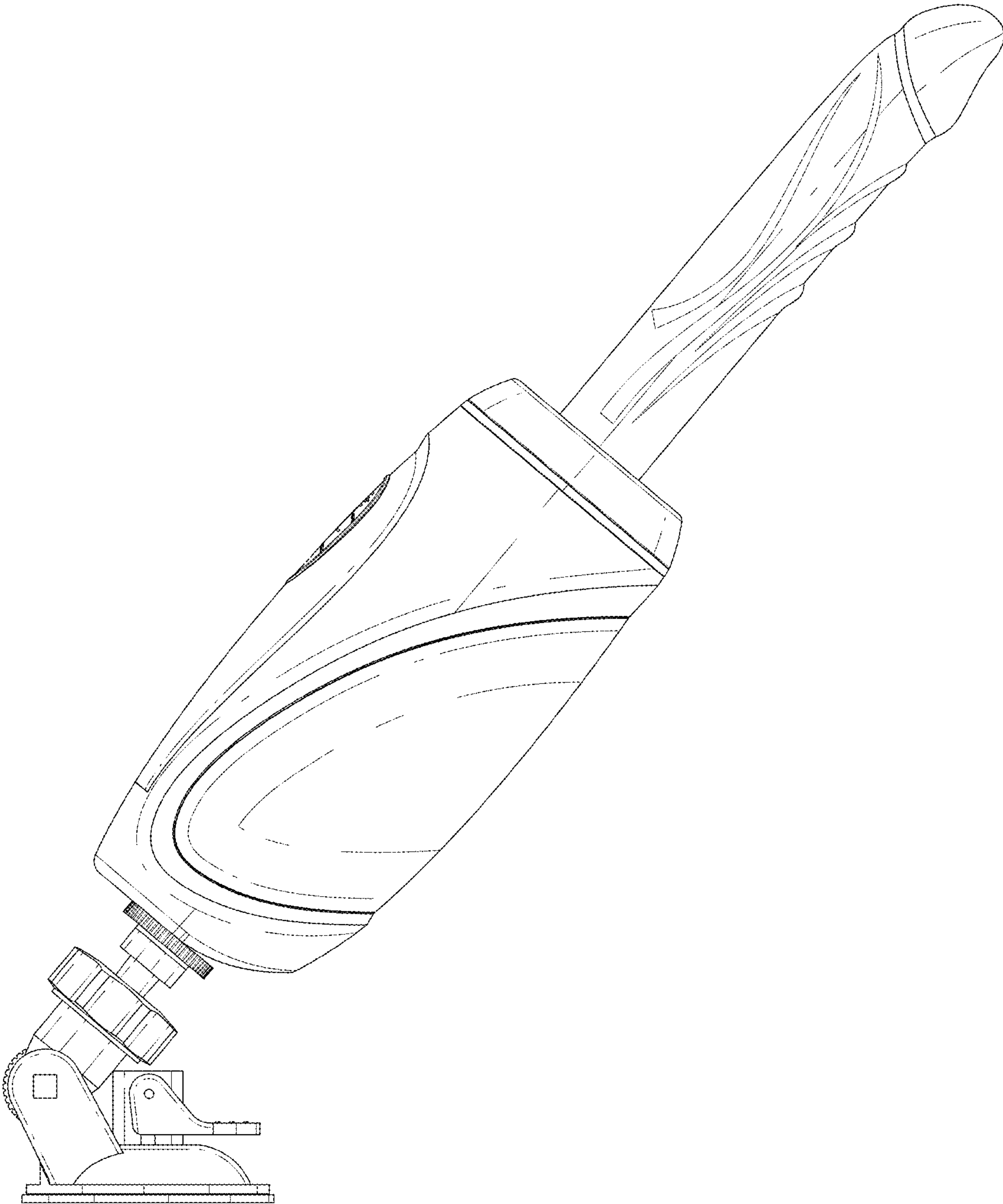


FIG. 5

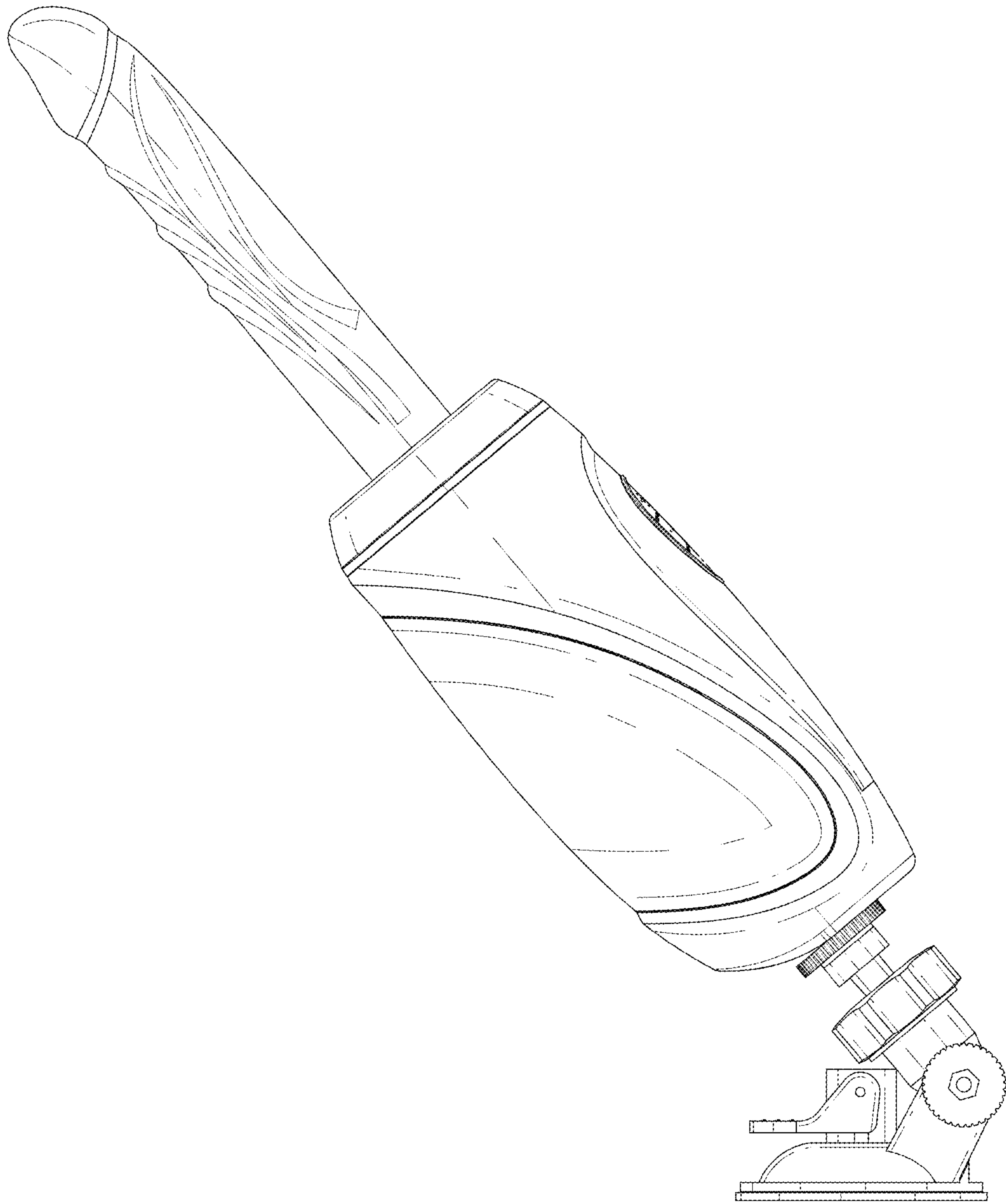


FIG. 6

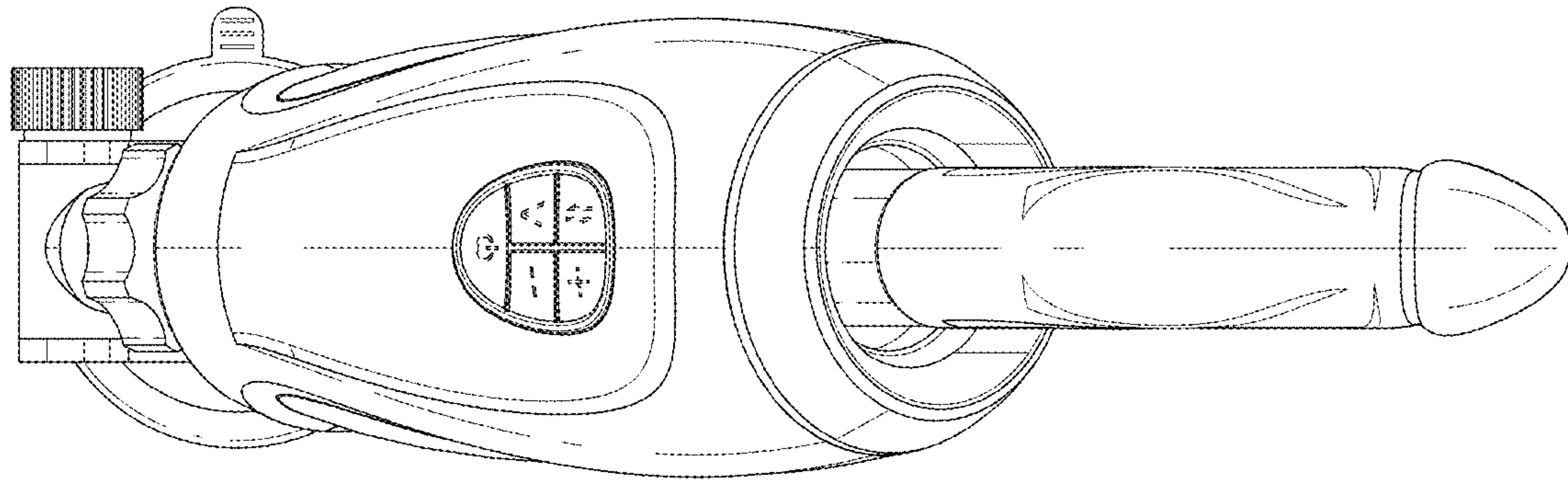


FIG. 7

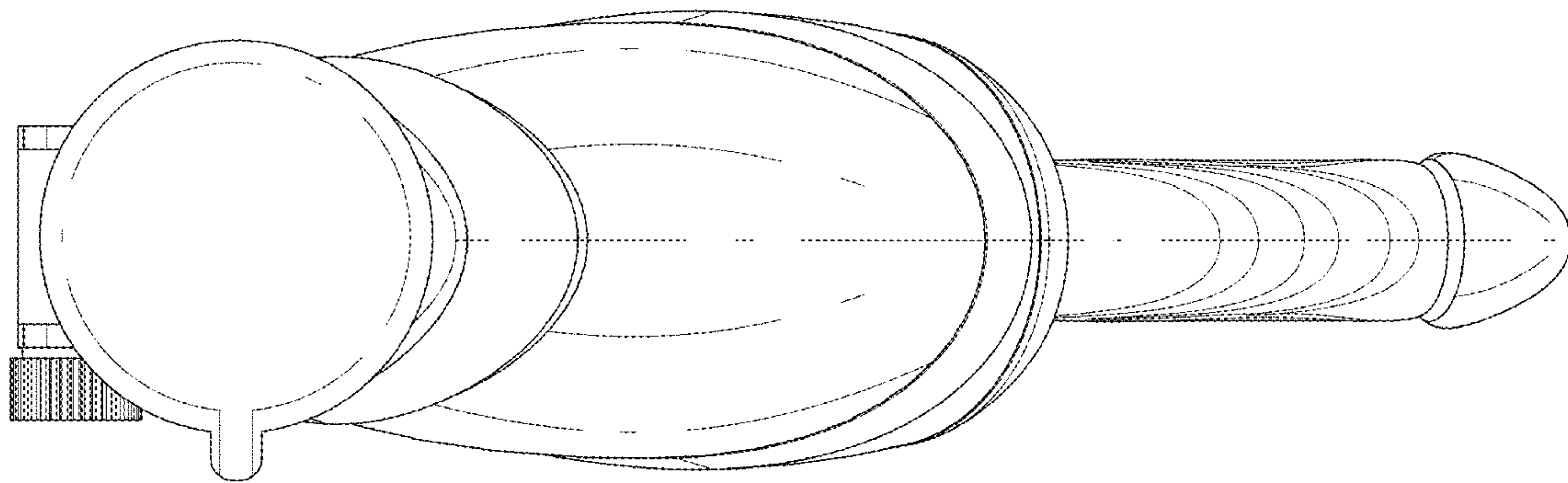


FIG. 8