



US00D981578S

(12) **United States Design Patent**
Yee

(10) **Patent No.:** **US D981,578 S**
(45) **Date of Patent:** **** Mar. 21, 2023**

(54) **HANDHELD BODY MASSAGING DEVICE**

(71) Applicant: **Topeka Tech, Inc.**, Corona, CA (US)

(72) Inventor: **Clinton Yee**, Corona, CA (US)

(73) Assignee: **TOPEKA TECH, INC.**, Corona, CA (US)

(**) Term: **15 Years**

(21) Appl. No.: **29/782,322**

(22) Filed: **May 6, 2021**

(51) **LOC (14) Cl.** **28-03**

(52) **U.S. Cl.**
USPC **D24/214**

(58) **Field of Classification Search**

USPC D24/215, 200, 211, 212, 213, 214, 133,
D24/107, 231, 184, 209, 206; D28/7, 99;
D4/116, 138, 199, 122
CPC A61H 7/00; A61H 7/003; A61H 7/004;
A61H 15/00; A61H 2015/0014; A61H
2015/0021; A61H 15/0092; A61H
15/0085

See application file for complete search history.

(56) **References Cited**

U.S. PATENT DOCUMENTS

D495,803 S *	9/2004	Gough	D24/214
D699,366 S *	2/2014	Marshall	D24/215
D777,939 S *	1/2017	Black	D24/214
D790,724 S *	6/2017	Black	D24/214
D819,825 S *	6/2018	Black	D24/214
D819,826 S *	6/2018	Black	D21/662
D830,568 S *	10/2018	Black	D24/214
D863,587 S *	10/2019	Yee	D24/214
D903,140 S *	11/2020	Andrejs	D24/214
D968,626 S *	11/2022	Kim	D24/206
2014/0243718 A1 *	8/2014	Black	A61H 7/001 601/120
2017/0333280 A1 *	11/2017	Black	A61H 7/003
2022/0241136 A1 *	8/2022	Costa	A61H 7/007

OTHER PUBLICATIONS

Mintbiology—Platinum Koa Massage and Gua Sha Tool. Date: May 12, 2021. [online]. [Site visited Dec. 6, 2022]. Available from Internet URL: <https://mintbiology.com/products/koa-platinum-massage-tool> (Year: 2021).*

Massagers. (Design—© Questel) orbit.com. [Online PDF compilation of references] 13 pgs. Print Dates Range Sep. 18, 2015-Jul. 2, 2022 [Retrieved Dec. 8, 2022] <https://www.orbit.com/export/UCZAH96B/pdf4/9b87d362-cf54-4ec7-bb1c-2888c5222ed8-202913.pdf> (Year: 2022).*

* cited by examiner

Primary Examiner — Eliza Z Harvey

Assistant Examiner — Landon Thomas Cassell

(74) *Attorney, Agent, or Firm* — Mitchell Law PLLC; Matthew W. Mitchell

(57) **CLAIM**

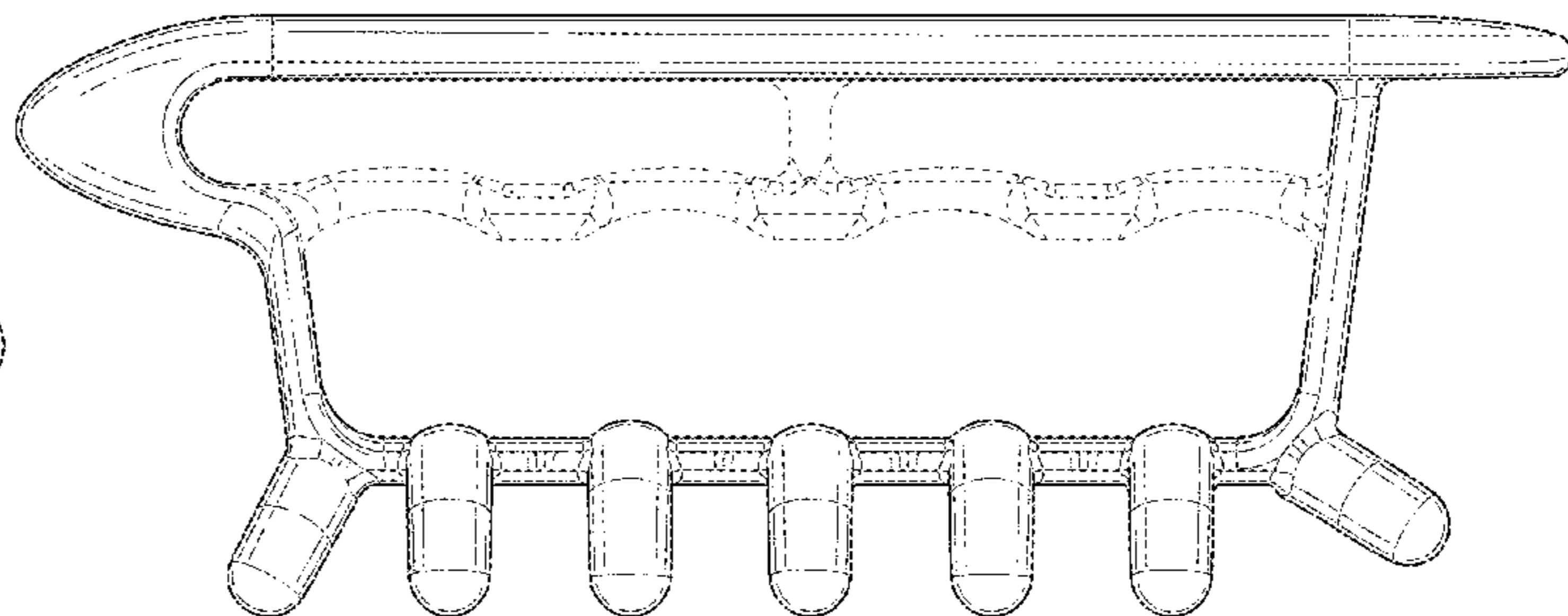
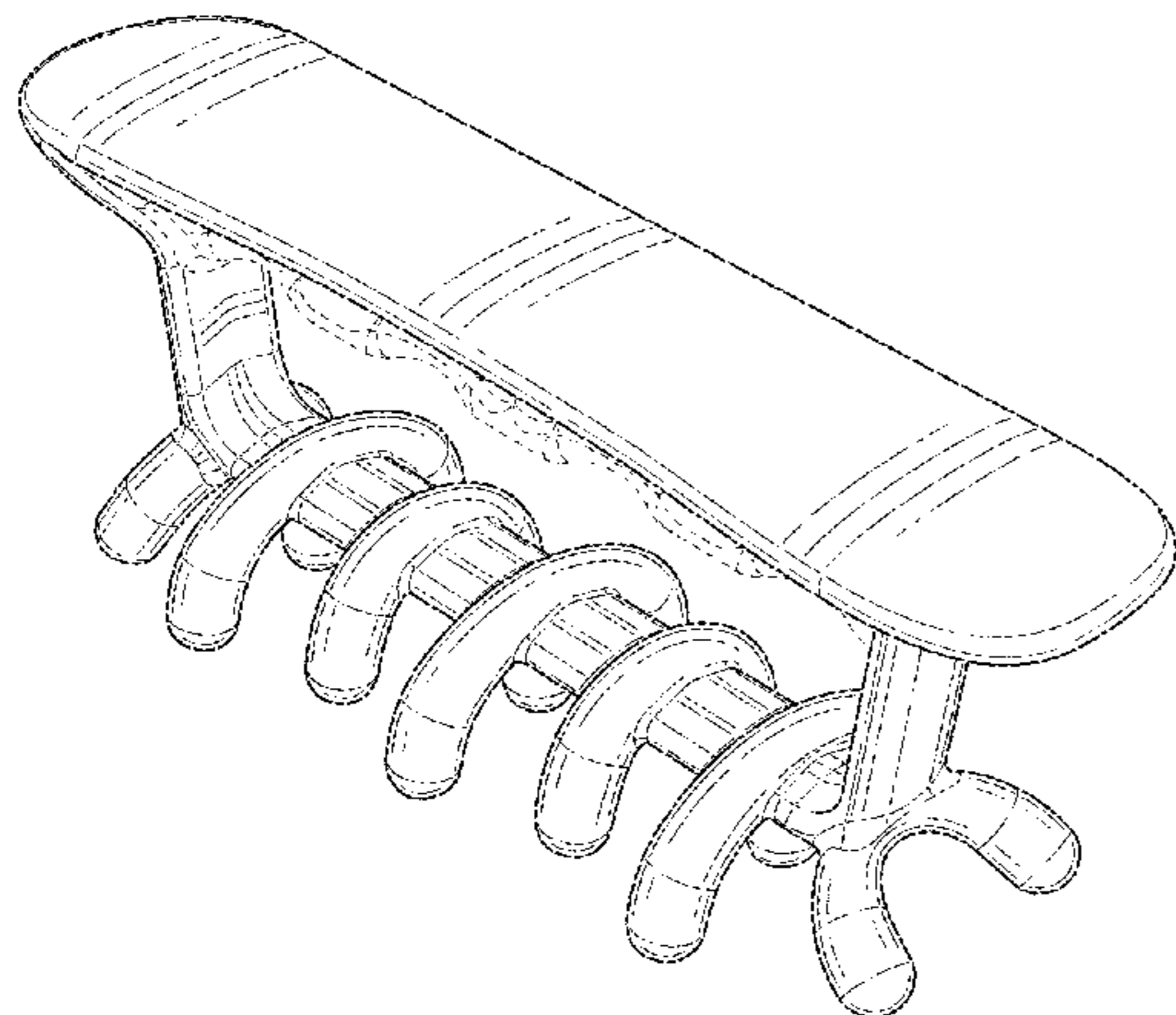
The ornamental design for a handheld body massaging device, as shown and described.

DESCRIPTION

FIG. 1 is a front isometric view of the handheld body massaging device, showing my new design; FIG. 2 is another isometric view thereof; FIG. 3 is a right-side view thereof; FIG. 4 is a left-side view thereof; FIG. 5 is a front view thereof; FIG. 6 is a rear view thereof; FIG. 7 is a top plan view thereof; and, FIG. 8 is a bottom plan view thereof.

The broken line showing portions of the handheld body massaging device represent unclaimed subject matter only and form no part of the claimed invention.

1 Claim, 8 Drawing Sheets



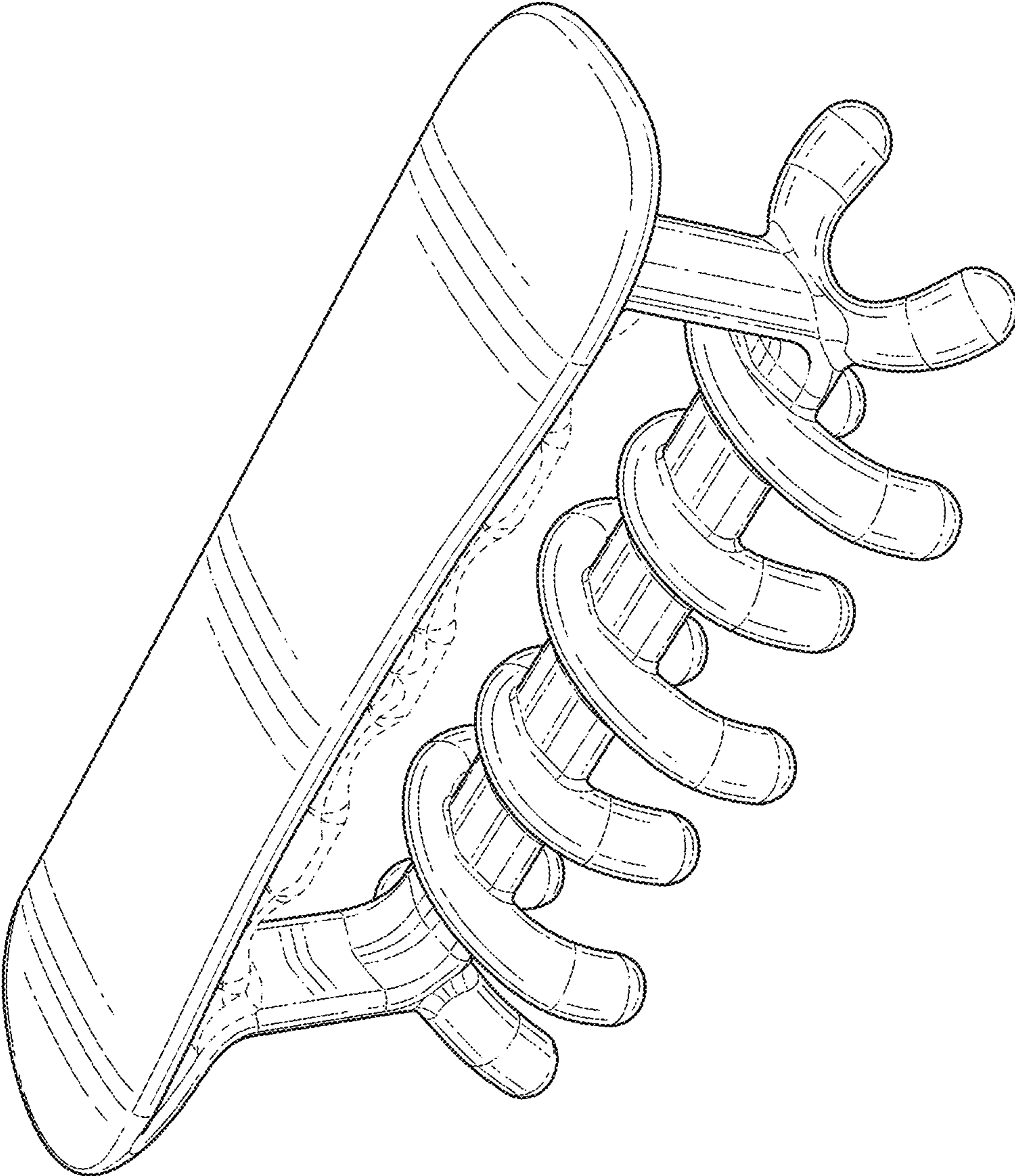


FIG. 1

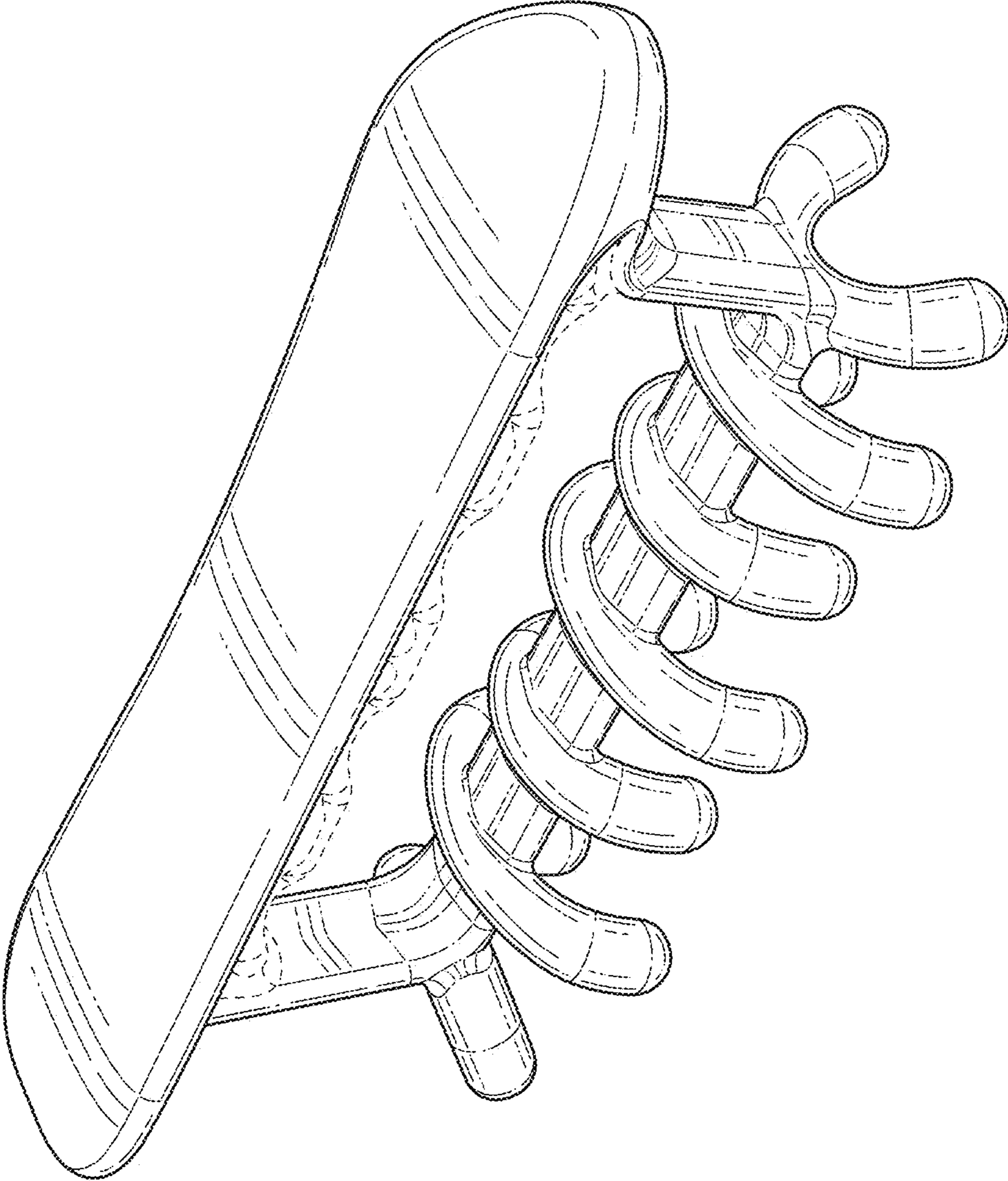


FIG. 2

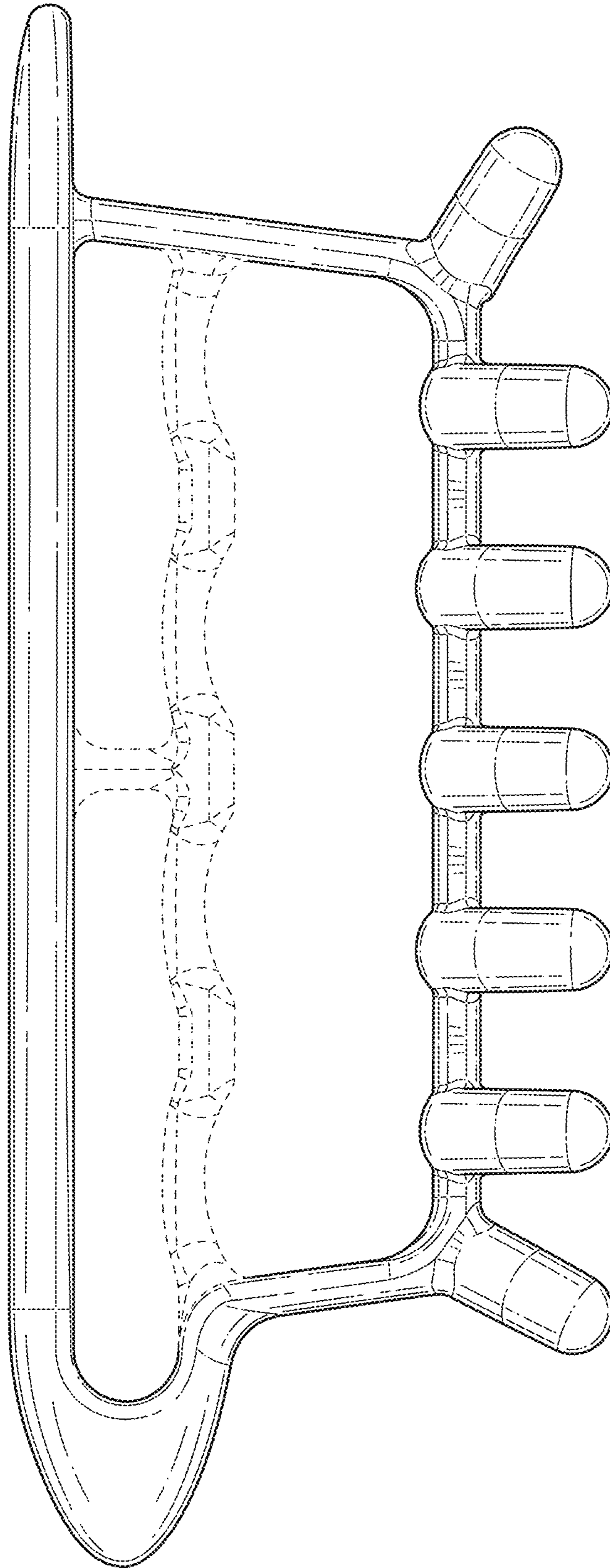


FIG. 3

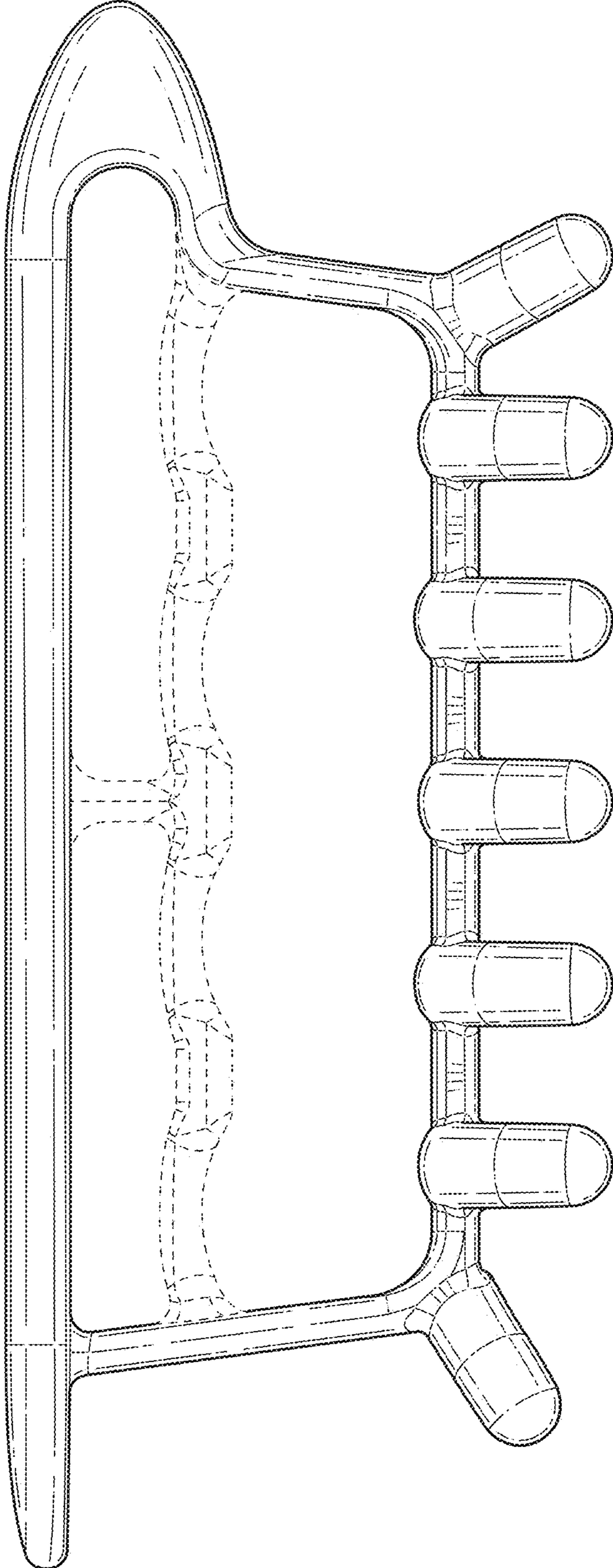


FIG. 4

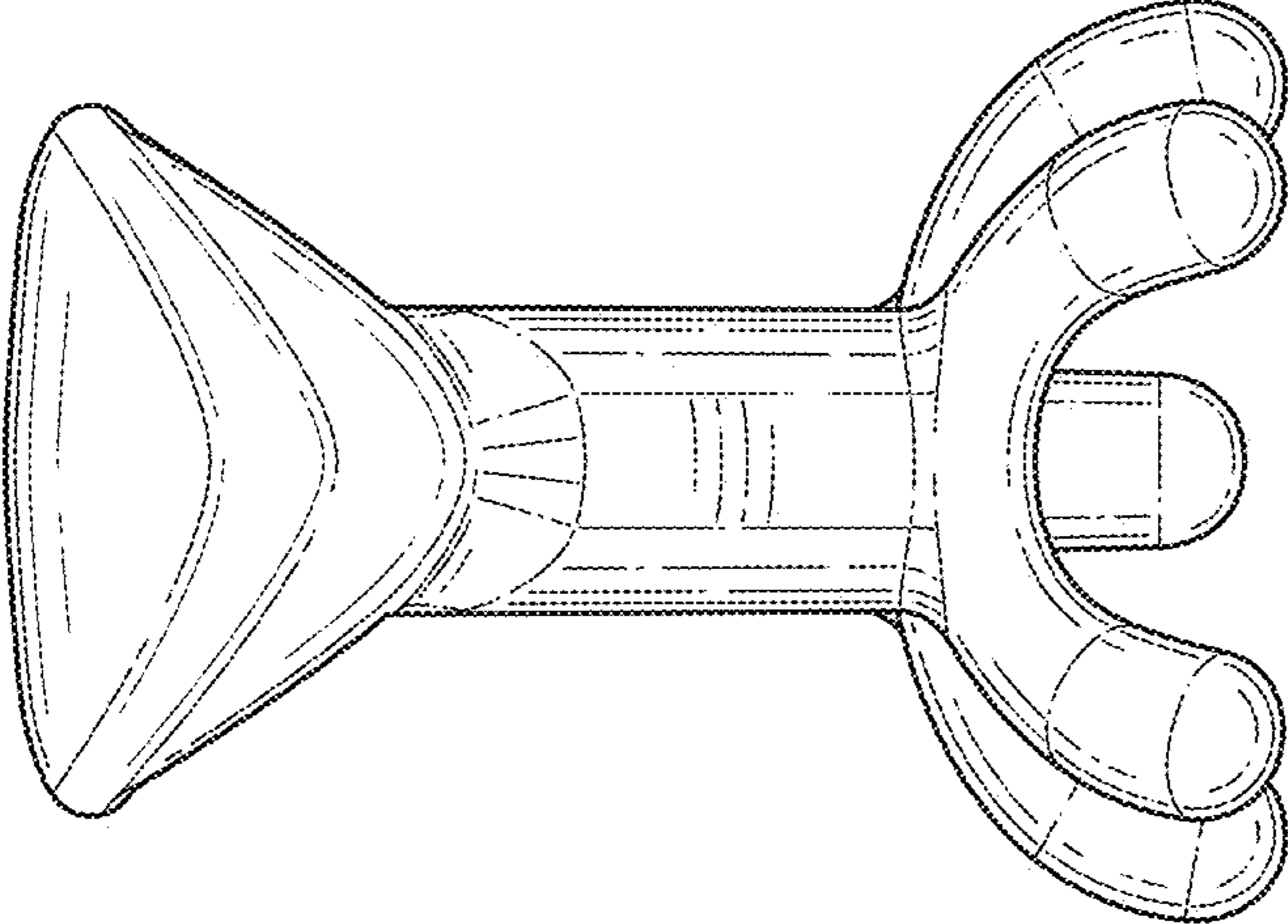


FIG. 5

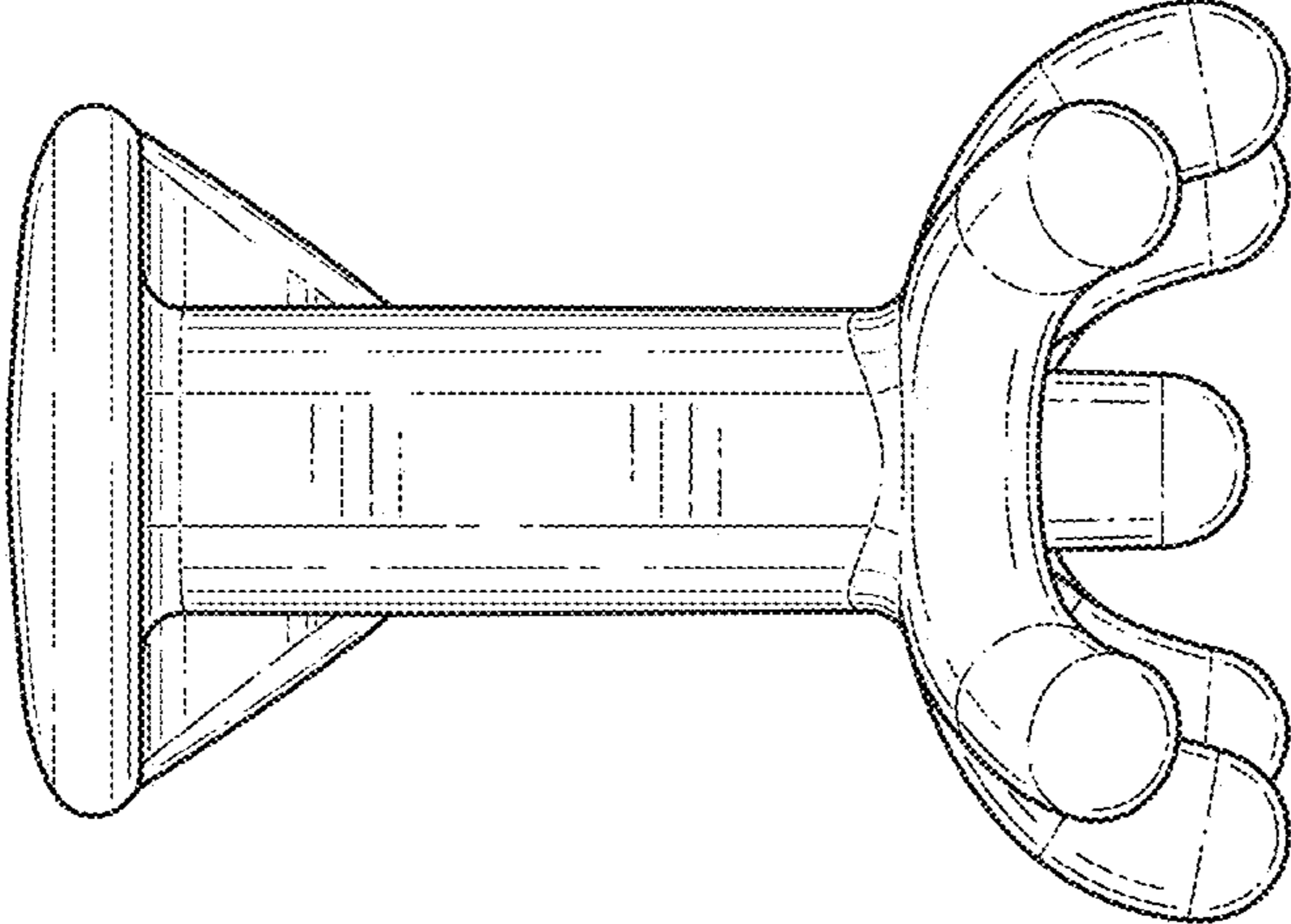


FIG. 6

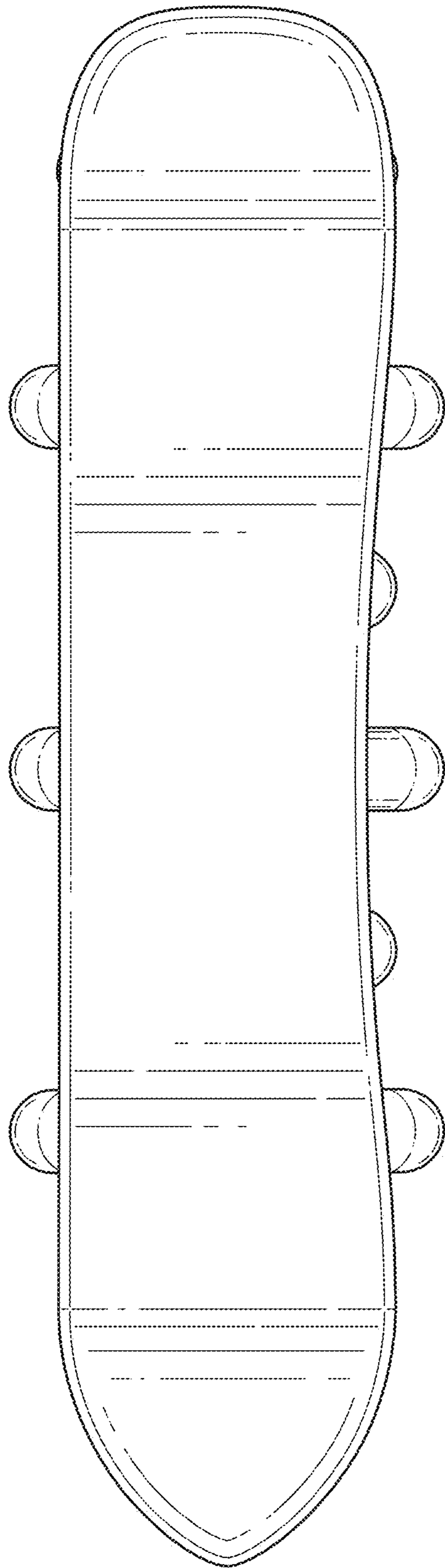


FIG. 7

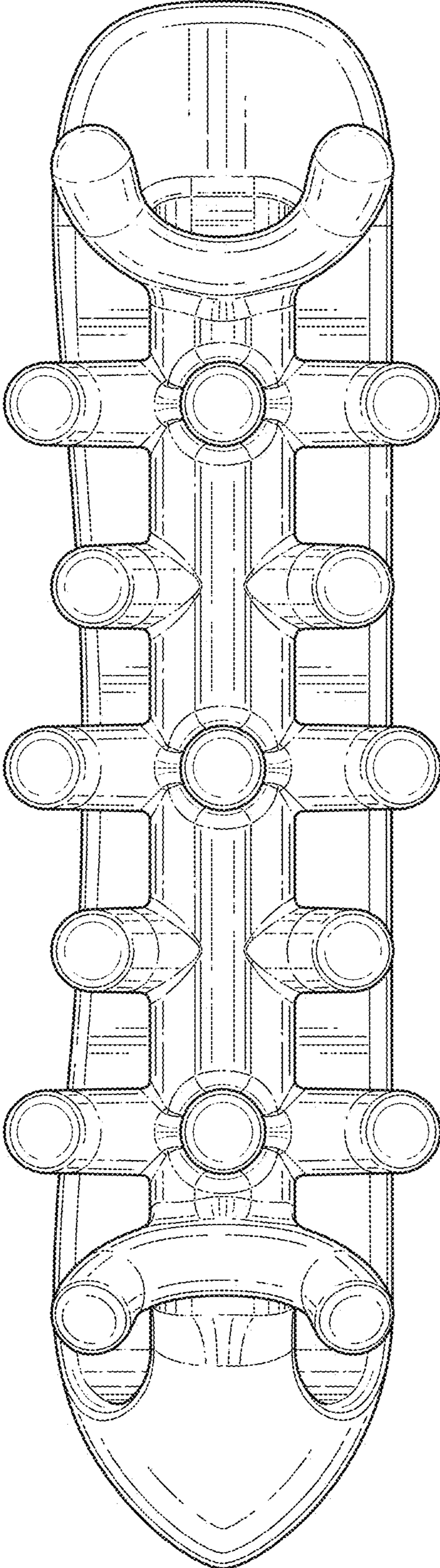


FIG. 8