



US00D981575S

(12) **United States Design Patent**
Yan

(10) **Patent No.:** **US D981,575 S**
(45) **Date of Patent:** **** Mar. 21, 2023**

(54) **MESSAGE ATTACHMENT**

FOREIGN PATENT DOCUMENTS

(71) Applicant: **FengTing Yan**, Guangdong (CN)

CA 119707 * 6/2008
GB 6144630 * 6/2021

(72) Inventor: **FengTing Yan**, Guangdong (CN)

OTHER PUBLICATIONS

(73) Assignee: **SHENZHEN JIEQU TECHNOLOGY CO., LTD.**, Shenzhen (CN)

Rilassa Abdominal Massager, Amazon.com, date published Jun. 28, 2020, date retrieved Aug. 19, 2022—U.S. Appl. No. 29/822,752—<https://amzn.to/3K4Umbq> (Year: 2020).*

(**) Term: **15 Years**

OWAYS Slimming Belt, Amazon.com, date published Oct. 7, 2018, date retrieved Aug. 19, 2022—U.S. Appl. No. 29/822,752—<https://www.amazon.com/OWAYS-Slimming-Adjustable-Vibration-Circulation/dp/B07J4WNG5B> (Year: 2018).*

(21) Appl. No.: **29/822,752**

(22) Filed: **Jan. 12, 2022**

(51) **LOC (14) Cl.** **24-01**

* cited by examiner

(52) **U.S. Cl.**

USPC **D24/200**

Primary Examiner — Jennifer L Rempfer

(58) **Field of Classification Search**

USPC D24/200, 201, 207, 215; D23/260; D13/108; D3/294

Assistant Examiner — Danielle Nichole Bowly

CPC .. A61F 7/02; A63B 21/0004; A63B 23/03516

(74) *Attorney, Agent, or Firm* — Georgi Korobanov

See application file for complete search history.

(57) **CLAIM**

(56) **References Cited**

The ornamental design for a massage attachment, as shown and described.

U.S. PATENT DOCUMENTS

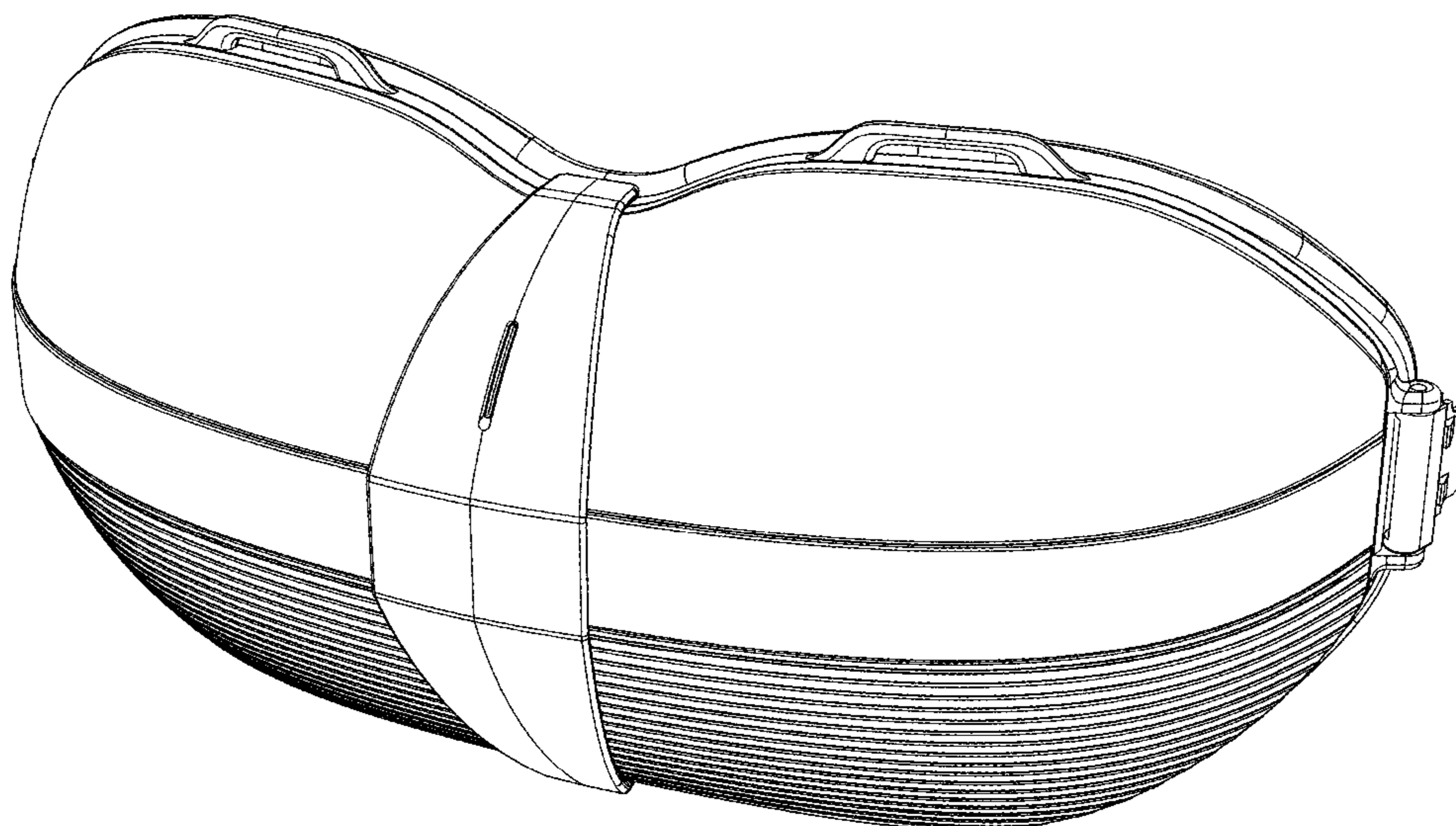
DESCRIPTION

D195,185 S *	5/1963	Witz	D24/207
D358,654 S *	5/1995	Smith	D24/200
D490,528 S *	5/2004	Cook	D24/200
D546,958 S *	7/2007	Kim	D24/214
D597,211 S *	7/2009	Ewing	D24/187
D633,628 S *	3/2011	Wahng	D24/215
D713,049 S *	9/2014	Shah	D24/200
D790,073 S *	6/2017	Mason	D24/215
D794,806 S *	8/2017	Kranz	D24/186
D801,538 S *	10/2017	Rondoni	D24/186
D860,467 S *	9/2019	Blake	D24/200
D870,300 S *	12/2019	Hsieh	D24/200
D907,228 S *	1/2021	Weinberg	D24/215
D927,717 S	8/2021	Wersland et al.		
D945,631 S *	3/2022	Gebrekidan	D24/200
D949,422 S *	4/2022	Wang	D24/215
2013/0197341 A1 *	8/2013	Grob	A61N 1/0472
				29/874
2017/0224990 A1 *	8/2017	Goldwasser	A61N 1/0476

FIG. 1 is a front, top, right side perspective view of a massage attachment showing my new design;
FIG. 2 is a rear, top, left side perspective view thereof;
FIG. 3 is a front elevation view thereof;
FIG. 4 is a rear elevation view thereof;
FIG. 5 is a left side elevation view thereof;
FIG. 6 is a right side elevation view thereof;
FIG. 7 is a top plan view thereof; and,
FIG. 8 is a bottom plan view thereof.

The broken lines in the drawings illustrate portions of the massage attachment that form no part of the claimed design.

1 Claim, 7 Drawing Sheets



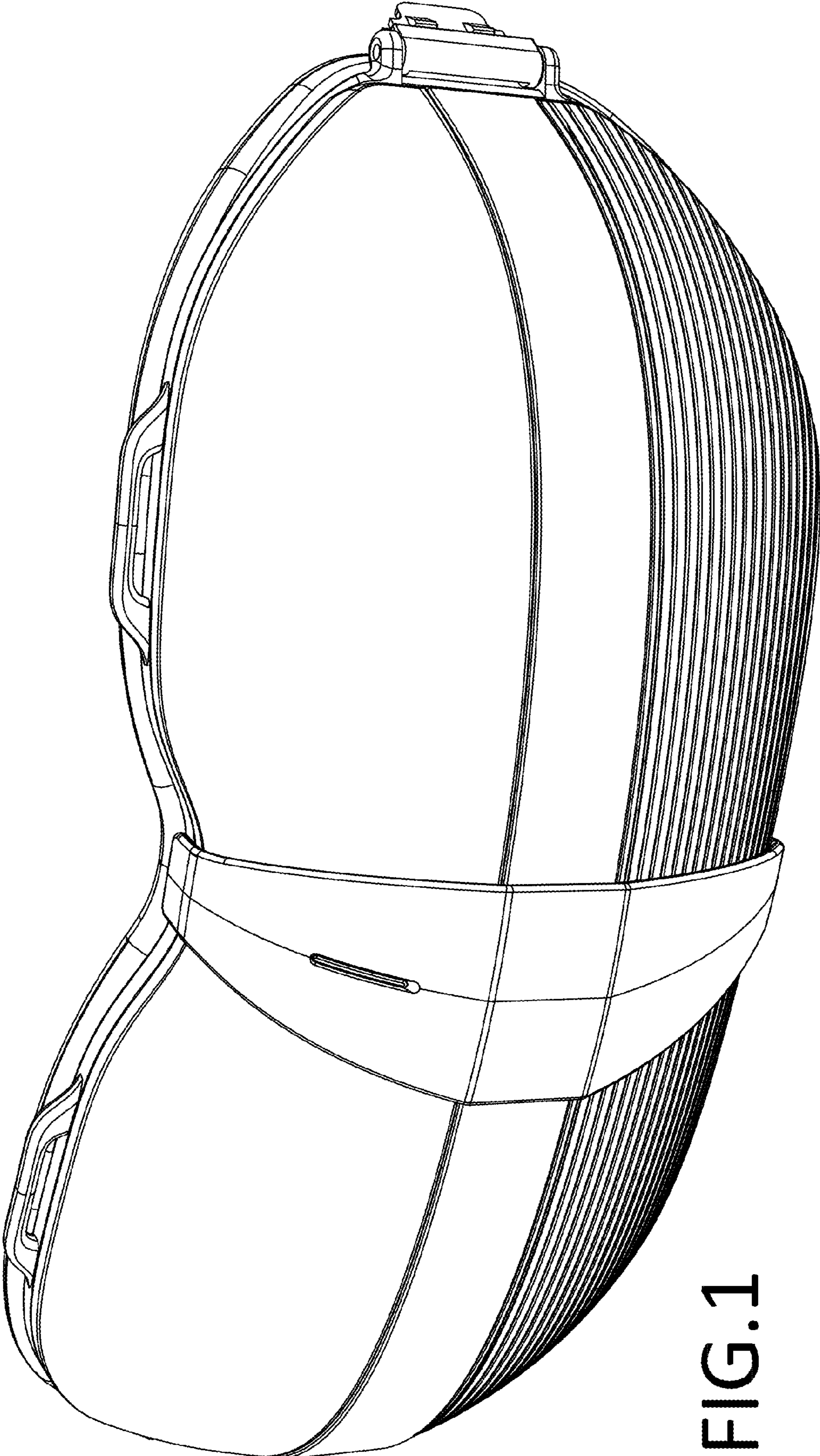


FIG.1

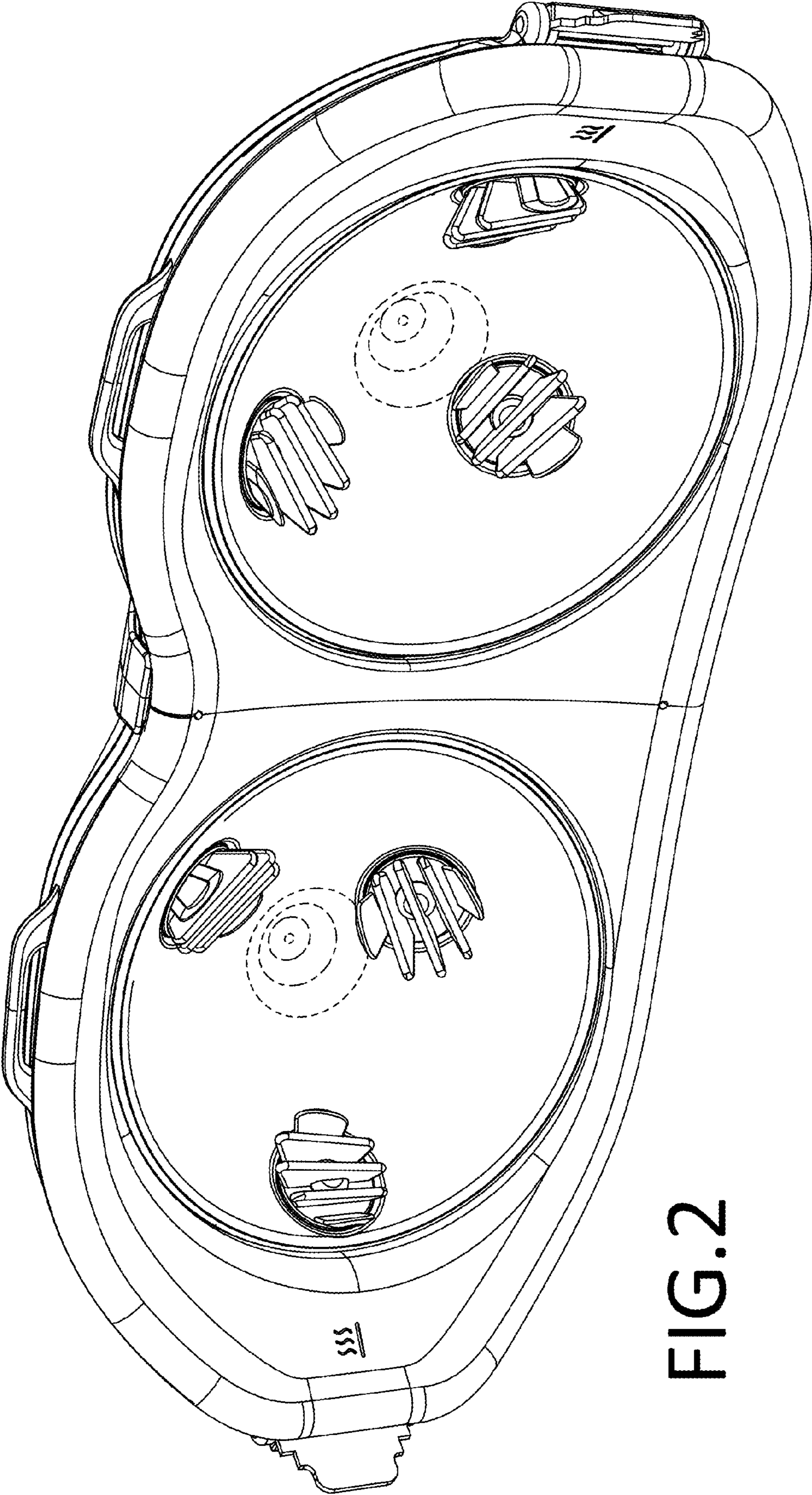


FIG. 2

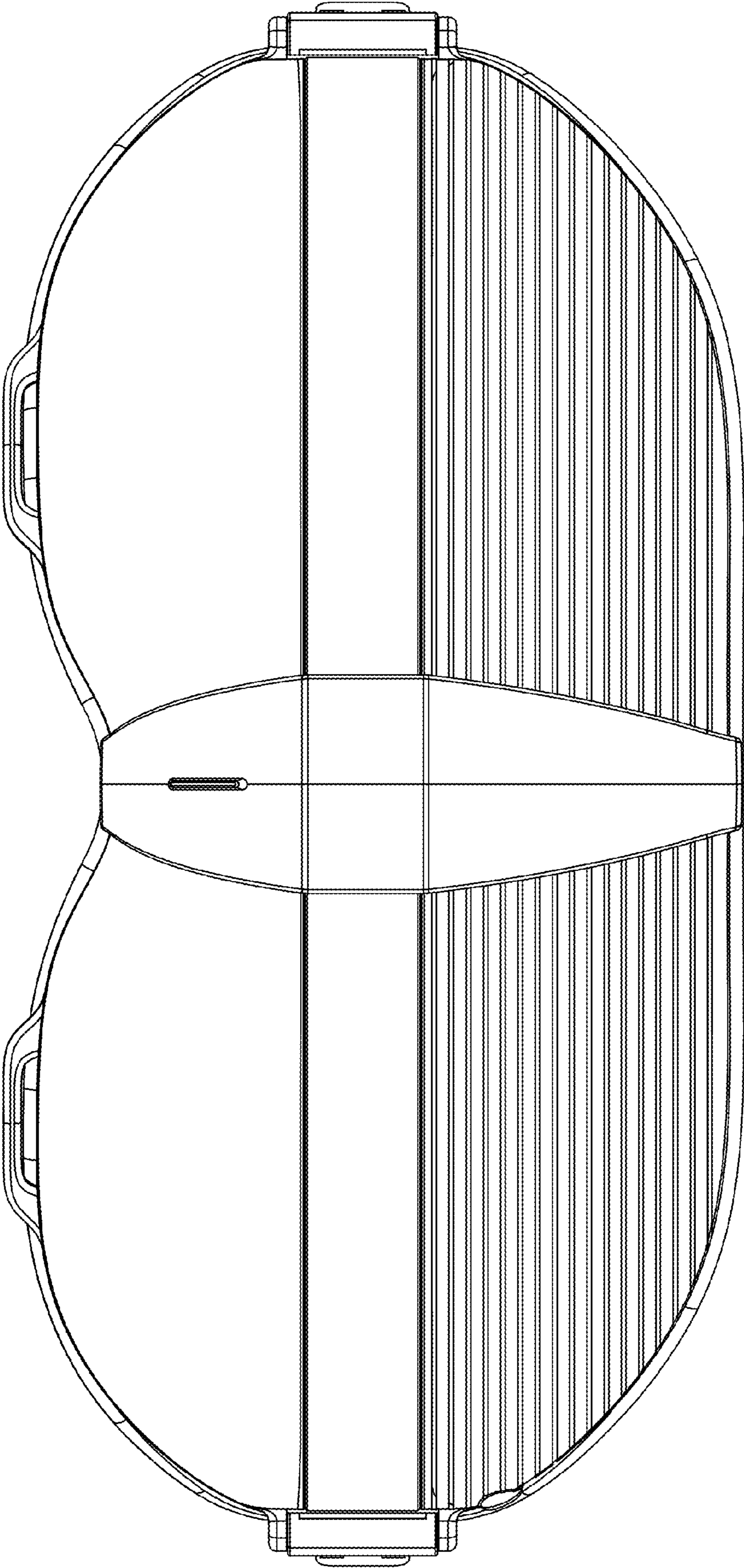


FIG.3

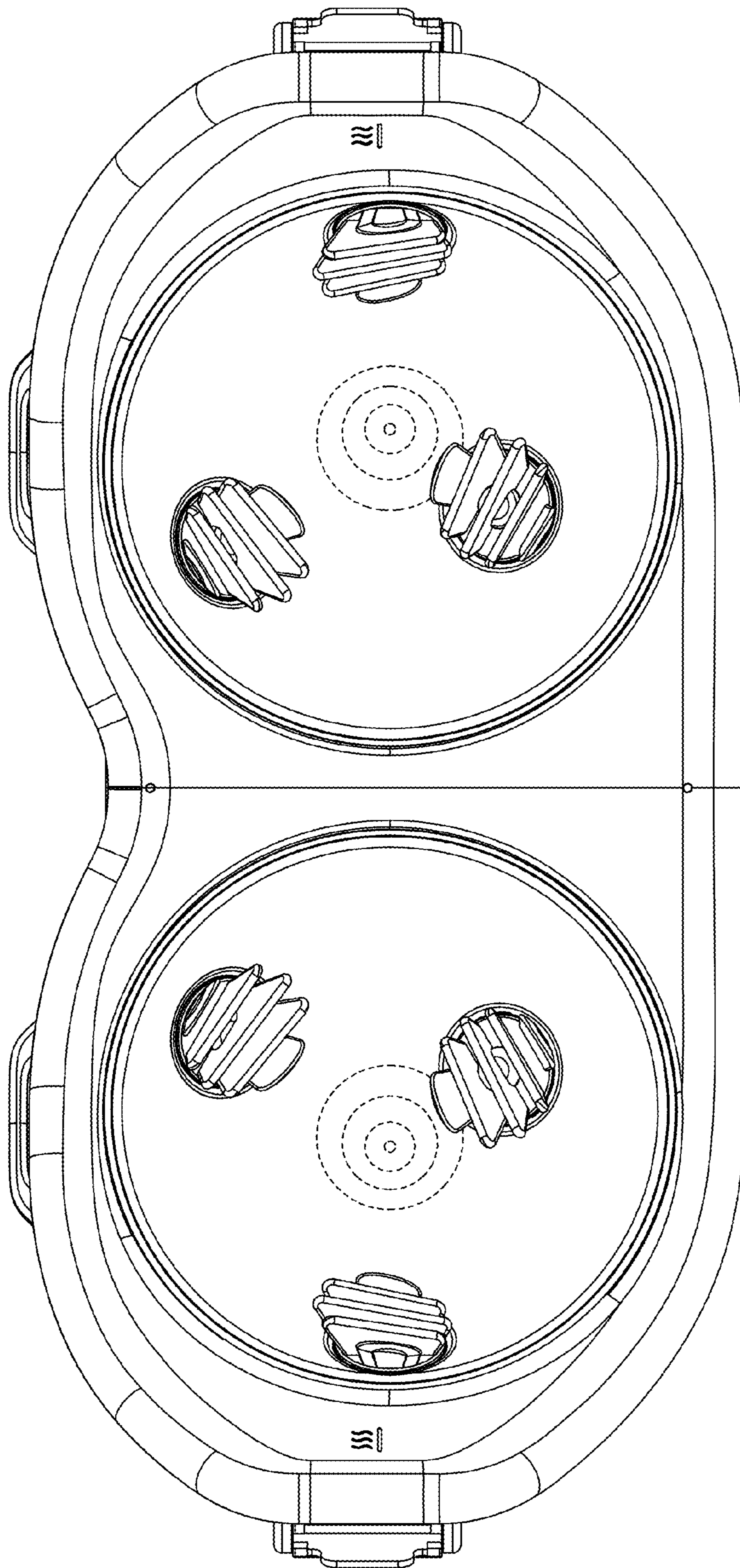


FIG.4

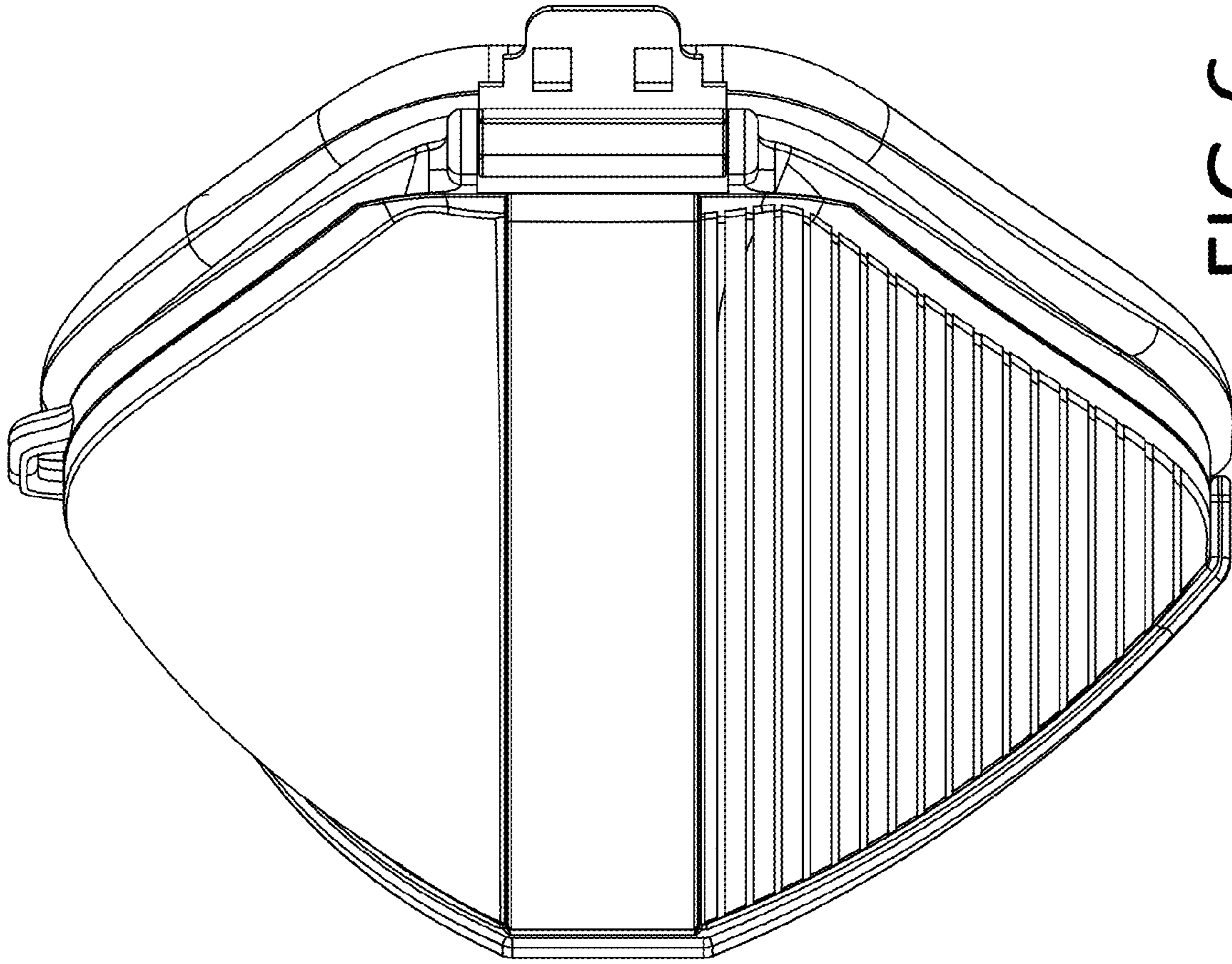


FIG. 6

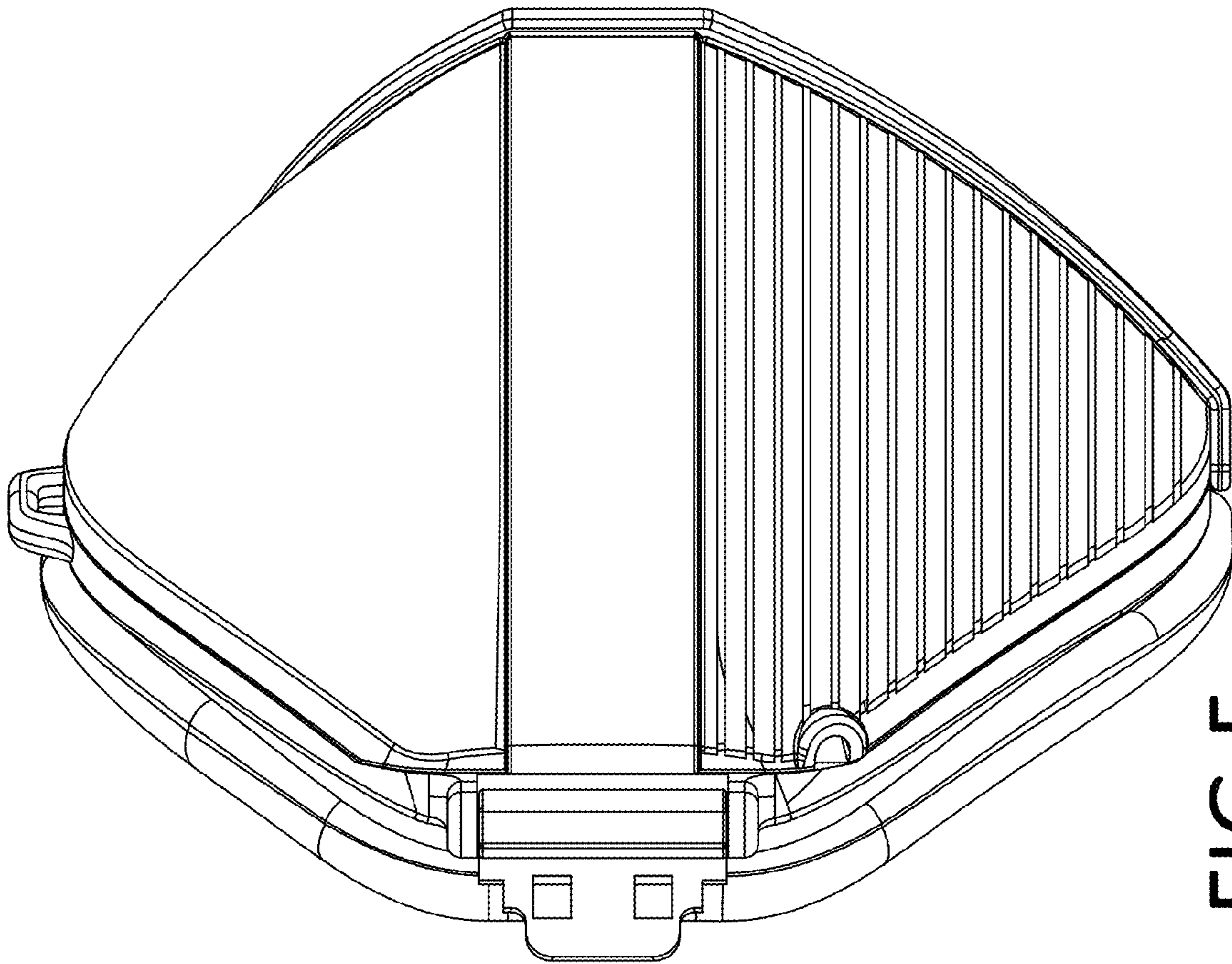


FIG. 5

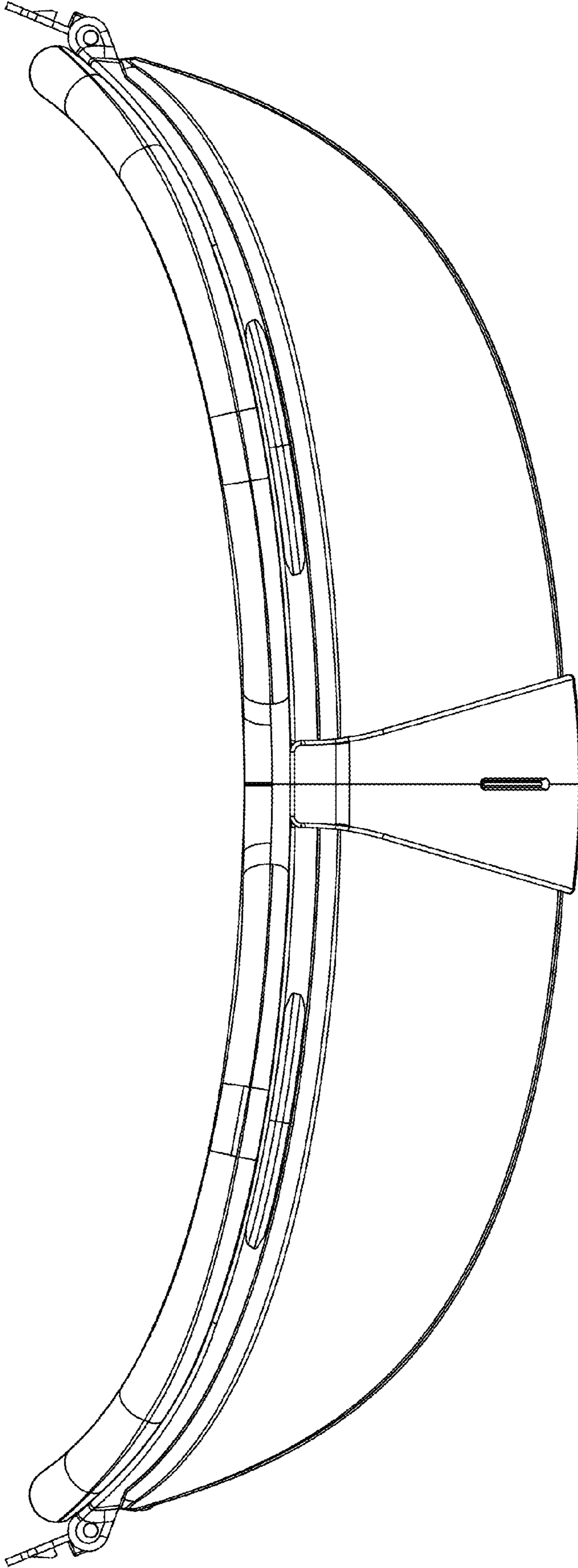


FIG. 7

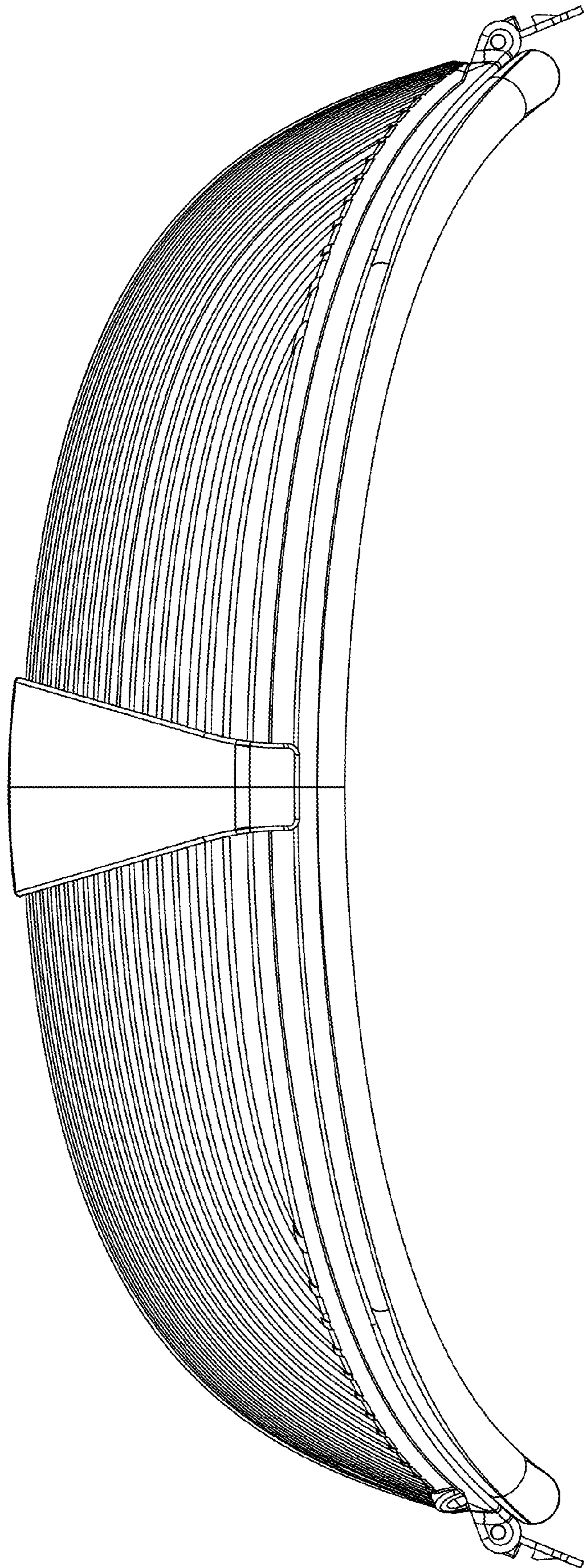


FIG. 8