



US00D981570S

(12) **United States Design Patent**
Shi

(10) **Patent No.:** **US D981,570 S**
(45) **Date of Patent:** **** Mar. 21, 2023**

(54) **SPA APPARATUS**

(71) Applicant: **DONGGUAN HONGYU PLASTIC CO., LTD.**, Dongguan (CN)

(72) Inventor: **Juying Shi**, Dongguan (CN)

(73) Assignee: **Dongguan Hongyu Plastic Co., Ltd.**

(**) Term: **15 Years**

(21) Appl. No.: **29/826,250**

(22) Filed: **Feb. 10, 2022**

(30) **Foreign Application Priority Data**

Oct. 25, 2021 (CN) 202130698830.7

(51) **LOC (14) Cl.** **24-02**

(52) **U.S. Cl.**
USPC **D24/185; D24/201**

(58) **Field of Classification Search**
USPC D24/107, 152, 156, 176, 177, 178, 180, D24/181, 182, 209, 210, 201-205, 213; D23/276, 277, 278, 280.1, 280.2, 280.3, D23/283; D28/56, 61; D6/708.18
CPC A61H 33/6005; A61H 33/6021; A61H 33/6089; A61H 33/6094; A61H 2035/004; A61H 35/006; A61H 35/00; A47K 3/022; A47K 3/062; A47K 3/02; A47C 1/02; A47C 1/024; A47C 1/04; A47C 1/06; A47C 7/18; A47C 7/24; A47C 17/00; A47C 17/02; A47C 17/175; A61D 11/00; A61F 7/0085

See application file for complete search history.

(56) **References Cited**

U.S. PATENT DOCUMENTS

D86,686 S * 4/1932 Prouty D24/210
3,106,021 A * 10/1963 Borden A61C 1/0007
D224,536 S * 8/1972 Gardella D24/176
D282,485 S * 2/1986 Buhner D24/177

D283,539 S * 4/1986 Purkapile D24/176
D295,785 S * 5/1988 Gordon D24/201
D316,297 S * 4/1991 Neumeister D24/188

(Continued)

FOREIGN PATENT DOCUMENTS

CA 2672409 A1 7/2008
TW D208849 S 12/2020

Primary Examiner — T Chase Nelson

Assistant Examiner — Kelly L Gross

(74) *Attorney, Agent, or Firm* — Conley Rose, P.C.

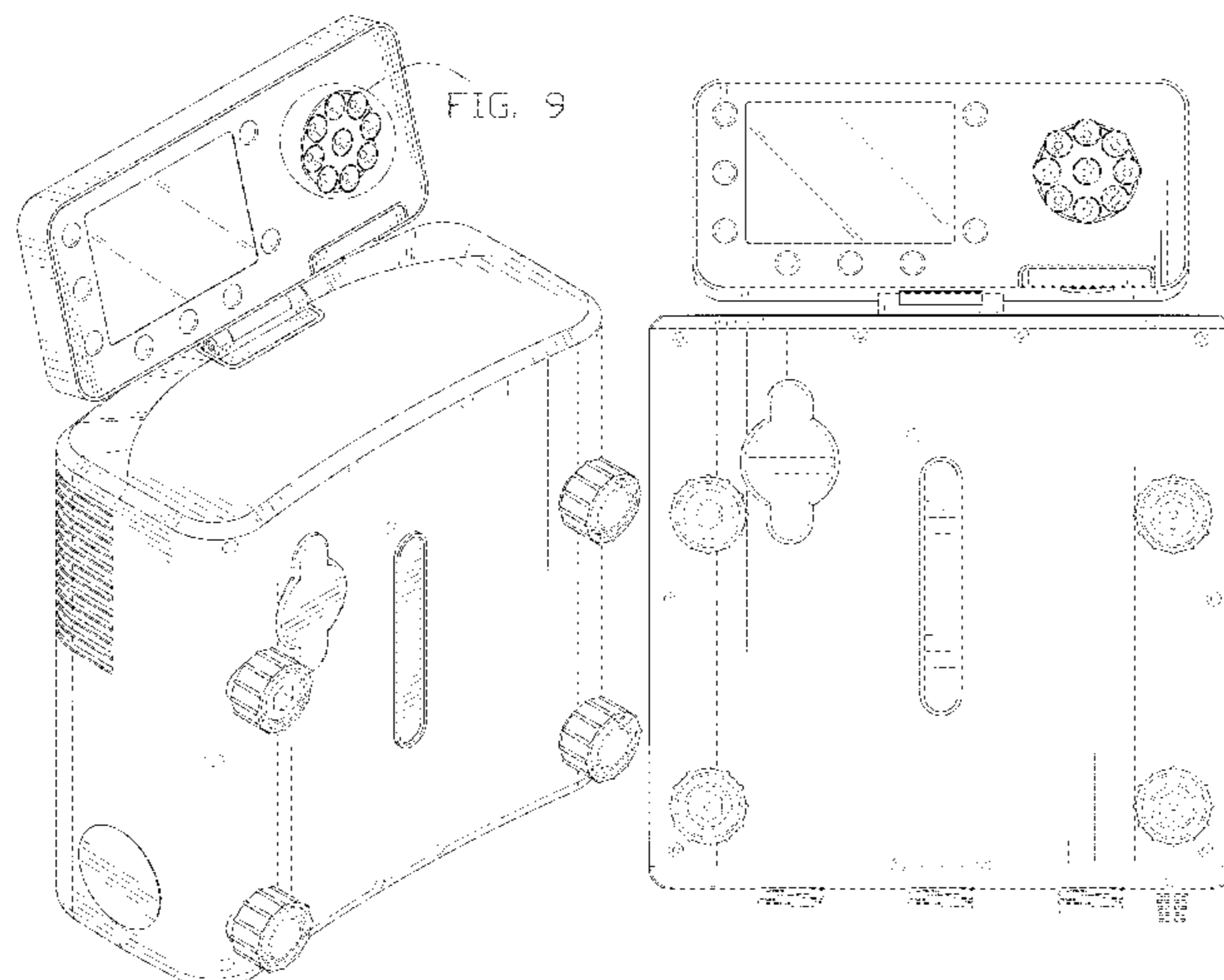
(57) **CLAIM**

The ornamental design for a spa apparatus, as shown and described.

DESCRIPTION

FIG. 1 is a left, front and top perspective view of a spa apparatus in accordance with the new design;
FIG. 2 is a right, rear and bottom perspective view of the spa apparatus of FIG. 1;
FIG. 3 is a front elevation view of the spa apparatus of FIG. 1;
FIG. 4 is a rear elevation view of the spa apparatus of FIG. 1;
FIG. 5 is a left side elevation view of the spa apparatus of FIG. 1;
FIG. 6 is a right side elevation view of the spa apparatus of FIG. 1;
FIG. 7 is a top plan view of the spa apparatus of FIG. 1;
FIG. 8 is a bottom plan view of the spa apparatus of FIG. 1; and,
FIG. 9 is an enlarged partial view of detail 9 of the spa apparatus of FIG. 1.
The broken lines in the drawings show portions of the spa apparatus that form no part of the claimed design. The dot-dash lines in FIGS. 1 and 9 show the bounds of the enlarged partial view of FIG. 8, and form no part of the claimed design.

1 Claim, 9 Drawing Sheets



(56)

References Cited

U.S. PATENT DOCUMENTS

D318,114 S * 7/1991 Silbersky D24/177
 D332,313 S * 1/1993 Bailey D24/177
 D334,622 S * 4/1993 Daniel D24/185
 D335,352 S * 5/1993 Ristine, III D23/283
 D348,936 S * 7/1994 Swick D13/164
 D366,116 S * 1/1996 Biskupski D24/177
 D370,534 S * 6/1996 Hunger D24/201
 D407,485 S * 3/1999 Lanza D24/107
 D423,665 S * 4/2000 Herbst D24/111
 D429,697 S * 8/2000 Monaco D10/50
 D450,386 S * 11/2001 Wang D24/176
 6,371,121 B1 * 4/2002 Faries, Jr. H01H 13/785
 128/849
 D457,862 S * 5/2002 Falk D13/162
 D510,433 S * 10/2005 Kling D24/176
 D534,871 S * 1/2007 Larsen D13/162
 D567,956 S * 4/2008 Gay D24/204
 D588,844 S * 3/2009 Tran D6/708.18
 D590,934 S * 4/2009 Randolph D24/107
 D595,821 S * 7/2009 Buron D23/314
 D611,612 S * 3/2010 Nering D13/162
 D617,466 S * 6/2010 Edgar D24/204
 D626,224 S * 10/2010 Amano D24/138
 D627,041 S * 11/2010 Fournier
 D631,549 S * 1/2011 Kagawa D24/176

7,959,860 B2 * 6/2011 Fanes, Jr. A61B 46/10
 422/62
 D670,392 S * 11/2012 Kagawa D24/177
 D683,462 S * 5/2013 Grunenfelder D24/176
 D699,854 S * 2/2014 Kagawa D24/177
 D702,566 S 4/2014 Chandran
 D777,902 S * 1/2017 Souney D24/107
 D816,856 S * 5/2018 Edgar D24/201
 D835,290 S * 12/2018 Galvin D24/201
 D857,917 S * 8/2019 Mead D24/233
 D886,653 S * 6/2020 Sugie D24/216
 D888,267 S * 6/2020 Salomon D24/216
 D889,679 S * 7/2020 White D24/216
 D900,330 S * 10/2020 Kayyem B01L 3/502784
 D24/216
 D906,536 S * 12/2020 Kozono D24/216
 D907,795 S * 1/2021 Buie D24/216
 D908,911 S * 1/2021 Reavis, Jr. D24/216
 D913,503 S * 3/2021 Kari A61H 35/008
 D24/177
 2008/0099050 A1 * 5/2008 Barnhill A61B 90/80
 134/18
 2011/0307038 A1 * 12/2011 Stiehr A61F 7/0085
 607/104
 2019/0365601 A1 * 12/2019 Chang A61H 35/008
 2021/0386581 A1 * 12/2021 Mulder A61F 7/0085

* cited by examiner

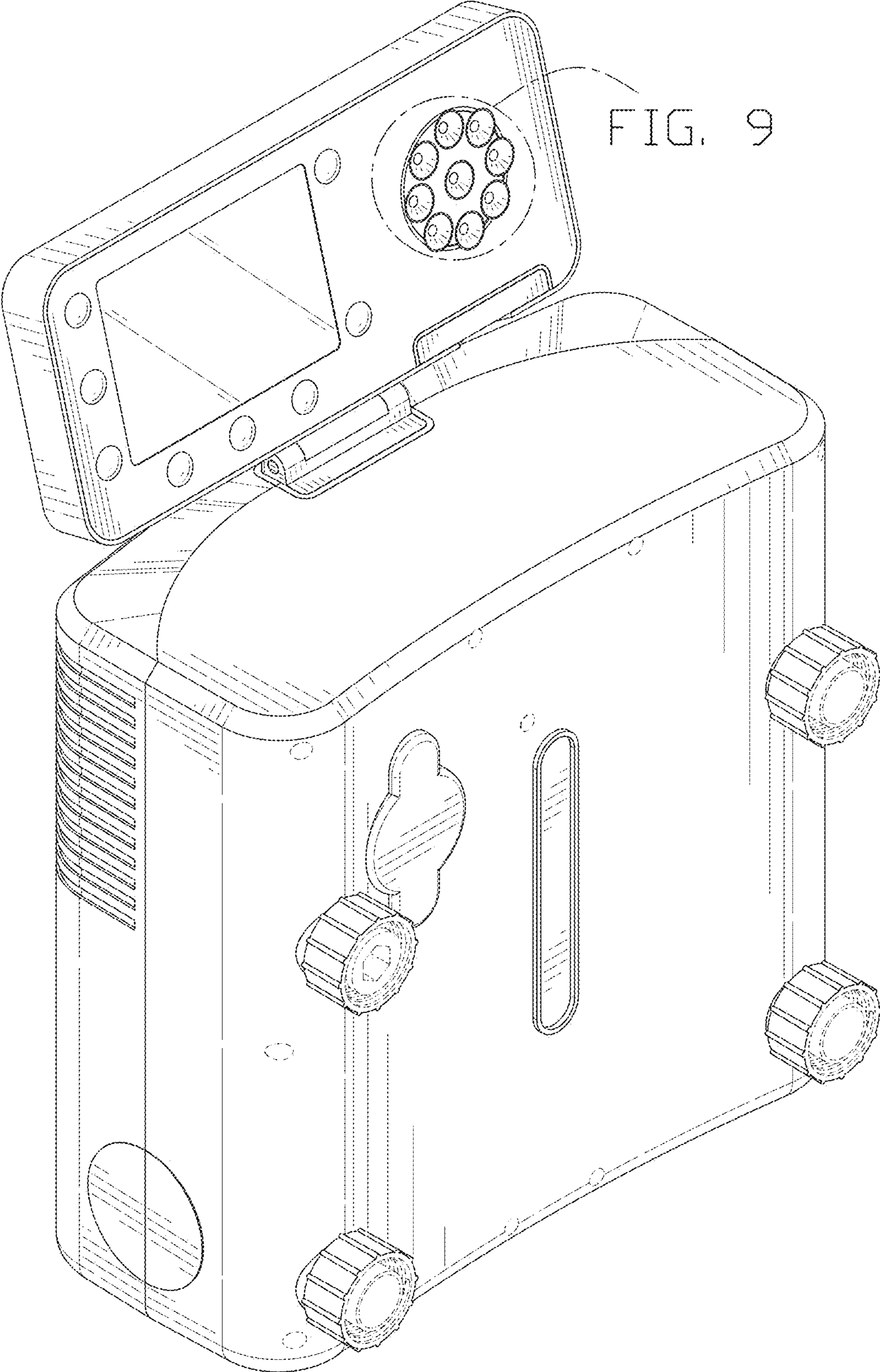


FIG. 9

FIG. 1

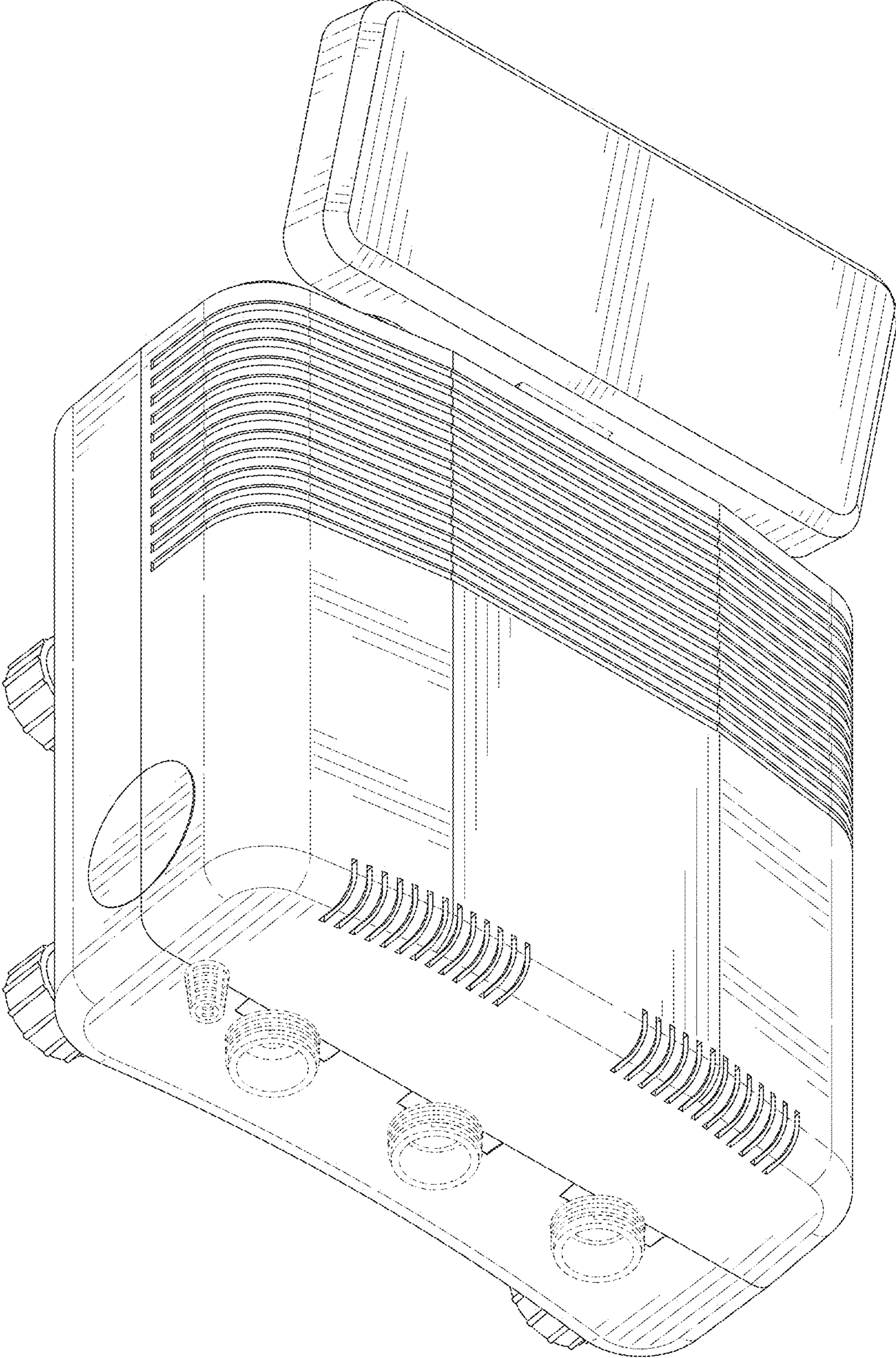


FIG. 2

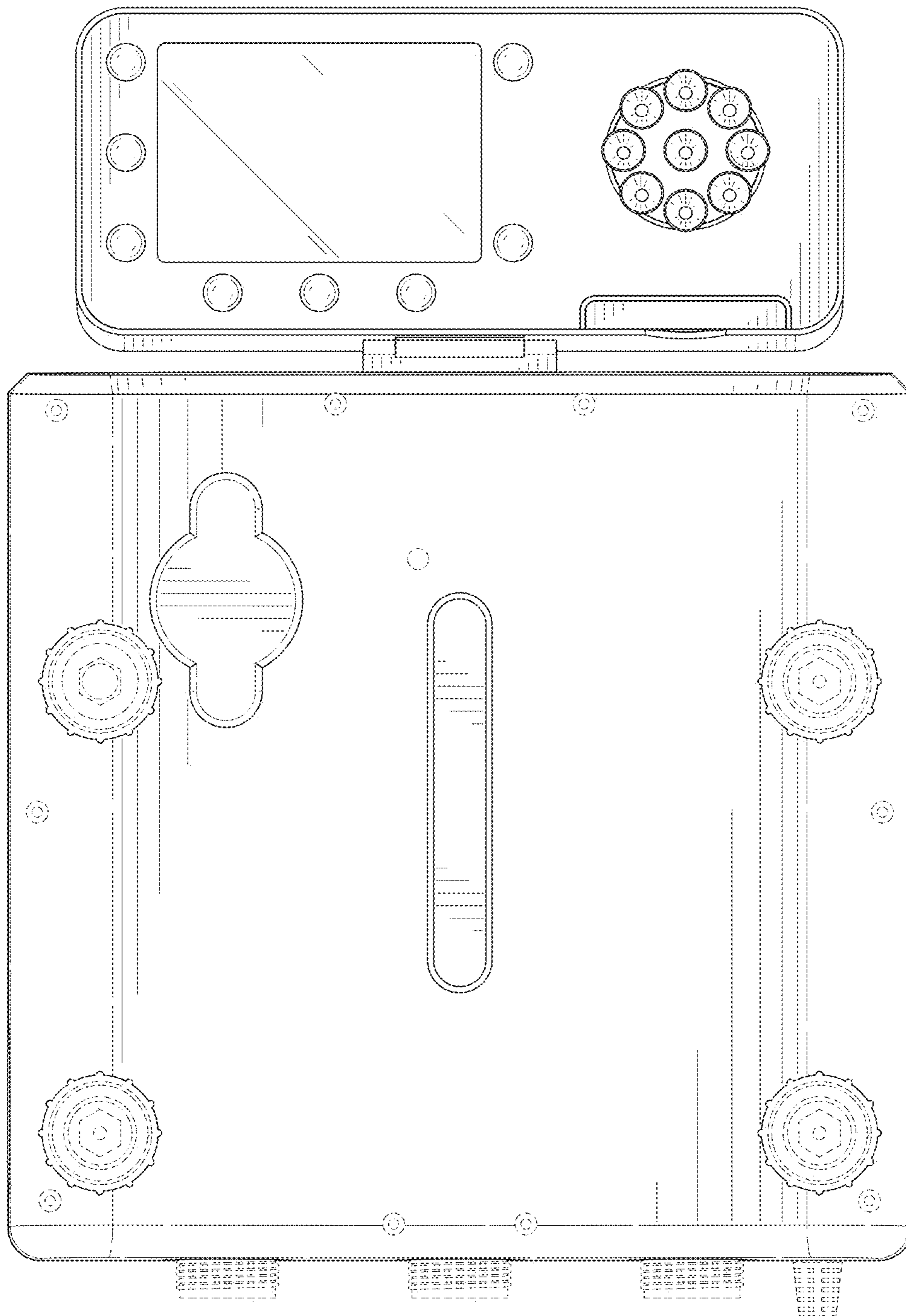


FIG. 3

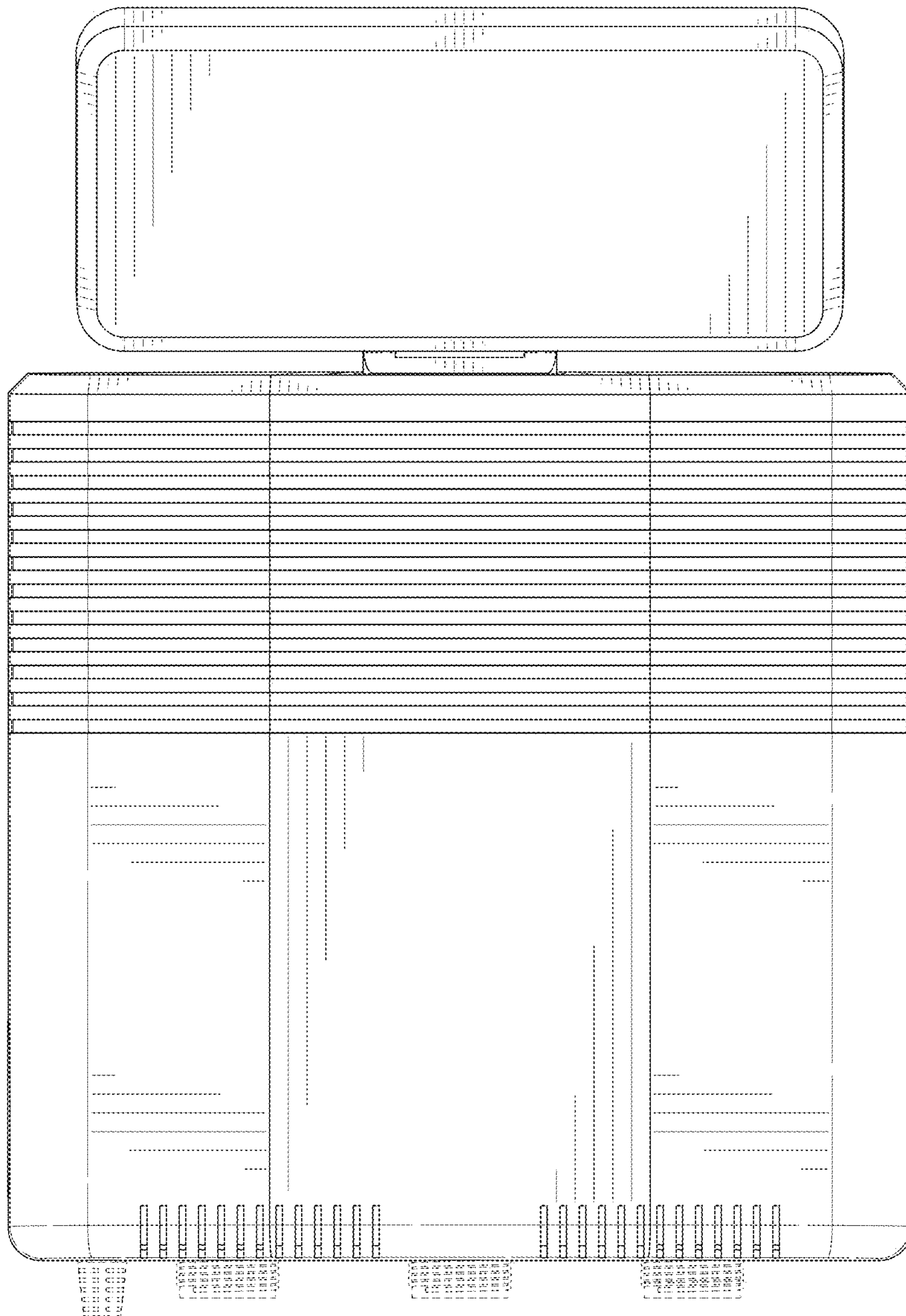


FIG. 4

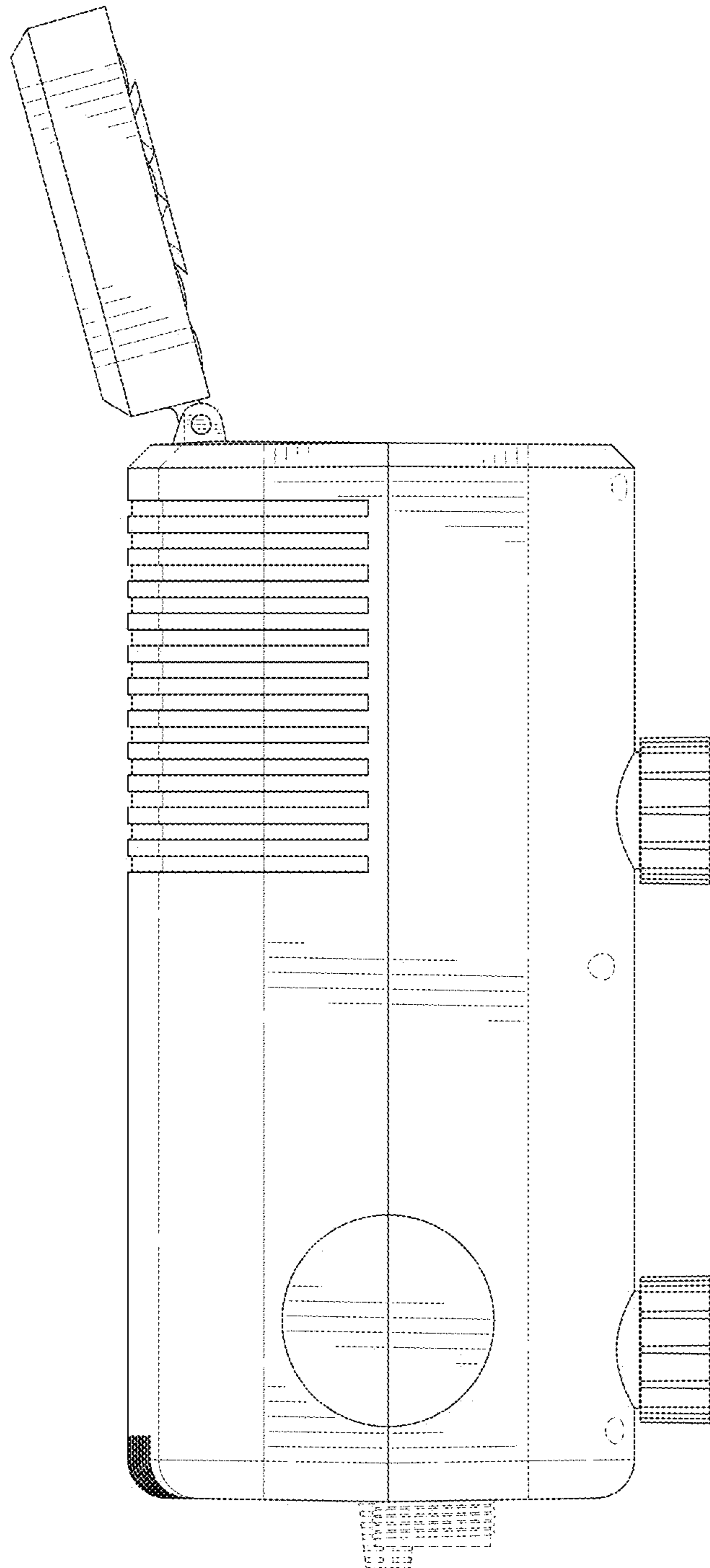


FIG. 5

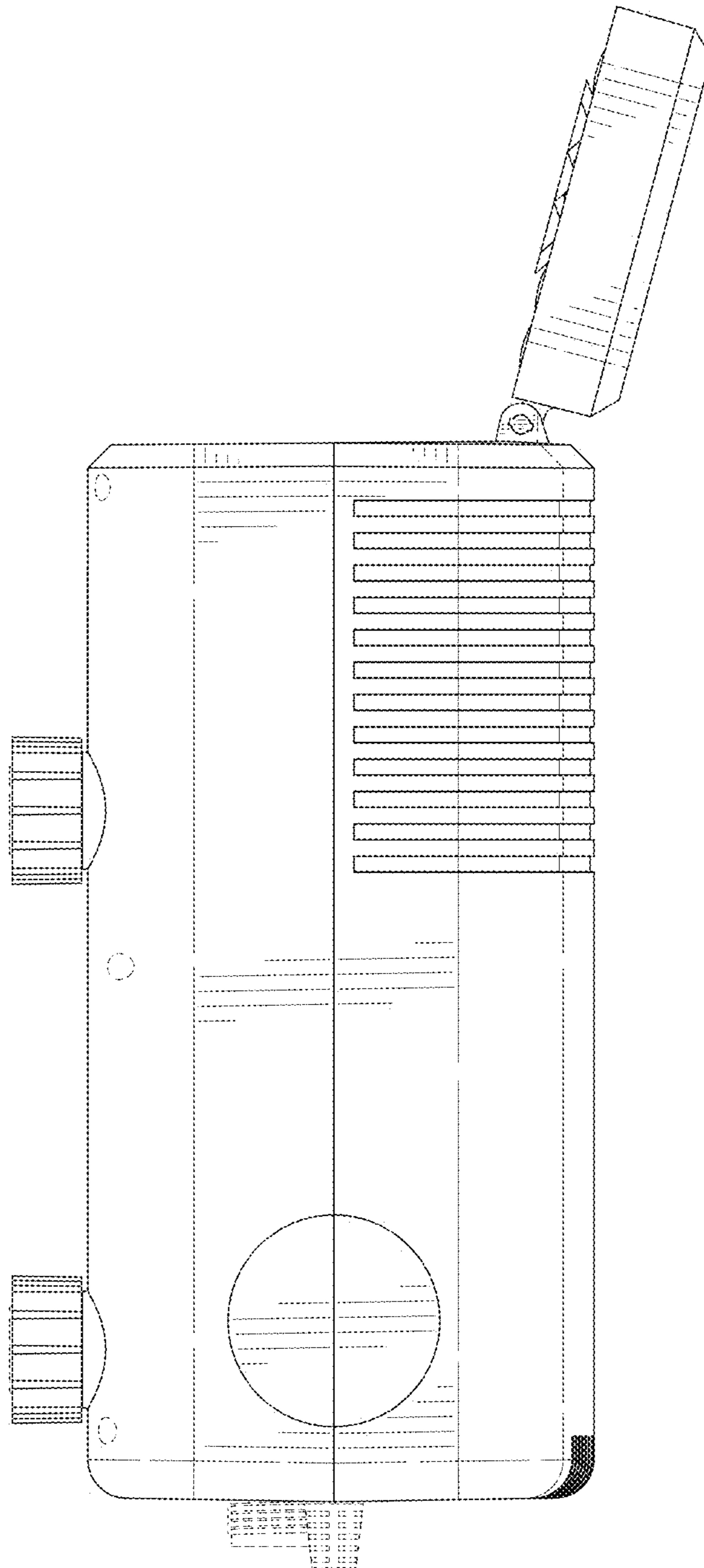


FIG. 6

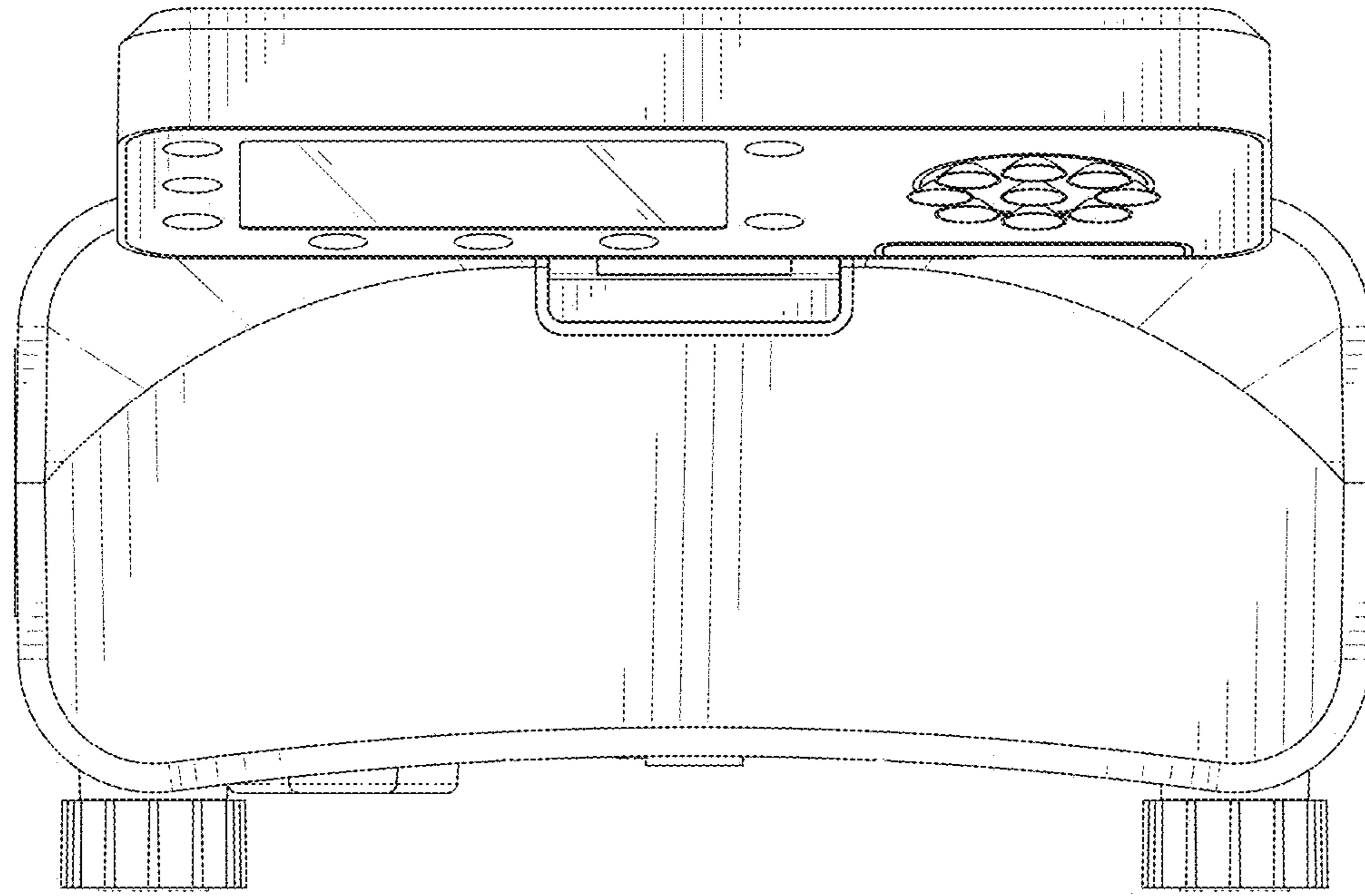


FIG. 7

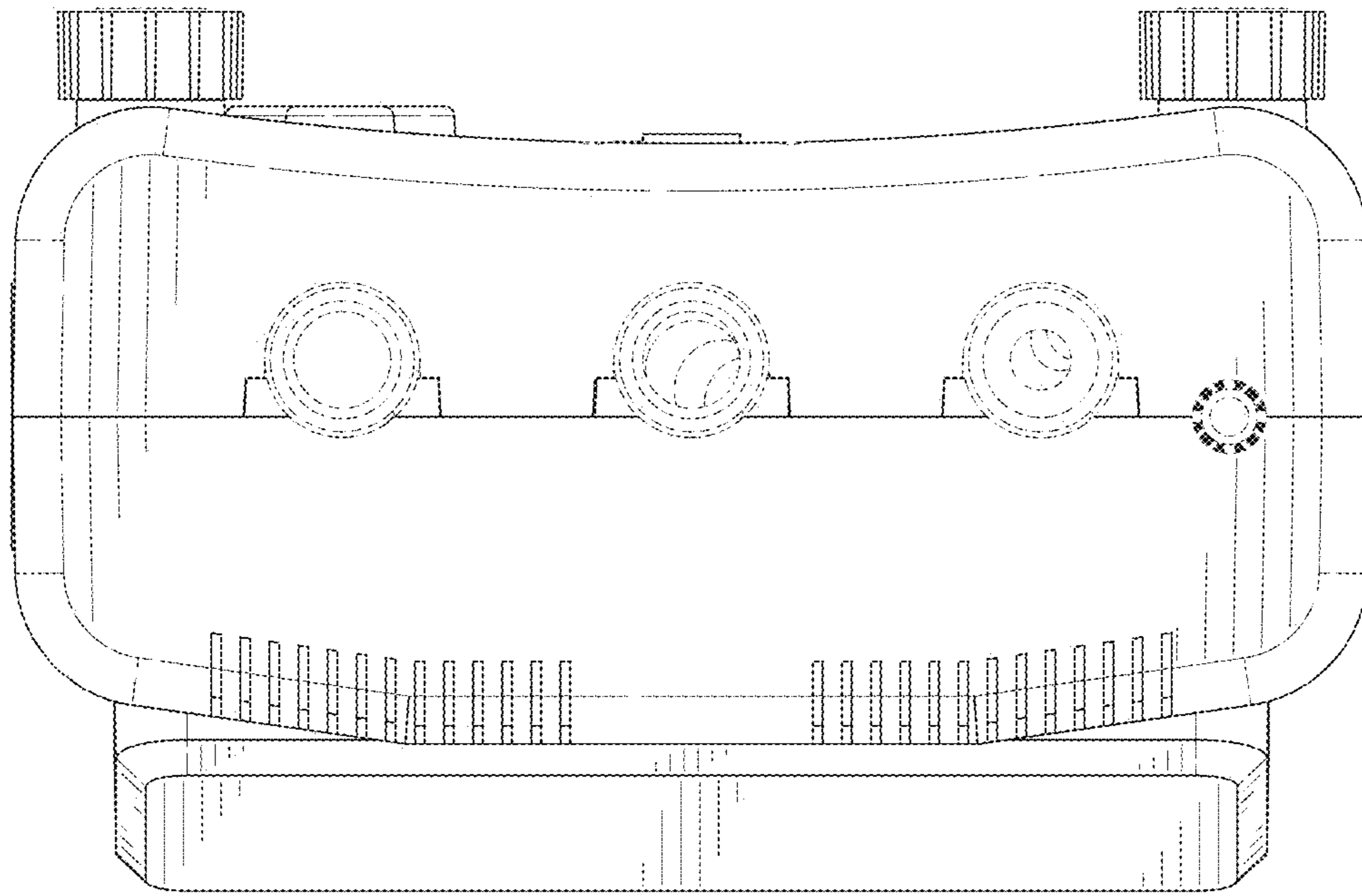


FIG. 8

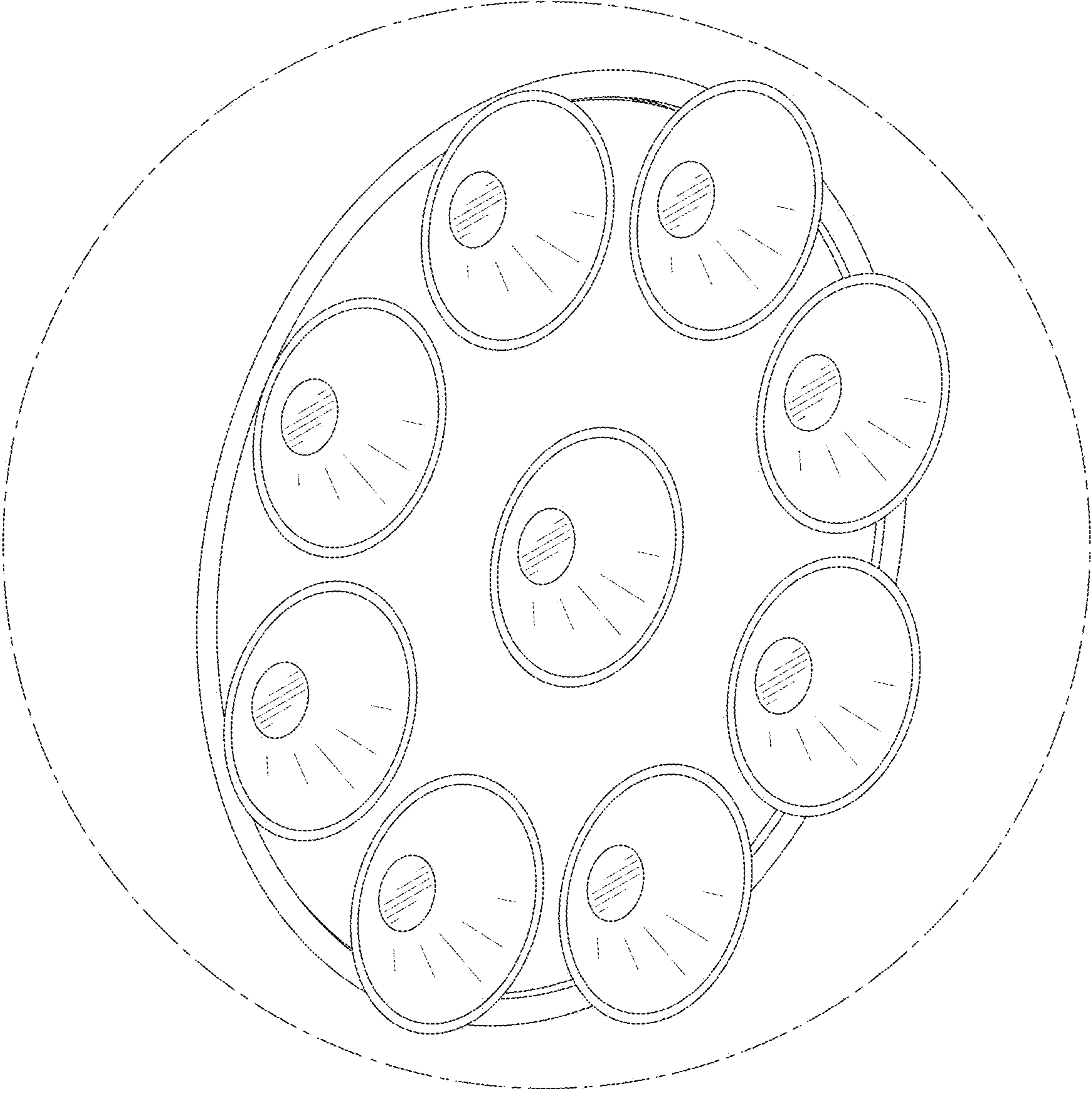


FIG. 9