



US00D981568S

(12) **United States Design Patent**
Sugie

(10) **Patent No.:** **US D981,568 S**
(45) **Date of Patent:** **** Mar. 21, 2023**

- (54) **ELECTROCARDIOGRAPH**
- (71) Applicant: **SHIMADZU CORPORATION**, Kyoto (JP)
- (72) Inventor: **Tomoya Sugie**, Kyoto (JP)
- (73) Assignee: **SHIMADZU CORPORATION**, Kyoto (JP)
- (**) Term: **15 Years**
- (21) Appl. No.: **29/810,074**
- (22) Filed: **Sep. 30, 2021**
- (51) **LOC (14) Cl.** **24-02**
- (52) **U.S. Cl.**
USPC **D24/167**
- (58) **Field of Classification Search**
USPC D24/107, 164–169, 185–187, 200;
D10/98; D14/344
CPC A61B 5/006; A61B 5/0245; A61B 5/346;
A61B 5/332; A61B 2560/0412; A61B
2560/0462
See application file for complete search history.

D895,118 S *	9/2020	Hwang	D24/167
D913,498 S *	3/2021	Hwang	D24/167
D914,218 S *	3/2021	Govari	D24/186
D932,016 S *	9/2021	Lam	D24/167
D936,227 S *	11/2021	Chang	D24/167
D940,326 S *	1/2022	Kinoshita	D24/167
2008/0234592 A1 *	9/2008	Lim	A61B 5/364 600/509

* cited by examiner

Primary Examiner — Anhdao Doan
(74) *Attorney, Agent, or Firm* — JCIPRNET

(57) **CLAIM**

The ornamental design for an electrocardiograph, as shown and described.

DESCRIPTION

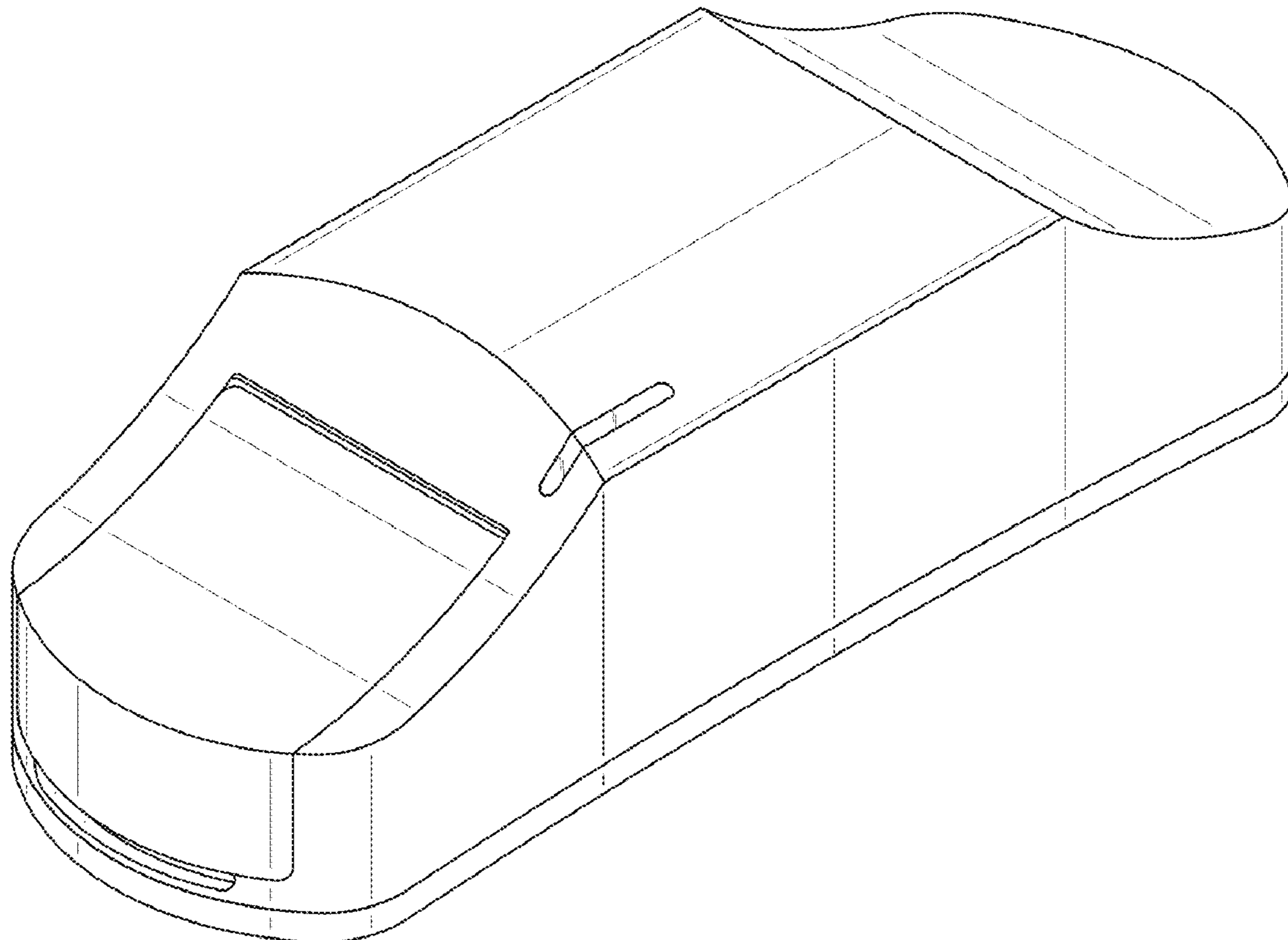
FIG. 1 is a perspective view of an electrocardiograph showing my new design;
FIG. 2 is a front view thereof;
FIG. 3 is a rear view thereof;
FIG. 4 is a left side view thereof;
FIG. 5 is a right side view thereof;
FIG. 6 is a top view thereof; and,
FIG. 7 is a bottom view thereof.
The broken lines in FIG. 7 illustrate portions of the article that form no part of the claimed design.

1 Claim, 5 Drawing Sheets

(56) **References Cited**

U.S. PATENT DOCUMENTS

D830,556 S *	10/2018	Sebban	D24/167
D868,974 S *	12/2019	Albert	D24/167



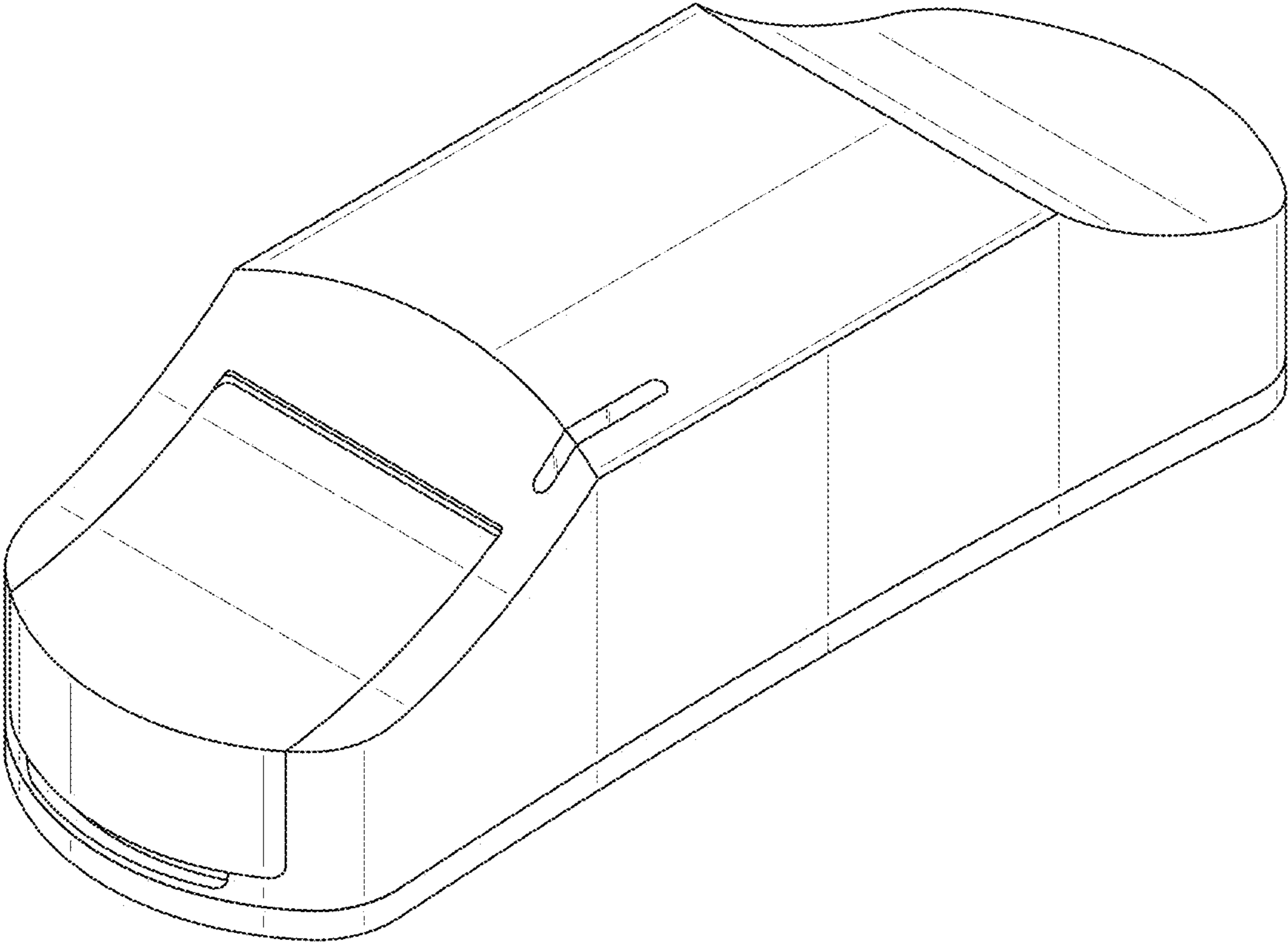


FIG. 1

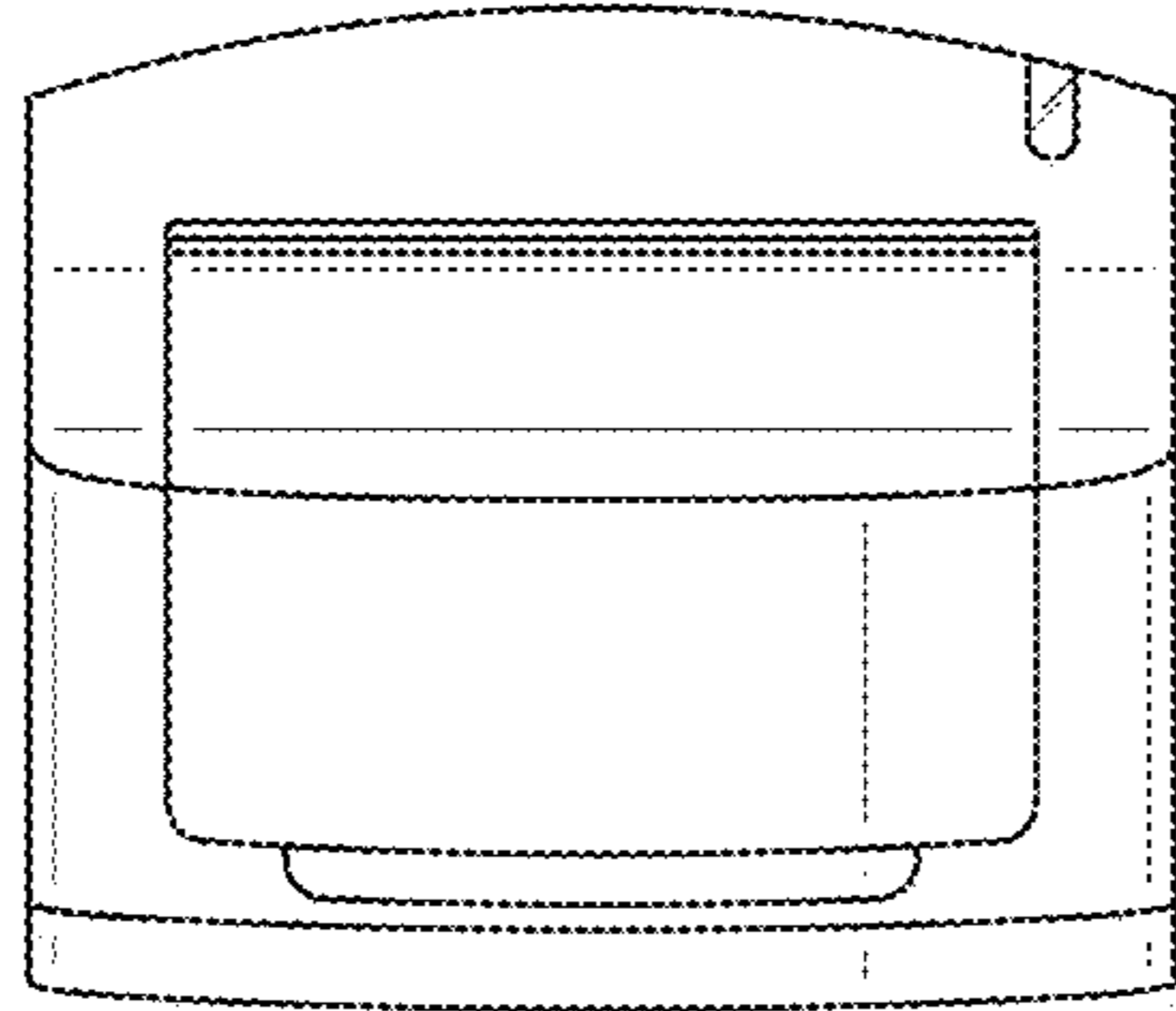


FIG. 2

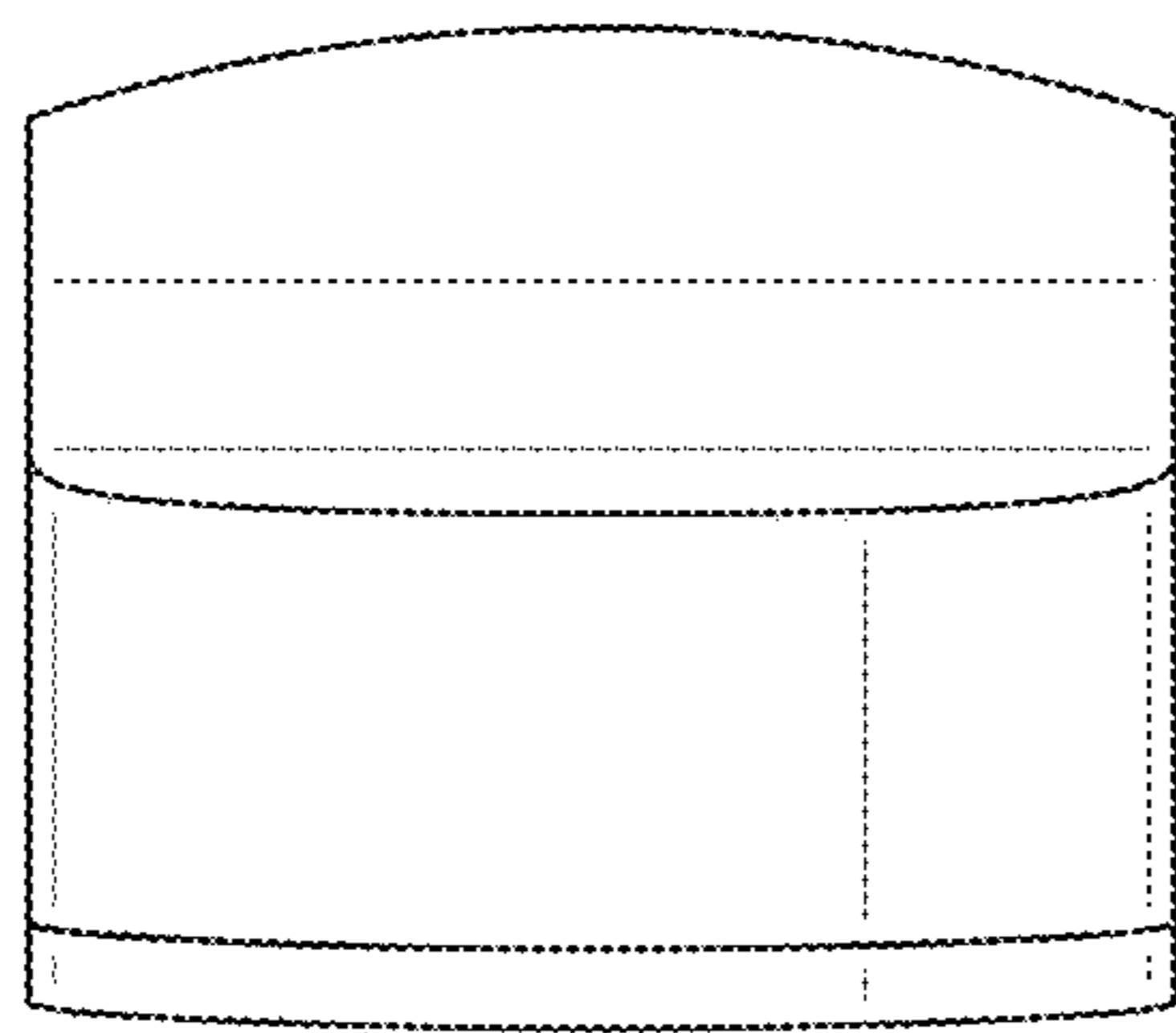


FIG. 3

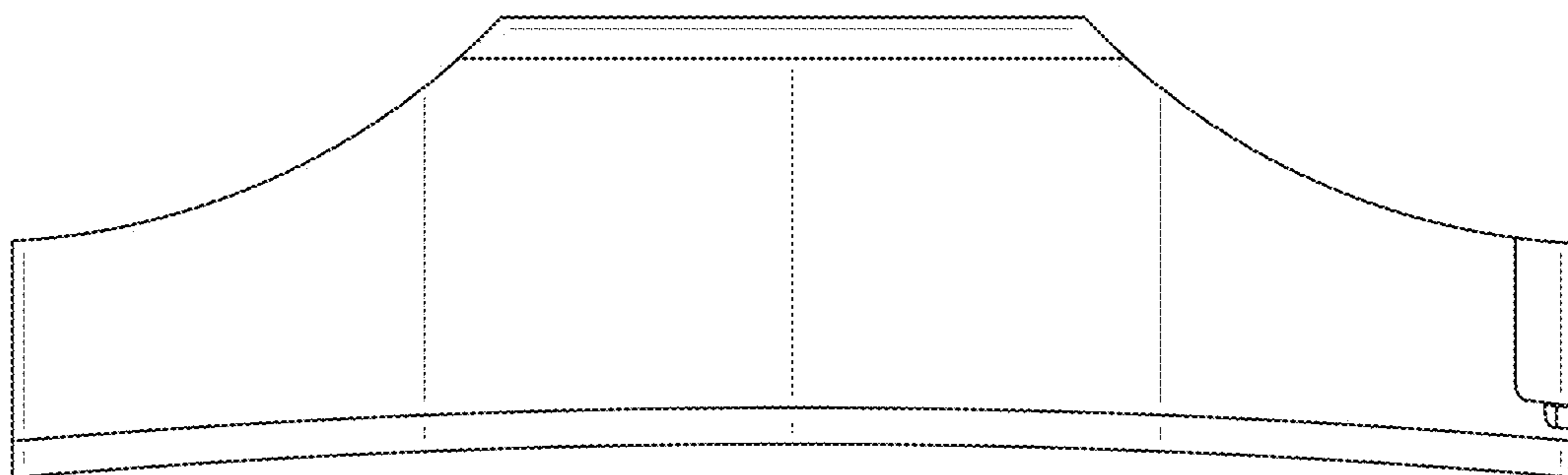


FIG. 4

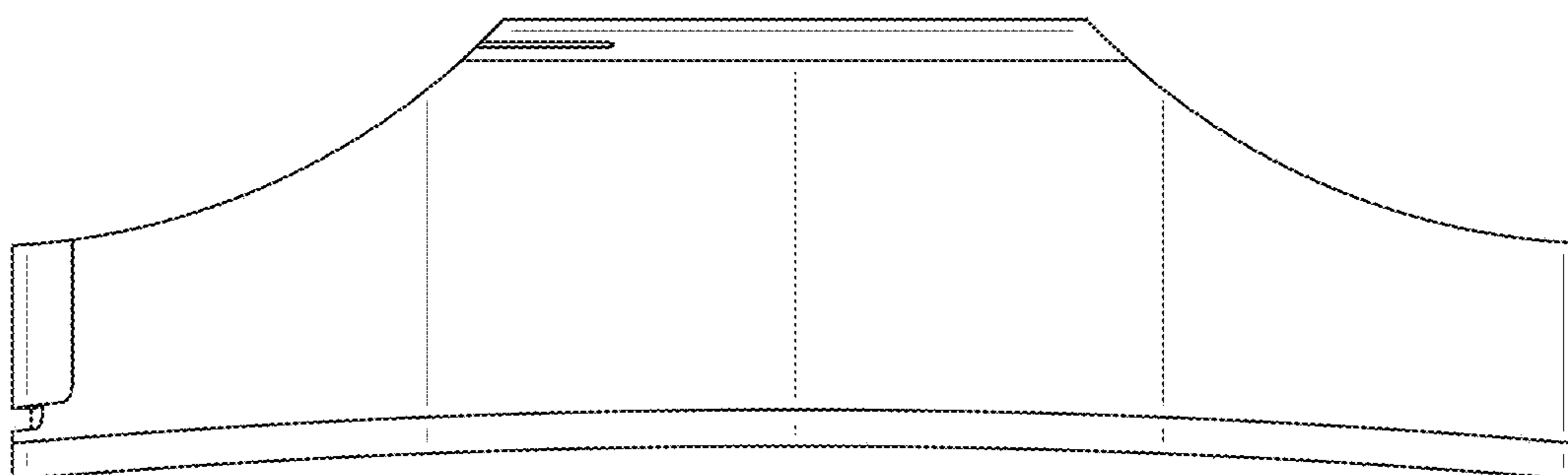


FIG. 5

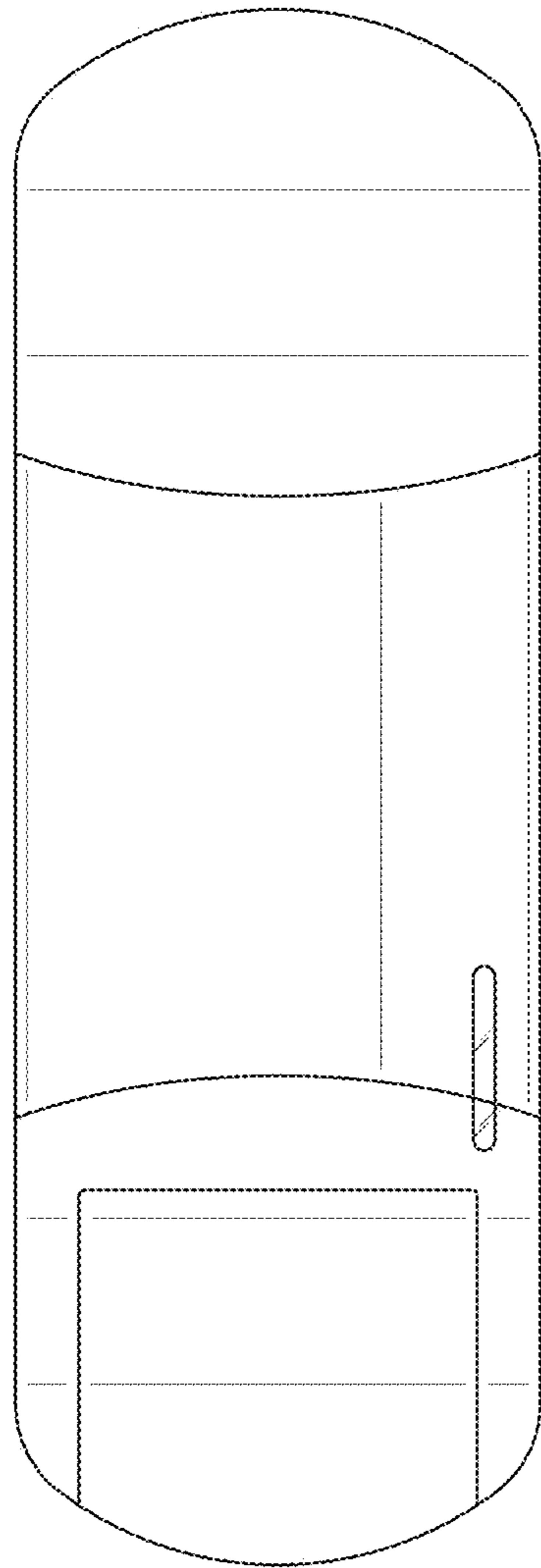


FIG. 6

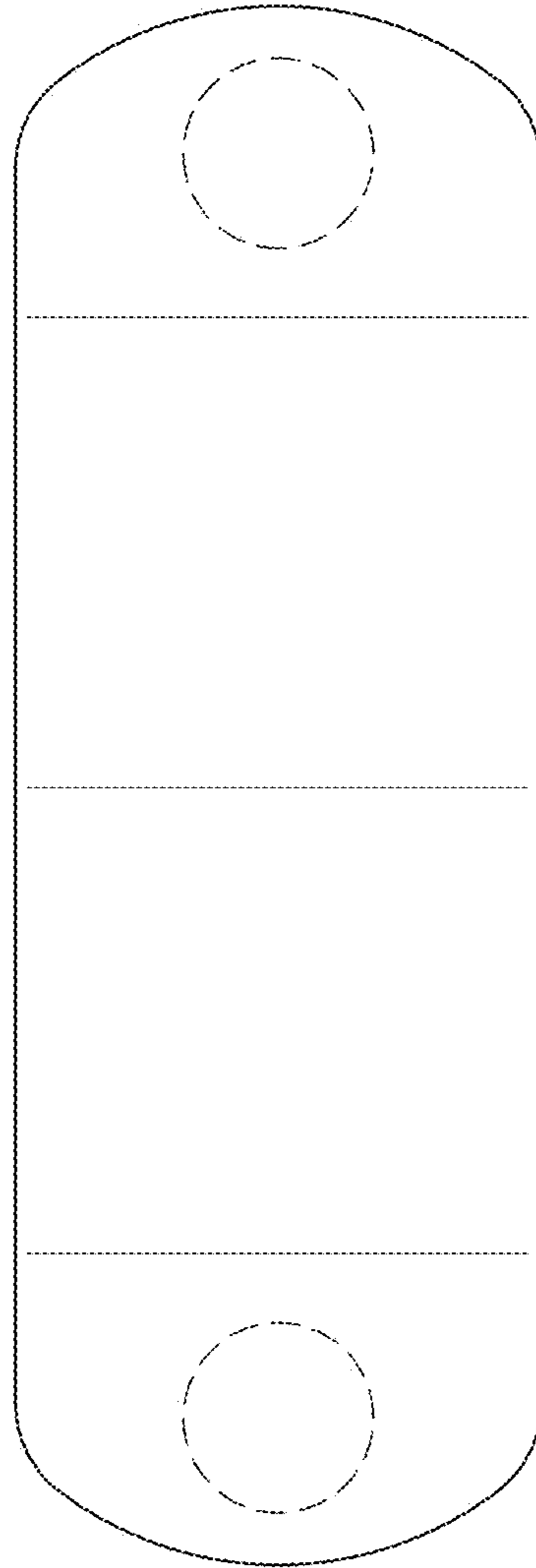


FIG. 7