



US00D981567S

(12) **United States Design Patent**  
**Roffler**

(10) **Patent No.:** **US D981,567 S**  
(45) **Date of Patent:** **\*\* Mar. 21, 2023**

(54) **PART OF AN ARTIFICIAL LUNG VENTILATION APPARATUS**  
(71) Applicant: **HAMILTON MEDICAL AG**, Bonaduz (CH)  
(72) Inventor: **Jürg Roffler**, Chur (CH)  
(\*\*) Term: **15 Years**  
(21) Appl. No.: **35/512,391**  
(22) Filed: **May 3, 2021**  
(80) **Hague Agreement Data**  
Int. Filing Date: **May 3, 2021**  
Int. Reg. No.: **DM/215756**  
Int. Reg. Date: **May 3, 2021**  
Int. Reg. Pub. Date: **Aug. 20, 2021**

(30) **Foreign Application Priority Data**  
Dec. 18, 2020 (EM) ..... 008339204-0001  
Dec. 18, 2020 (EM) ..... 008339204-0002  
Dec. 18, 2020 (EM) ..... 008339204-0003  
Dec. 18, 2020 (EM) ..... 008339204-0004  
Dec. 18, 2020 (EM) ..... 008339204-0005  
Dec. 18, 2020 (EM) ..... 008339204-0006

(51) **LOC (14) Cl.** ..... **24-02**  
(52) **U.S. Cl.**  
USPC ..... **D24/164**  
(58) **Field of Classification Search**  
USPC ..... D24/164, 110, 110.1; D23/231; D15/7  
CPC ... A61B 5/0833; H05G 1/44; A61M 39/0247;  
A61M 1/3627; A61M 16/0084; A61M 1/32; A61M 16/0463; A61M 16/0048;  
A61H 31/008  
See application file for complete search history.

(56) **References Cited**  
U.S. PATENT DOCUMENTS  
2,943,198 A \* 6/1960 Godbarsen, Jr. .... H05G 1/44  
250/233  
3,303,845 A \* 2/1967 Detmer, III ..... A61M 16/0048  
128/202.28

3,827,562 A \* 8/1974 Esmond ..... A61M 1/3627  
604/122  
4,188,360 A \* 2/1980 Kurata ..... A61M 1/32  
422/46  
4,231,988 A \* 11/1980 Kurata ..... A61M 1/32  
261/122.1  
D279,705 S \* 7/1985 Wada ..... D24/164  
D280,340 S \* 8/1985 Wada ..... D24/164  
4,537,191 A \* 8/1985 Blumensaadt .... A61M 16/0084  
D23/231  
D309,011 S \* 7/1990 Arioka ..... D15/7  
5,181,508 A \* 1/1993 Poole, Jr. .... A61M 16/0463  
128/207.14  
5,642,726 A \* 7/1997 Owens ..... A61M 16/0463  
128/207.14

(Continued)

Primary Examiner — Rhea Shields

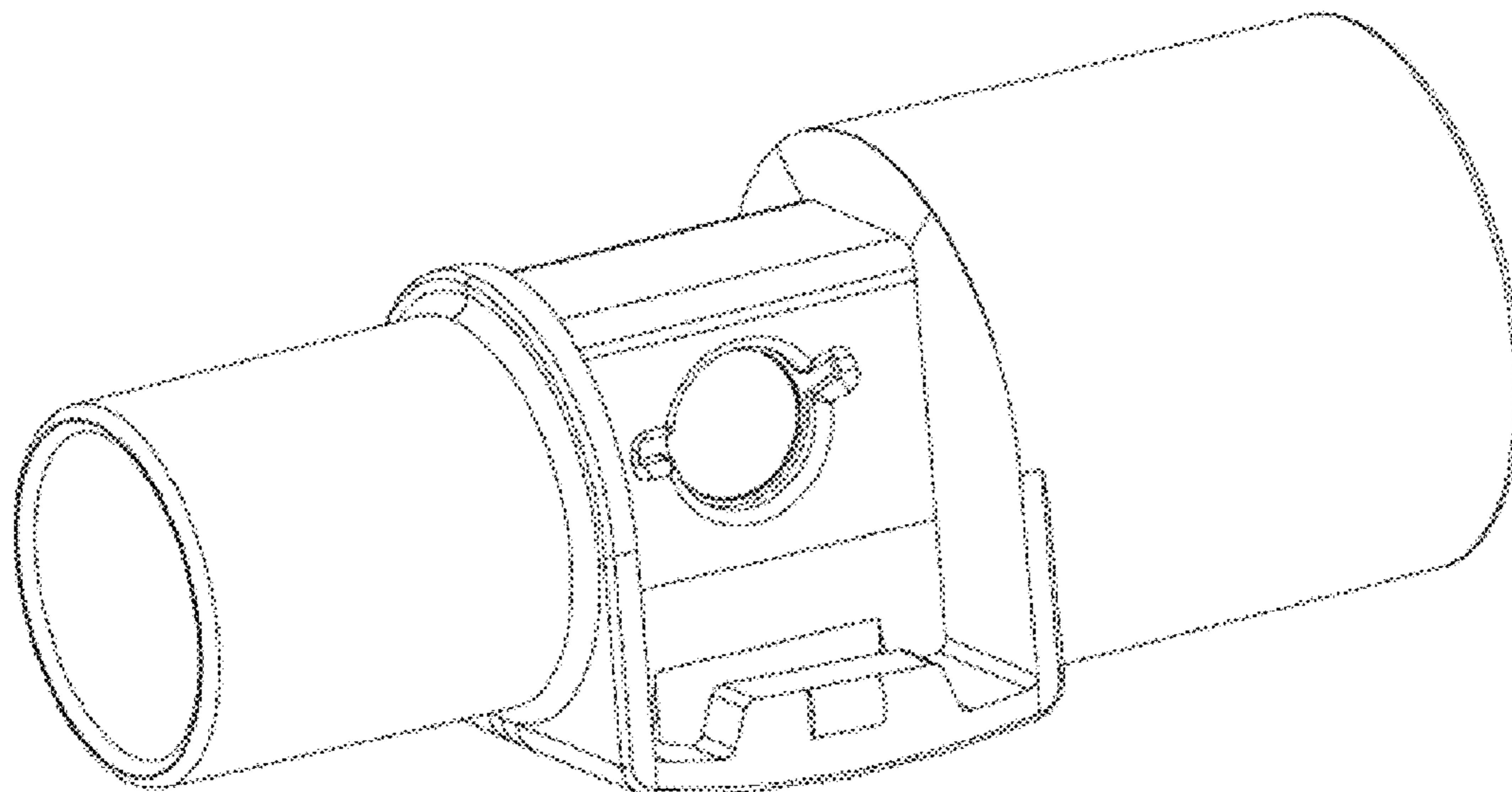
(57) **CLAIM**

The ornamental design for a part of an artificial lung ventilation apparatus, as shown and described.

**DESCRIPTION**

- 2.1 is a front view;
- 2.2 is a rear view;
- 2.3 is a side view;
- 2.4 is another side view;
- 2.5 is a top view;
- 2.6 is a bottom view; and
- 2.7 is a perspective view.
- 3.1 is a front view;
- 3.2 is a rear view;
- 3.3 is a side view;
- 3.4 is another side view;
- 3.5 is a top view;
- 3.6 is a bottom view; and
- 3.7 is a perspective view.

**1 Claim, 14 Drawing Sheets**



(56)

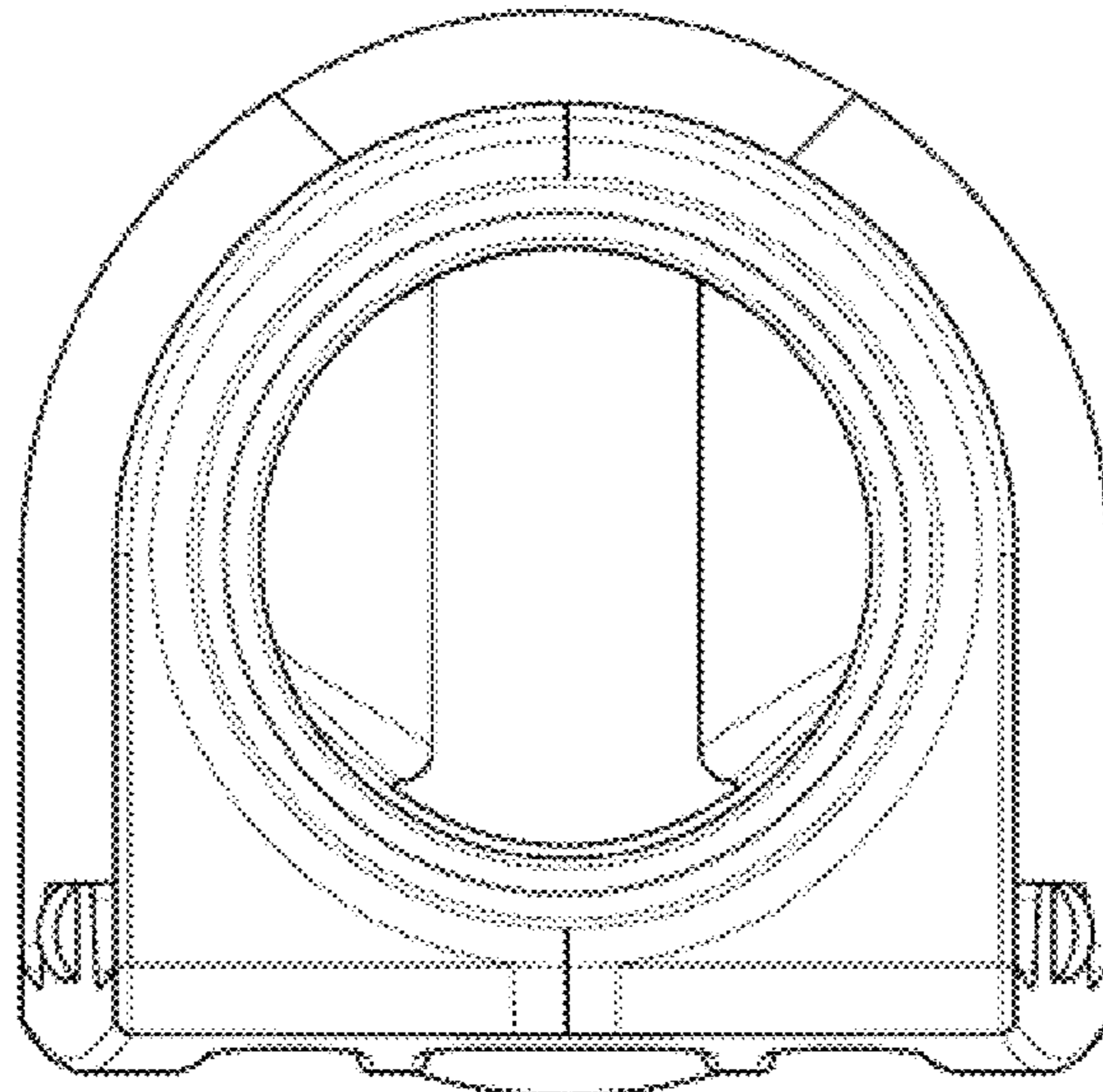
**References Cited**

U.S. PATENT DOCUMENTS

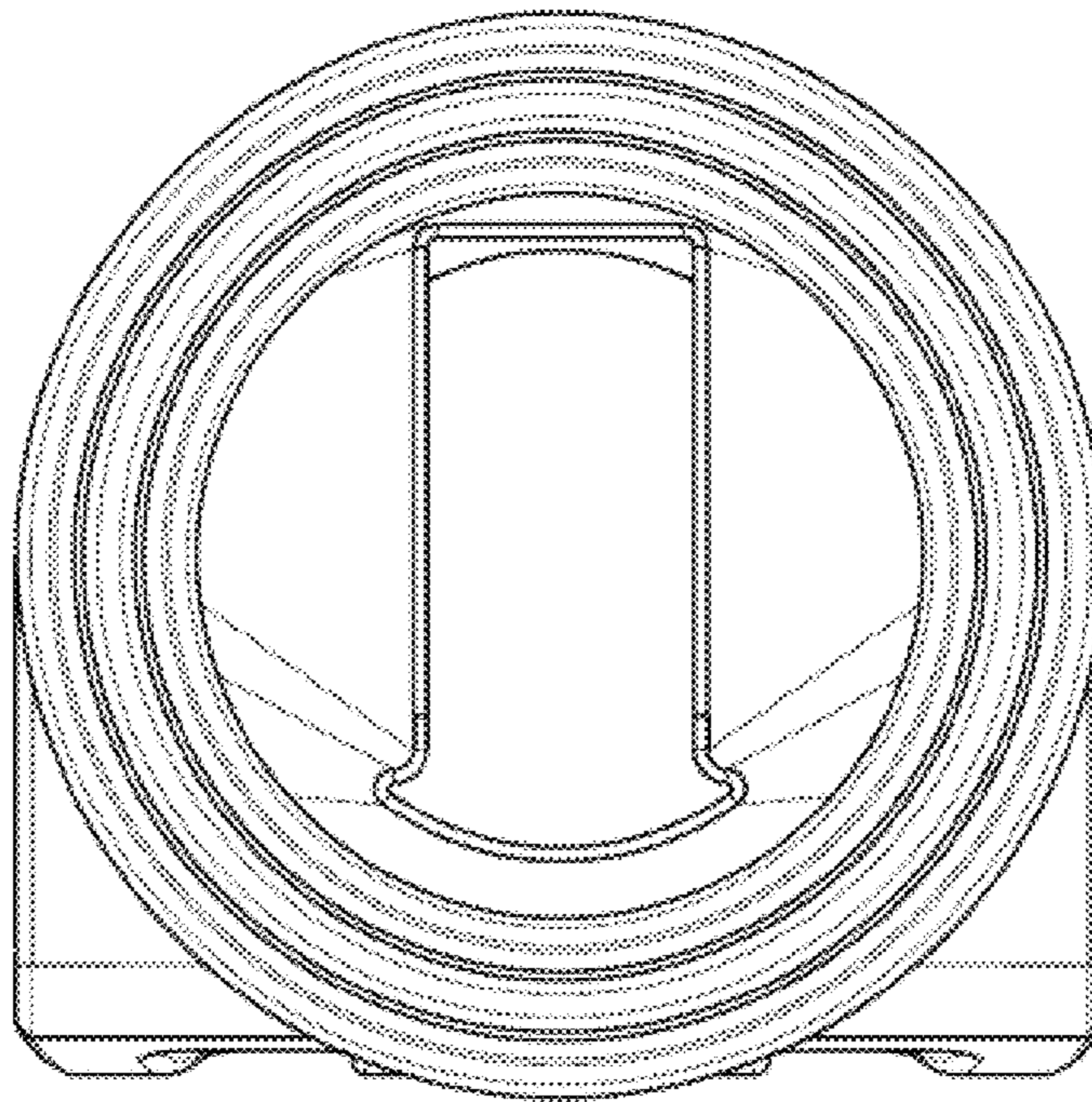
6,484,724 B1 \* 11/2002 Sloan ..... A61M 16/0463  
128/202.27  
6,955,650 B2 \* 10/2005 Mault ..... A61B 5/0833  
600/529  
8,256,422 B2 \* 9/2012 Brewer ..... A61M 16/0463  
128/207.14  
8,464,708 B2 \* 6/2013 Plough ..... A61M 39/0247  
128/205.12  
D751,716 S \* 3/2016 Mirzoyan ..... D24/164  
D759,230 S \* 6/2016 Gordon ..... D24/110  
10,179,087 B2 \* 1/2019 Sebelius ..... A61H 31/008  
D868,241 S \* 11/2019 de-Stefani ..... D24/110.1  
D885,580 S \* 5/2020 Xiao ..... D24/164

\* cited by examiner

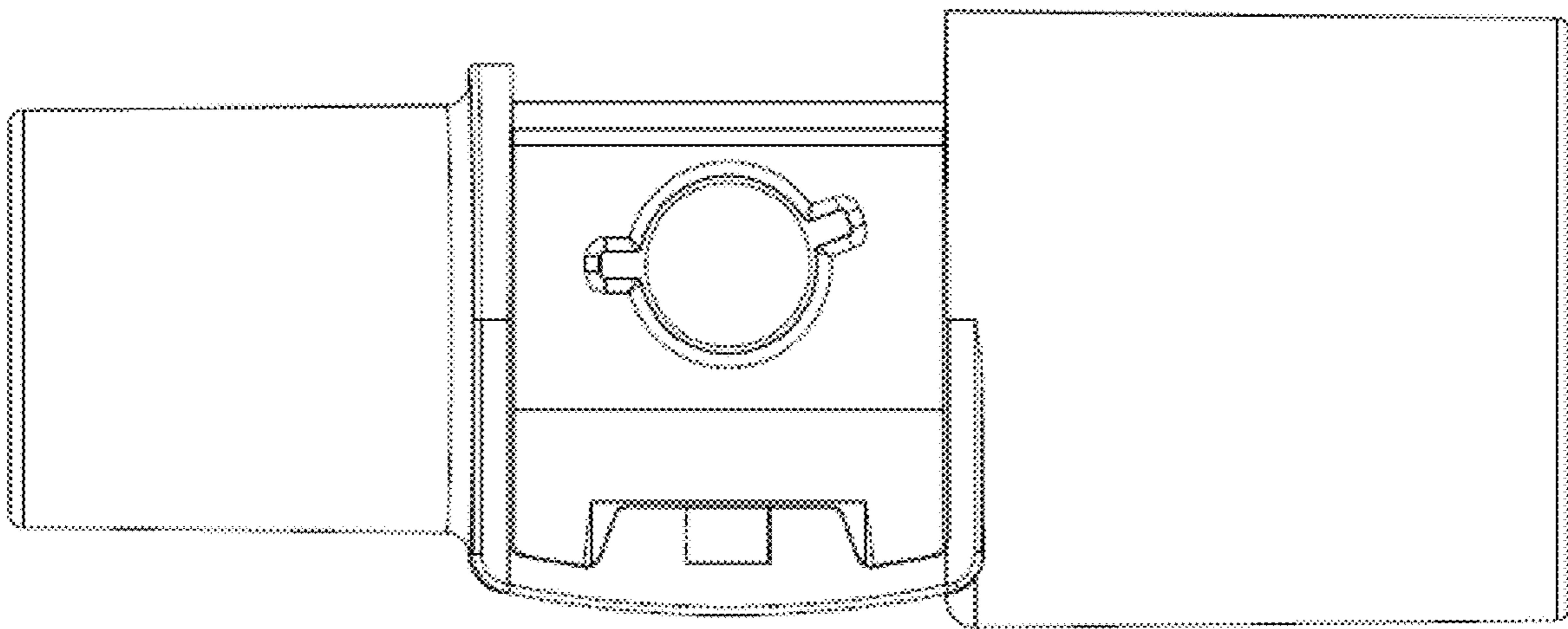
# 2.1



2.2

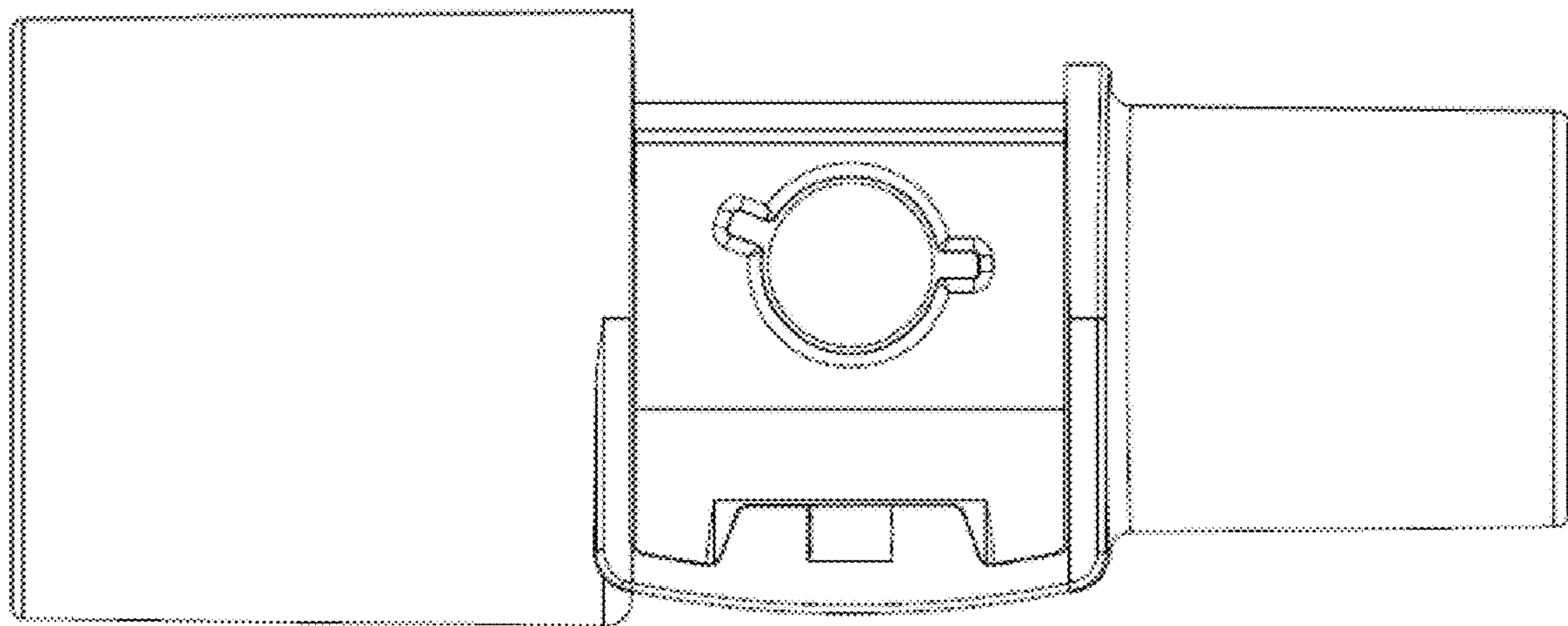


# 2.3

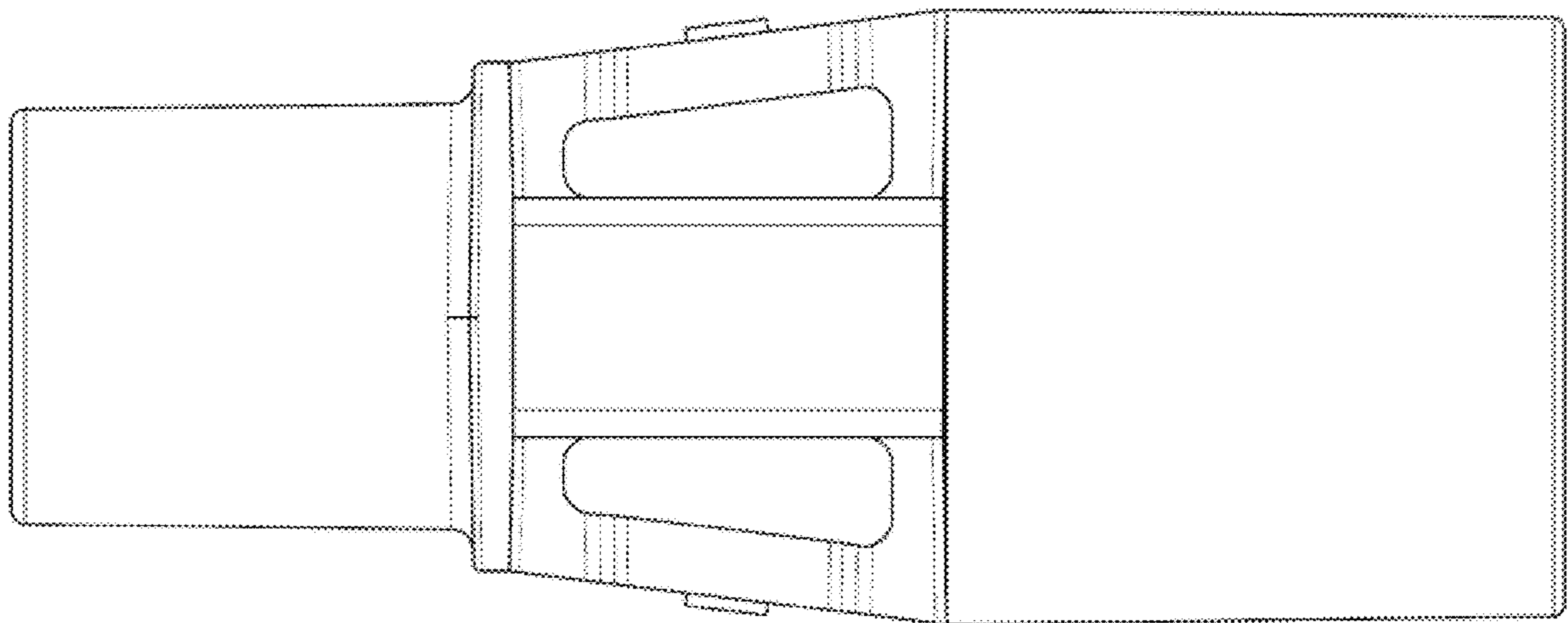




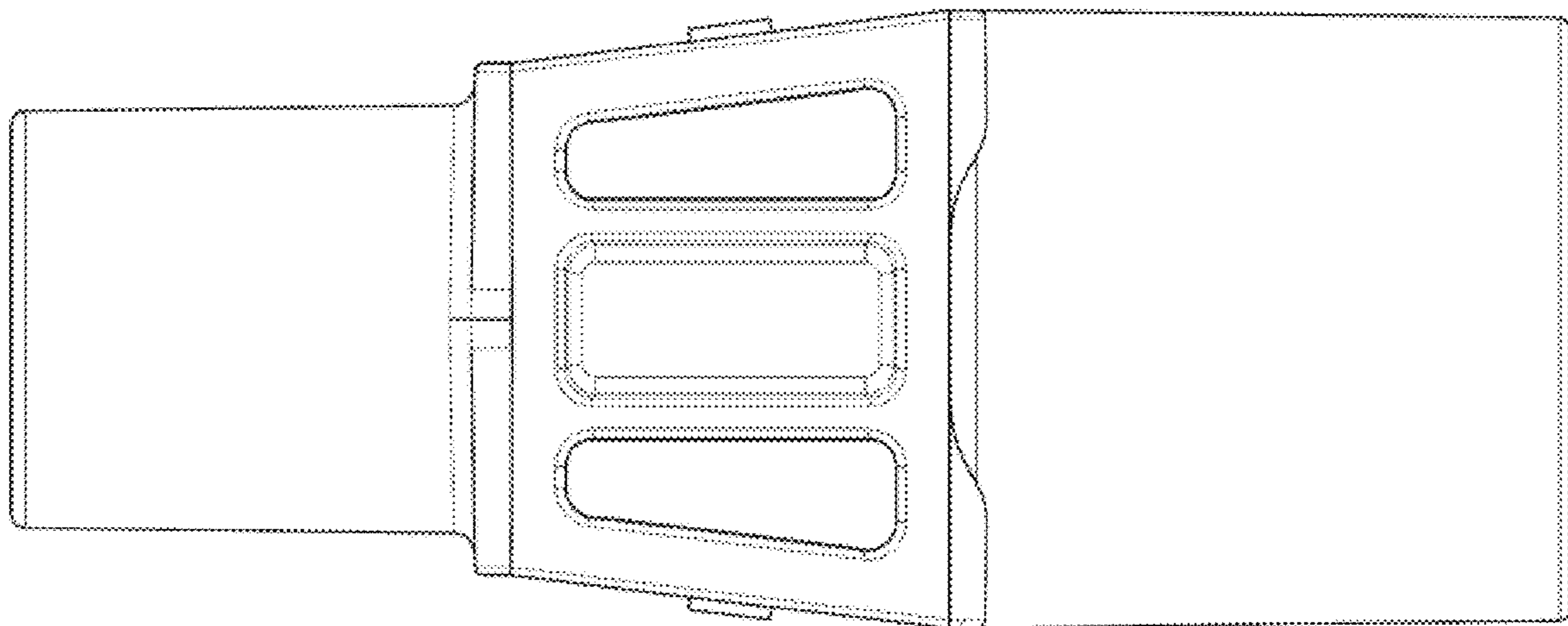
# 2.4



2.5

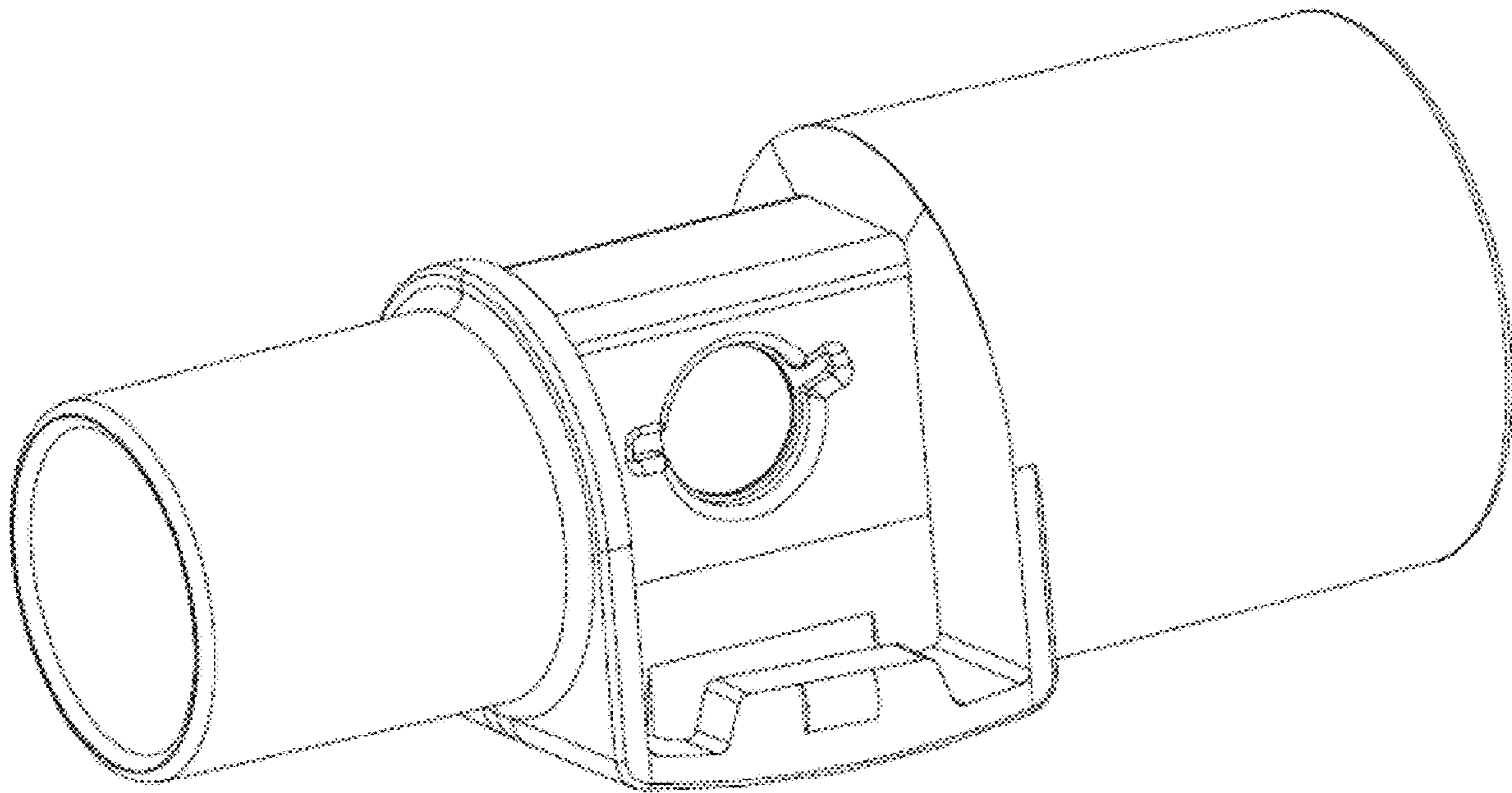


2.6

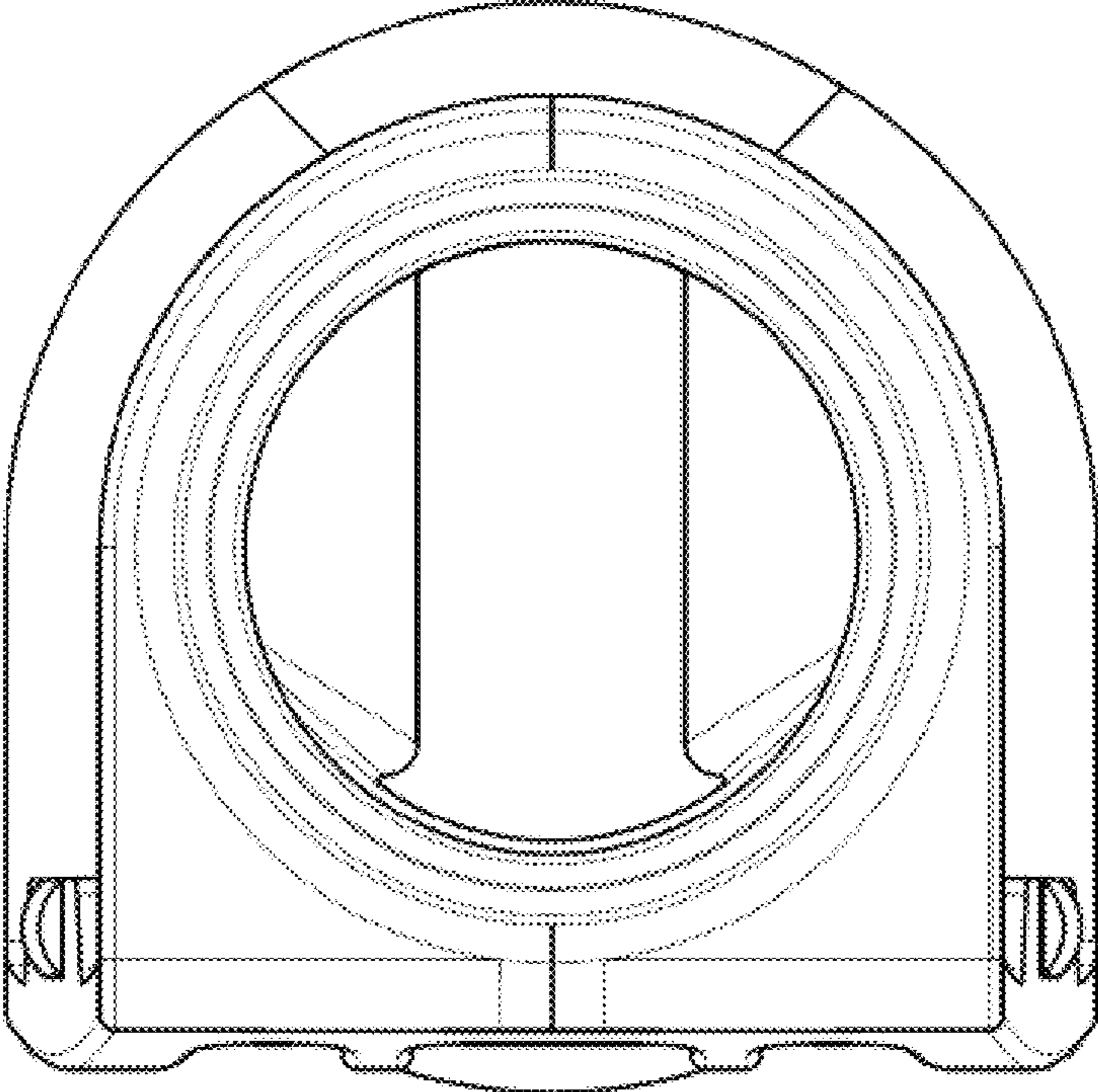




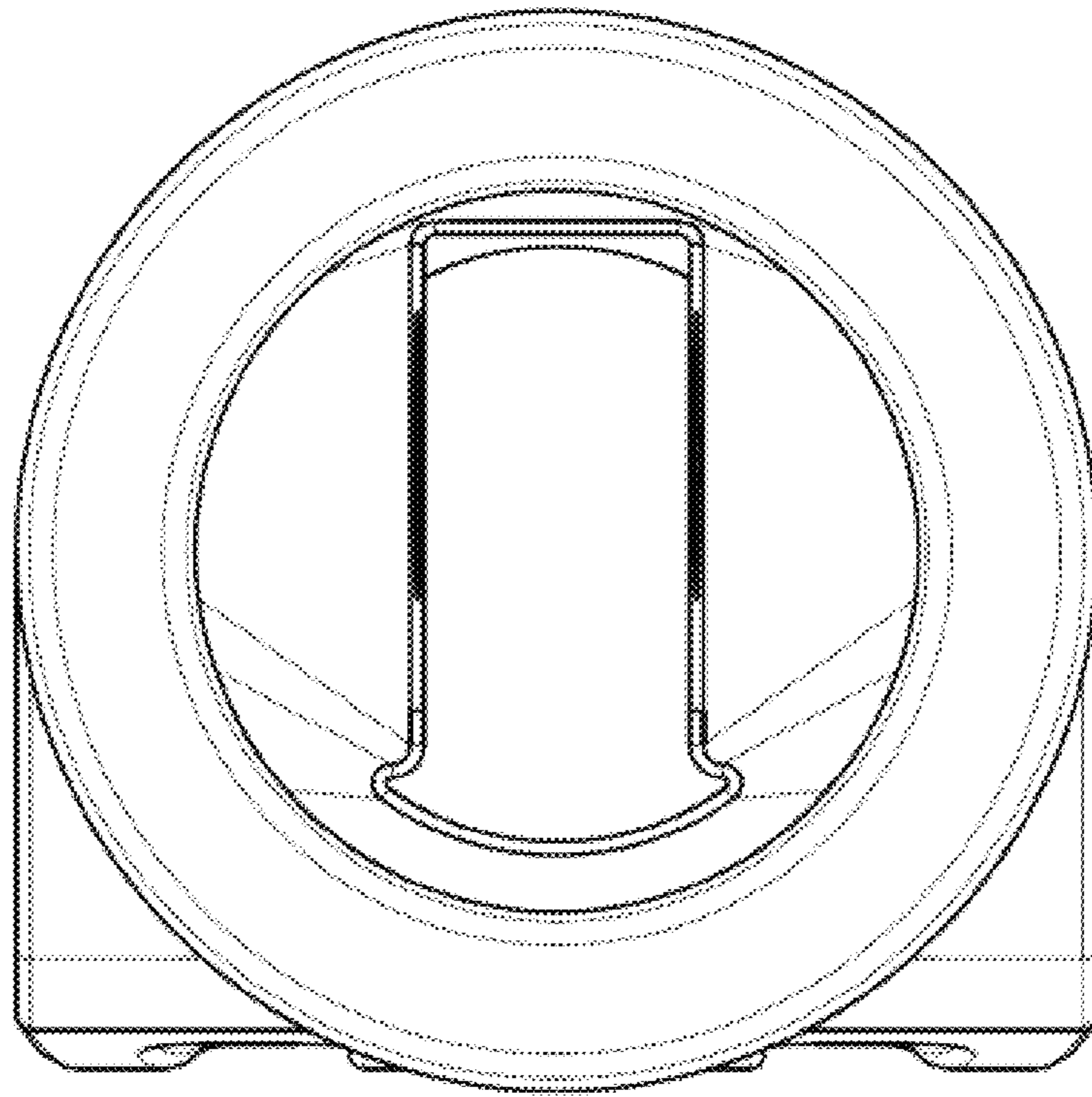
2.7



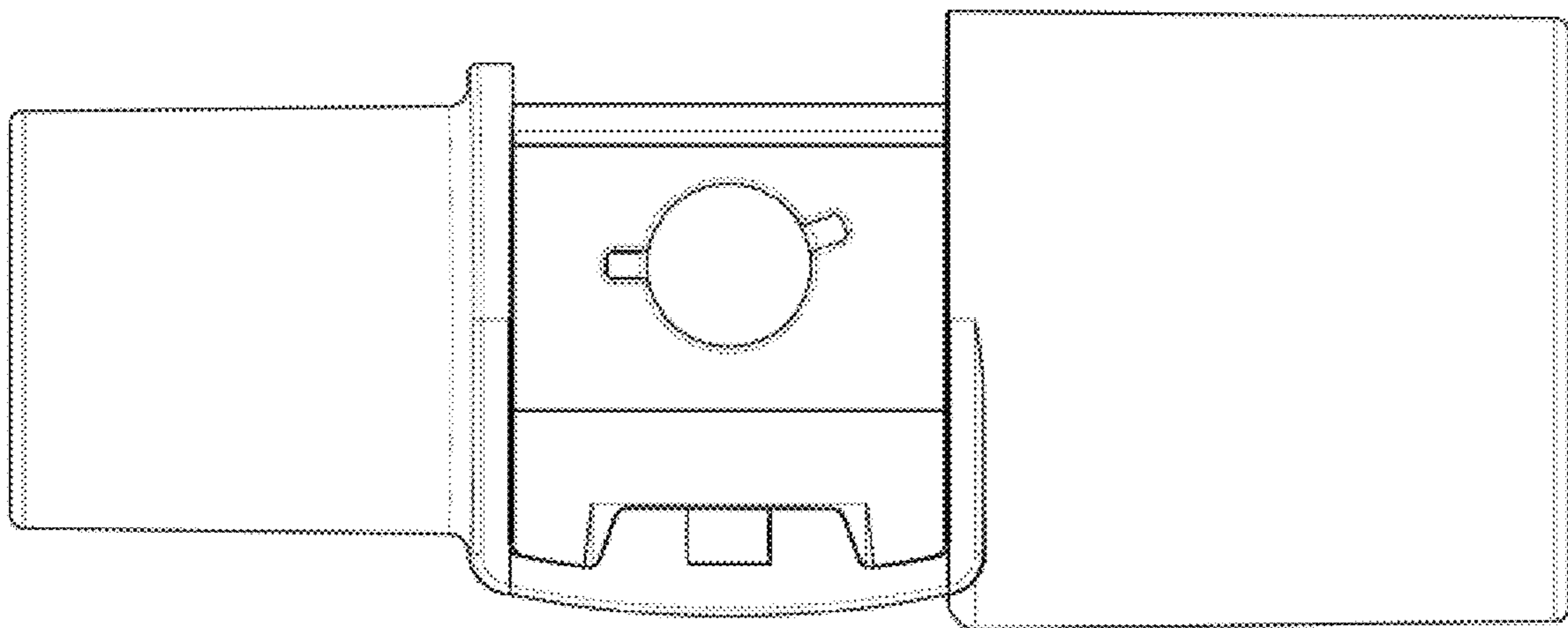
**3.1**



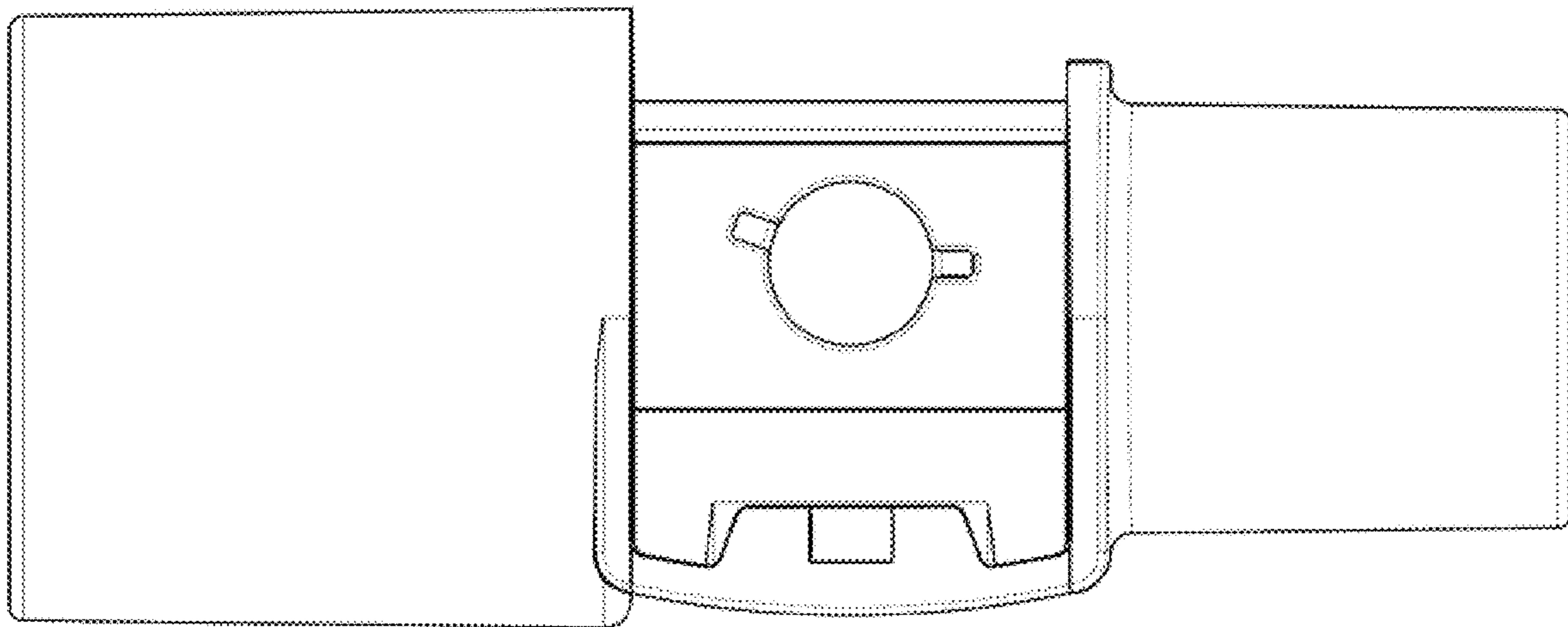
**3.2**



### 3.3

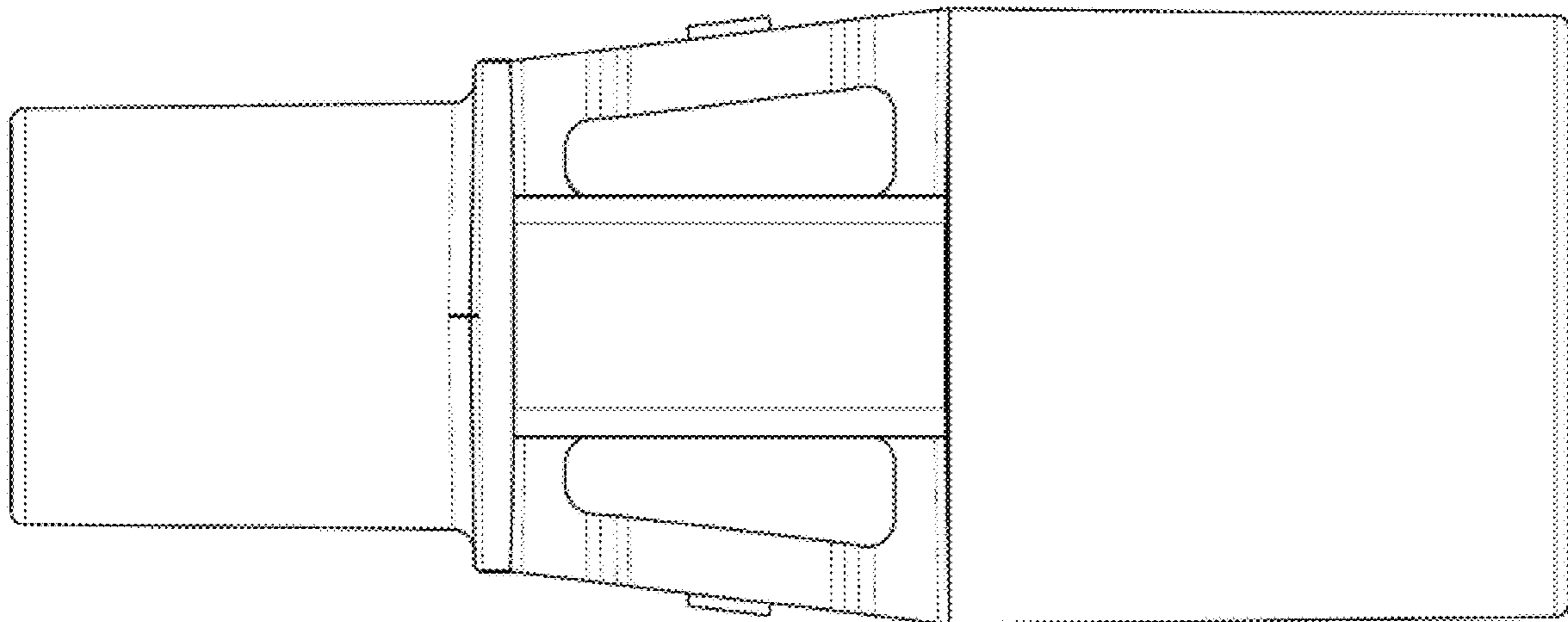


### 3.4

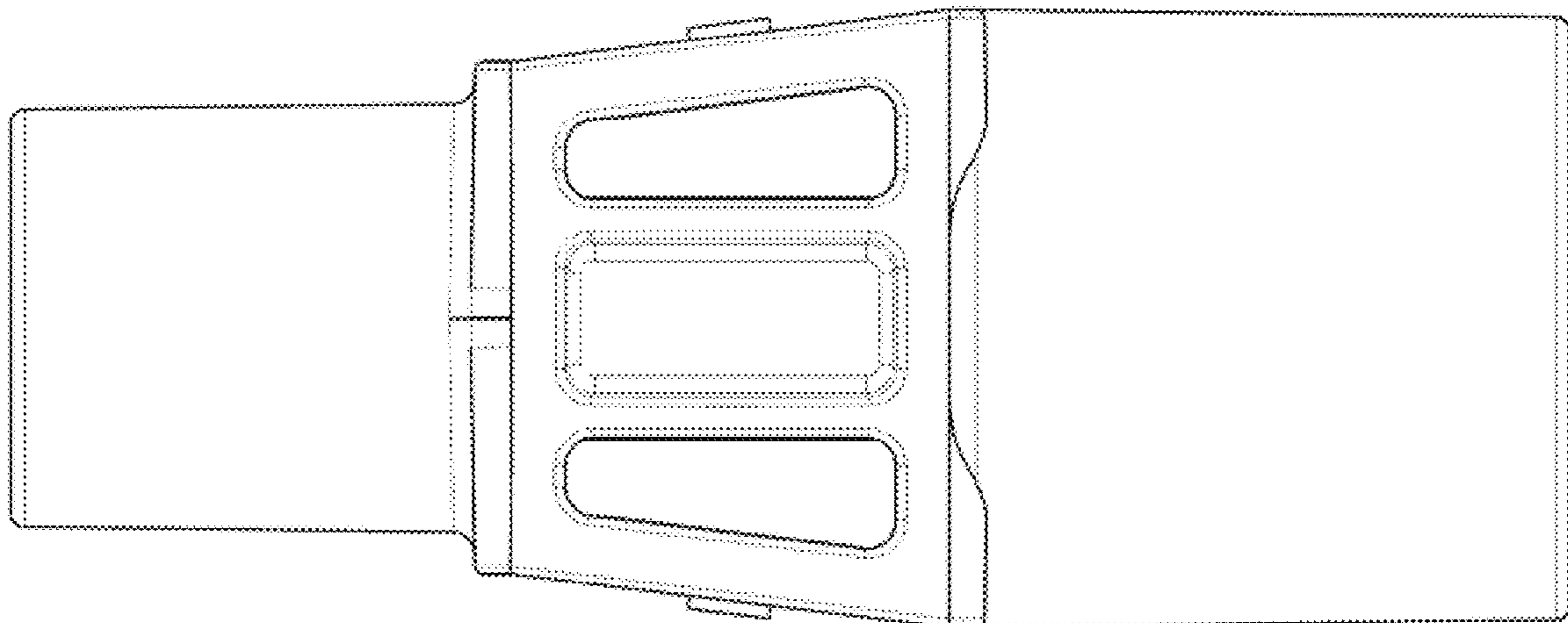




3.5



3.6



**3.7**

