



US00D981566S

(12) **United States Design Patent**
Selby

(10) **Patent No.:** **US D981,566 S**
(45) **Date of Patent:** **** Mar. 21, 2023**

(54) **HYPERBARIC CHAMBER**
(71) Applicant: **SOS Group GBR Limited**, London (GB)
(72) Inventor: **Paul Nicholas Selby**, London (GB)
(**) Term: **15 Years**

2004/0261796 A1* 12/2004 Butler A61G 10/026
128/205.26
2008/0006272 A1* 1/2008 Lewis A61G 10/026
128/205.26
2010/0059059 A1* 3/2010 Evans A61G 10/026
128/205.26
2013/0047988 A1* 2/2013 Delp, II A61M 16/085
128/204.22
2022/0160565 A1* 5/2022 Ryder A61G 10/026

(21) Appl. No.: **35/512,143**

FOREIGN PATENT DOCUMENTS

(22) Filed: **Nov. 23, 2020**

WO WO-2008014617 A1 * 2/2008 A61G 10/026

(80) **Hague Agreement Data**

* cited by examiner

Int. Filing Date: **Nov. 23, 2020**
Int. Reg. No.: **DM/215049**
Int. Reg. Date: **Nov. 23, 2020**
Int. Reg. Pub. Date: **Jul. 9, 2021**

Primary Examiner — Michael A. Pratt

(51) **LOC (14) Cl.** **24-01**

(57) **CLAIM**

(52) **U.S. Cl.**

The ornamental design for a hyperbaric chamber, as shown and described.

USPC **D24/164**

DESCRIPTION

(58) **Field of Classification Search**

USPC D24/164, 202
CPC B65D 81/20; A61G 10/026; A62B 31/00
See application file for complete search history.

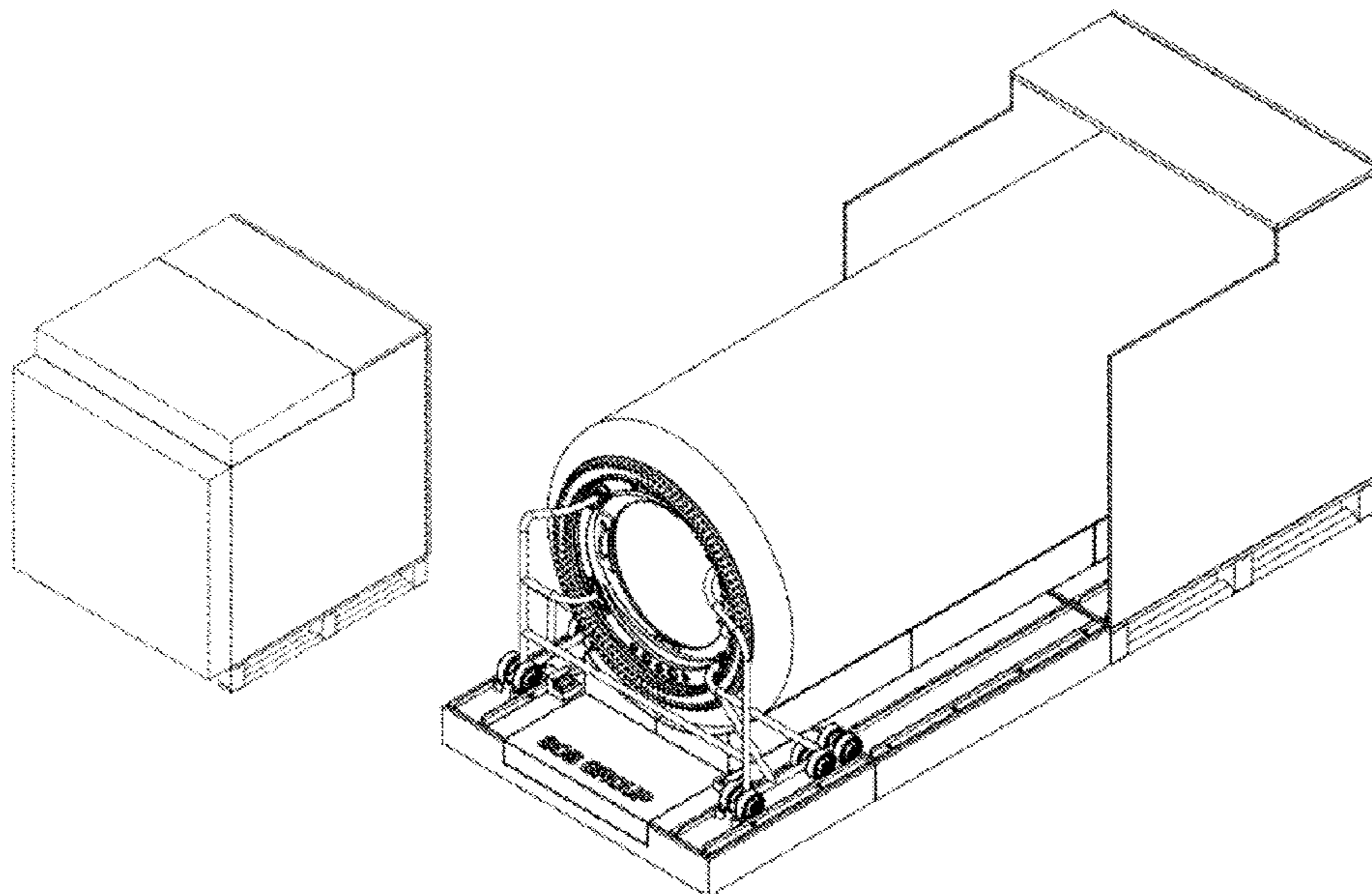
1. Hyperbaric chamber
1.1 is a bottom view of a hyperbaric chamber in a closed position; 1.2 is a left side view of the hyperbaric chamber in a closed position; 1.3 is a front view of the hyperbaric chamber in a closed position; 1.4 is a bottom view of the hyperbaric chamber in an open position; 1.5 is a front view of the hyperbaric chamber in an open position; 1.6 is a left side view of the hyperbaric chamber in an open position; 1.7 is a perspective view of the hyperbaric chamber in a closed position; 1.8 is a perspective view of the hyperbaric chamber in an open position; 1.9 is a back view of the hyperbaric chamber in a closed position; 1.10 is a back view of the hyperbaric chamber in an open position; 1.11 is a right side view of the hyperbaric chamber in an open position; 1.12 is a top view of the hyperbaric chamber in an open position.

(56) **References Cited**

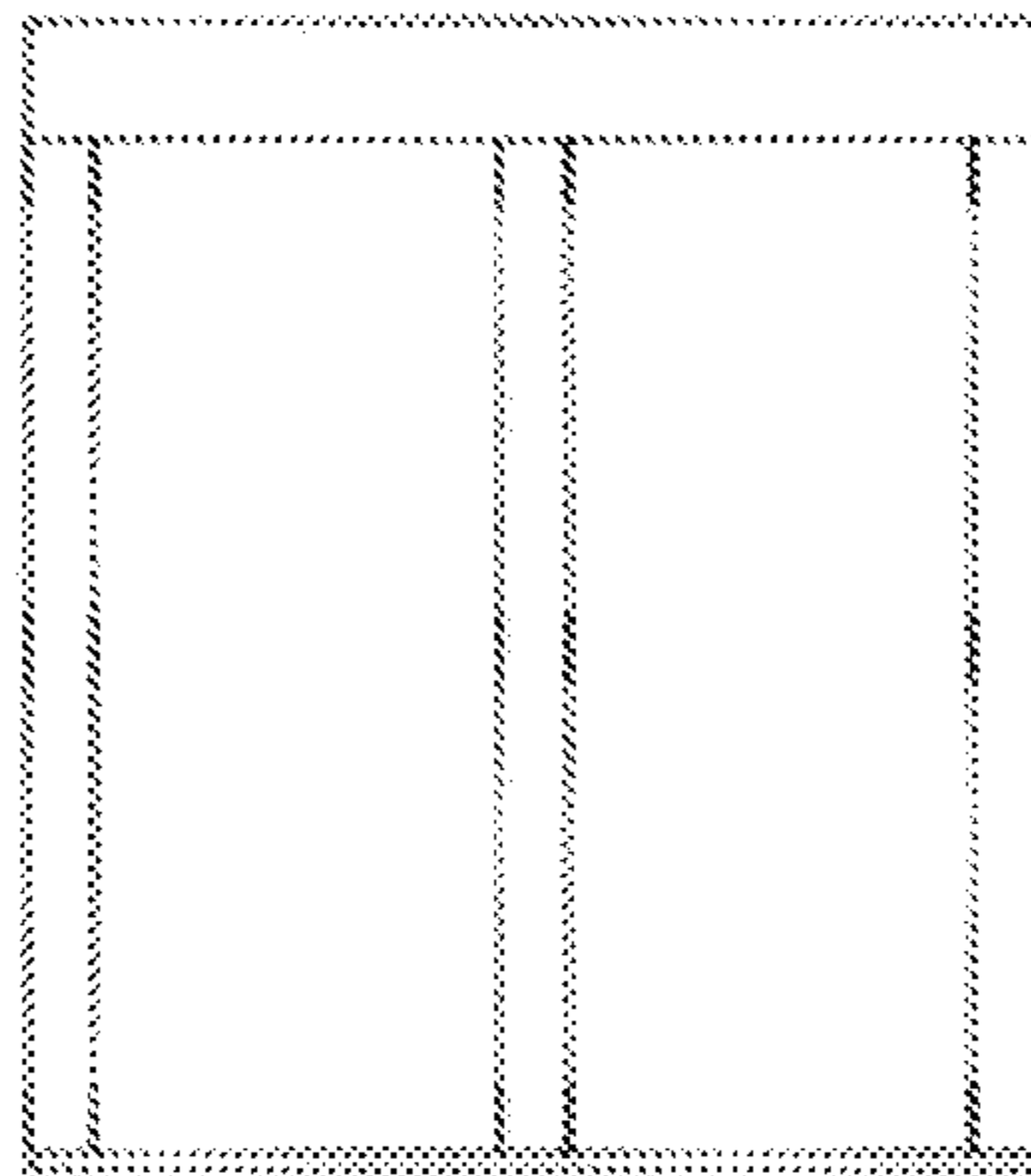
U.S. PATENT DOCUMENTS

4,509,513 A * 4/1985 Lasley A61G 10/026
128/205.26
4,727,870 A * 3/1988 Krasle A61G 10/026
128/205.26
6,321,746 B1 * 11/2001 Schneider A61G 10/026
128/205.26
D651,714 S * 1/2012 Dougherty D24/163
D727,510 S * 4/2015 Talati D24/164
D936,851 S * 11/2021 Janicki D24/202
2004/0255945 A1 * 12/2004 Cheng E05B 7/00
128/205.26

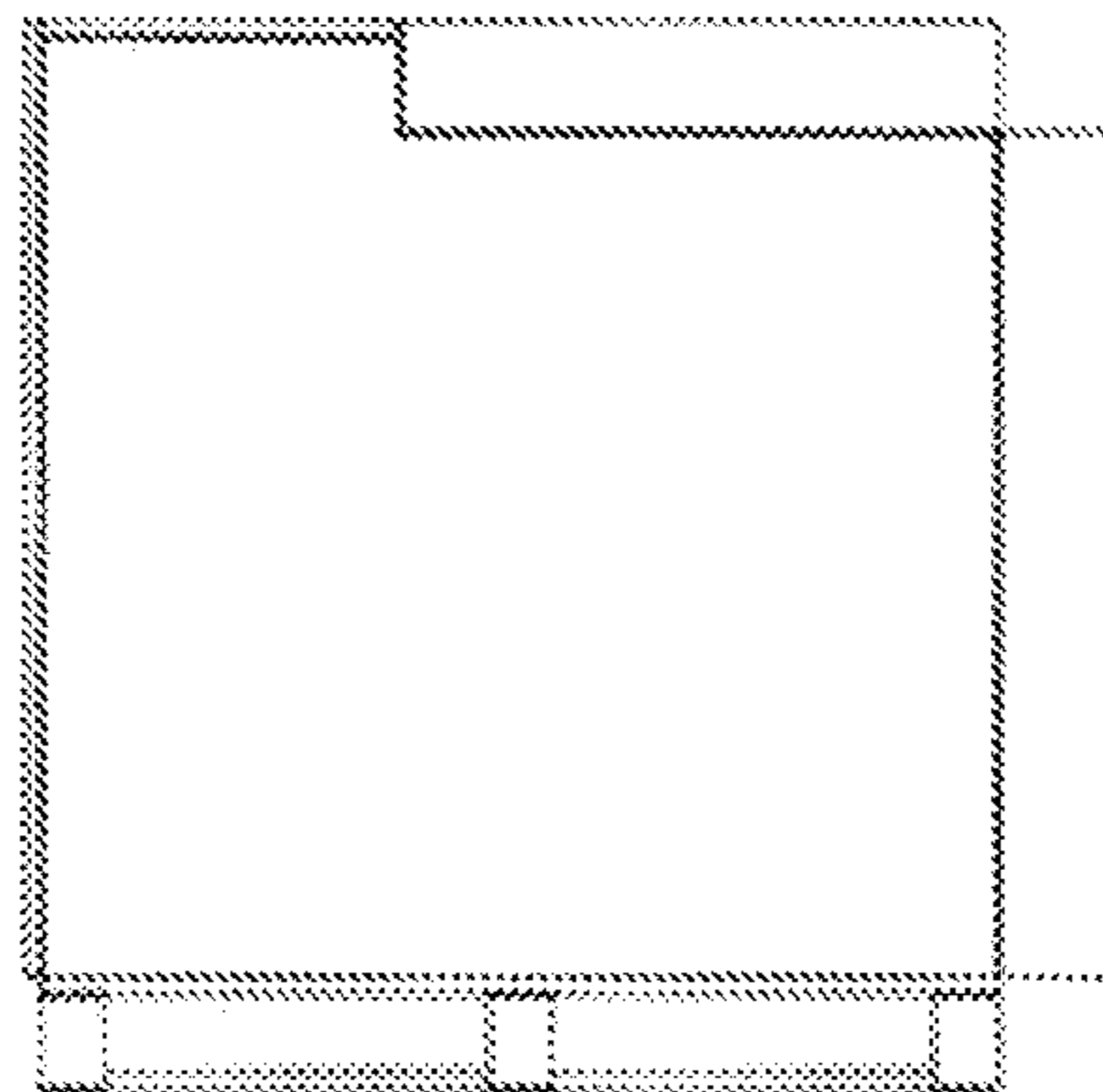
1 Claim, 12 Drawing Sheets



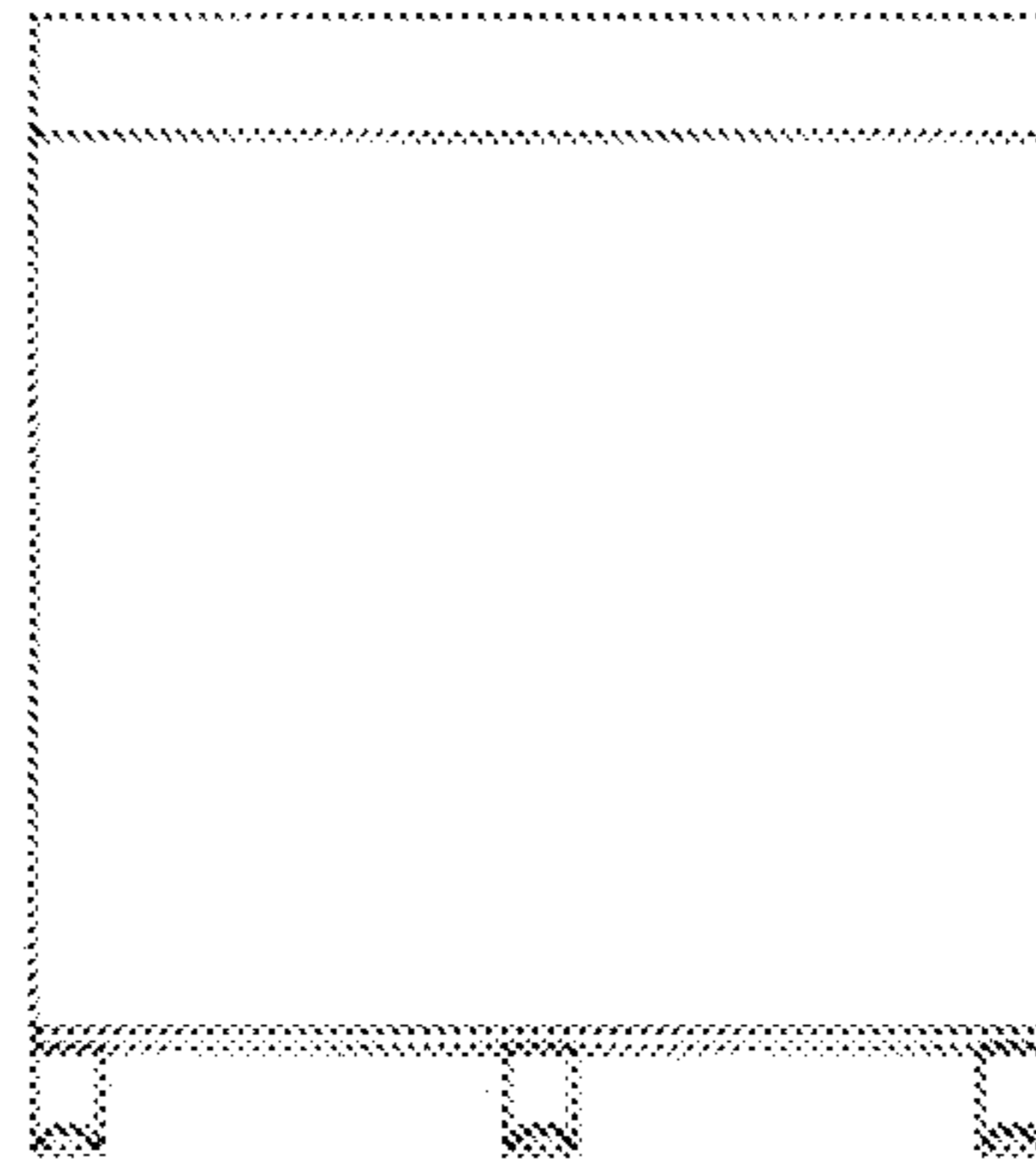
1.1



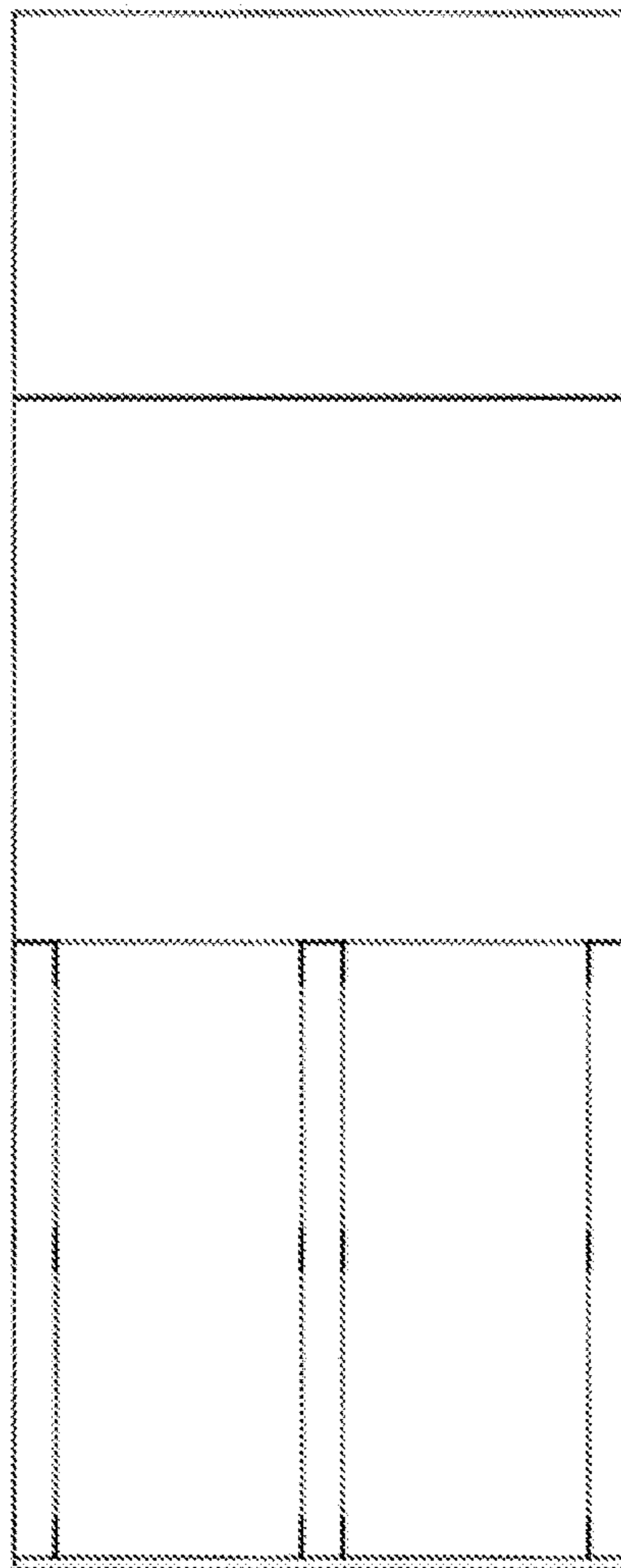
1.2



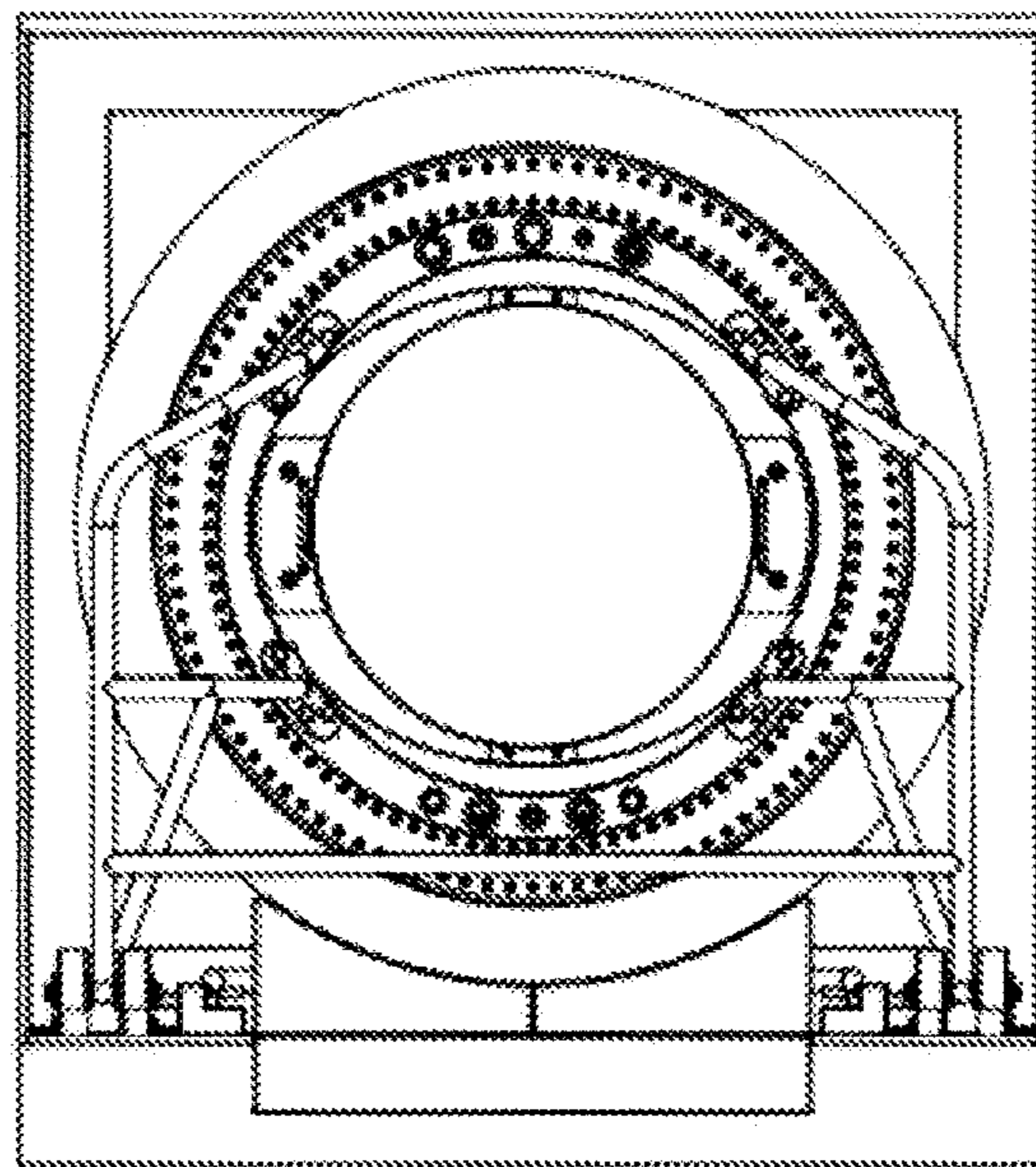
1.3



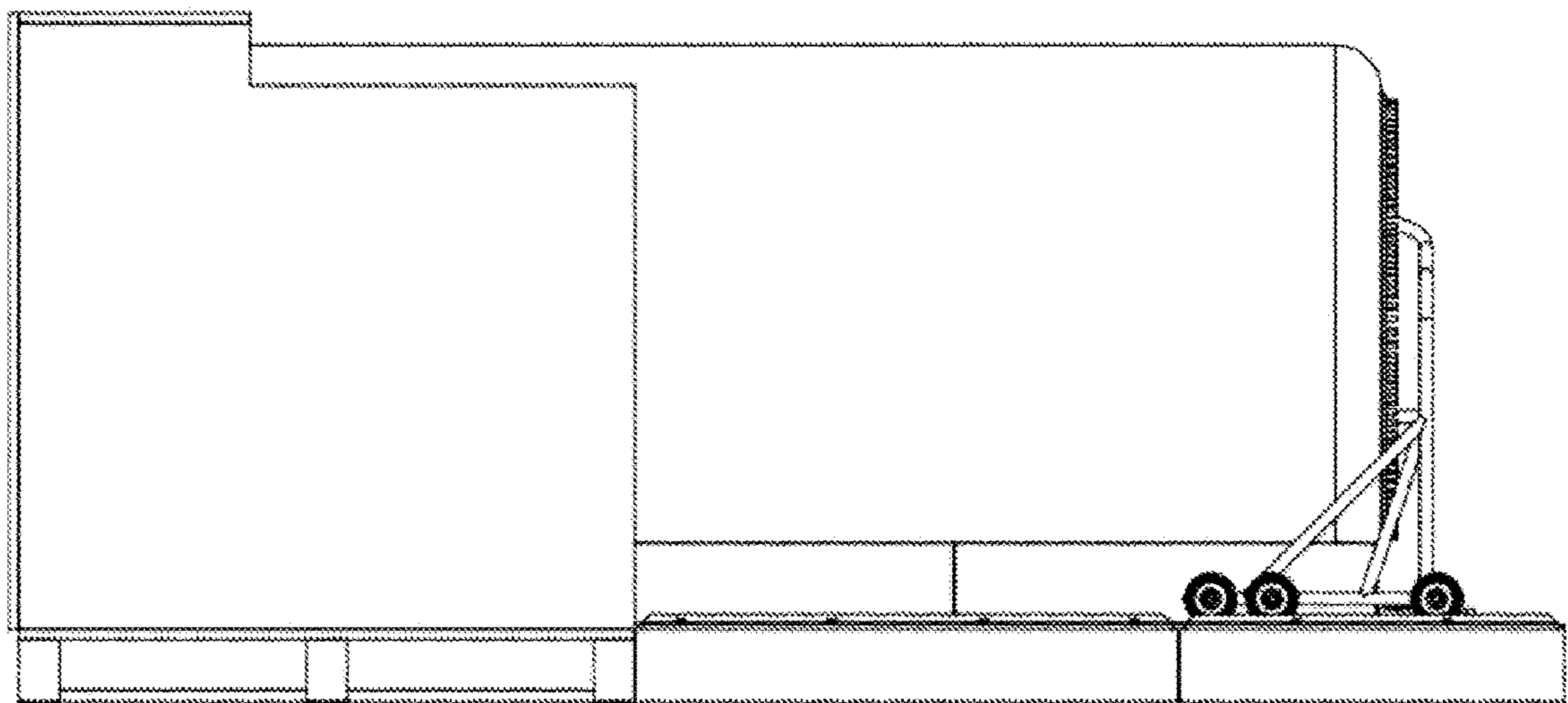
1.4



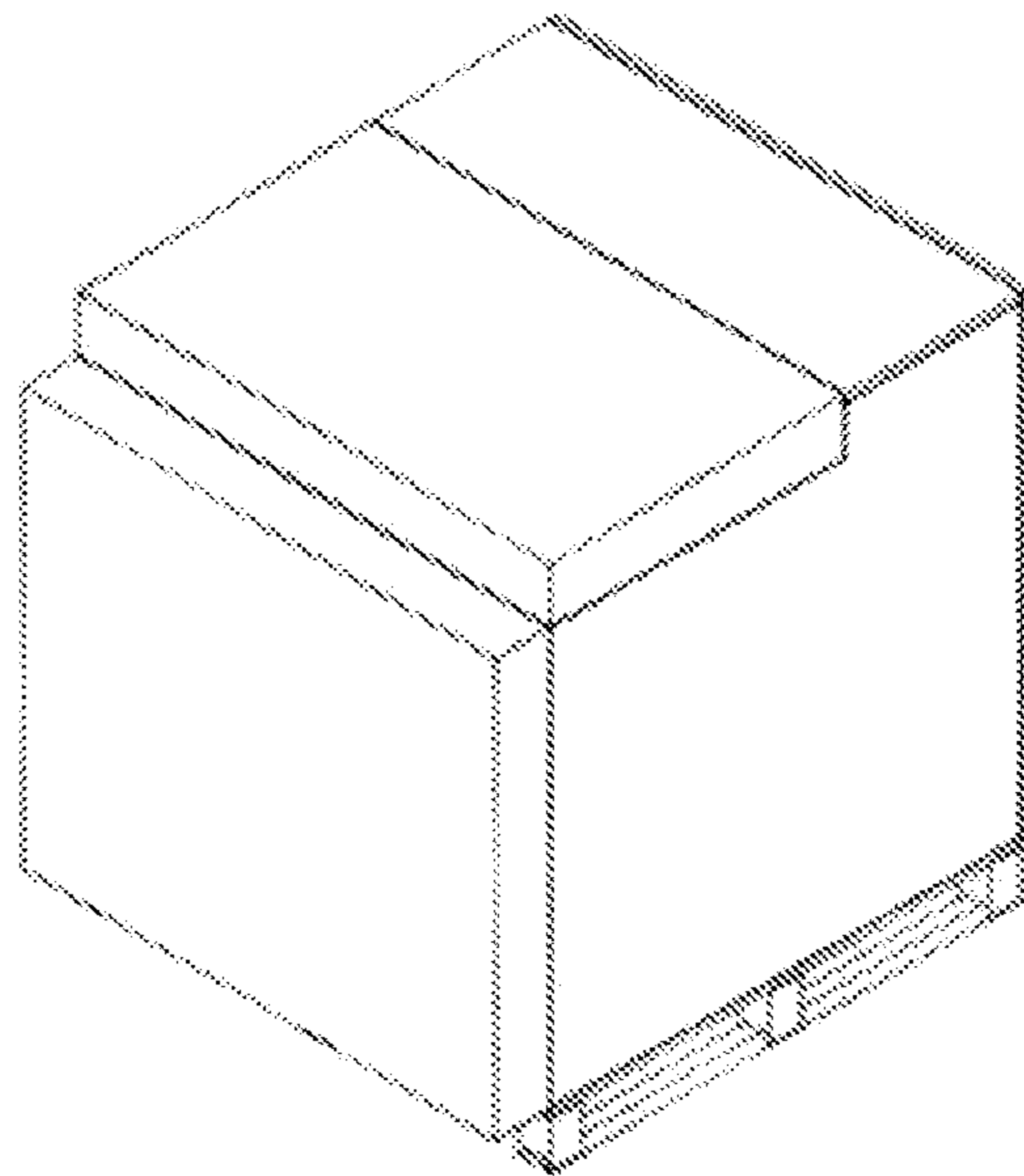
1.5



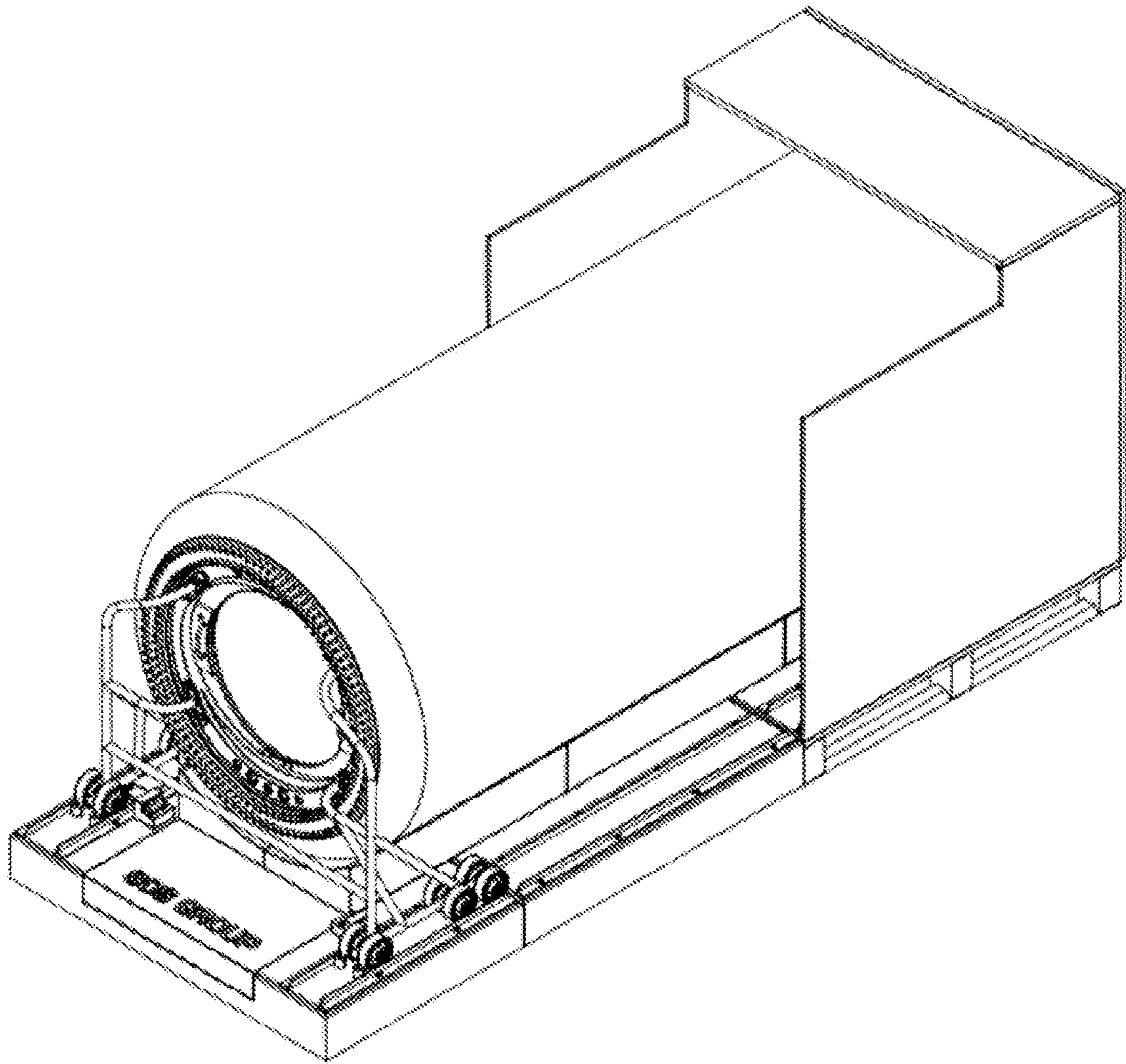
1.6



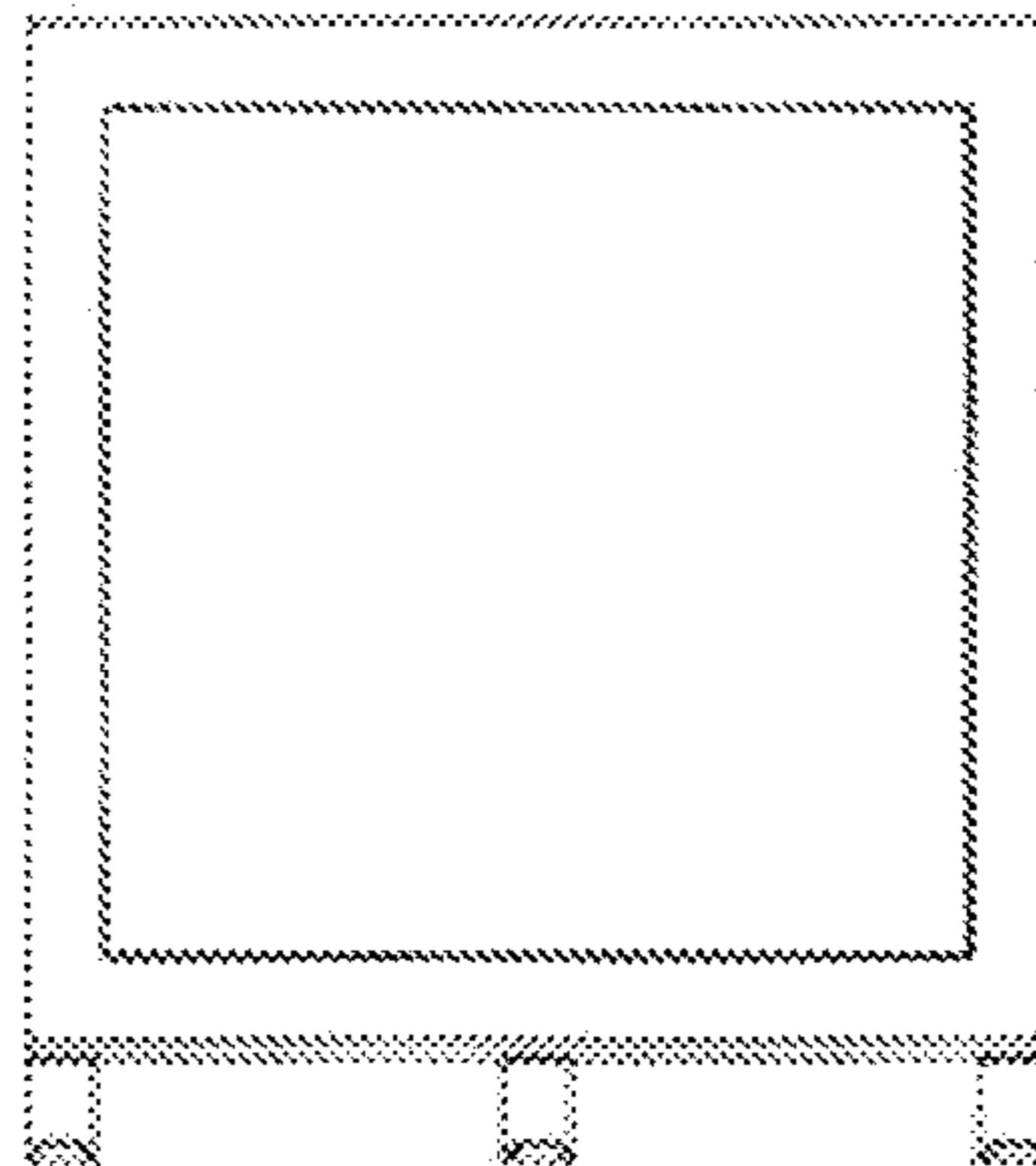
1.7



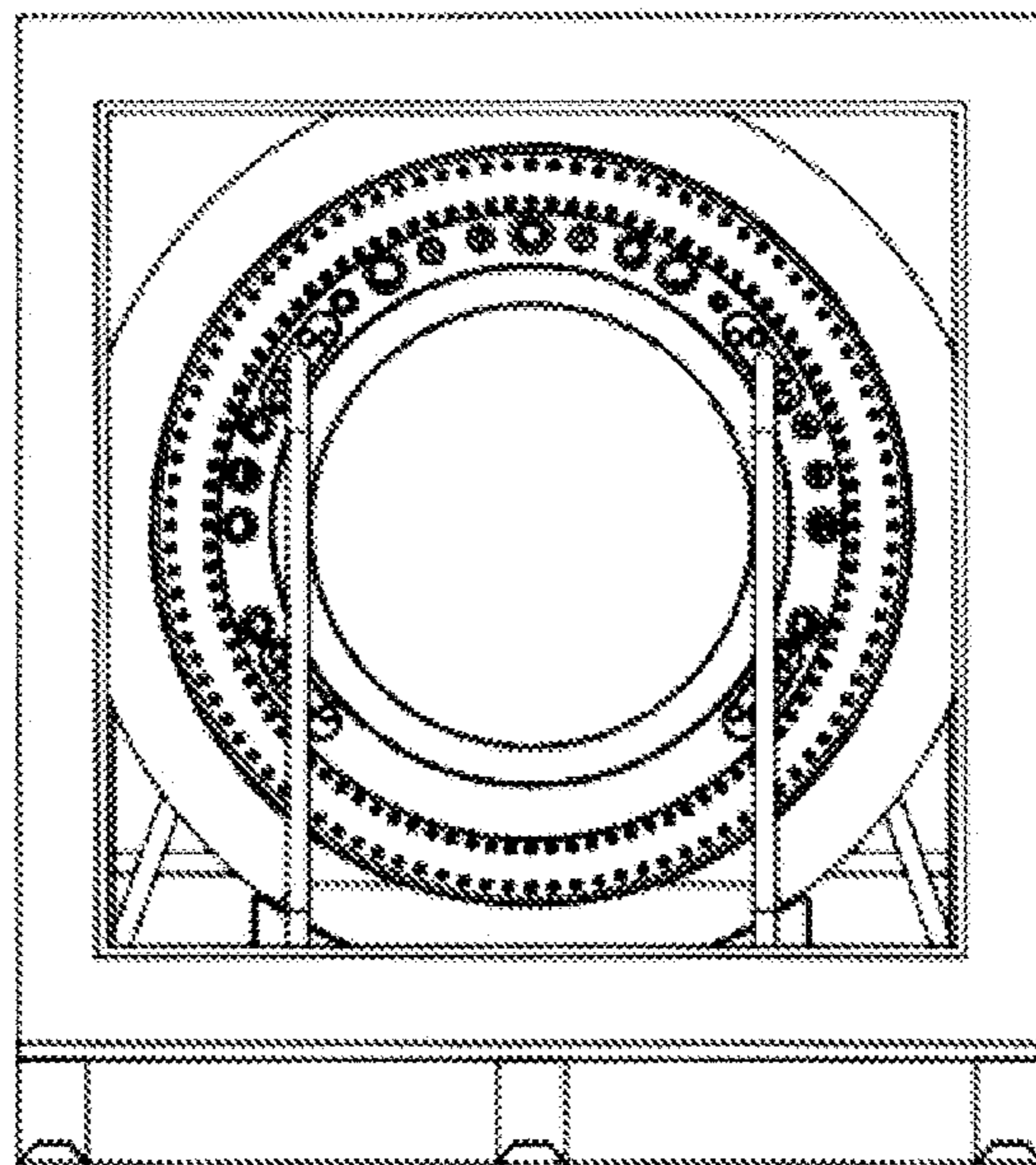
1.8



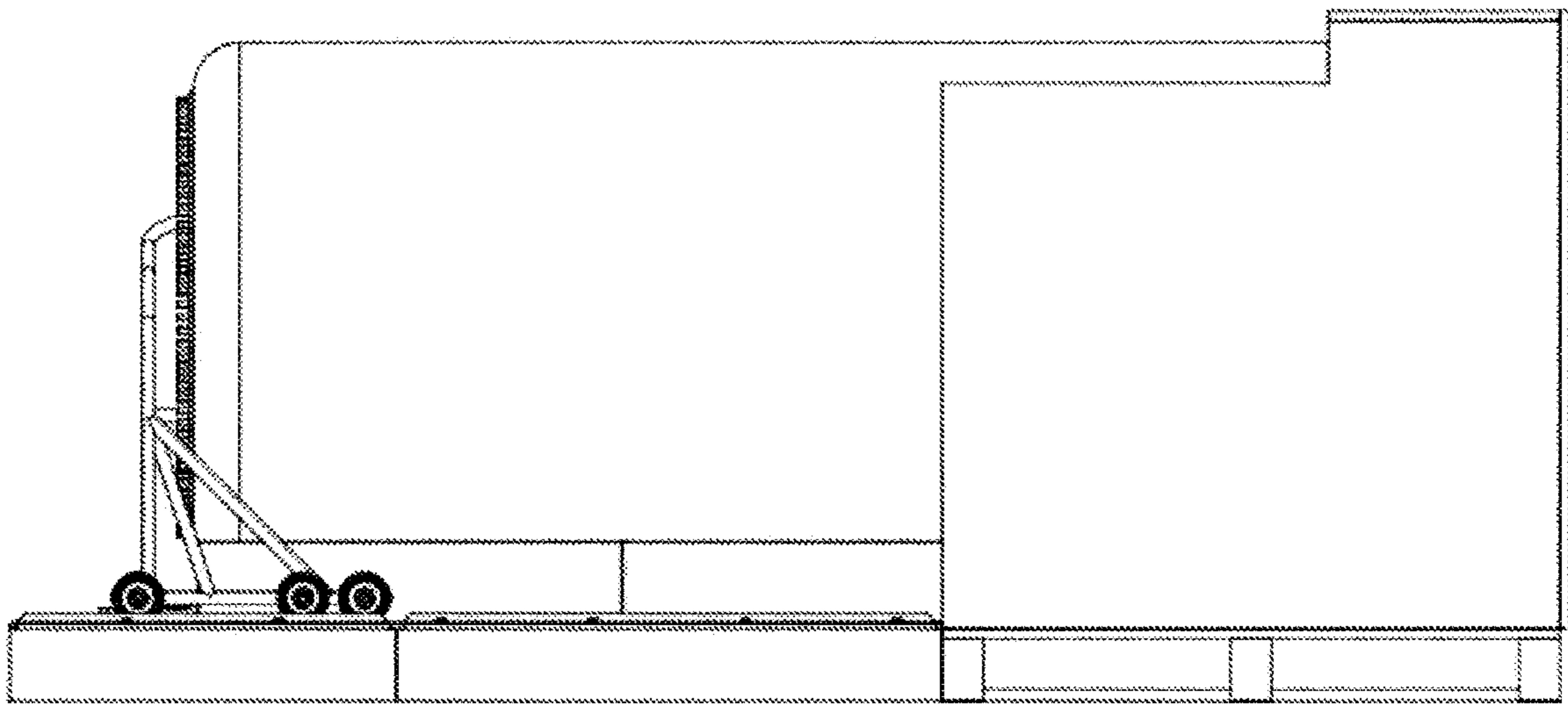
1.9



1.10



1.11



1.12

