



US00D981561S

(12) **United States Design Patent**
Lambert

(10) **Patent No.:** **US D981,561 S**
(45) **Date of Patent:** **** Mar. 21, 2023**

(54) **SELF-ALIGNING SURGICAL DRILL BIT**

(71) Applicant: **Stryker Corporation**, Kalamazoo, MI (US)

(72) Inventor: **Trevor Jonathan Lambert**, Portage, MI (US)

(73) Assignee: **Stryker Corporation**, Kalamazoo, MI (US)

(**) Term: **15 Years**

(21) Appl. No.: **29/674,649**

(22) Filed: **Dec. 21, 2018**

(51) **LOC (14) Cl.** **24-02**

(52) **U.S. Cl.**
USPC **D24/146**

(58) **Field of Classification Search**
USPC D8/47, 86, 98, 101; D24/112, 130, 133, D24/143, 144-148; D28/55
CPC A61B 17/3211; A61B 17/3213; A61B 17/3215; A61B 17/3217; A61B 2017/32113; A61B 2090/061
See application file for complete search history.

(56) **References Cited**

U.S. PATENT DOCUMENTS

- 1,112,849 A * 10/1914 Sertell et al. F16B 15/04 411/448
 - 3,837,661 A 9/1974 Phillippi
 - D284,509 S * 7/1986 Johnson D24/145
- (Continued)

FOREIGN PATENT DOCUMENTS

- WO 0166024 A1 9/2001
- WO 2017040783 A1 3/2017

OTHER PUBLICATIONS

English language abstract for WO 01/66024 extracted from espacenet.com database on Mar. 1, 2018, 2 pages.

Primary Examiner — L. A. Grabenstetter

(74) *Attorney, Agent, or Firm* — Howard & Howard Attorneys PLLC

(57) **CLAIM**

The ornamental design for a self-aligning surgical drill bit, as shown and described.

DESCRIPTION

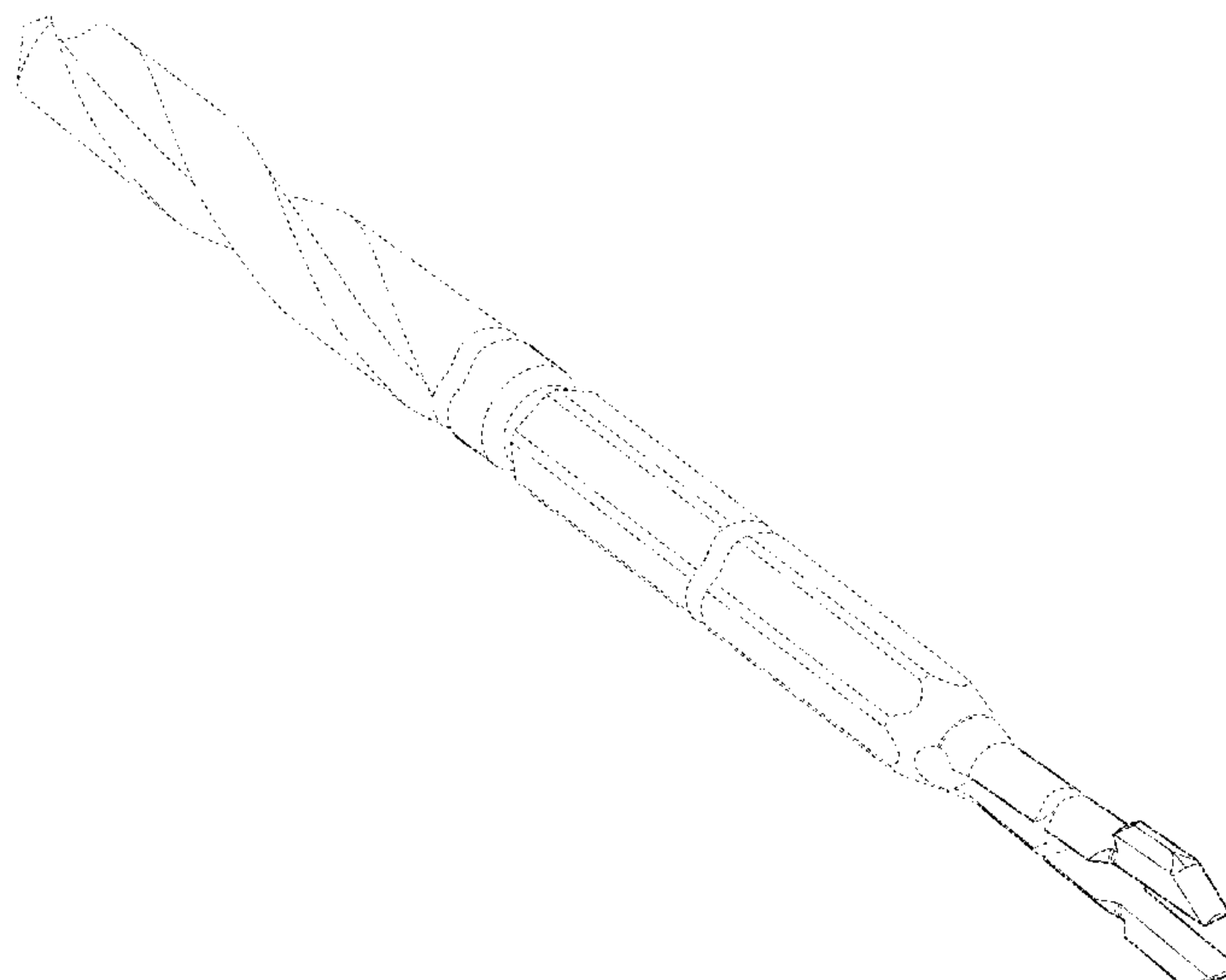
FIG. 1 is a top, proximal left perspective view of a self-aligning surgical drill bit;
 FIG. 2 is a bottom, proximal left perspective view thereof;
 FIG. 3 is a top, distal right perspective view thereof;
 FIG. 4 is a bottom, distal right perspective view thereof;
 FIG. 5 is a proximal end view thereof;
 FIG. 6 is a top plan view thereof;
 FIG. 7 is a left side elevational view thereof;
 FIG. 8 is a partial enlarged cross-sectional view thereof, as taken along line 8-8 in FIG. 5;
 FIG. 9 is a cross-sectional view thereof, as taken along line 9-9 in FIG. 7;
 FIG. 10 is an enlarged partial cross-sectional view thereof, as taken along line 10-10 in FIG. 7; and,
 FIG. 11 is an enlarged partial cross-sectional view thereof, as taken along line 11-11 in FIG. 7.

In the drawings, the broken lines show unclaimed portions of the self-aligning surgical drill bit that form no part of the claimed design.

The broken lines with extended linear segments in FIGS. 10 and 11 are cut-away lines that do not exist in the reality of the self-aligning surgical drill bit. The portion of the self-aligning surgical drill bit outside the cut-away lines has been omitted from FIGS. 10 and 11. The cut-away lines form no part of the claimed design.

The self-aligning surgical drill bit is shown with symbolic breaks in its length. The appearance of any portion of the article between the break lines forms no part of the claimed design.

1 Claim, 7 Drawing Sheets



(56)

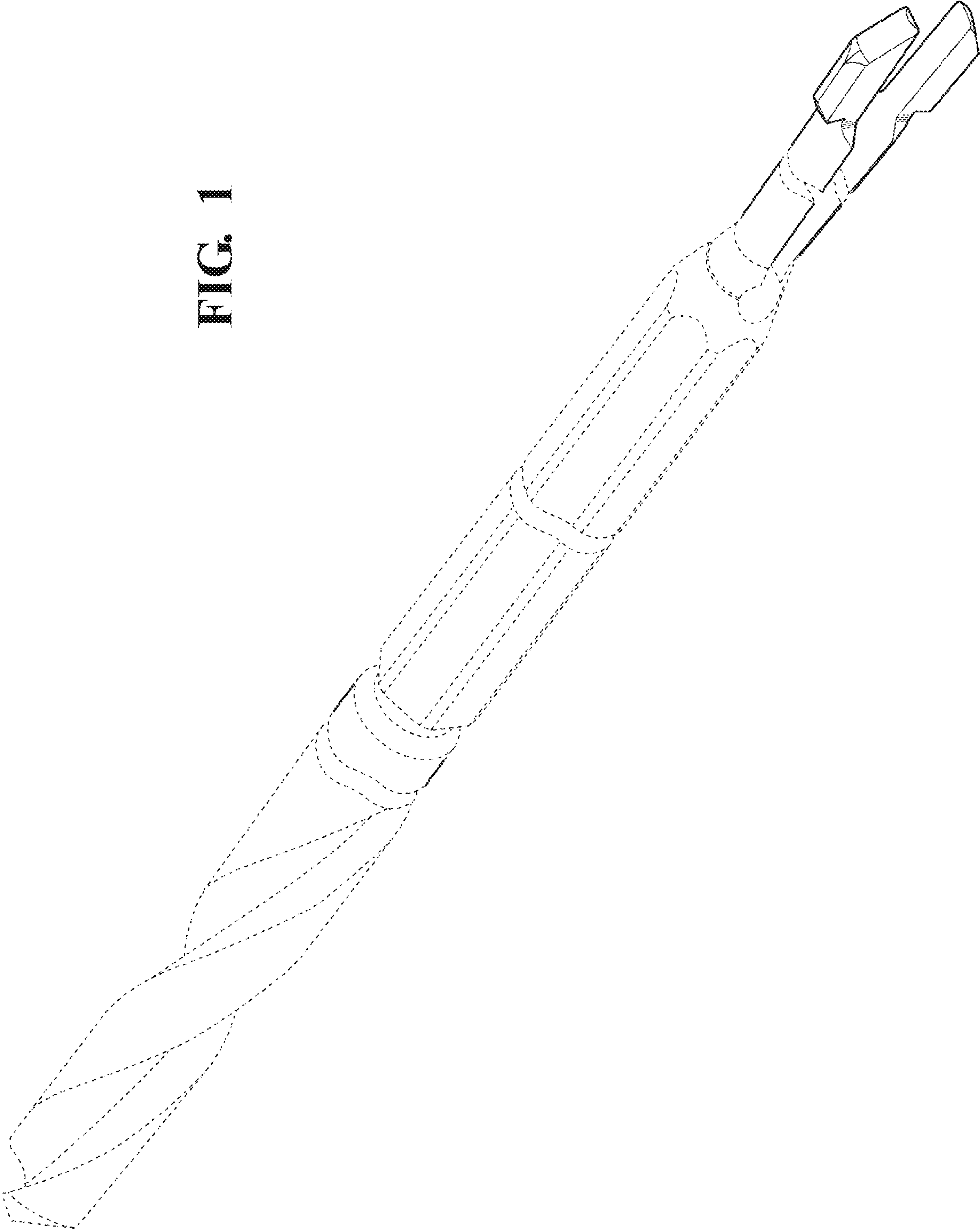
References Cited

U.S. PATENT DOCUMENTS

D320,081 S *	9/1991	Johnson	D24/145	8,974,227 B2	3/2015	Magnusson et al.	
D327,751 S *	7/1992	Colani	D28/55	D744,646 S *	12/2015	Nering D24/145
5,499,984 A	3/1996	Steiner et al.			9,204,885 B2	12/2015	McGinley et al.	
5,501,690 A *	3/1996	Measamer	A61B 17/0469	9,326,832 B2	5/2016	Zuker et al.	
				606/144	9,358,016 B2	6/2016	McGinley et al.	
5,522,844 A *	6/1996	Johnson	A61B 17/0401	9,370,372 B2	6/2016	McGinley et al.	
				411/447	9,566,121 B2	2/2017	Staunton et al.	
6,382,977 B1	5/2002	Kumar			D804,666 S *	12/2017	Guo D24/145
6,394,806 B1	5/2002	Kumar			D817,491 S *	5/2018	Khmelevskaya D24/145
6,508,830 B2 *	1/2003	Steiner	A61B 17/0401	10,159,495 B1	12/2018	Lambert	
				606/232	10,383,671 B2 *	8/2019	Prandi A61B 17/88
6,562,055 B2	5/2003	Walen			D902,405 S *	11/2020	Renwick D24/146
6,665,948 B1	12/2003	Kozin et al.			2008/0109037 A1 *	5/2008	Steiner A61B 17/0401
6,783,533 B2	8/2004	Green et al.						606/232
7,060,071 B2	6/2006	Steiger			2009/0326537 A1	12/2009	Anderson	
D599,906 S *	9/2009	Petersen	D24/146	2011/0245833 A1	10/2011	Anderson	
D605,763 S *	12/2009	Griffis, III	D24/145	2014/0276968 A1 *	9/2014	Miksza A61B 17/064
D621,098 S *	8/2010	Francis	D28/55				606/139
D659,826 S *	5/2012	Dale	D24/143	2014/0371752 A1	12/2014	Anderson	
8,641,674 B2	2/2014	Bobroff et al.			2015/0066030 A1	3/2015	McGinley et al.	
D710,997 S *	8/2014	Thon	D24/145	2015/0066035 A1	3/2015	McGinley et al.	
8,821,493 B2	9/2014	Anderson			2015/0066036 A1	3/2015	McGinley et al.	
8,894,654 B2	11/2014	Anderson			2015/0066037 A1	3/2015	McGinley et al.	
8,936,468 B2	1/2015	Ranck et al.			2015/0066038 A1	3/2015	McGinley et al.	
8,970,207 B2	3/2015	Baumgartner			2015/0080966 A1	3/2015	Anderson	
					2016/0128704 A1	5/2016	McGinley et al.	
					2016/0157871 A1	6/2016	Overes	
					2016/0278802 A1	9/2016	Cihak et al.	

* cited by examiner

FIG. 1



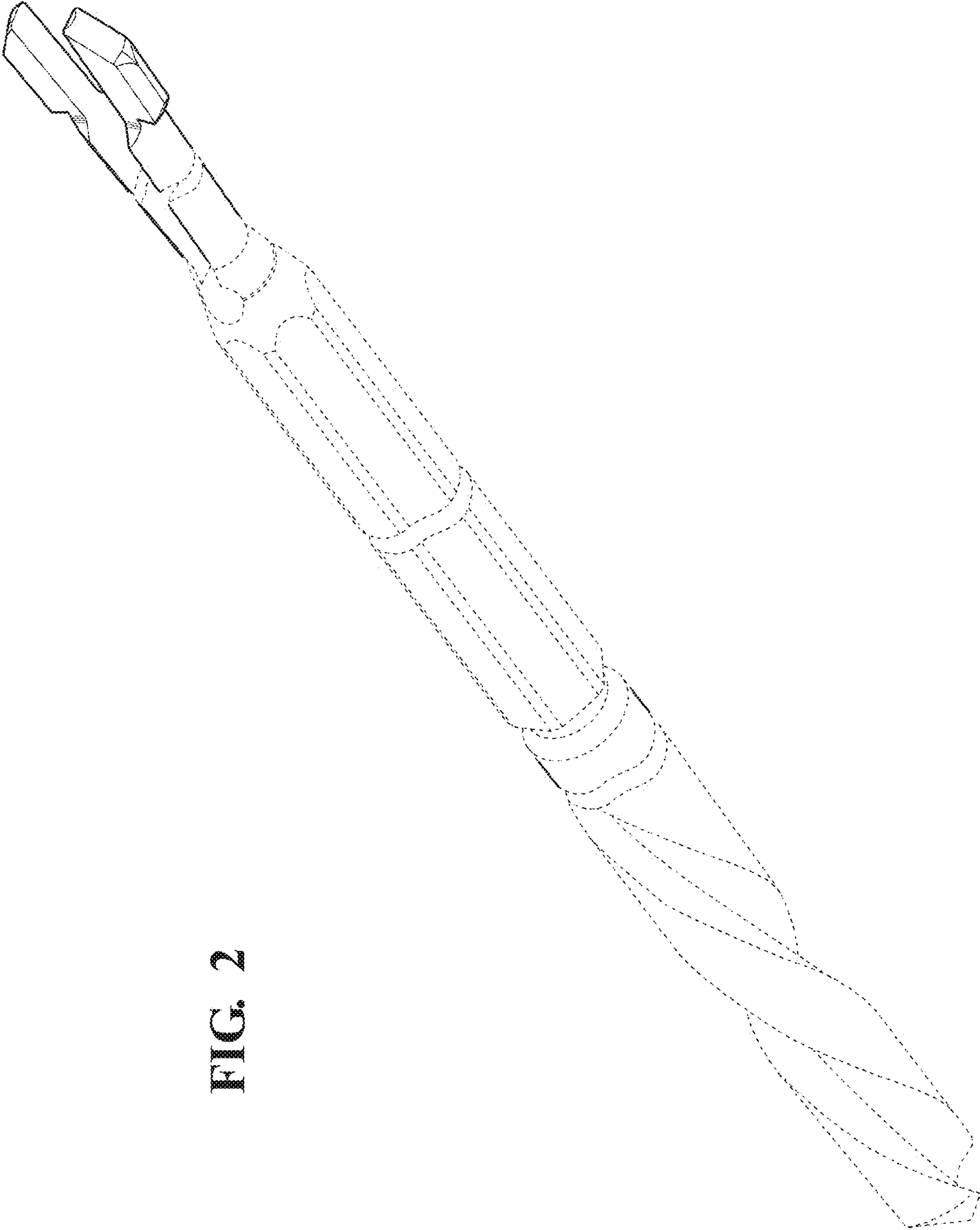


FIG. 2

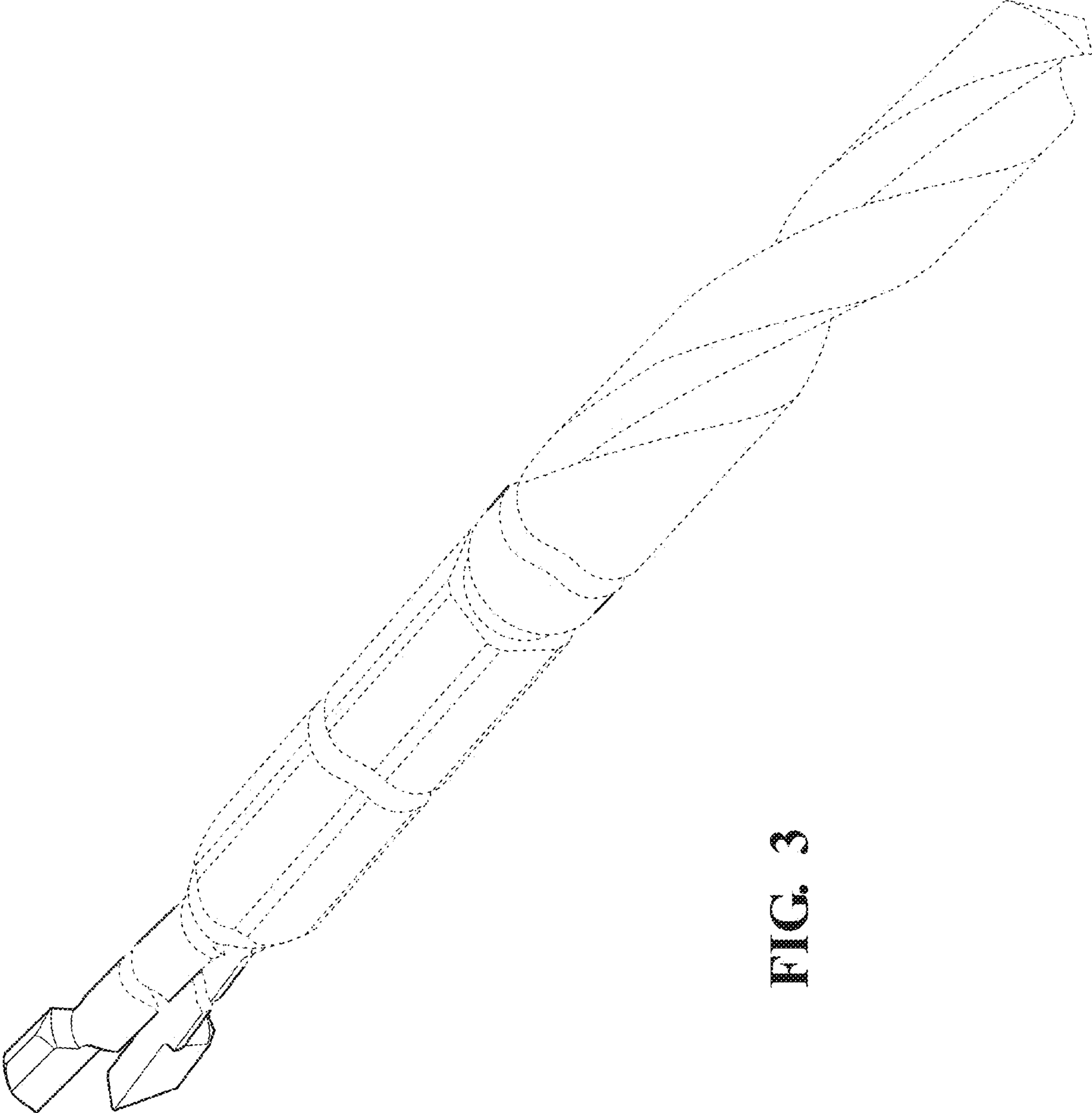


FIG. 3

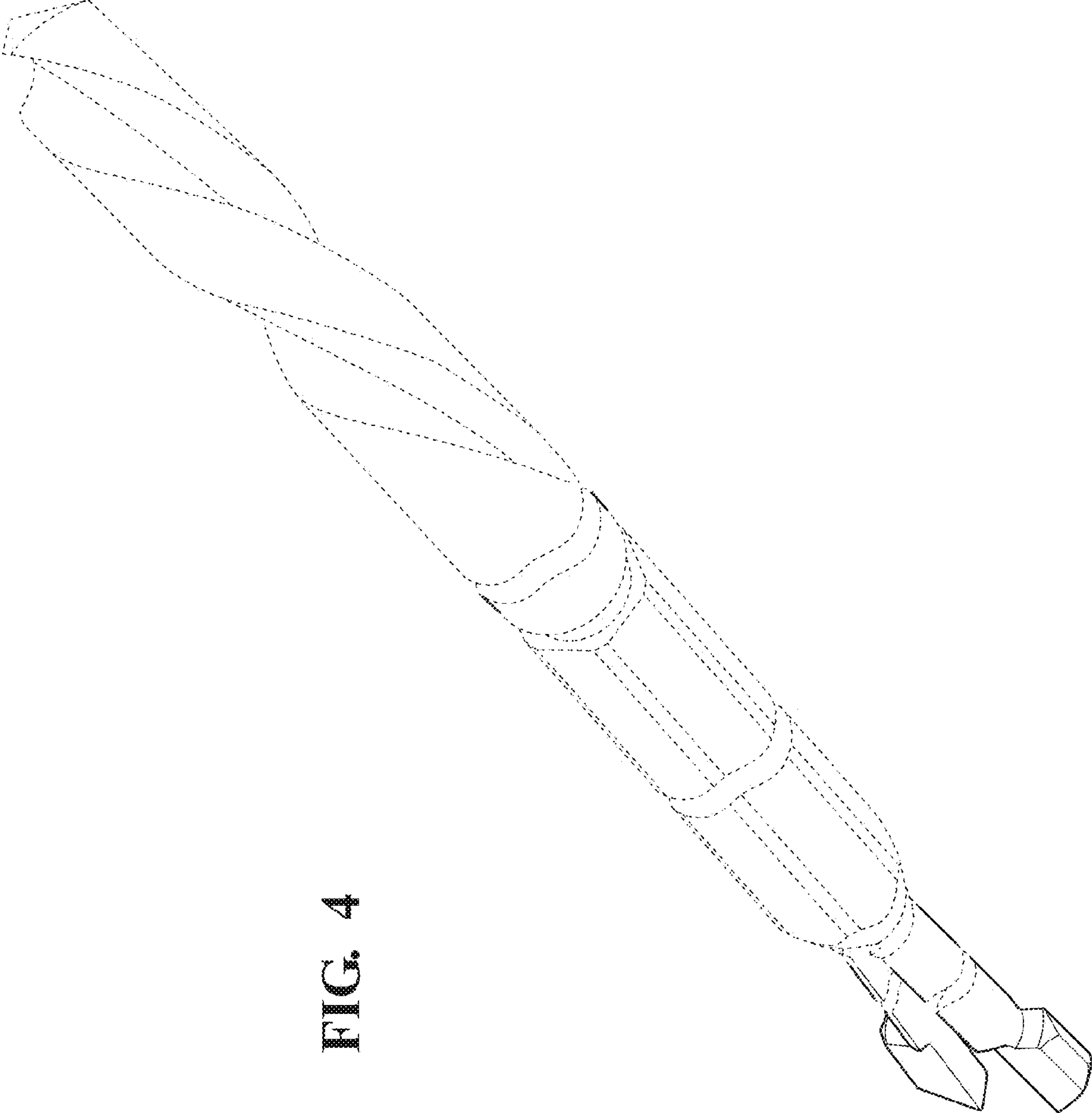


FIG. 4

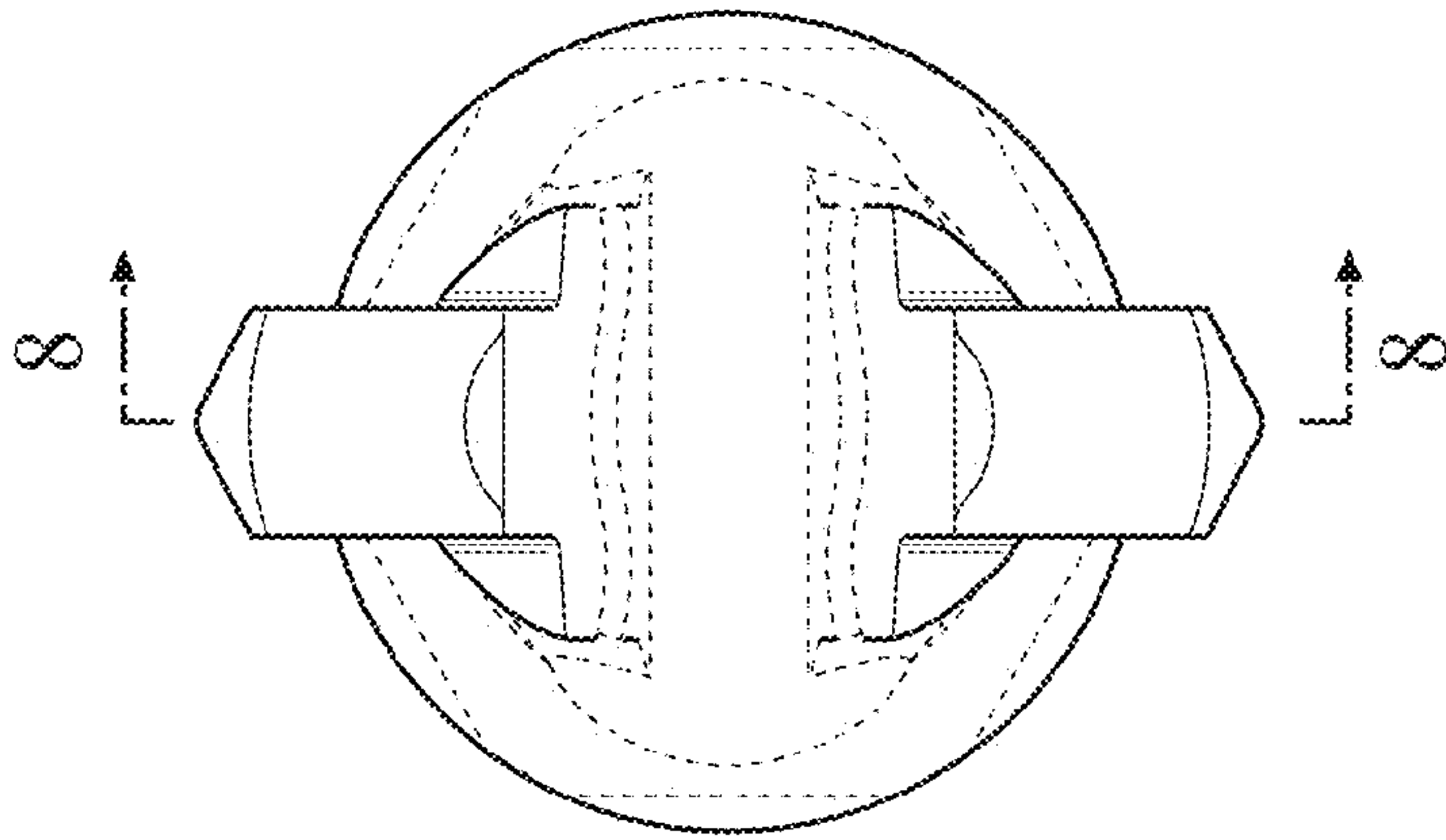


FIG. 5

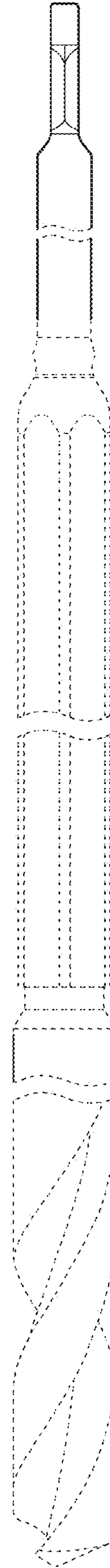


FIG. 6

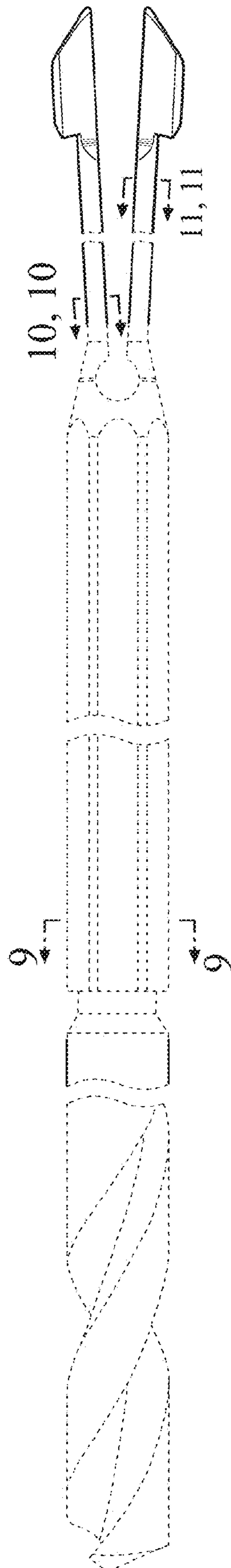


FIG. 7

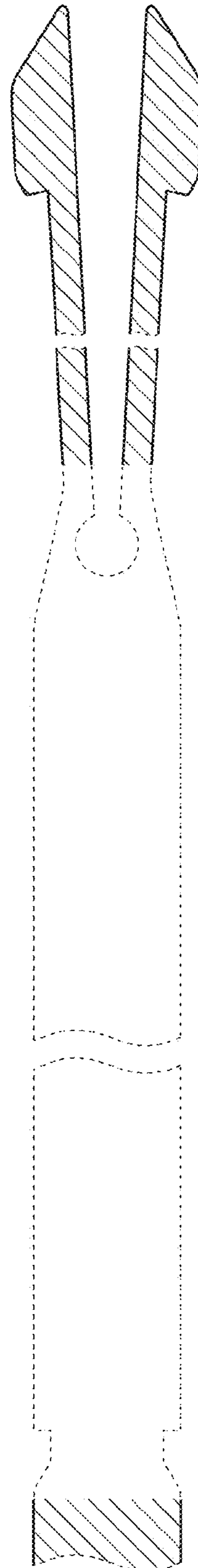


FIG. 8

FIG. 9

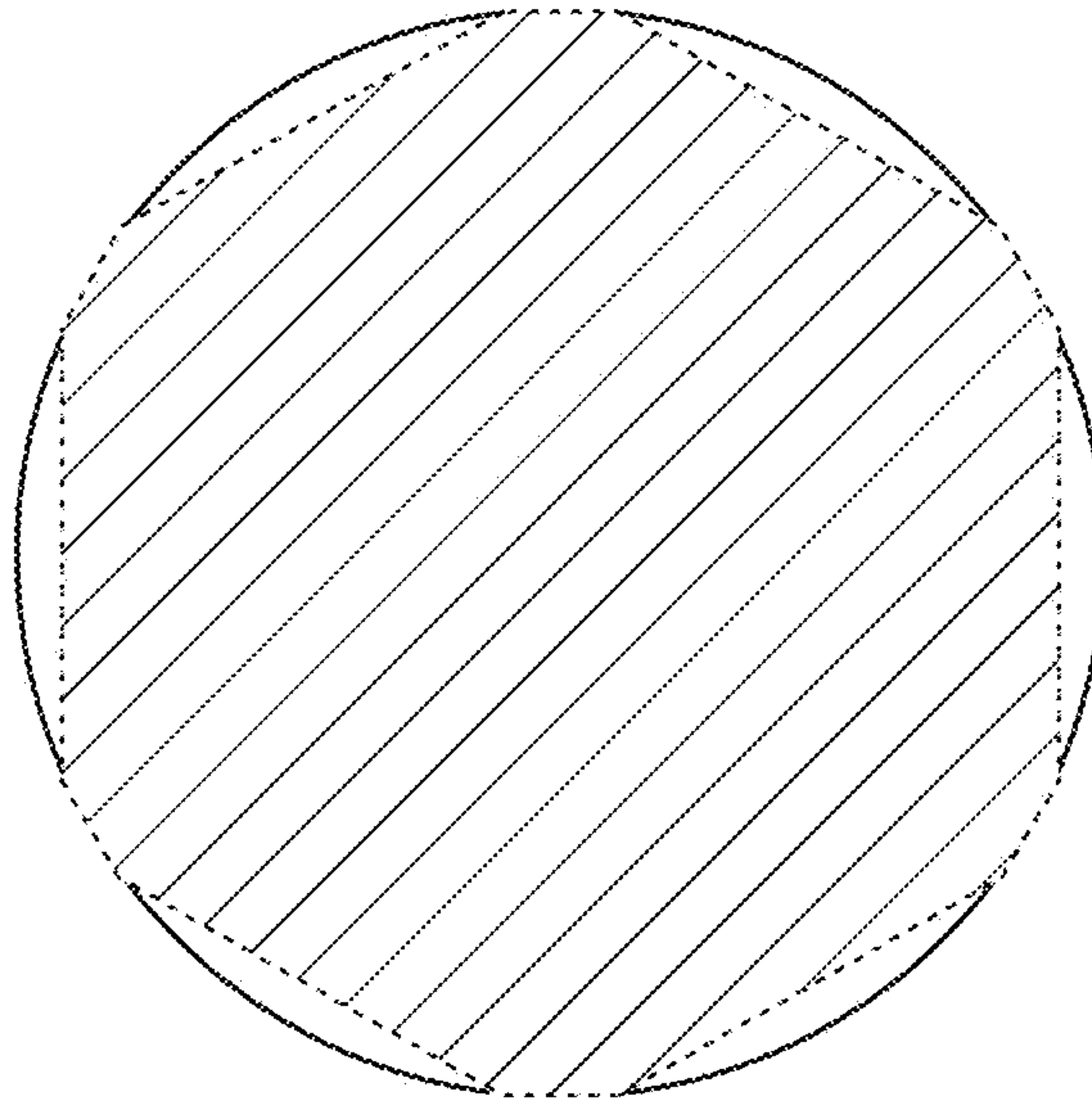


FIG. 10

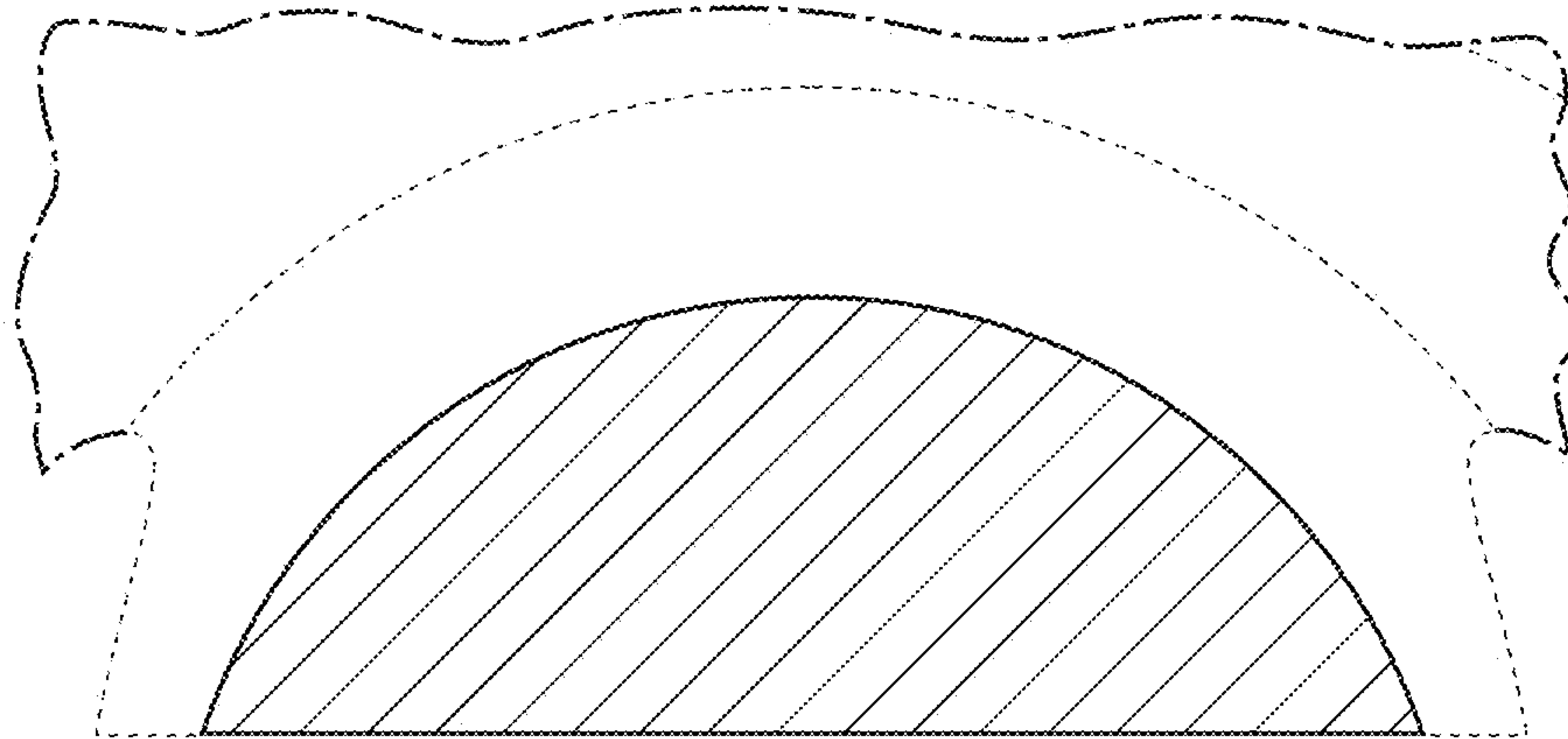


FIG. 11

