



US00D981560S

(12) **United States Design Patent** (10) **Patent No.:** **US D981,560 S**
Lynn et al. (45) **Date of Patent:** **** Mar. 21, 2023**

(54) **ELECTROSURGICAL WAND DISTAL TIP**

2015/0245862 A1* 9/2015 Goode A61B 18/042
606/41

(71) Applicants: **Smith & Nephew, Inc.**, Memphis, TN
(US); **Smith & Nephew Orthopaedics**
AG, Zug (CH)

2020/0397500 A1* 12/2020 Woloszko A61B 18/042
2021/0282844 A1* 9/2021 Woloszko A61B 18/1482

* cited by examiner

(72) Inventors: **Christopher J. Lynn**, Austin, TX (US);
Johnson E. Goode, Austin, TX (US)

Primary Examiner — Wan Laymon

(74) *Attorney, Agent, or Firm* — Norman F. Hainer, Jr.

(73) Assignees: **Smith & Nephew, Inc.**, Memphis, TN
(US); **Smith & Nephew Orthopaedics**
AG, Zug (CH)

(57) **CLAIM**

The ornamental design for an electrosurgical wand distal tip,
as shown and described.

(**) Term: **15 Years**

(21) Appl. No.: **29/782,415**

DESCRIPTION

(22) Filed: **May 6, 2021**

(51) **LOC (14) Cl.** **24-02**

(52) **U.S. Cl.**
USPC **D24/144**

(58) **Field of Classification Search**
USPC D24/133, 144, 146, 147, 127
CPC A61B 18/14; A61B 18/1402; A61B 18/042
See application file for complete search history.

FIG. 1 is a perspective view of an electrosurgical wand distal tip, showing our new design;
FIG. 2 is a perspective view thereof, from an alternate angle;
FIG. 3 is a top elevation view thereof, parallel with a longitudinal axis of the distal tip;
FIG. 4 is a bottom elevation view thereof, parallel with a longitudinal axis of the distal tip;
FIG. 5 is a right side elevation view thereof;
FIG. 6 is a top view thereof, perpendicular to a distal end surface of the distal tip; and,
FIG. 7 is a front elevation view thereof, parallel to the longitudinal axis of the distal tip.

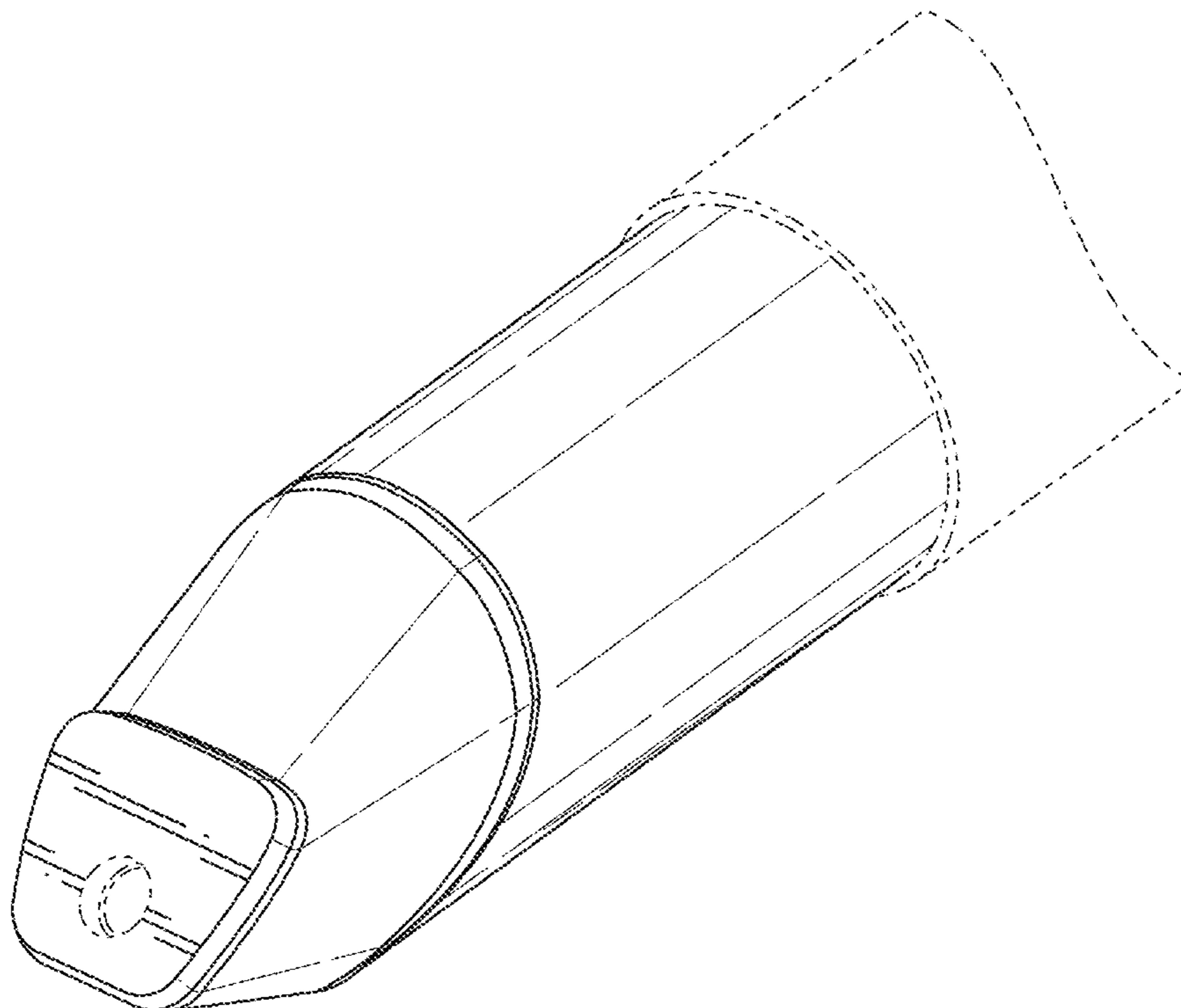
The portion of the electrosurgical wand distal tip depicted in broken lines form no part of the claimed design. The left side elevation view has been omitted as it is a mirror image of the right side elevation view presented.

(56) **References Cited**

U.S. PATENT DOCUMENTS

D732,164 S * 6/2015 Woloszko D24/144
D894,387 S * 8/2020 Woloszko D24/144
2014/0257277 A1* 9/2014 Woloszko A61B 18/14
606/41
2014/0257279 A1* 9/2014 Woloszko A61B 18/14
606/41

1 Claim, 6 Drawing Sheets



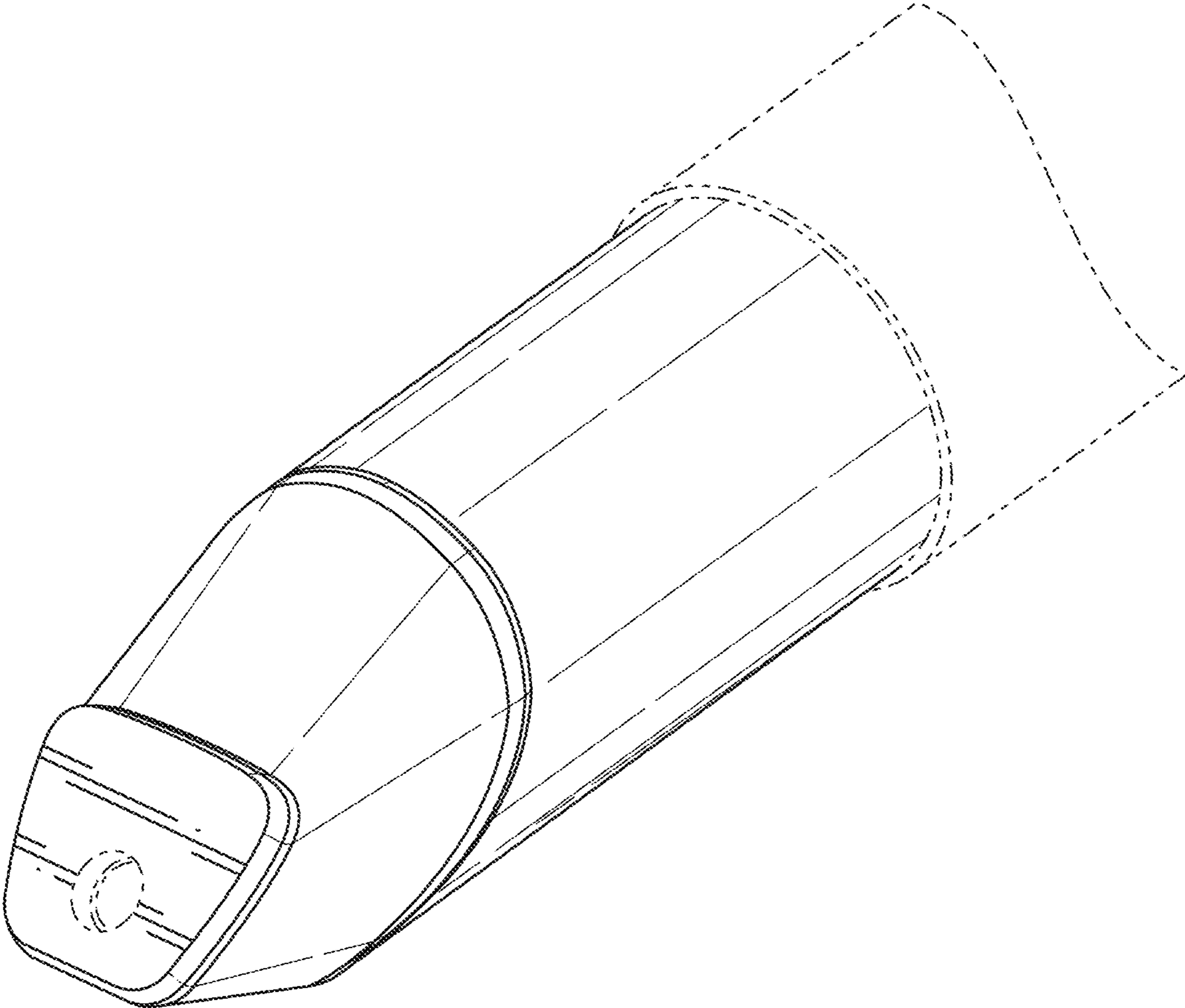


FIG. 1

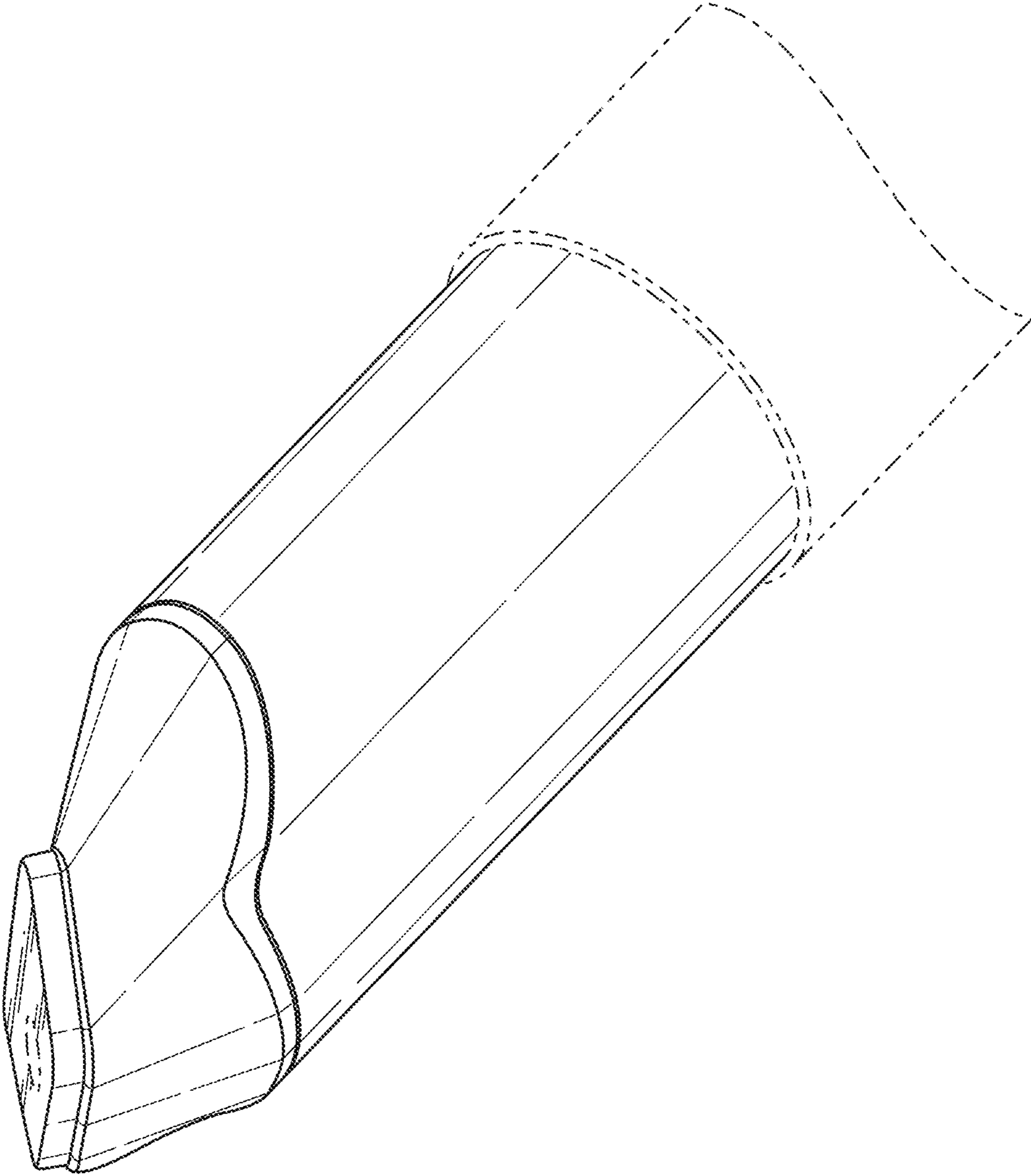


FIG. 2

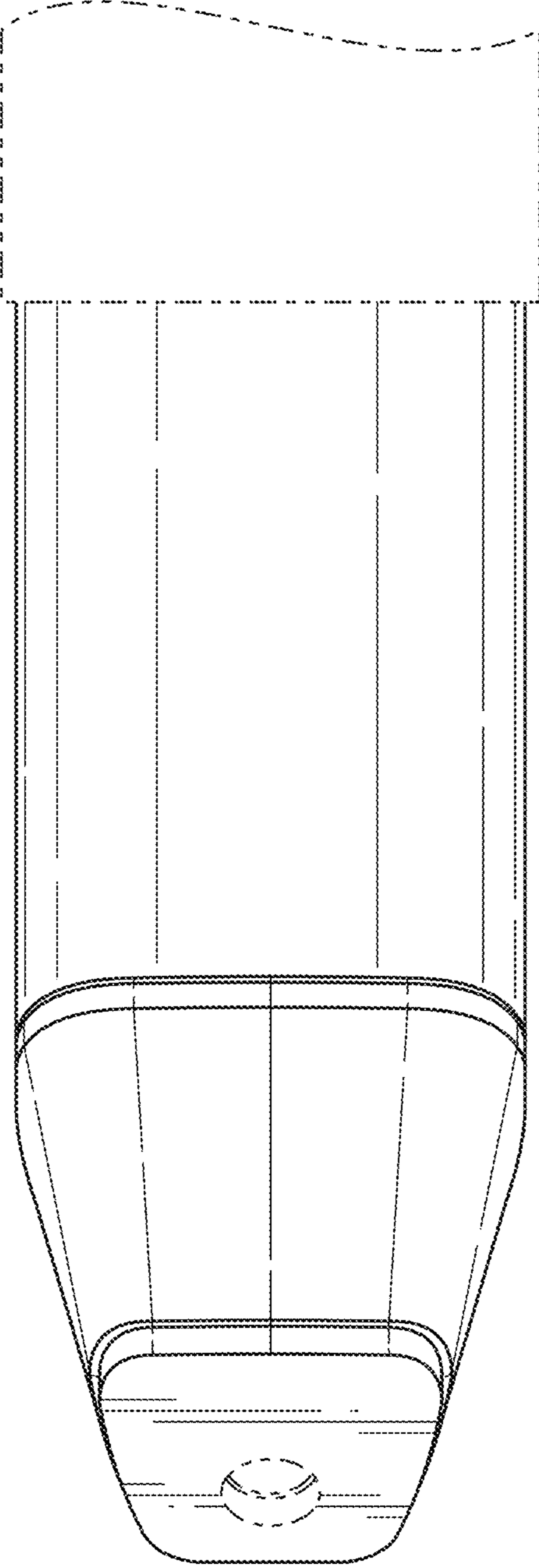


FIG. 3

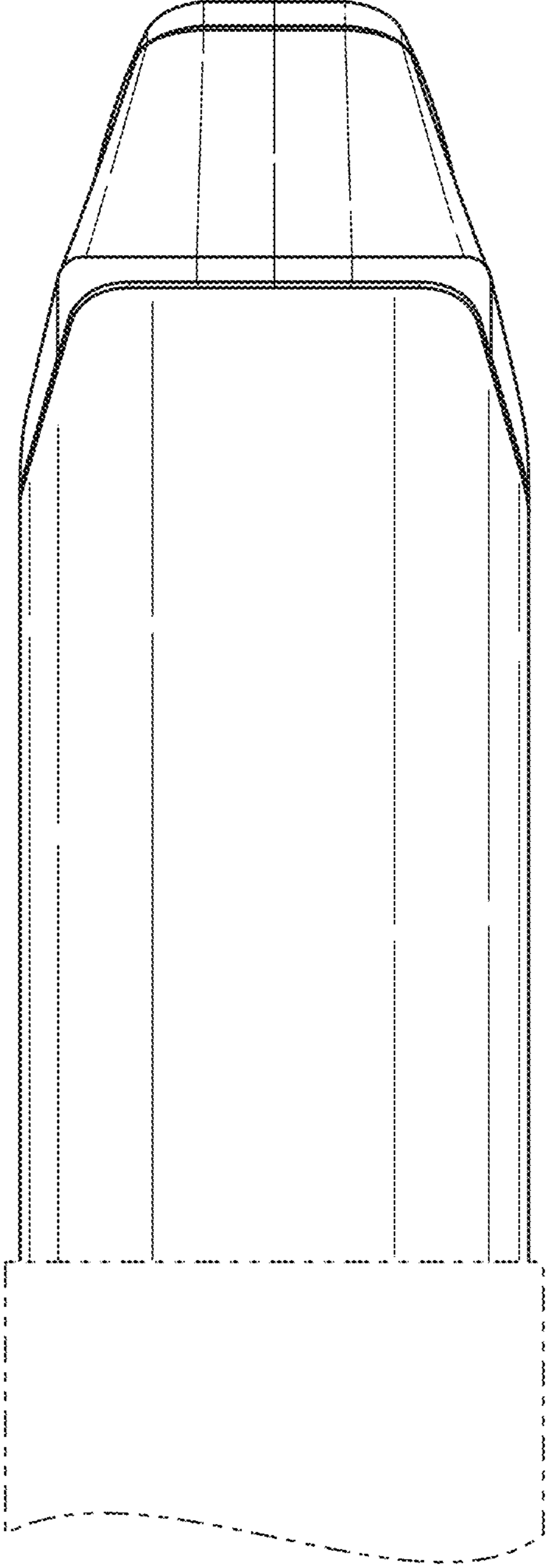


FIG. 4

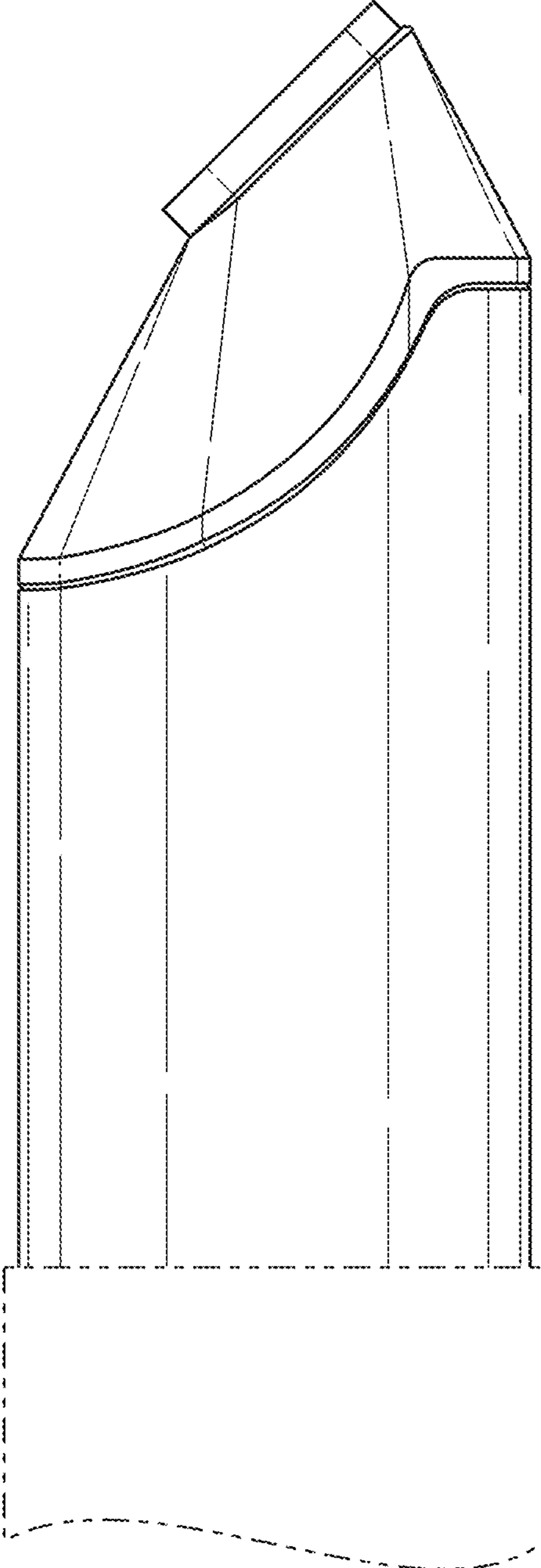


FIG. 5

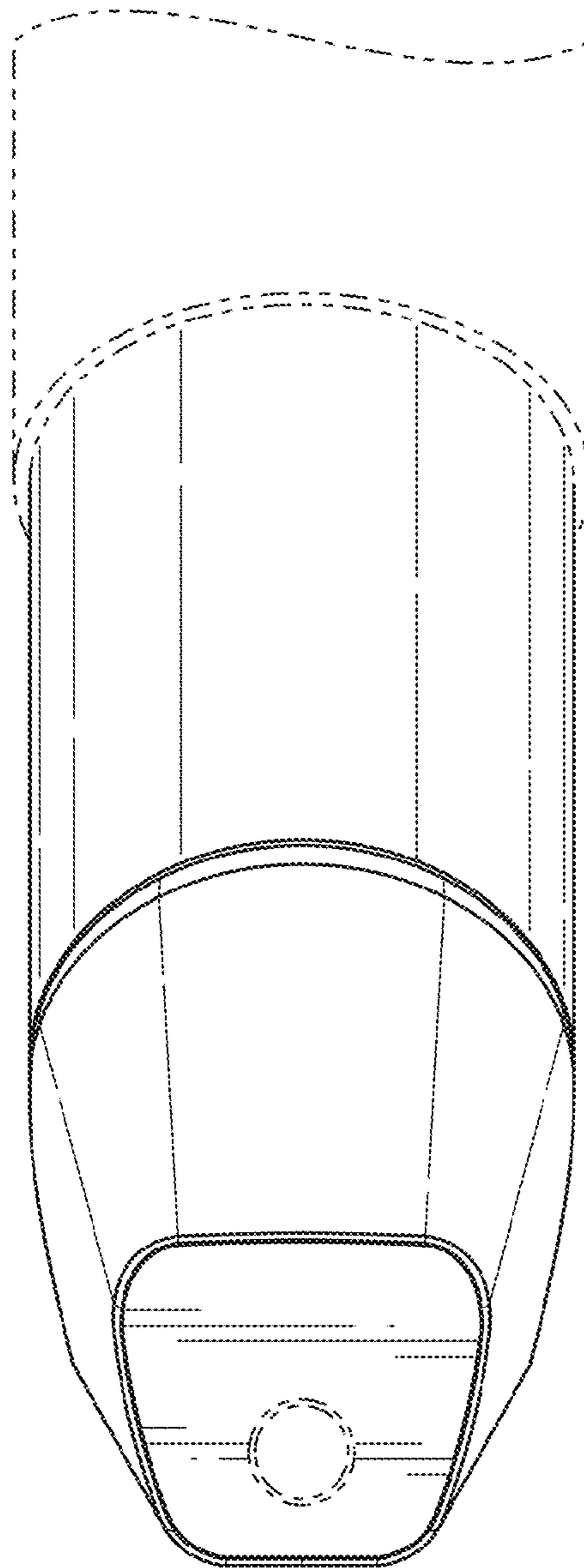


FIG. 6

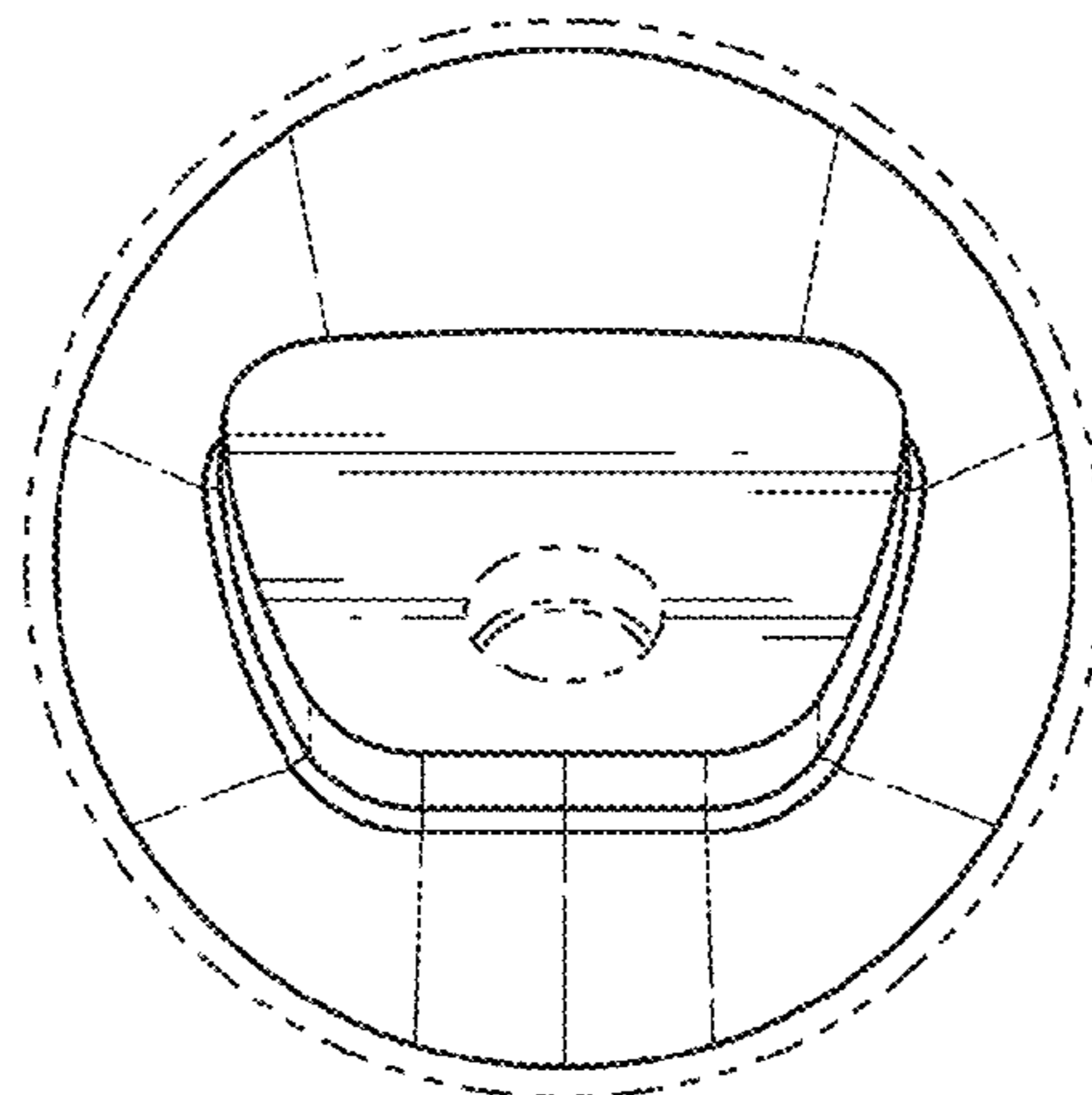


FIG. 7