



US00D981558S

(12) **United States Design Patent**
Blondel

(10) **Patent No.:** **US D981,558 S**
(45) **Date of Patent:** **** Mar. 21, 2023**

(54) **MEDICAL ROBOT**
(71) Applicant: **QUANTUM SURGICAL**, Montpellier (FR)
(72) Inventor: **Lucien Blondel**, Montpellier (FR)

D941,900 S * 1/2022 Jin B25J 11/00
D15/199
D958,862 S * 7/2022 Li D15/199
D962,319 S * 8/2022 Wen D15/199
D963,722 S * 9/2022 Hernandez D15/199
D964,446 S * 9/2022 Lee D15/199
2021/0038332 A1* 2/2021 Brasset A61B 34/20

(**) Term: **15 Years**

* cited by examiner

(21) Appl. No.: **29/710,961**

Primary Examiner — Eliza Z Harvey

(22) Filed: **Oct. 28, 2019**

(74) *Attorney, Agent, or Firm* — Egbert, McDaniel & Swartz, PLLC

(30) **Foreign Application Priority Data**

(57) **CLAIM**

The ornamental design for a medical robot, as shown and described.

May 14, 2019 (EM) 006455267-0001

DESCRIPTION

(51) **LOC (14) Cl.** **24-02**

(52) **U.S. Cl.**
USPC **D24/138**

(58) **Field of Classification Search**
USPC D24/138, 186, 170, 143; D15/199
CPC A61B 90/361
See application file for complete search history.

FIG. 1 is a front perspective view of a medical robot showing my new design.
FIG. 2 is a rear perspective view thereof;
FIG. 3 is a front view thereof;
FIG. 4 is a rear view thereof;
FIG. 5 is a side view thereof;
FIG. 6 is an opposite side view thereof;
FIG. 7 is a top view thereof; and,
FIG. 8 is a bottom view thereof.

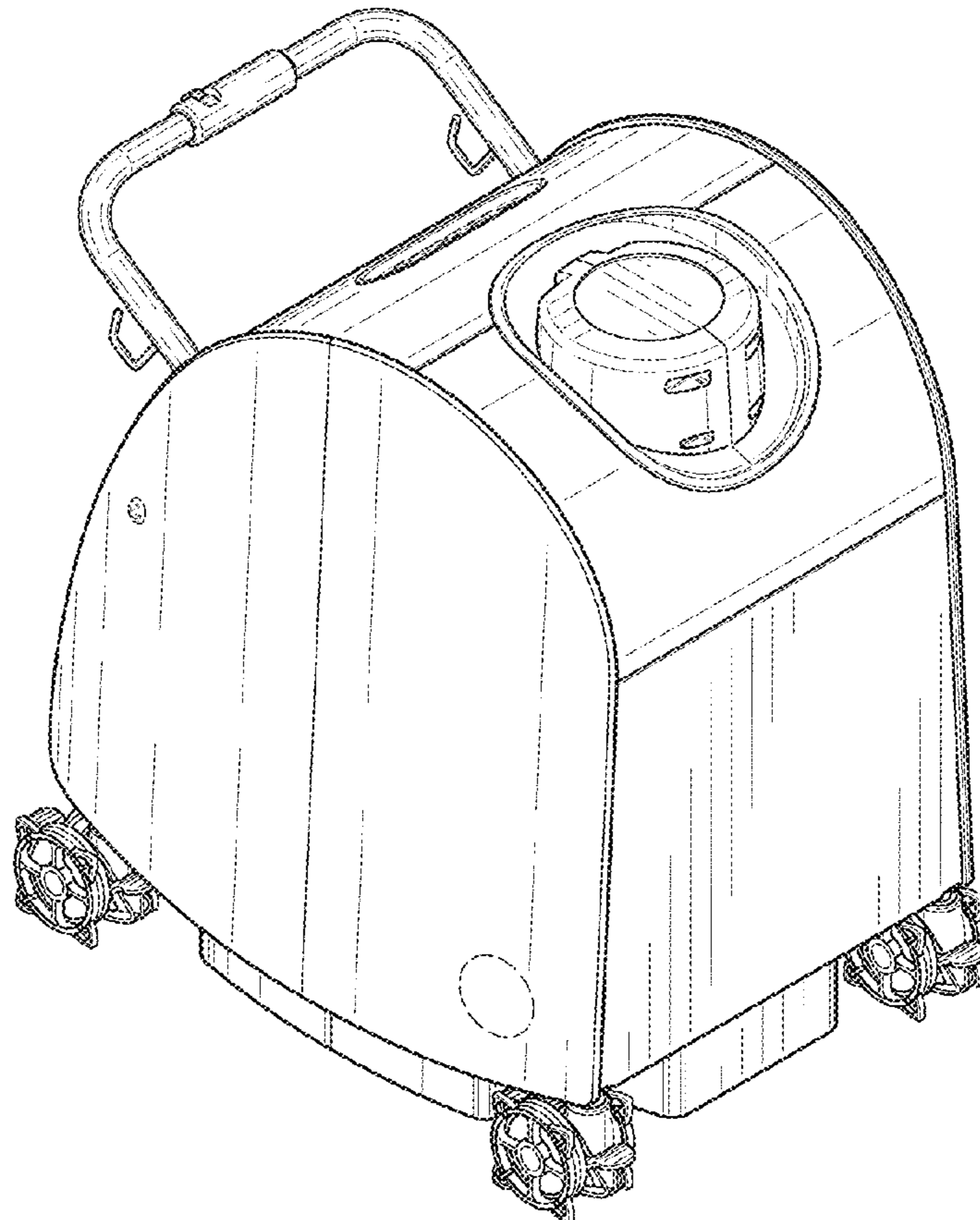
(56) **References Cited**

The features presented in broken lines represent unclaimed portions and surfaces of the medical robot and form no part of the claimed design.

U.S. PATENT DOCUMENTS

D492,904 S * 7/2004 Berger D10/74
D883,352 S * 5/2020 Abe D15/199
D921,081 S * 6/2021 LaPlante D15/199

1 Claim, 4 Drawing Sheets



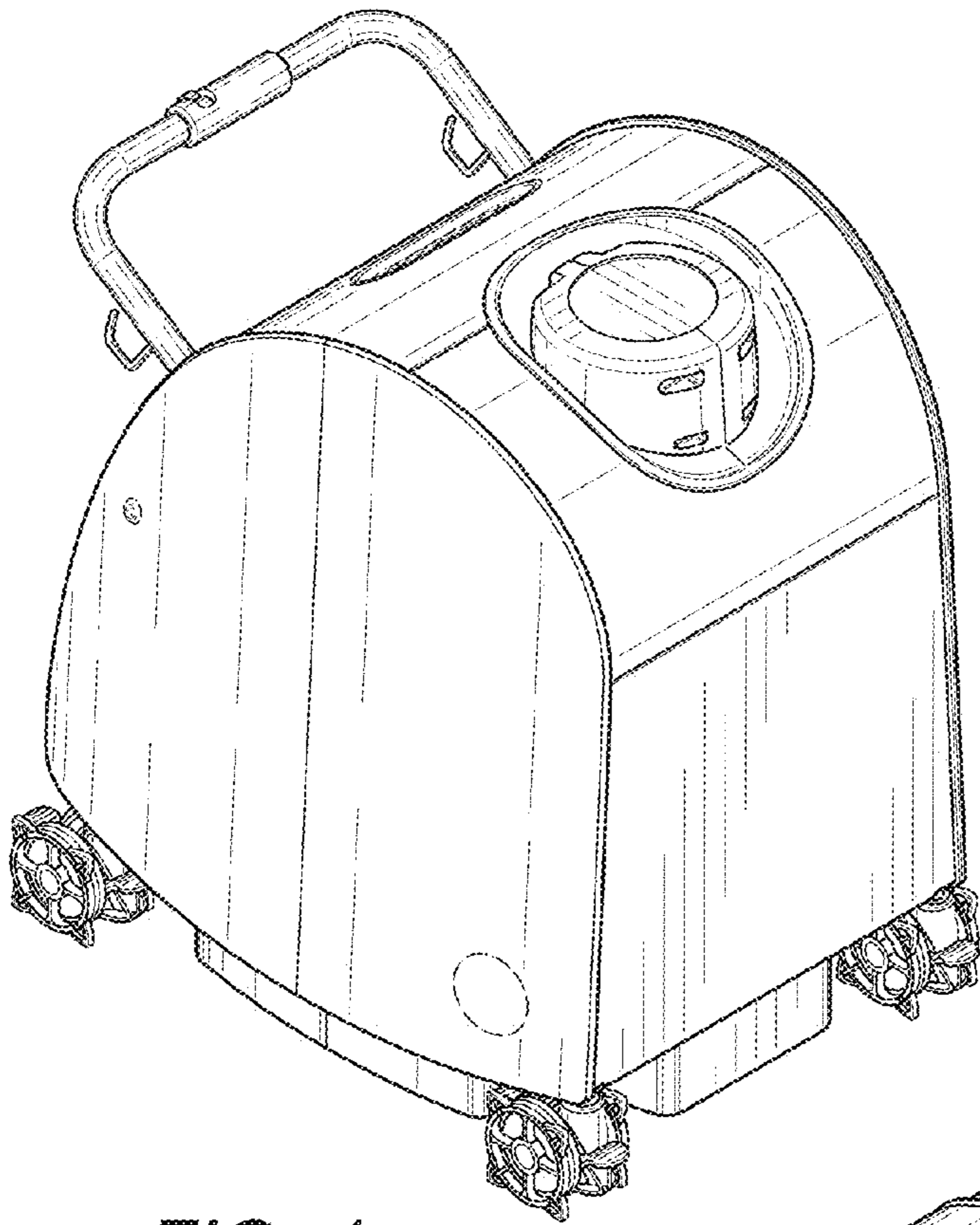


FIG. 1

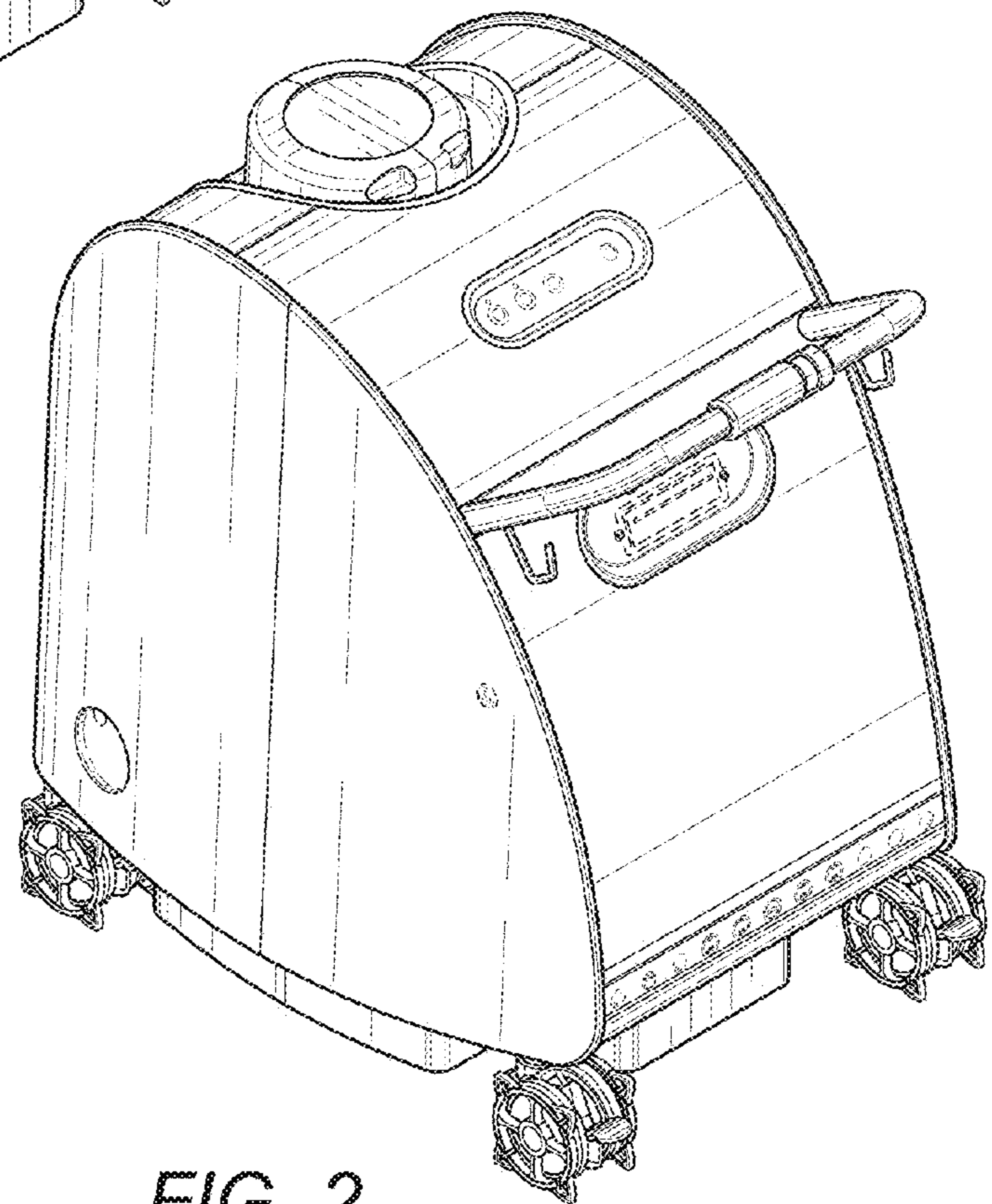


FIG. 2

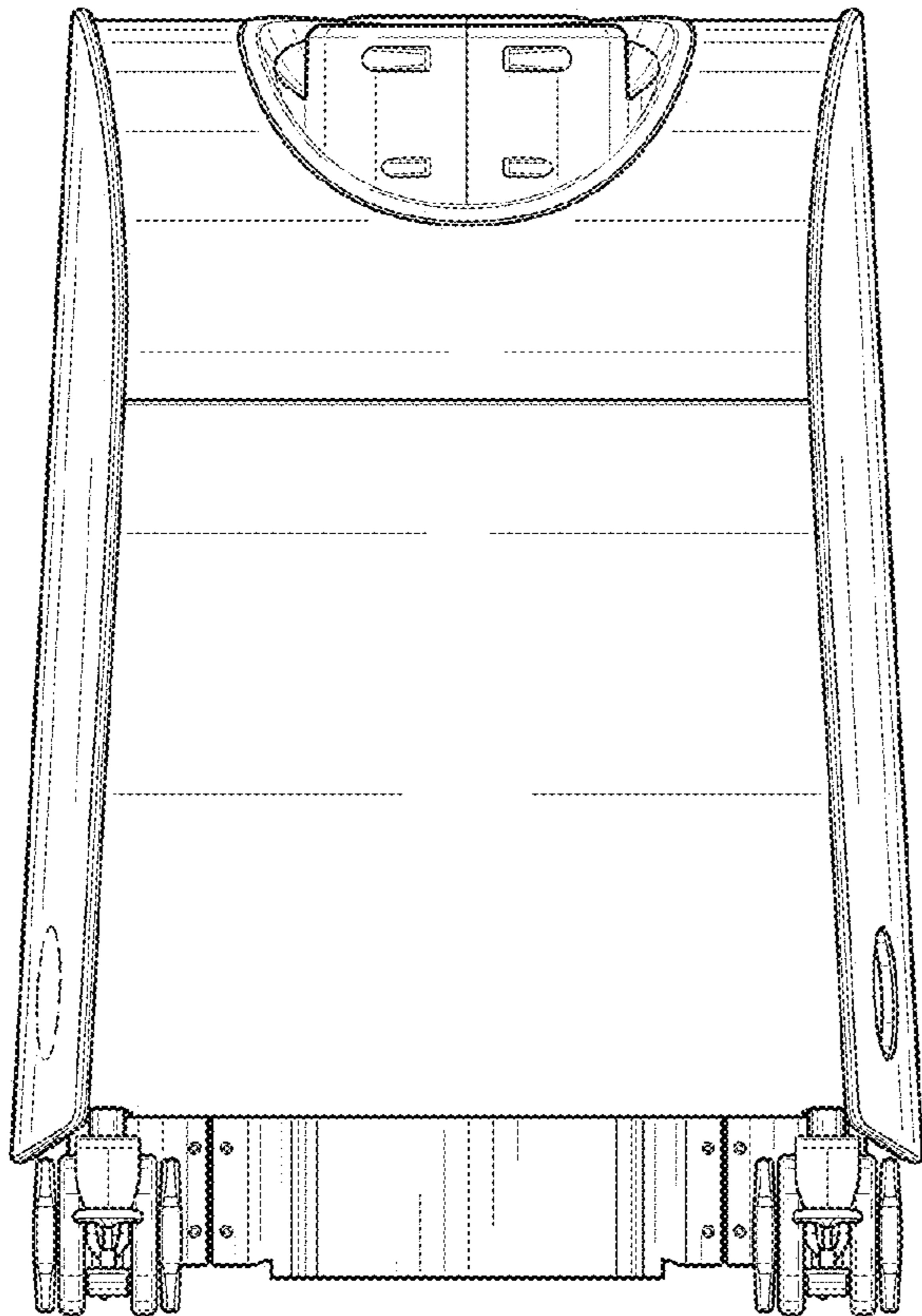


FIG. 3

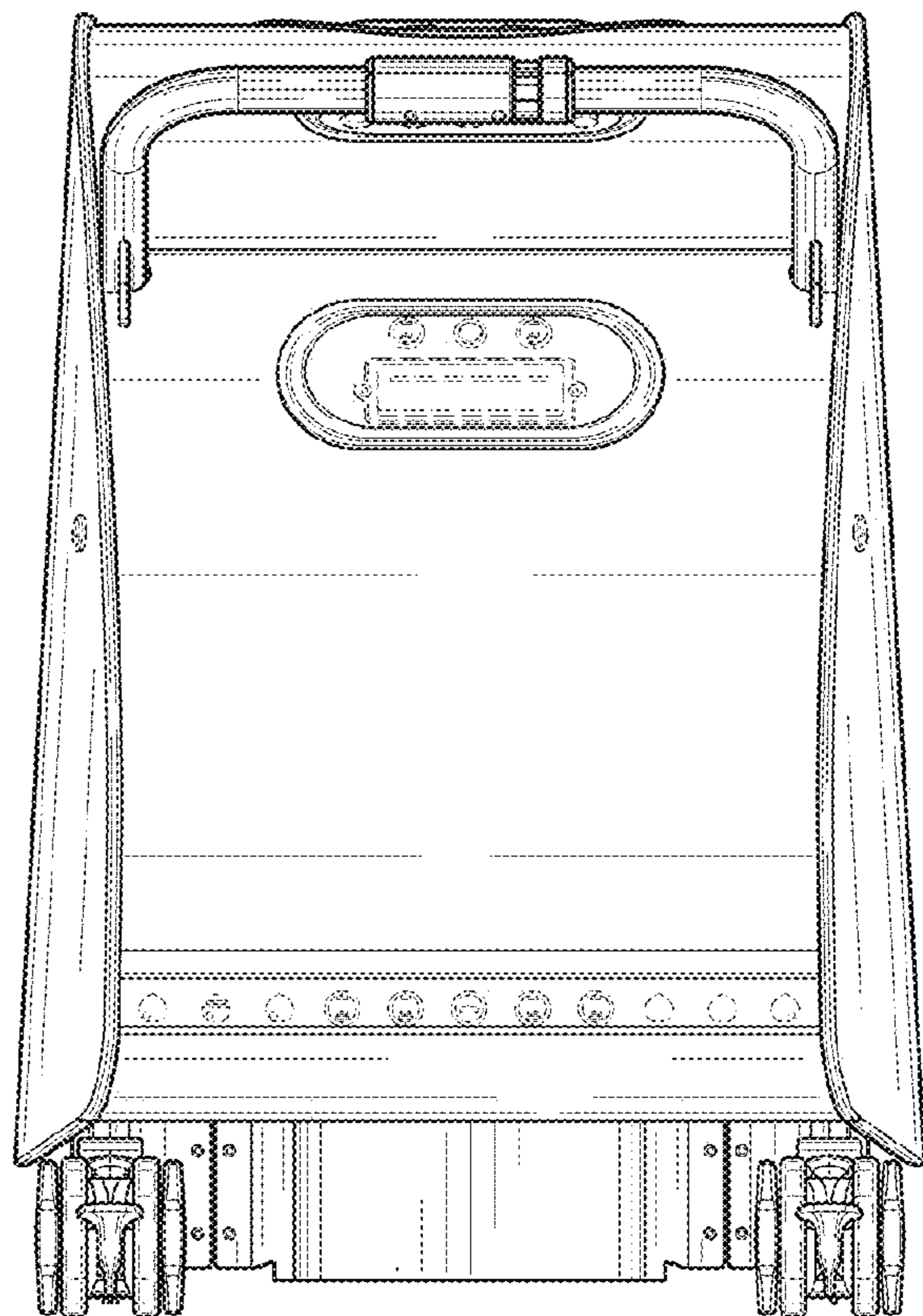


FIG. 4

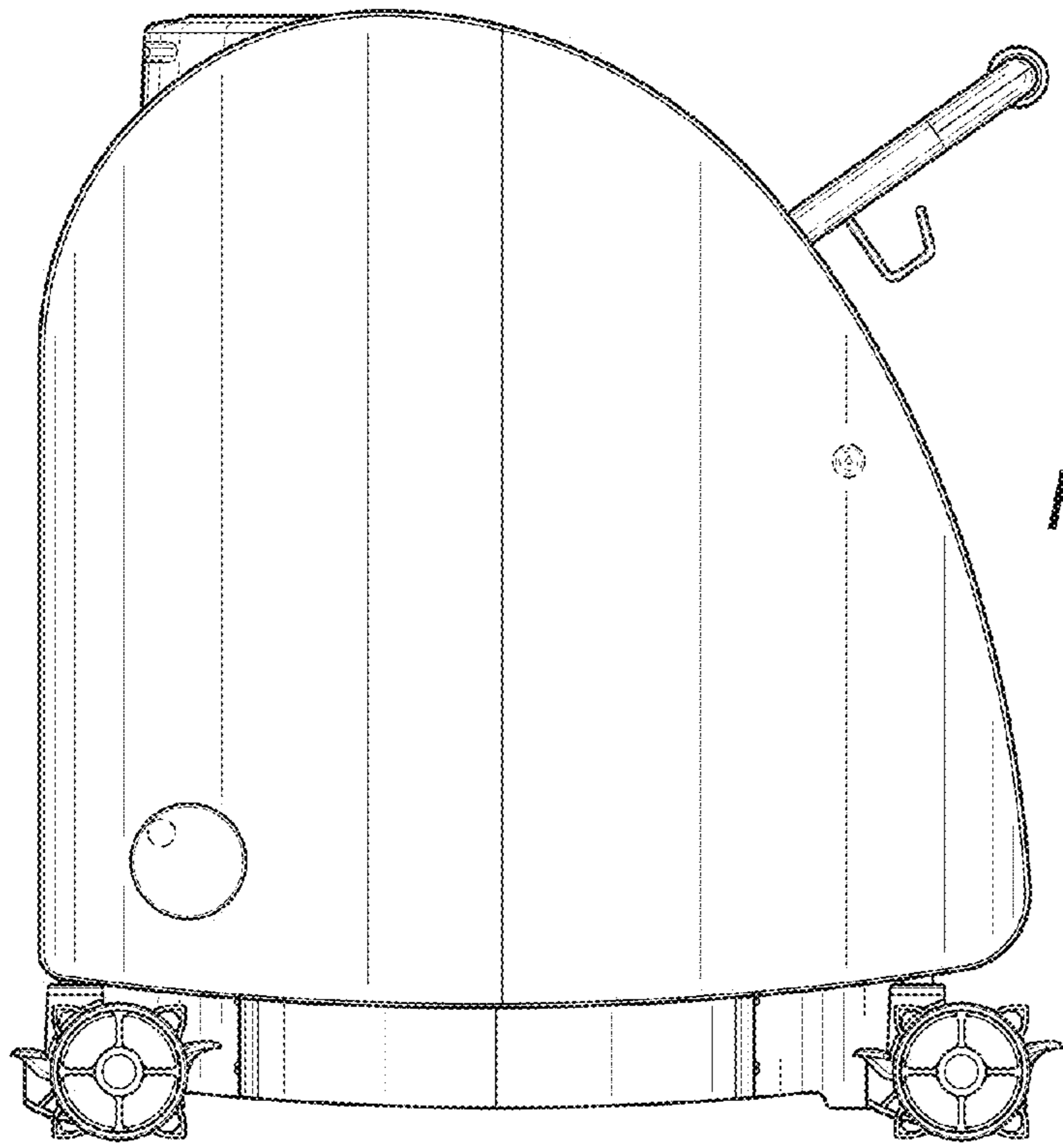


FIG. 5

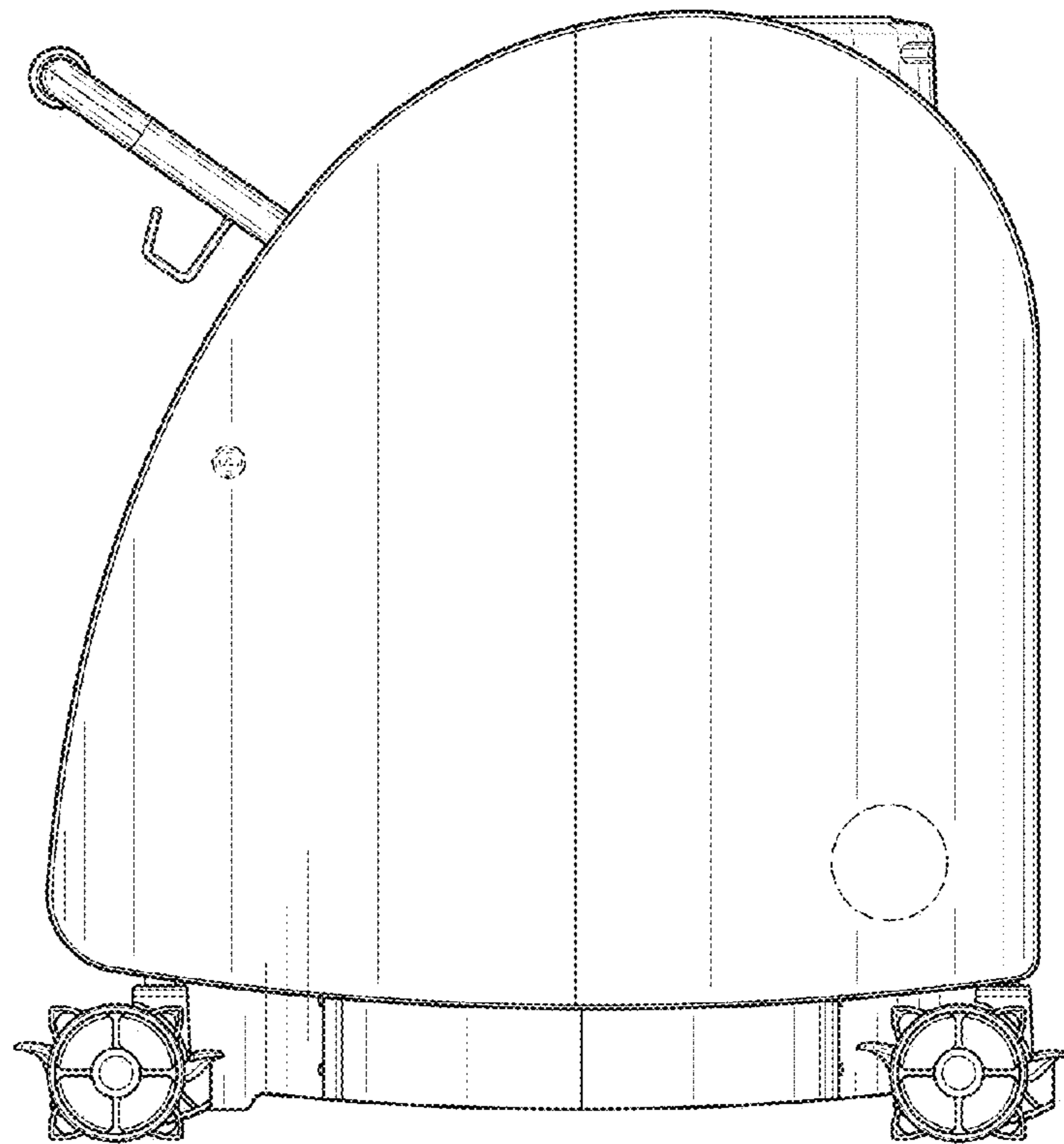


FIG. 6

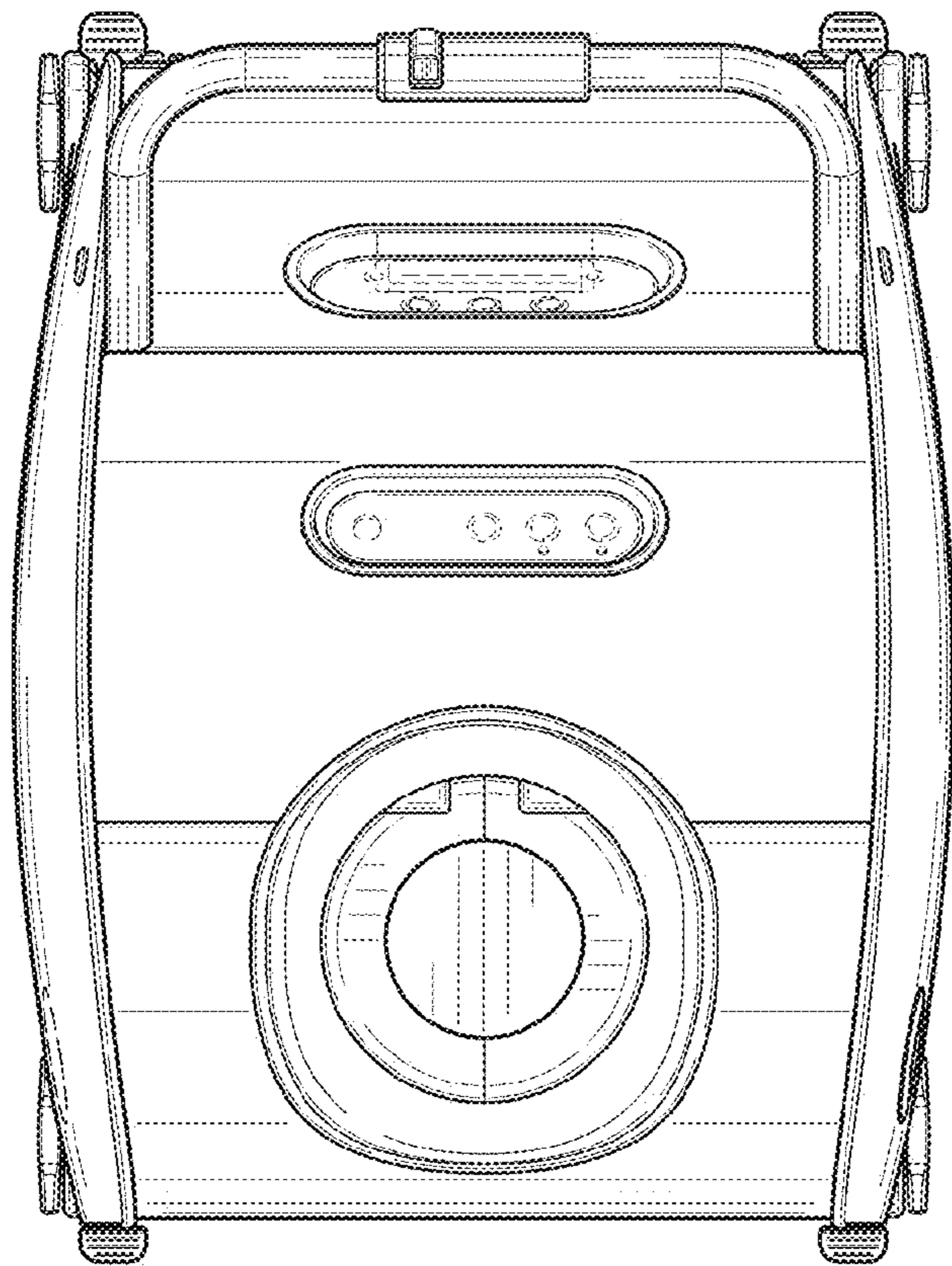


FIG. 7

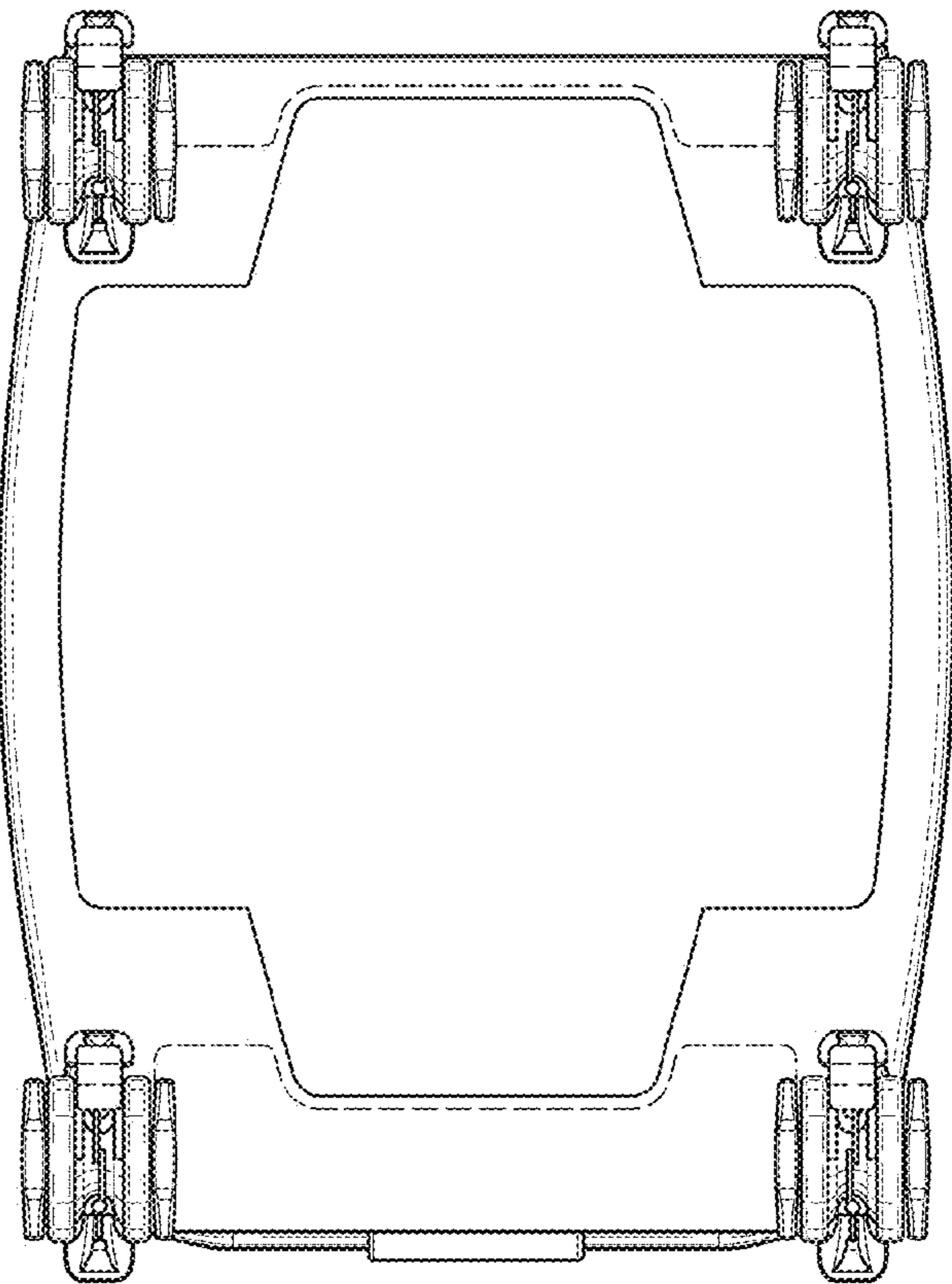


FIG. 8