



US00D981556S

(12) **United States Design Patent**  
**Shova et al.**

(10) **Patent No.:** **US D981,556 S**  
(45) **Date of Patent:** **\*\* Mar. 21, 2023**

(54) **RESPIRATOR**

FOREIGN PATENT DOCUMENTS

(71) Applicant: **ADVENTIST HEALTH SYSTEM/SUNBELT, INC.**, Altamonte Springs, FL (US)

CN 304876938 \* 11/2018  
CN 306170528 \* 11/2020  
EM 008211445-0001 \* 11/2020

(72) Inventors: **Bryan Martin Shova**, Windermere, FL (US); **Thomas Aldinger**, Winter Park, FL (US); **Jordan Jones**, Orlando, FL (US); **Jungin Park**, Altamonte Springs, FL (US); **Mike L. Johnson**, Maple Plain, MN (US); **Steven Hamblin**, Daleville, VA (US)

OTHER PUBLICATIONS

“3m: Half Facepiece”. Found online at Amazon.com. Aug. 11, 2022. Reference dated Oct. 14, 2005. Retrieved from <https://www.amazon.com/3M-Respirator-6200-Respiratory-Protection/dp/B007JZ1N00/>.\*

(Continued)

(73) Assignee: **ADVENTIST HEALTH SYSTEM/SUNBELT, INC.**, Altamonte Springs, FL (US)

*Primary Examiner* — Kendra Leslie Hamilton  
*Assistant Examiner* — Elizabeth S Struble

(74) *Attorney, Agent, or Firm* — McCarter & English, LLP

(\*\*) Term: **15 Years**

(57) **CLAIM**

(21) Appl. No.: **29/768,241**

The ornamental design for a respirator, as shown and described.

(22) Filed: **Jan. 28, 2021**

(51) **LOC (14) Cl.** ..... **29-02**

(52) **U.S. Cl.**  
USPC ..... **D24/110.1**

(58) **Field of Classification Search**  
USPC ..... D24/110, 110.1, 110.2, 110.3, 110.4, D24/110.5, 110.6, 129, 162, 164; D29/102, 105, 106, 107, 108, 110  
CPC .. A61M 16/00; A61M 16/06; A61M 16/0616; A61M 16/0622; A61M 2202/0208; A62B 18/006; A62B 7/10;

(Continued)

**DESCRIPTION**

FIG. 1 is a top, right perspective view of a respirator, showing our new design;  
FIG. 2 is a front elevation view;  
FIG. 3 is a rear elevation view thereof;  
FIG. 4 is a right side elevation view thereof;  
FIG. 5 is a left side elevation view thereof;  
FIG. 6 is a top plan view thereof;  
FIG. 7 is a bottom plan view thereof;  
FIG. 8 is a top, front perspective view of the respirator of FIG. 1, shown without a filter assembly for clarity of disclosure;  
FIG. 9 is an top, front perspective view of the respirator of FIG. 1, shown exploded for clarity of disclosure;  
FIG. 10 is a top, right perspective view of the respirator of FIG. 1, shown in a condition of use; and,  
FIG. 11 is a bottom, right perspective view thereof.

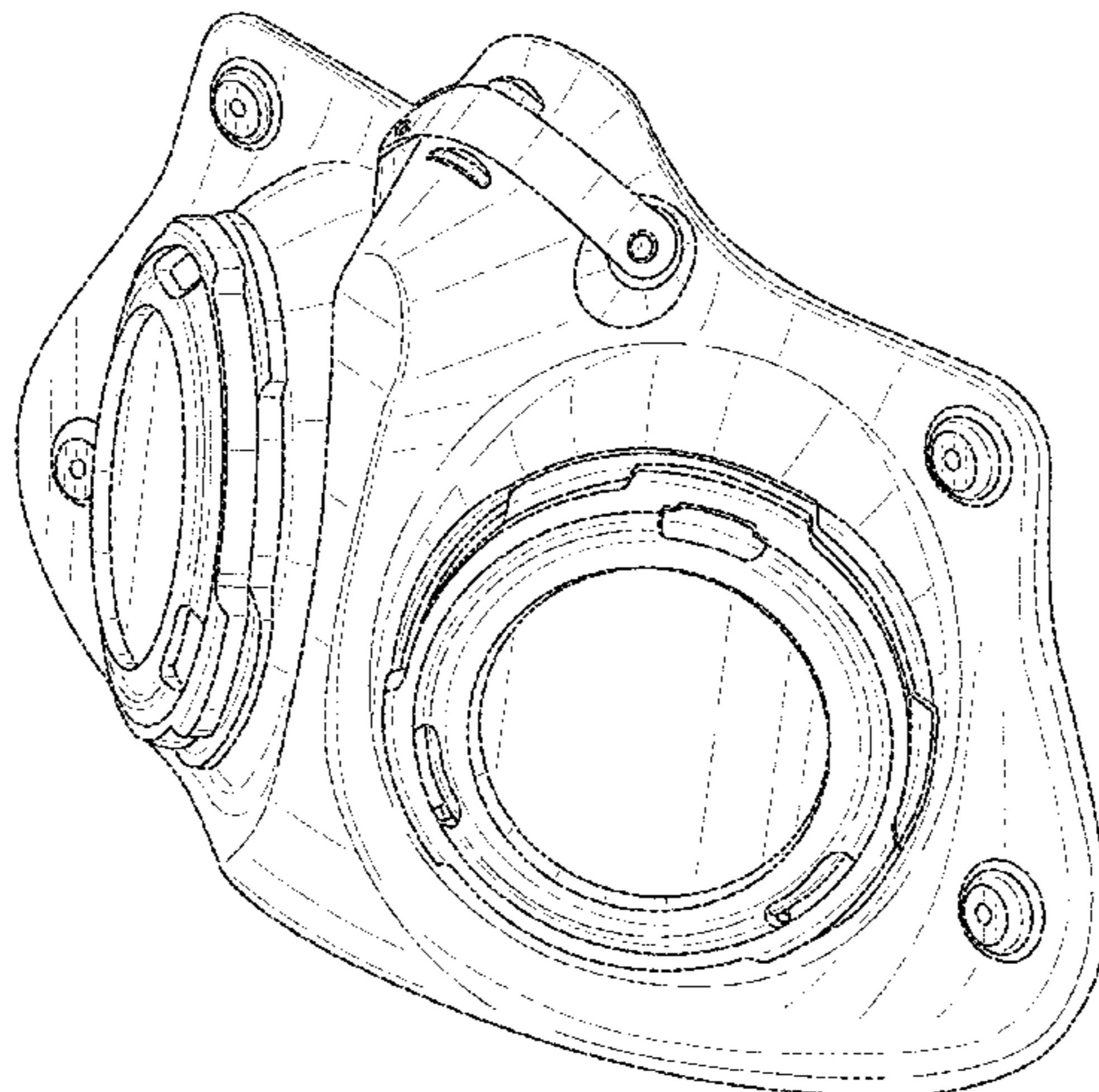
(Continued)

(56) **References Cited**

U.S. PATENT DOCUMENTS

2,738,788 A \* 3/1956 Matheson ..... A62B 18/08  
128/201.19  
2,999,498 A \* 9/1961 Matheson ..... A62B 18/025  
128/206.15

(Continued)



The broken lines in the drawings depict environmental subject matter that forms no part of the claimed design.

**1 Claim, 11 Drawing Sheets**

**(58) Field of Classification Search**

CPC ..... A62B 18/045; A62B 18/08; A62B 18/04;  
A62B 18/02; A62B 18/00; A62B 23/025;  
A62B 23/02; A62B 18/025; A62B 3/288;  
A62B 3/286; A41D 13/11; A41D  
13/1107; A41D 13/1161; A41D 13/1169;  
A41D 2400/52; A41D 13/1176

See application file for complete search history.

**(56) References Cited**

**U.S. PATENT DOCUMENTS**

3,124,130	A *	3/1964	Klinger .....	A62B 18/08 128/201.19
D271,246	S *	11/1983	Matheson .....	D24/110.4
D286,213	S *	10/1986	Maryyanek .....	D24/110.1
4,850,346	A *	7/1989	Michel .....	A62B 18/10 128/206.17
D326,540	S *	5/1992	Scholey .....	D24/110.1
6,817,362	B2	11/2004	Gelinas et al.	
7,028,687	B1	4/2006	Silver et al.	
7,077,139	B2	7/2006	Amante et al.	
9,248,248	B2	2/2016	Virr et al.	
9,827,723	B2	11/2017	Klockseth	
D849,239	S *	5/2019	Gerson .....	D24/110.1
D885,676	S *	5/2020	Yuan .....	D29/108
2009/0000624	A1	1/2009	Lee et al.	
2012/0199130	A1	8/2012	Euvrard et al.	
2014/0238392	A1	8/2014	Johnston et al.	

2014/0345607	A1 *	11/2014	Skov .....	A62B 7/10 128/202.22
2015/0107596	A1 *	4/2015	Mashiko .....	A62B 18/08 128/206.15
2016/0030778	A1 *	2/2016	Skov .....	A62B 18/025 128/206.15
2018/0289988	A1 *	10/2018	Gerson .....	A41D 13/1161
2020/0222653	A1	7/2020	Chang	
2020/0289859	A1	9/2020	Malloy et al.	

**OTHER PUBLICATIONS**

“3m: Respirator Half Mask”. Found online at Amazon.com. Aug. 11, 2022. Reference dated Jan. 1, 2010. Retrieved from <https://www.amazon.co.uk/3M-Maintenance-Free-Half-Respirator/dp/B000VDPNCQ?th=1>.\*

“3m: Reusable Respirator”. Found online at Amazon.com. Aug. 11, 2022. Reference dated Oct. 2, 2000. Retrieved from <https://www.amazon.com/3M-Facepiece-Respirator-Respiratory-Protection/dp/B008MCUT86>.\*

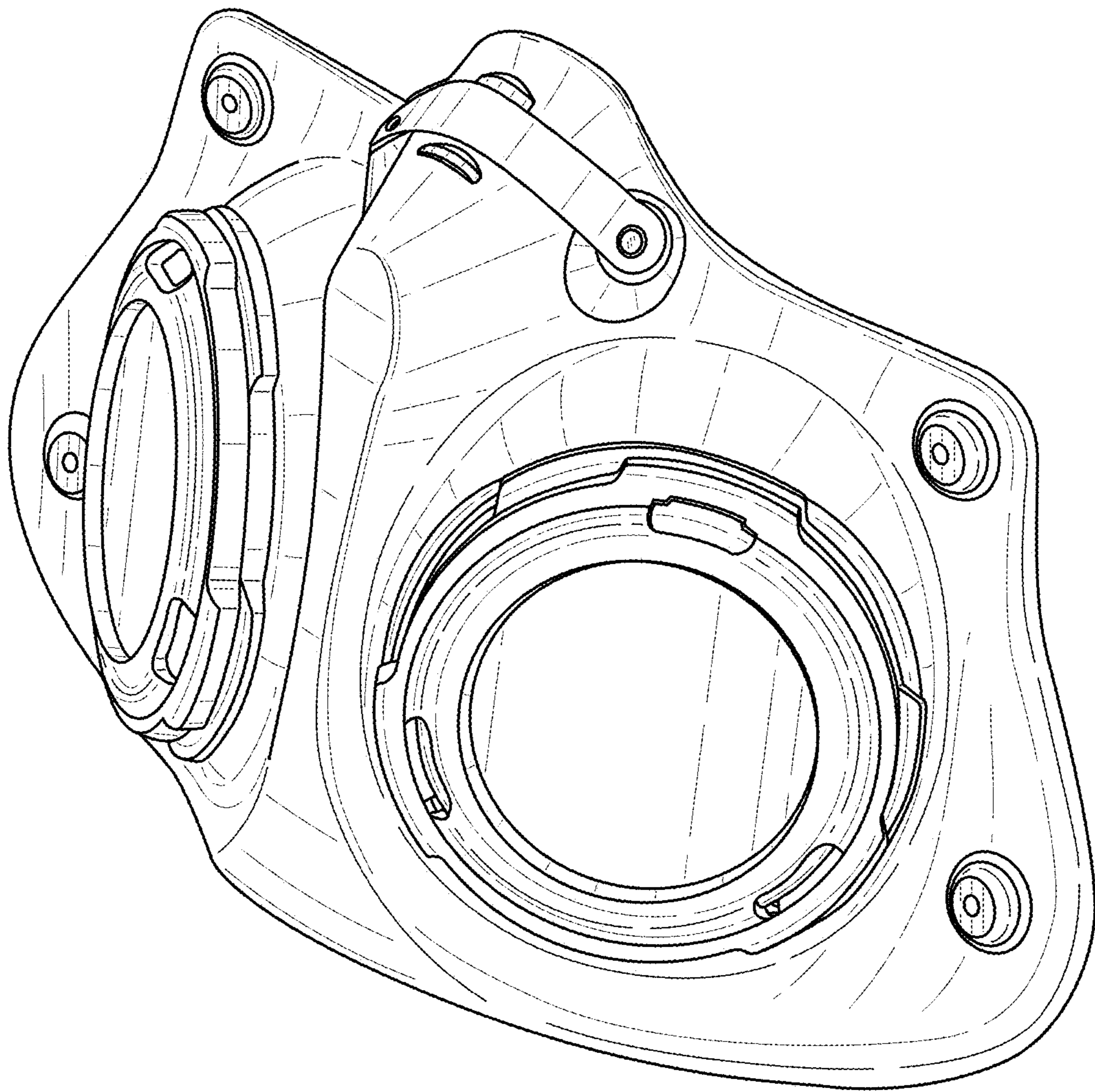
“Flightech: Dust Mask”. Found online at Amazon.com. Aug. 11, 2022. Reference dated Jul. 24, 2020. Retrieved from <https://www.amazon.com/FIGHTECH-Pollution-Woodworking-Washable-Reusable/dp/B08DL DY LKB/>.\*

CleanSpace Respirators. CleanSpace2 Powered Respirator. May 5, 2021. 4 pages. Retrieved online at: <https://cleanspacetechnology.com/cleanspace-2/>.

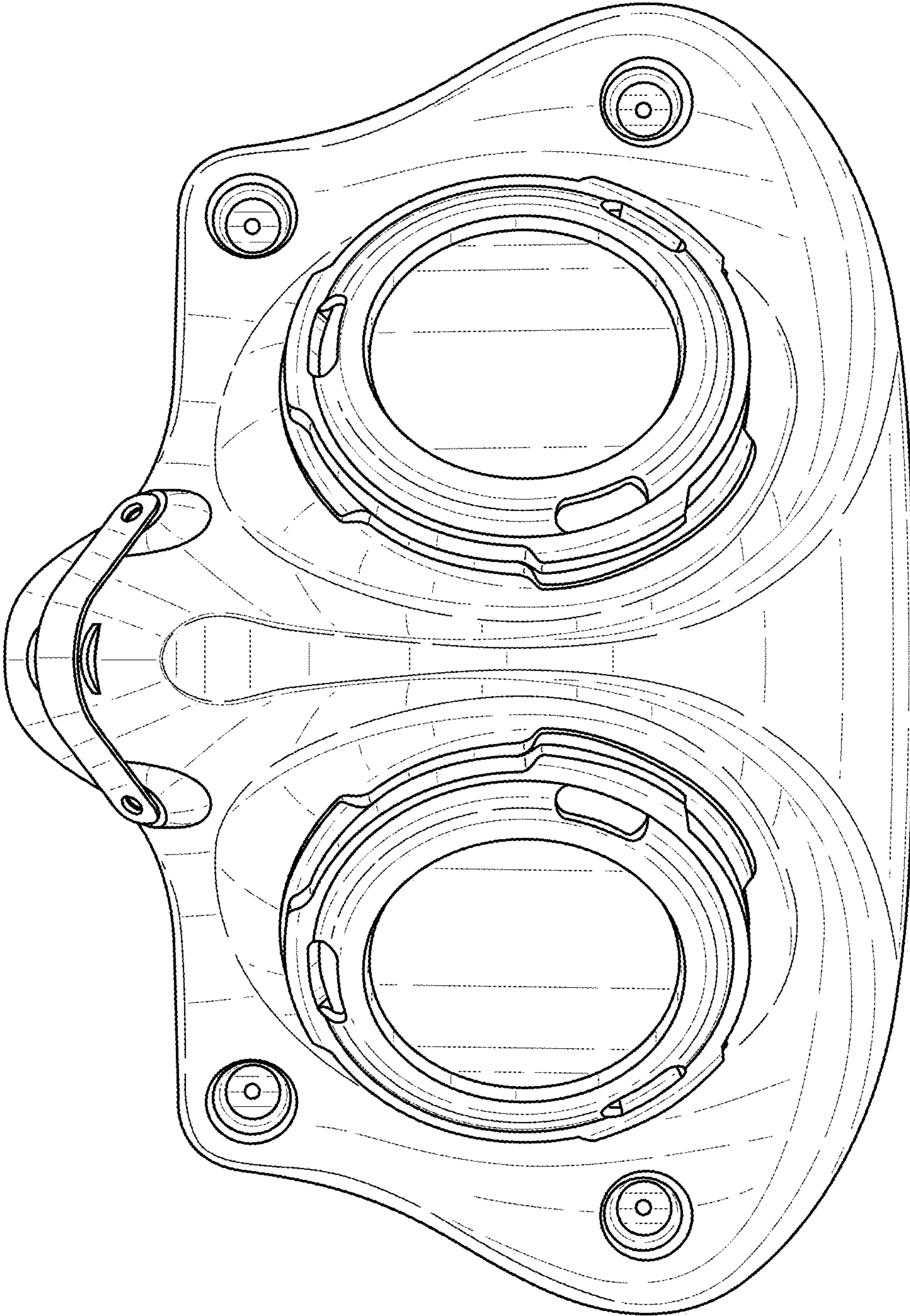
Trafton. Engineers design a reusable, silicone rubber face mask. MIT News Office. Jul. 9, 2020, 7 pages. Retrieved online at: <https://news.mit.edu/2020/reusable-silicone-rubber-face-mask-0709>.

Vogmask Product Families, Non-Valved Vogmasks. May 5, 2021. 7 pages. Retrieved online at: <https://www.vogmask.com/pages/technical>.

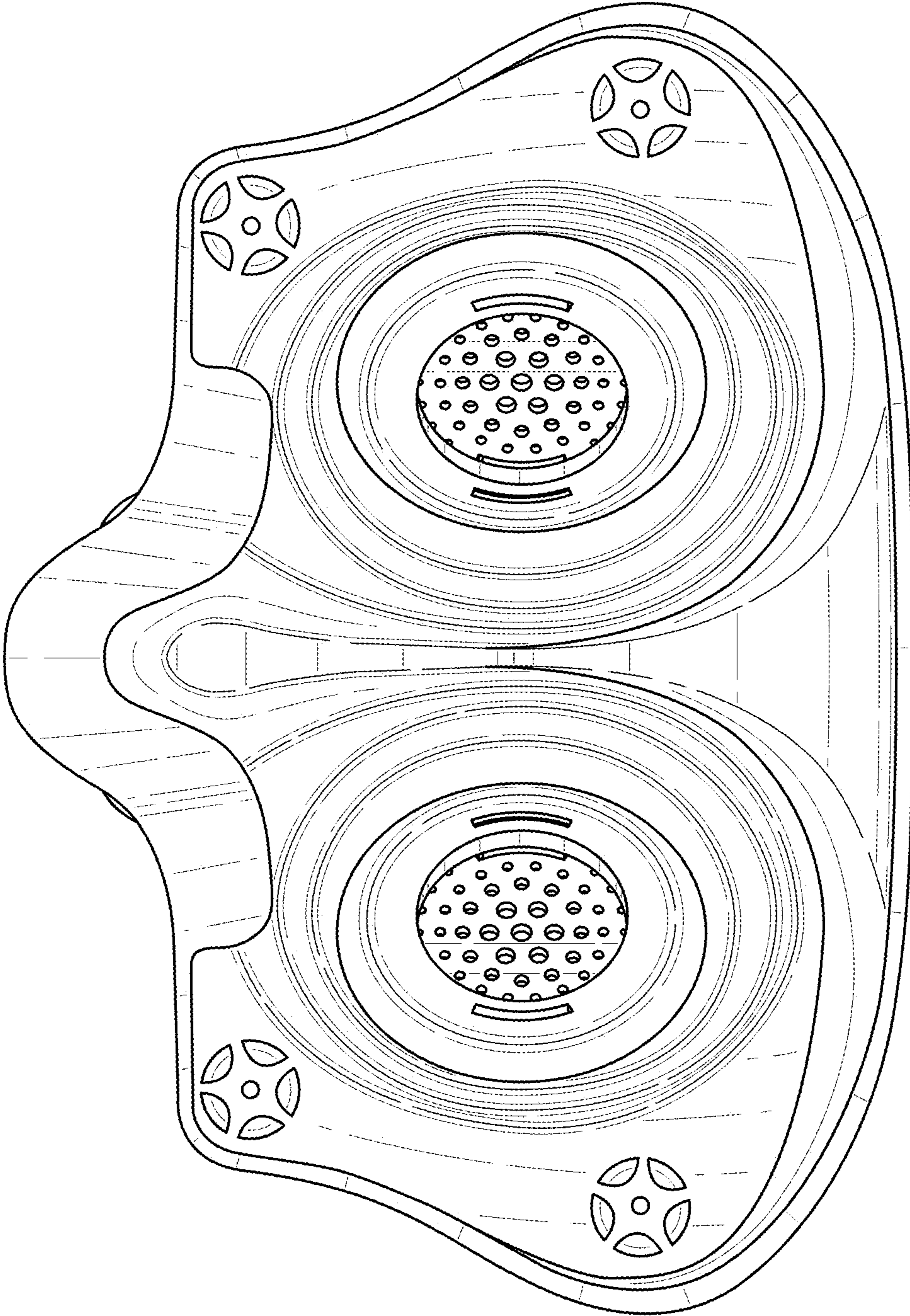
\* cited by examiner



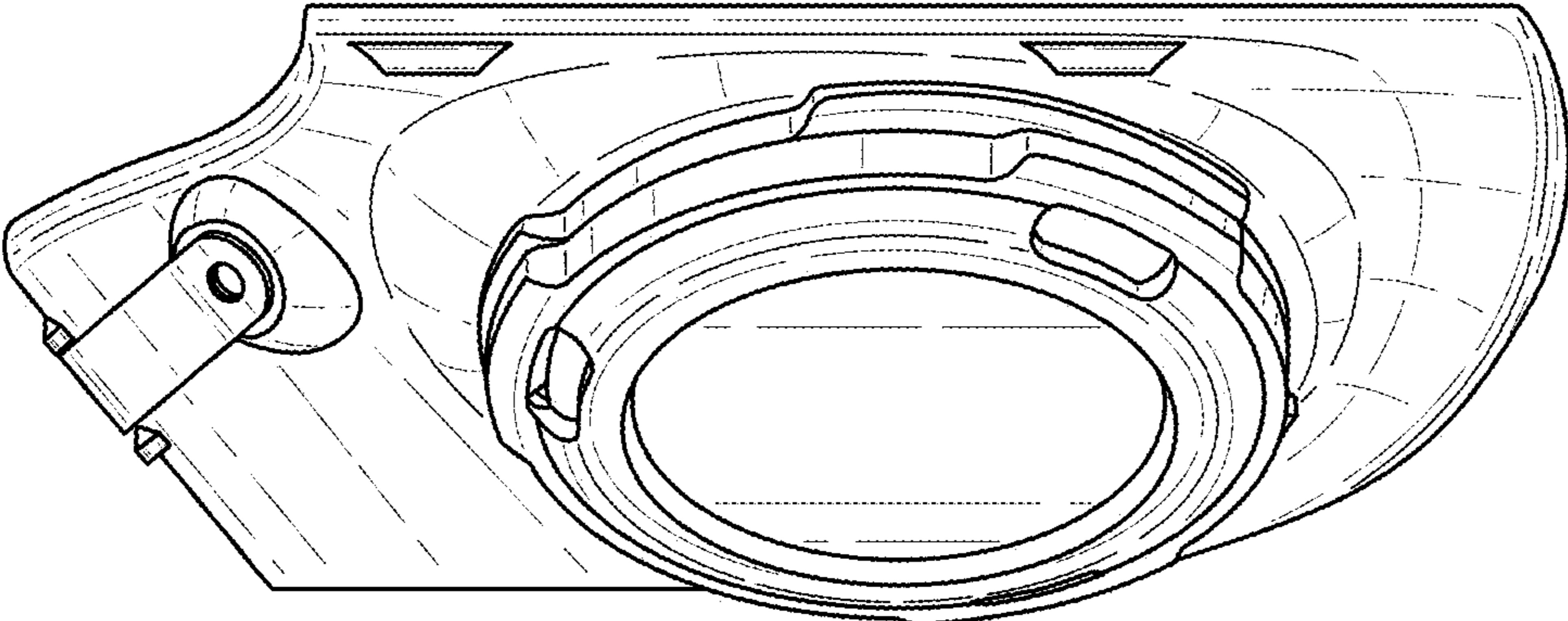
**FIG. 1**



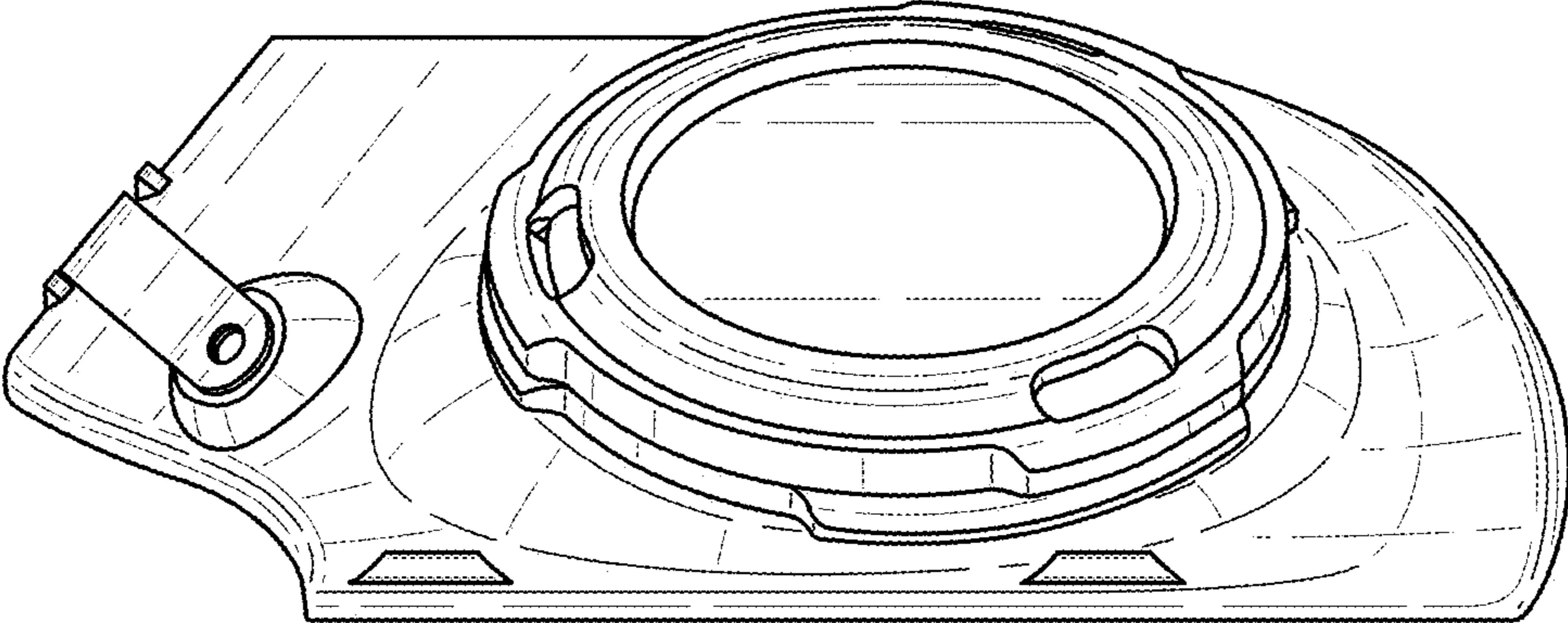
**FIG. 2**



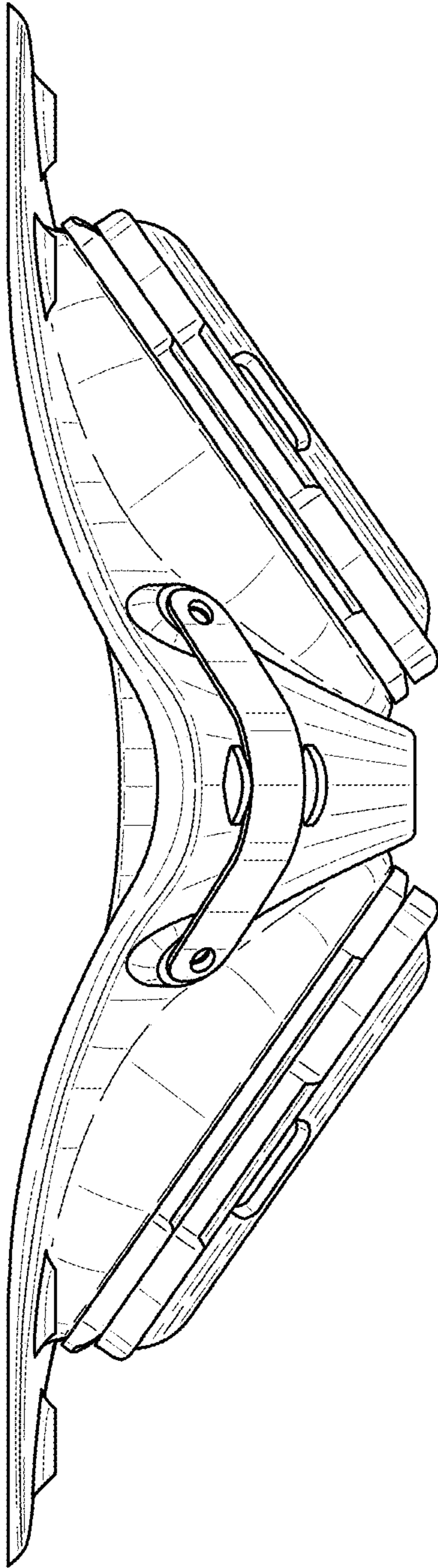
**FIG. 3**



**FIG. 4**

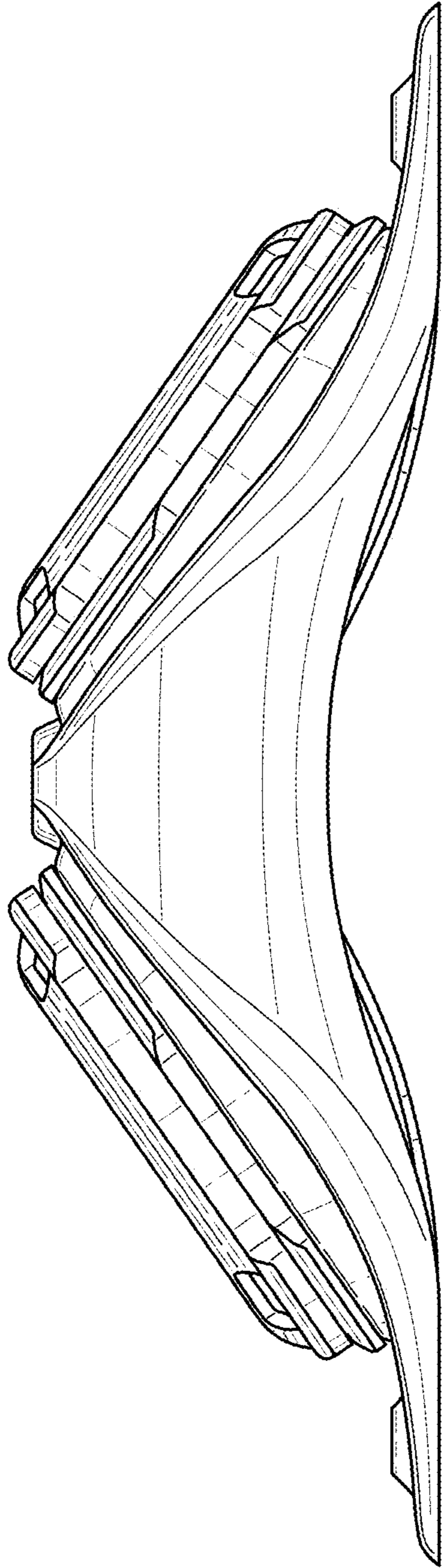


**FIG. 5**

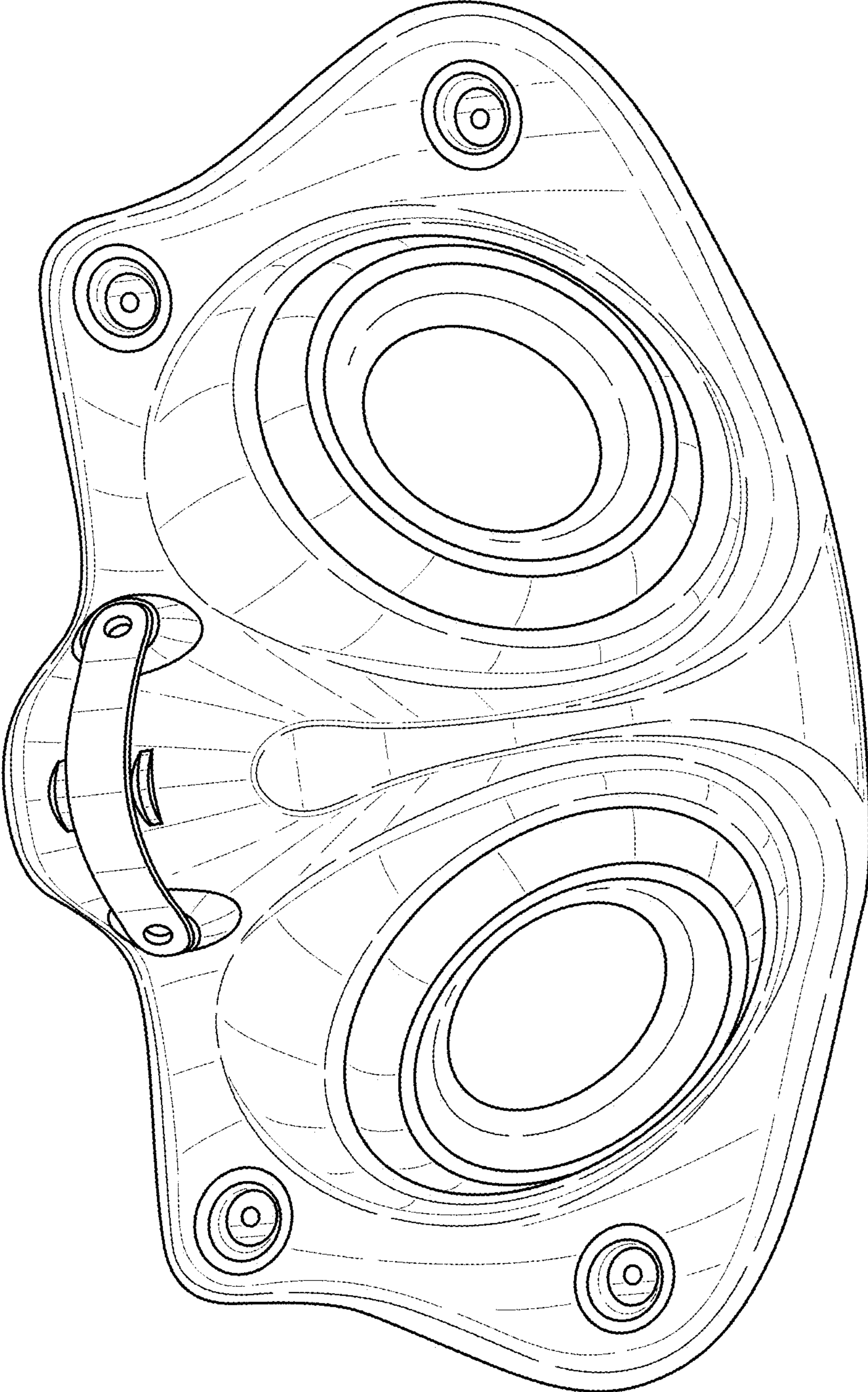


**FIG. 6**

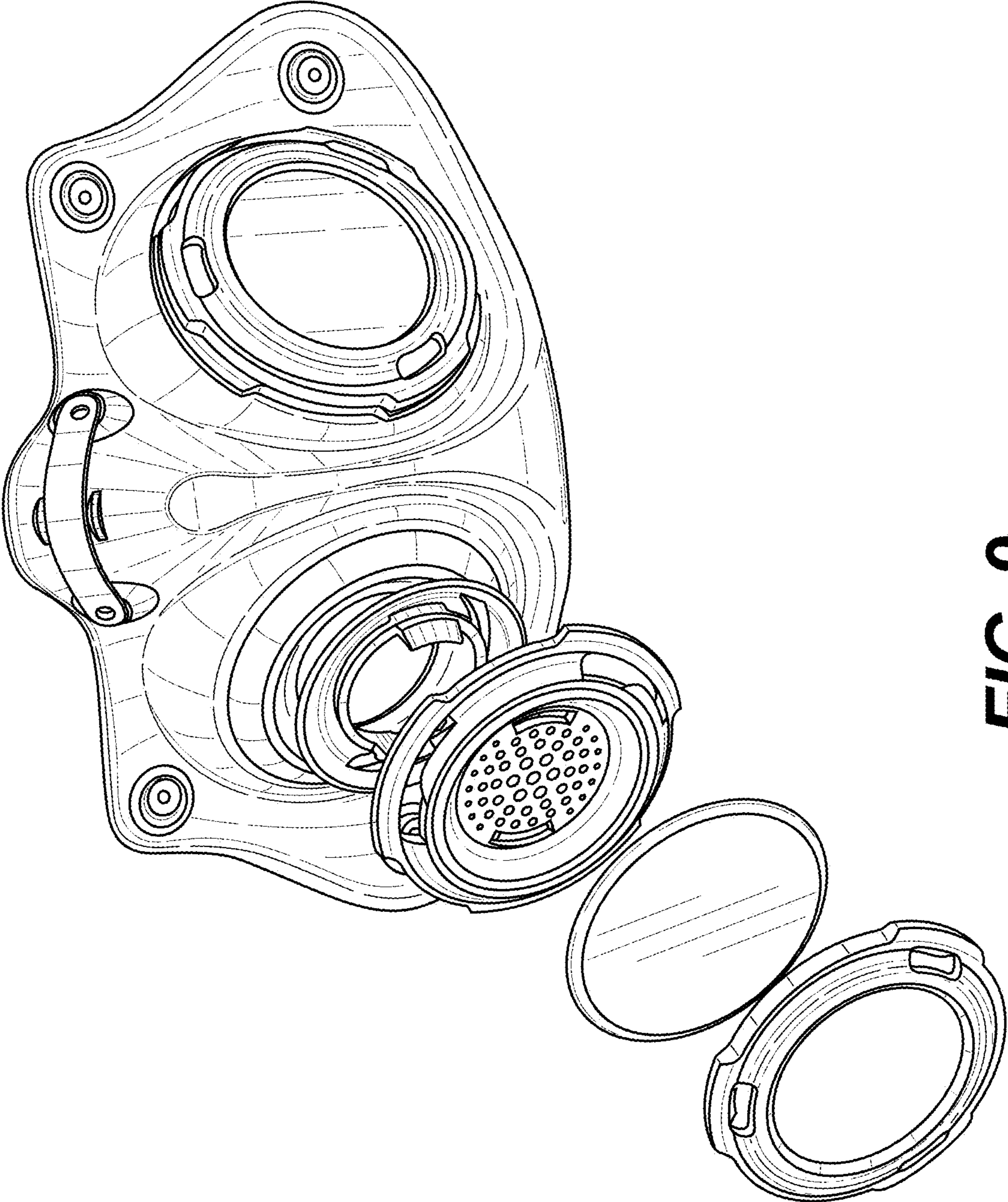




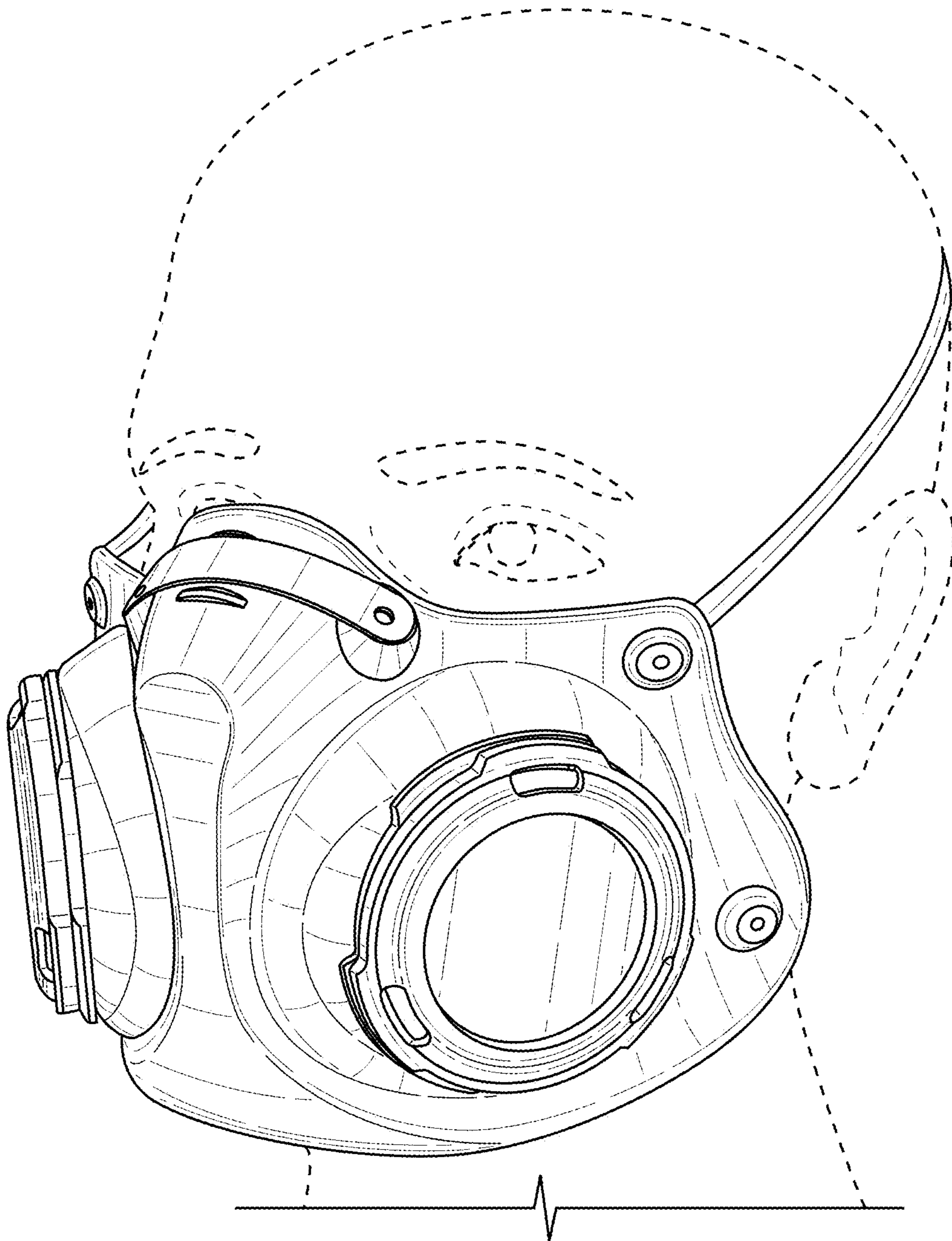
**FIG. 7**



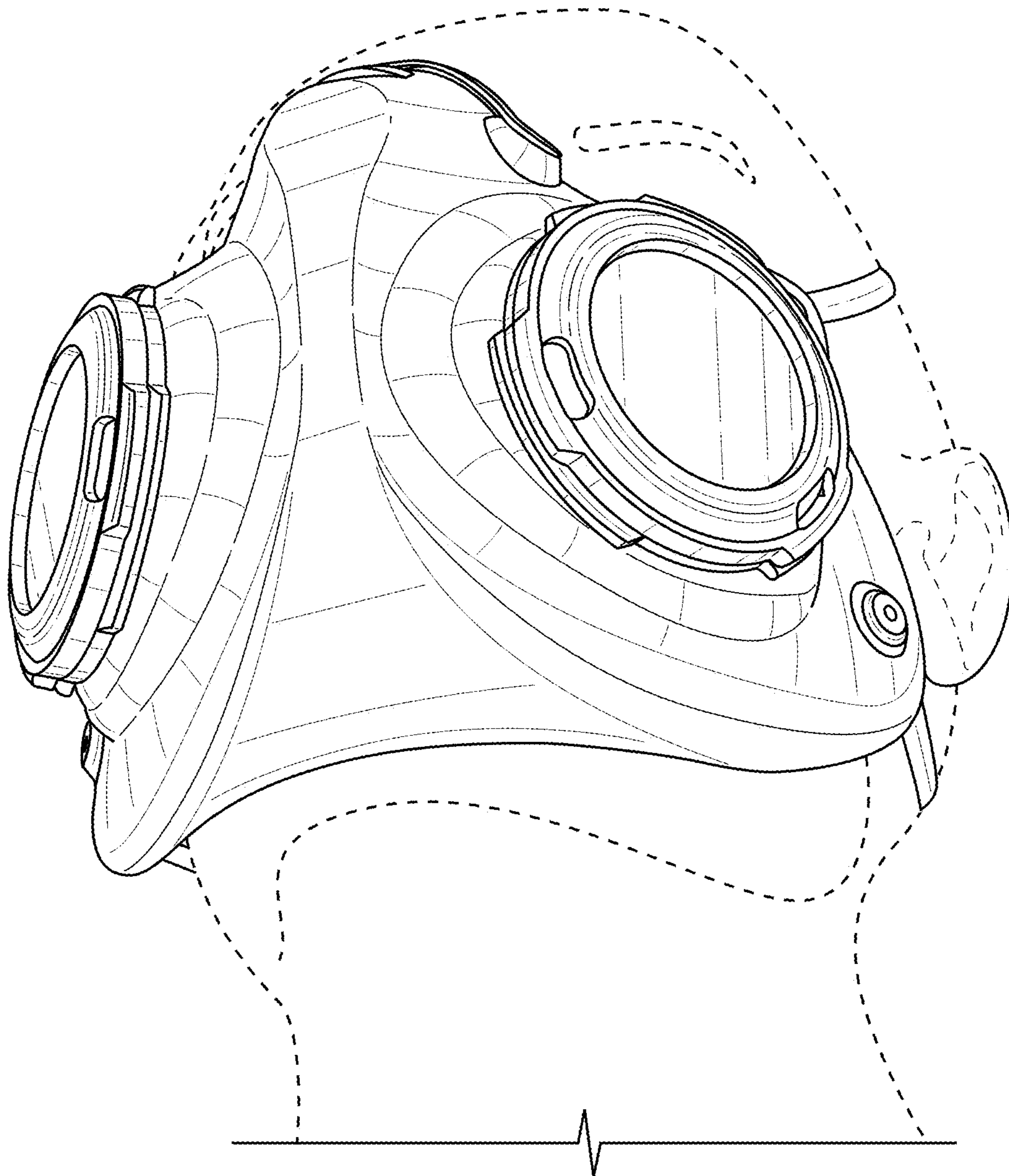
**FIG. 8**



**FIG. 9**



**FIG. 10**



**FIG. 11**